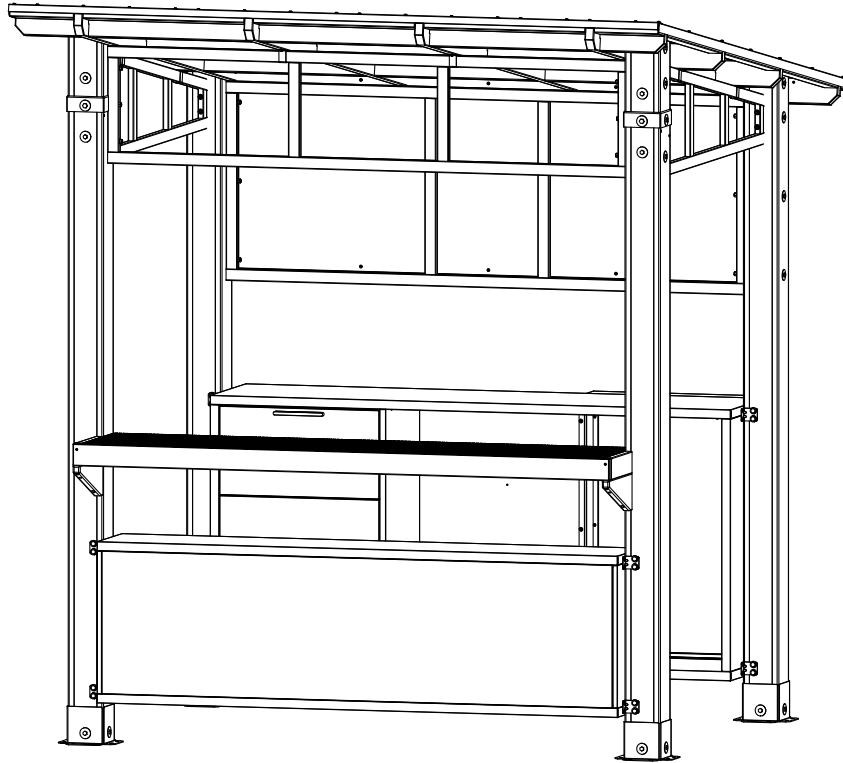


2.33 m (7.6 ft) x 2.33 m (7.6 ft) Backyard Cantina

Installation and Operating Instructions – YM12662

ITM. / ART. 1807228



IMPORTANT, RETAIN FOR FUTURE REFERENCE: READ CAREFULLY
THIS ITEM IS INTENDED FOR OUTDOOR DOMESTIC USE ONLY.
NOT FOR COMMERCIAL USE.

HEIGHT:
2.59 m / 8.5 ft

Revised 09-30-2024

YARDISTRY®

Yardistry – North America
Toll Free Customer Support:

1.888.509.4382

Mon - Fri, 8:30 am - 5:00 pm EST
(excl. holidays)

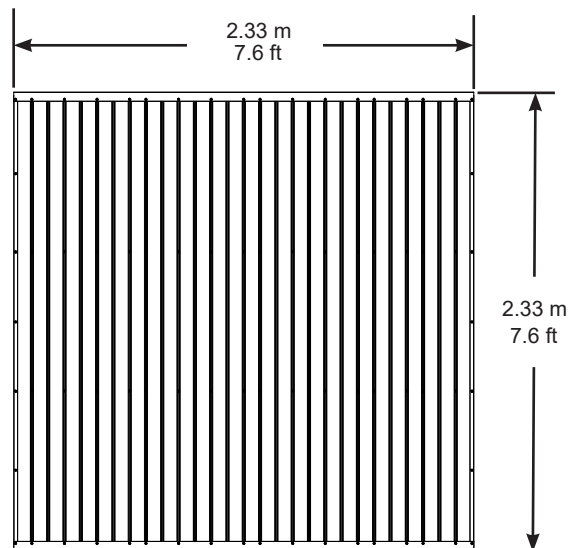
English and French Spoken

For extended hours see our website:

www.yardistrystructures.com

info@yardistrystructures.com

Patents Pending



Important Safety Notice!

Yardistry components are intended for privacy, decorative and ornamental use only.

Product is NOT INTENDED for the following:

- A safety barrier to prevent unsupervised access to pools, hot tubs, spas or ponds.
- As load bearing support for a building, structure, heavy objects or swings.
- Used in structures that trap wind, rain or snow that would create extra load on the product.

Accumulated snow must be removed from roof.

DO NOT climb or walk on roof for any reason.

Permanent structures may require a building permit. As the purchaser and or installer of this product you are advised to consult local planning, zoning and building inspection departments for guidance on applicable building codes and/or zoning requirements.

Wood is NOT flame retardant and will burn. Grills, fire pits and chimineas are a fire hazard if placed too close to a Yardistry structure. Consult user's manual of the grill, fire pit or chiminea for safe distances from combustible materials.

Wear gloves to avoid injury from possible sharp edges of individual elements before assembly.

During installation, follow all safety warnings provided with your tools and use OSHA approved safety glasses. Some structures may require two or more people to install safely.

Check for underground utilities before digging or driving stakes into the ground!

During assembly it is important to closely follow the instructions. Complete the assembly on a solid, level surface and follow the instructions to square up, level and anchor the structure. This will reduce the gaps at wood connections during assembly.

General Information

General Information: Wood components are manufactured with premium outdoor lumber (C. Lanceolata) which is protected with factory applied water-based stain. Knots, small checks (cracks) and weathering are naturally occurring and do not affect the strength of the product. Annual application of a water-based water repellent sealant or stain is important and will help reduce weathering and checks.

www.yardistrystructures.com

Questions?
Call toll free or write us at:
1 (888) 509-4382
support@yardistrystructures.com

Regular Hours: Mon - Fri, 8:30 am - 5:00 pm EST
(excl. holidays)
English and French Spoken
(For extended hours see our website)

www.yardistrystructures.com

Patents Pending

Limited Warranty

Yardistry warrants that this product is free from defect in materials and workmanship for a period of one (1) year from the original date of purchase. In addition, for any product with lumber, all lumber is warranted for five (5) years against rot and decay. This warranty applies to the original owner and registrant and is non-transferable.

Regular maintenance is required to assure the integrity of your product and is a requirement of the warranty. This warranty does not cover any inspection costs.

This Limited Warranty does not cover:

- Labor for replacement of any defective item(s);
- Incidental or consequential damages;
- Cosmetic defects which do not affect performance or integrity;
- Vandalism; improper use or installation; acts of nature, including but not limited to wind, storms, hail, floods, excessive water exposure;
- Minor twisting, warping, checking or any other natural occurring properties of wood that do not affect performance or integrity.

Yardistry products have been designed for safety and quality. Any modifications made to the original product could damage the structural integrity of the product leading to failure and possible injury. Yardistry cannot assume any responsibility for modified products. Furthermore, modification voids any and all warranties.

This product is warranted for RESIDENTIAL USE ONLY. Yardistry disclaims all other representations and warranties of any kind, express or implied.

This Warranty gives you specific legal rights. You may have other rights as well which vary from state to state or province to province. This warranty excludes all consequential damages, however, some states/provinces do not allow the limitation or exclusion of consequential damages, and therefore this limitation may not apply to you.

AUSTRALIA: Our goods come with guarantees that cannot be excluded under the Australian Consumer Law. You are entitled to a replacement or refund for a major failure and for compensation for any other reasonably foreseeable loss or damage. You are also entitled to have the goods repaired or replaced if the goods fail to be of acceptable quality and the failure does not amount to a major failure.

Instructions for Proper Maintenance

Your Yardistry structure is designed and constructed of quality materials. As with all outdoor products it will weather and wear. To maximize the enjoyment, safety and life of your structure it is important that you, the owner, properly maintain it.

HARDWARE:

- Check metal parts for rust. If found, sand and repaint using a non-lead paint complying with 16 CFR 1303.
- Inspect and tighten all hardware after completion of assembly; after first month of use; and then annually. Do not over-tighten as to cause crushing and splintering of wood.
- Check for sharp edges or protruding screw threads, add washers if required.

WOOD PARTS:

- Applying a water repellent or stain (water-based) on a yearly basis is important maintenance to maintain maximum life and performance of the product.
- Check all wood members for deterioration, structural damage and splintering. Sand down splinters and replace deteriorated wood members. As with all wood, some checking and small cracks in grain is normal
- Some gapping may occur at some wood connections.

Assembly Guides

Tools Required: (Not included)

- | | | |
|------------------------------|--------------------|------------------------|
| • Tape Measure | • 8 ft Step Ladder | • 6 ft Step Ladder x 2 |
| • Carpenters Level | • Safety Glasses | • Square |
| • Standard or Cordless Drill | • Adult Helper | • Ratchet |
| • Claw Hammer | • Safety Gloves | • 1/2" Socket |
| • 1/2" Wrench | • Hard Hat | |

Symbols:

Throughout these instructions symbols are provided in the top, right-hand corner of the page.



- Use Help, where this is shown, 2, 3 or 4 people are required to safely complete this step. To avoid injury or damage to the assembly make sure to get some help.



- Use a measuring tape to assure proper location



- Pre-drill a pilot hole before fastening screw or lag to prevent splitting of wood.



- Check the assembly is square before tightening bolts



- Check that the assembly is level



- One or more ladders are required to safely complete this step.

If you dispose of your Yardistry structure: Please disassemble and dispose of your unit so that it does not create any unreasonable hazards at the time it is discarded. Be sure to follow your local waste ordinances.

Assembly Tips

Following are some helpful tips to make the assembly process smooth and efficient.

PRE-ASSEMBLIES:

(i.e. Post and Beam Assemblies, Roof Rafter Assembly, etc)

- Work on a raised, solid and flat surface such as a table or saw horse.
- Keep all connections flush where shown in the instructions.
- When assembling the beams keep parts flat, straight and snug when connecting.

METAL PARTS:

- Roofing material may have sharp edges, wear safety gloves.
- Remove all plastic covering, on both sides of the metal panels, directly before installing each piece.
- Place roofing material on a non-abrasive surface before and after assembly as it can bend, dent and scratch easily.
- The roofing screws can easily crush the roof panels and roof edges when using a power drill. We recommend hand tightening the roofing screws so they sit snug and tight to the roofing material.

Sealant Application Tips, Warning and First Aid Information

SEALANT:

- All surfaces to be clean, dry, dust and grease free before application with temperatures above 5°C (41°F), no warmer than 35°C (95°F).
- Remove cap and cut a small piece off the nozzle for a small bead.
- Apply sealant in small beads and smooth as required.
- To smooth sealant into the joint use a glove covered finger, putty knife, etc. Smooth sealant to create a continuous water-tight seal, diverting water into the gutter with an unimpeded flow into the gutter drain corner.
- Clean excess with a cloth or paper towel before it skins over.
- An initial bond will set in approximately 20 minutes and fully set in 24 hours.

WARNING:

- CAUSES SERIOUS EYE AND SKIN IRRITATION. Always wear safety glasses and rubber gloves when using product.
- KEEP OUT OF REACH OF CHILDREN.
- Prolonged or repeated exposure MAY CAUSE ORGAN DAMAGE. Provide ample ventilation.

FIRST AID:

- If ingested, DO NOT INDUCE VOMITING. Seek immediate medical attention.
- Eye contact: immediately flush eyes with water for at least 15 minutes. Remove contact lenses if present.
- Skin contact; wash thoroughly with soap and water. If eye/skin irritation persists or respiratory symptoms occur or develop, seek medical attention.

Use of this product can expose you to chemicals including Methanol, which is known to the State of California to cause birth defects and other reproductive harm. For more information, go to www.P65Warnings.ca.gov.

Dispose of contents and container in accordance with local regulations.

Permanent Installation Examples

Note: It is critically important you start with square, solid and level footings, concrete pad or deck to attach your Cantina.

We supply Post Mounts with this structure which gives you the flexibility to permanently install your structure to a pre-existing or new wood or concrete surface.

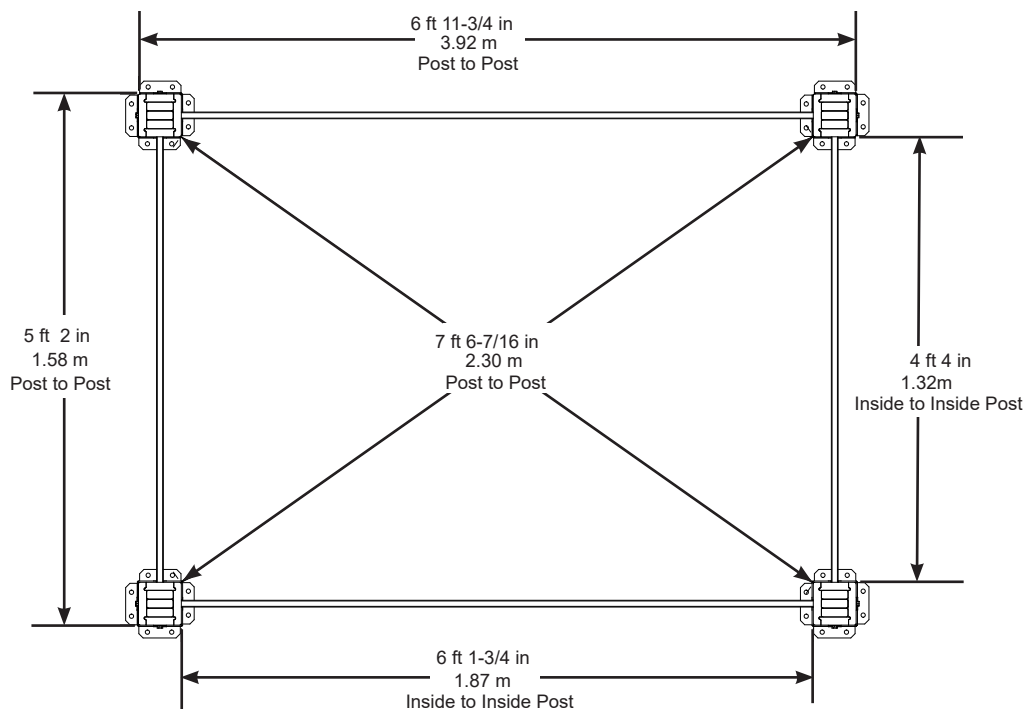
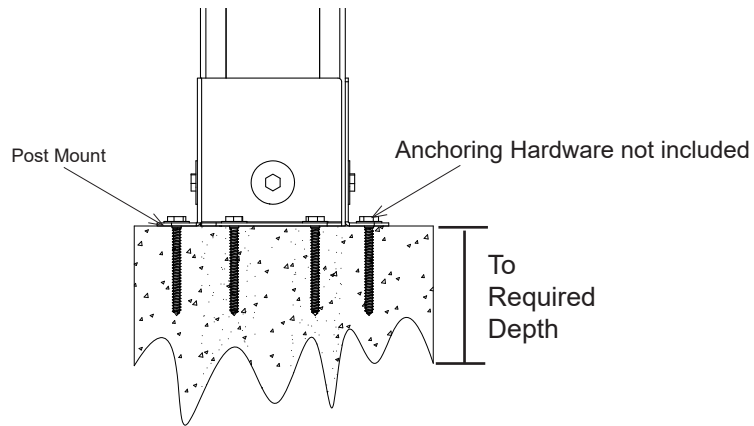
- The hardware to attach the Post Mount to the structure is included.
- The hardware to mount the structure permanently will need to be purchased separately at your local hardware store.

If you are mounting to concrete footers see below for the correct locations and placement. Please double check for possibility of any underground utilities such as gas, telephone, cable or sprinkler lines.

Following are some examples of how to mount the structure to wood or concrete surfaces.

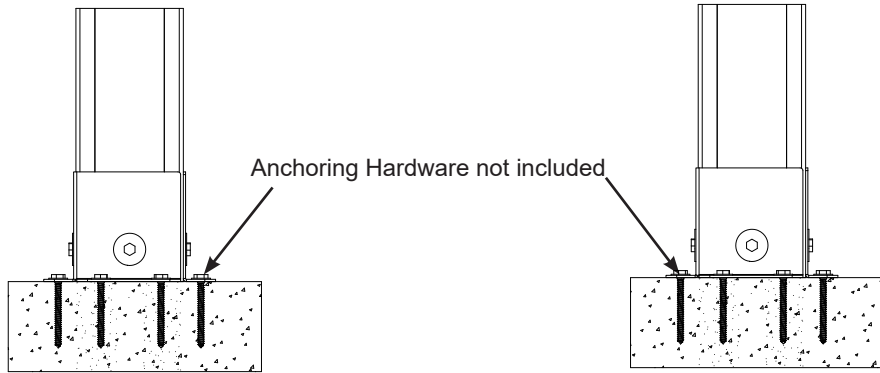
Refer to your local building and city codes, ordinances, neighborhood covenants, or height restrictions regarding this type of structure for guidance on acceptable installation requirements.

Concrete Footer

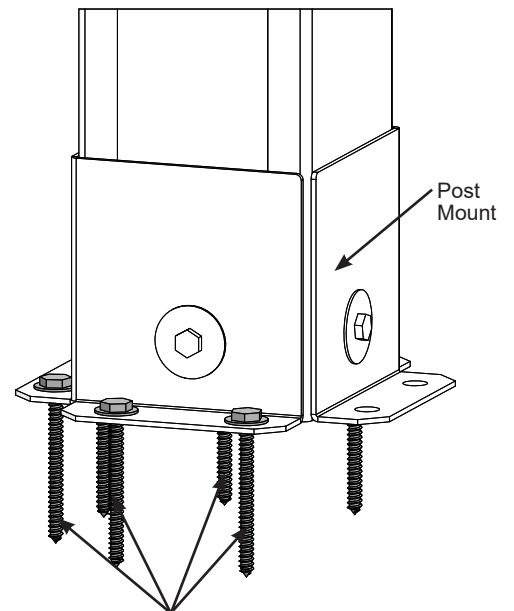
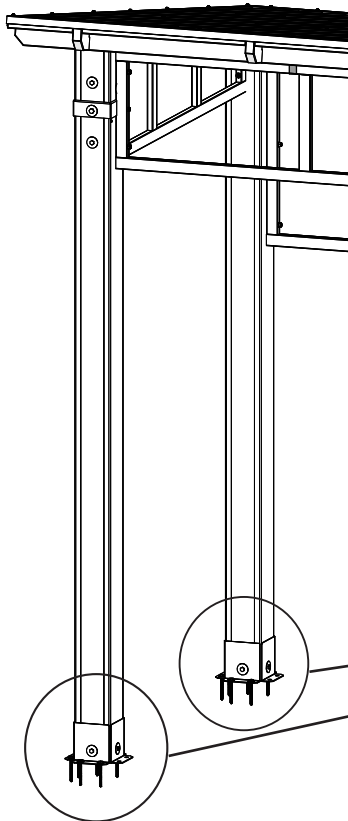
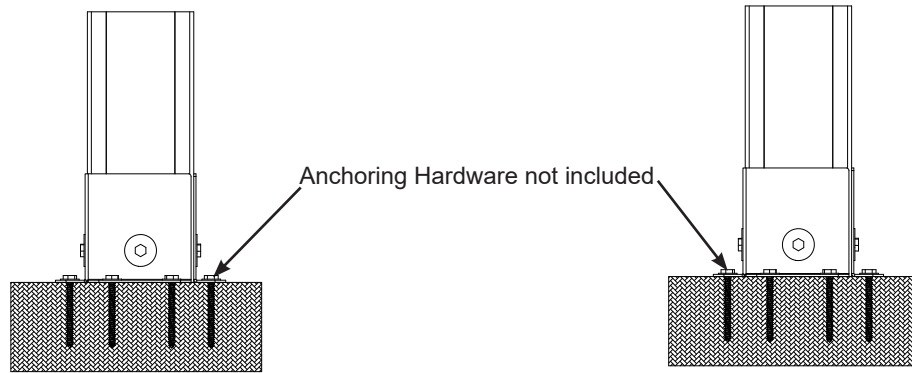


Permanent Installation Examples cont.

Concrete Patio (min. 7 ft 11-3/4 in (2.43 m) x 6 ft 2 in (1.88 m)) with 6 in (15.24 cm) clearance on all sides



Wood Deck (min. 7 ft 11-3/4 in (2.43 m) x 6 ft 2 in (1.88 m)) with 6 in (15.24 cm) clearance on all sides

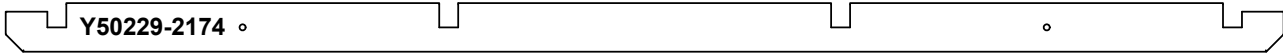


Anchoring Hardware (not included)

Post Mounts have a 1/2 in (12.7 mm) diameter hole for anchoring hardware.

Part Identification (Dimensions are approximate and are shown to assist" the identification of parts for assembly. Actual dimensions may be smaller or larger.)

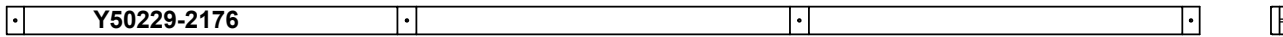
2pc. (2174) Rafter A 2336.8 mm (92") FSC



2pc. (2175) Rafter B 2336.8 mm (92") FSC



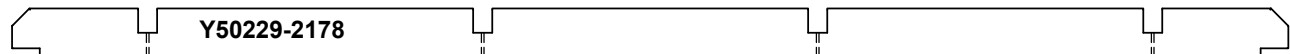
2pc. (2176) End Rafter 2181.4 mm (85-7/8") FSC



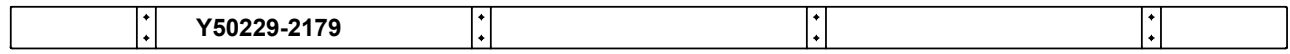
2pc. (2177) Strap A 2333.6 mm (91-7/8") FSC



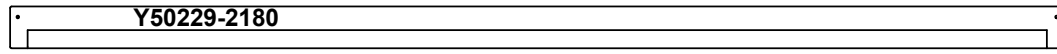
2pc. (2178) Strap B 2333.6 mm (91-7/8") FSC



2pc. (2179) FB Strap 2333.6 mm (91-7/8") FSC



2pc. (2180) Edge A 1927.4 mm (75-7/8") FSC



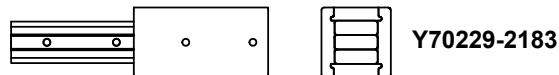
2pc. (2181) Edge B 254 mm (10") FSC



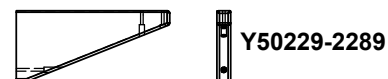
2pc. (2182) Edge C 149.9 mm (5-7/8") FSC



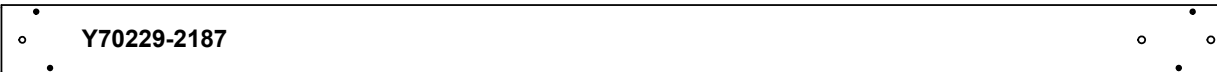
2pc. (2183) Front Post Top 469.9 mm (18-1/2") FSC



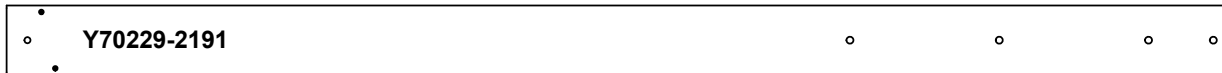
2pc. (2289) Counter Gusset 280.7 mm (11-1/16") FSC



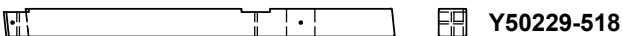
2pc. (2187) Front Post 2241.6 mm (88-1/4") FSC



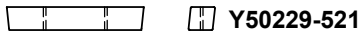
2pc. (2191) Back Post 2235.2 mm (88") FSC



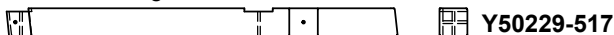
4pc. (518) Leg Right 716.6 mm (28-1/4") FSC



4pc. (521) Long Rail 250.5 mm (9-7/8") FSC



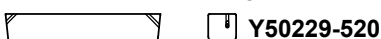
4pc. (517) Leg Left 716.6 mm (28-1/4") FSC



4pc. (522) Short Rail 173.2 mm (6-13/16") FSC



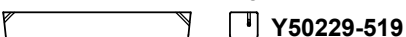
4pc. (520) Lower Rung 283.3 mm (11-1/8") FSC



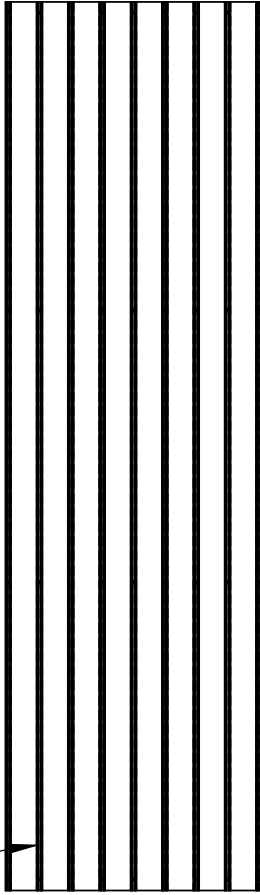
2pc. (523) Seat Laminate 431.8 mm (17") FSC



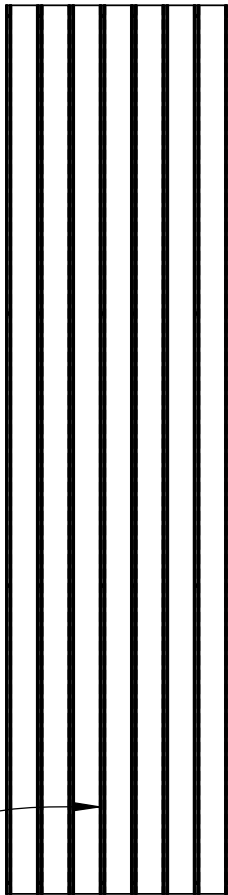
4pc. (519) Upper Rung 342.8 mm (13-1/2") FSC



Part Identification (Dimensions are approximate and are shown to assist in the identification of parts for assembly. Actual dimensions may be smaller or larger.)



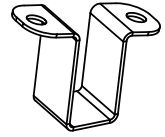
3pc. Roof Panel A - Y01036-990



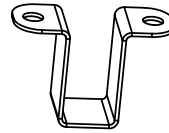
1pc. Roof Panel B - Y01036-991

**1pc. Roof Panel Set
Y70836-989**

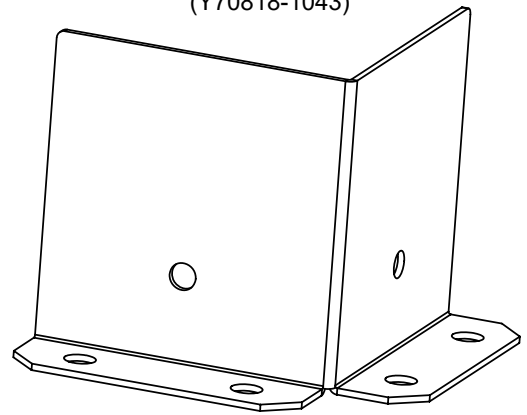
**1pc. Saddle Bracket
(4pk)
(Y70841-992)**



**1pc. Side Saddle Bracket
(4pk)
(Y70841-993)**



**4pc. Post Mount
(2pk)
(Y70818-1043)**



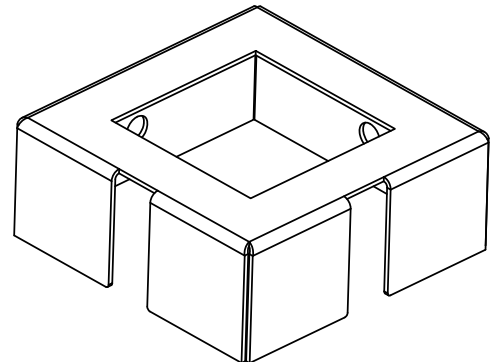
**1pc. Gazebo ID Plaque
(Y70800-104)**



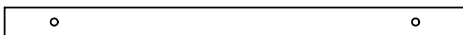
**2pc. Plastic Slider
(4pk)
(Y70818-150)**



**2pc. Post Joint Cover
(Y00418-988)**



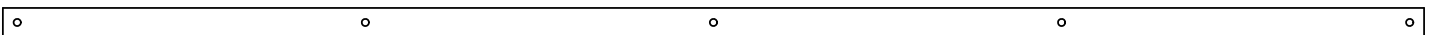
**2pc. Mesh Side Bar
(Y00418-985)**



**1pc. Sealant
(Y90100-001)**

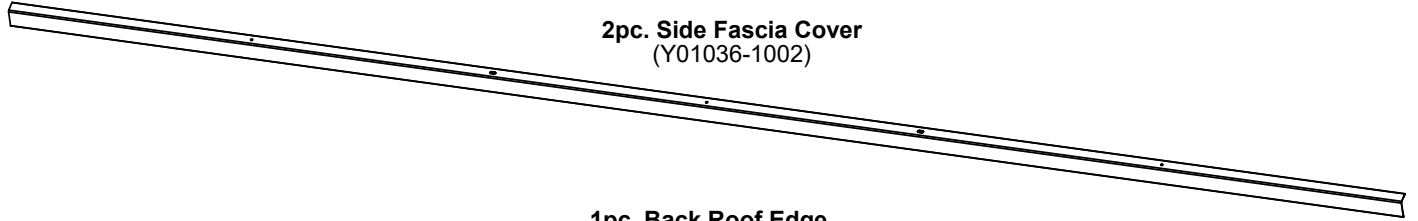


**2pc. Mesh TB Bar
(Y00418-986)**

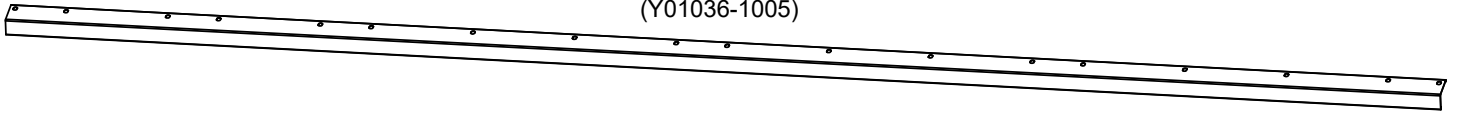


Part Identification (Dimensions are approximate and are shown to assist in the identification of parts for assembly. Actual dimensions may be smaller or larger.)

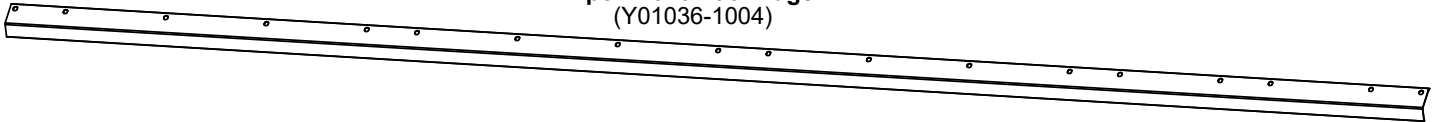
2pc. Side Fascia Cover
(Y01036-1002)



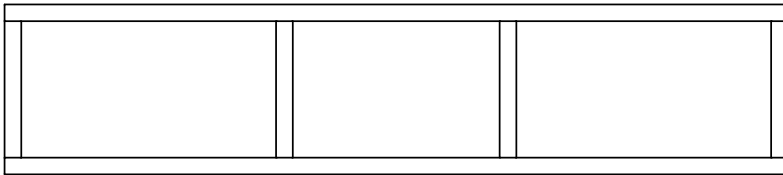
1pc. Back Roof Edge
(Y01036-1005)



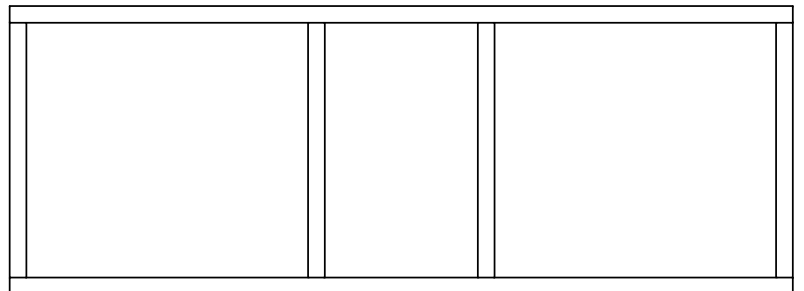
1pc. Front Roof Edge
(Y01036-1004)



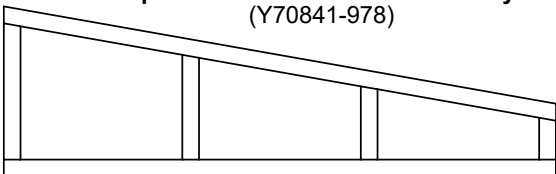
1pc. Front Truss Welded Assembly
(Y70841-971)



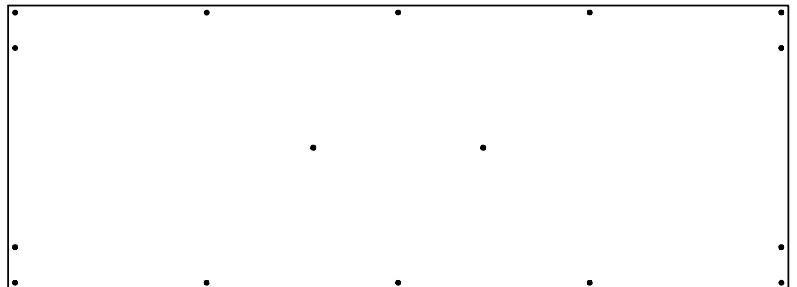
1pc. Back Truss Welded Assembly
(Y70841-975)



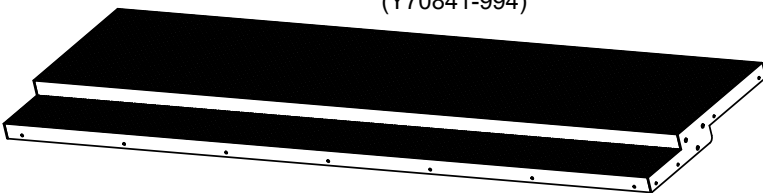
2pc. Side Truss Welded Assembly
(Y70841-978)



1pc. Truss Mesh
(Y20147-1032)

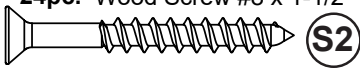


1pc. Two Step Counter
(Y70841-994)

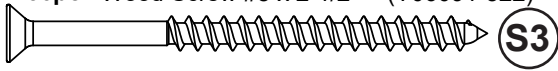


Part Identification (Dimensions are approximate and are shown to assist" the identification of parts for assembly. Actual dimensions may be smaller or larger.)

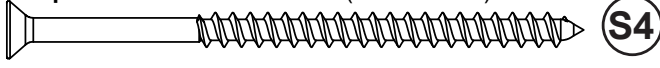
24pc. Wood Screw #8 x 1-1/2" - (Y06091-512)



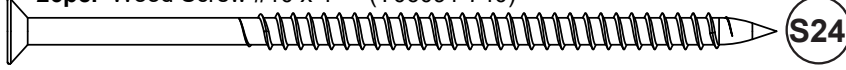
56pc. Wood Screw #8 x 2-1/2" - (Y06091-522)



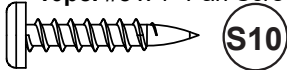
24pc. Wood Screw #8 x 3" - (Y06091-530)



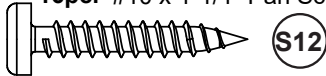
26pc. Wood Screw #10 x 4" - (Y06091-740)



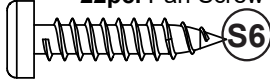
10pc. #8 x 1" Pan Screw - (Y06491-510)



16pc. #10 x 1-1/4" Pan Screw - (Y06418-711)



22pc. Pan Screw #12 x 1" - (Y06418-610)



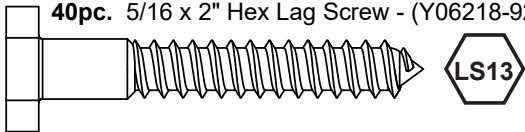
78pc. #8x 1" Hex Roofing Screw - (Y06736-510)



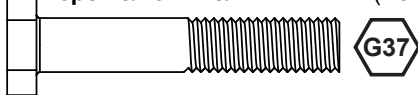
16pc. Pan Head Self Drilling Screw #8 x 3/4" - (Y06918-503)



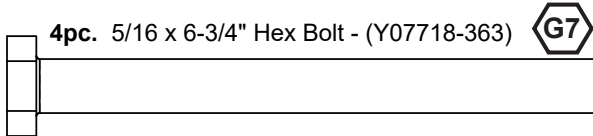
40pc. 5/16 x 2" Hex Lag Screw - (Y06218-920)



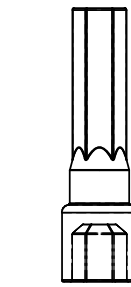
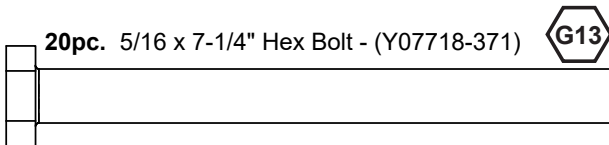
16pc. 5/16 x 1-3/4" Hex Bolt - (Y07718-313)



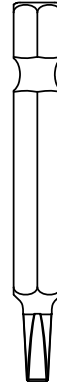
4pc. 5/16 x 6-3/4" Hex Bolt - (Y07718-363)



20pc. 5/16 x 7-1/4" Hex Bolt - (Y07718-371)



1pc. Hex Driver (Y00400-004)



1pc. #2 x 2" (Y00400-005) Robertson Driver



1pc. 1/8" (Y00400-002) Drill Bit



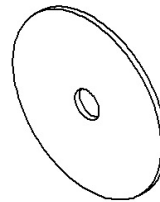
FW3

16pc. Washer Flat #8 (Y05118-501)



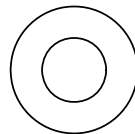
LN2

40pc. 5/16" Lock Nut (Y08318-303)



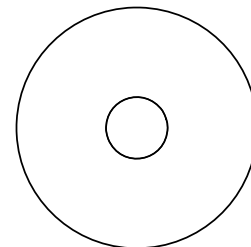
FW13

4pc. Washer Flat 31 mm (Y05191-011)



FW2

58pc. 5/16" Flat Washer (Y05118-301)



FW12

62pc. 1/4-5/16 x 1-1/4" Large Washer (Y05118-311)

Part Identification (Dimensions are approximate and are shown to assist in the identification of parts for assembly. Actual dimensions may be smaller or larger.)

1pc. Large Cabinet Base (Y00441-1100)

1pc. Counter Top (Y00400-1105)

1pc. Back Panel (Y01041-1101)

1pc. Door (Y00441-1094)

2pc. Drawer (Y01041-1095)

1pc. Long Brace (Y00441-1103)

2pc. Horizontal Brace (Y01041-1104)

3pc. Handle (Y01018-1107)

40pc. Outer Hexagonal Stainless Steel Bolt M6 14 (Y17692-020)

1pc. Right Side Panel (Y01041-1091)

1pc. Mid Side Panel (Y01041-1093)

8pc. Mounting Bracket (Y00418-1003)

1pc. Left Side Panel (Y01041-1092)

2pc. Drawer Front (Y00441-1106)

1pc. Horizontal Bracket (Y00441-1102)

2pc. Door Hinge (Y00400-1108)

6pc. M4 0.7-25 Cross Recessed Countersunk Head Bolt (Y17992-023)

12pc. M4 0.7-10 Cross Recessed Countersunk Head Bolt (Y17992-024)

37pc. M4 0.7-10 Cross Recessed Large Round Head Bolt (Y17492-021)

FB1

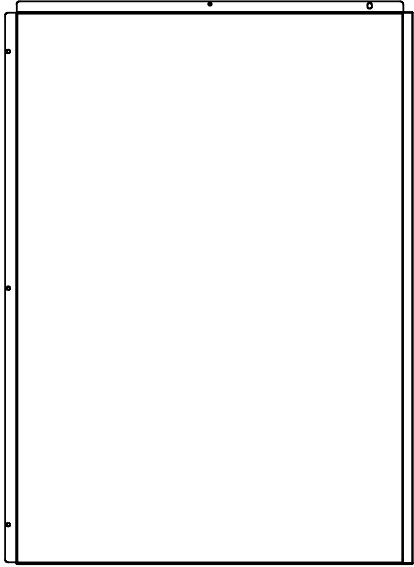
FB2

TB1

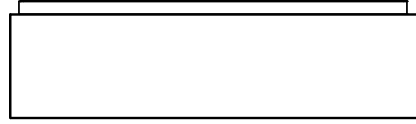
H7

Part Identification (Dimensions are approximate and are shown to assist in the identification of parts for assembly. Actual dimensions may be smaller or larger.)

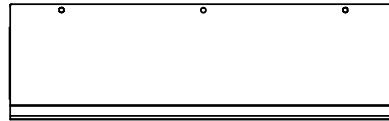
1pc. Extender Panel Back
(Y00441-1119)



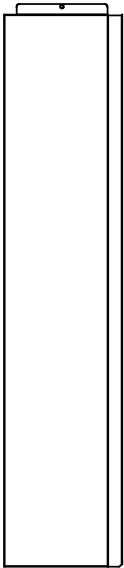
1pc. Extender Panel Top
(Y00441-1117)



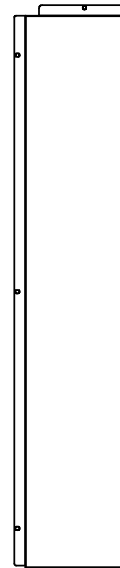
1pc. Extender Panel Bottom
(Y00441-1118)



1pc. Extender Panel Left
(Y00441-1115)

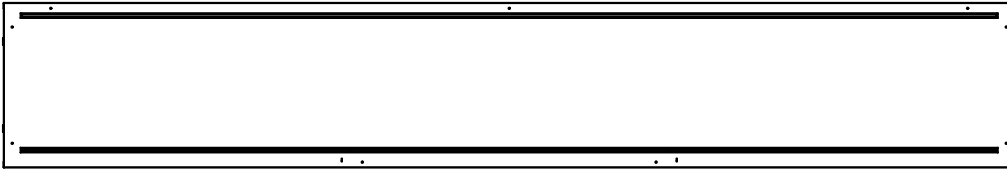


1pc. Extender Panel Right
(Y00441-1116)

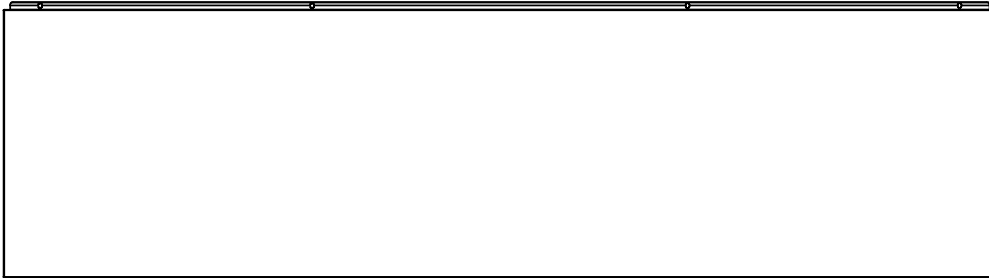


Part Identification (Dimensions are approximate and are shown to assist in the identification of parts for assembly. Actual dimensions may be smaller or larger.)

1pc. Small Cabinet Base (Y00441-1109)



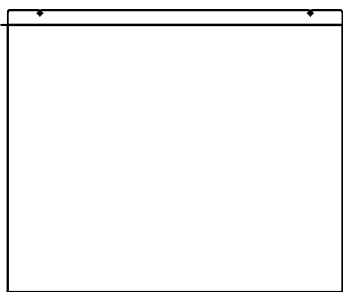
1pc. Small Back Panel (Y01041-1110)



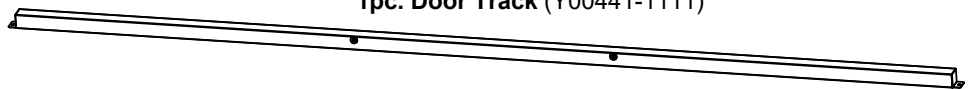
1pc. Counter Top Small (Y00400-1112)



1pc. Front Panel (Y00441-1088)



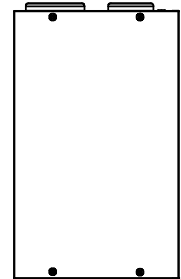
1pc. Door Track (Y00441-1111)



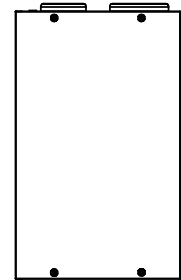
2pc. Sliding Door Handle (Y01018-1114)



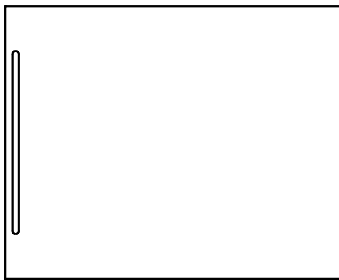
1pc. Side Panel Left (Y01041-1086)



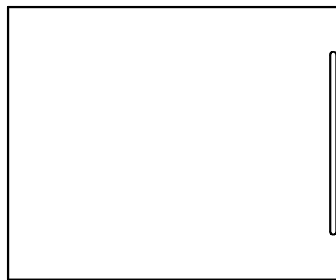
1pc. Side Panel Right (Y01041-1087)



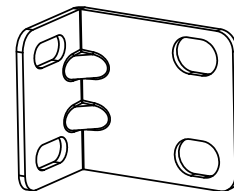
1pc. Left Sliding Door (Y00441-1089)



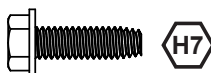
1pc. Right Sliding Door (Y00441-1113)



8pc. Mounting Bracket (Y00418-1003)



41pc. Outer Hexagonal Stainless Steel Bolt M6 14 (Y17692-020)



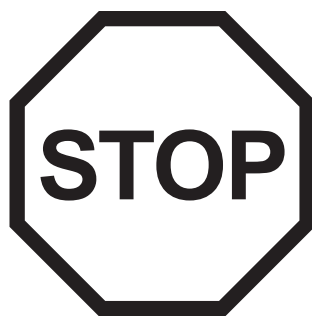
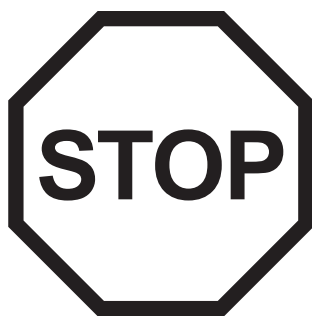
4pc. M4 0.7-5 Cross Recessed Round Head Bolt (Y17492-022)



2pc. M4 0.7-10 Cross Recessed Large Round Head Bolt (Y17492-021)



Step 1: Inventory Parts - Read This Before Starting Assembly



- A.** This is the time for you to inventory all your hardware, wood and accessories, referencing the parts identification sheets. This will assist you with your assembly.
- Each step indicates which bolts and/or screws you will need for assembly, as well as any flat washers, lock washers, t-nuts or lock nuts.
- B.** If there are any missing or damaged pieces or you need assistance with assembly please contact the consumer relations department directly. Call us before going back to the store.

1-888-509-4382

Regular Hours: Mon - Fri, 8:30 am - 5:00 pm EST (excl. holidays)
English and French Spoken

support@yardistrystructures.com

- C.** Read the assembly manual completely, paying special attention to ANSI warnings; notes; and safety/maintenance information on pages 1 - 4.
- Follow the instructions in order.
 - This structure is designed to be assembled and installed ideally by four people, DO NOT attempt to install alone.
 - Consider the slope of elevation where you plan to install the structure. Also, check for gas, telephone, other utilities or sprinkler line locations prior to excavating any holes.
- D.** Before you discard your cartons fill out the form below.
- The carton I.D. stamp is located on the end of each carton.
 - Please retain this information for future reference. You will need this information if you contact the Consumer Relations Department.

PRODUCT NUMBER: YM12662

CARTON I.D. STAMP: ___ ___ ___ ___ 14459 ___ (Box 1)

CARTON I.D. STAMP: ___ ___ ___ ___ 14459 ___ (Box 2)

CARTON I.D. STAMP: ___ ___ ___ ___ 14459 ___ (Box 3)

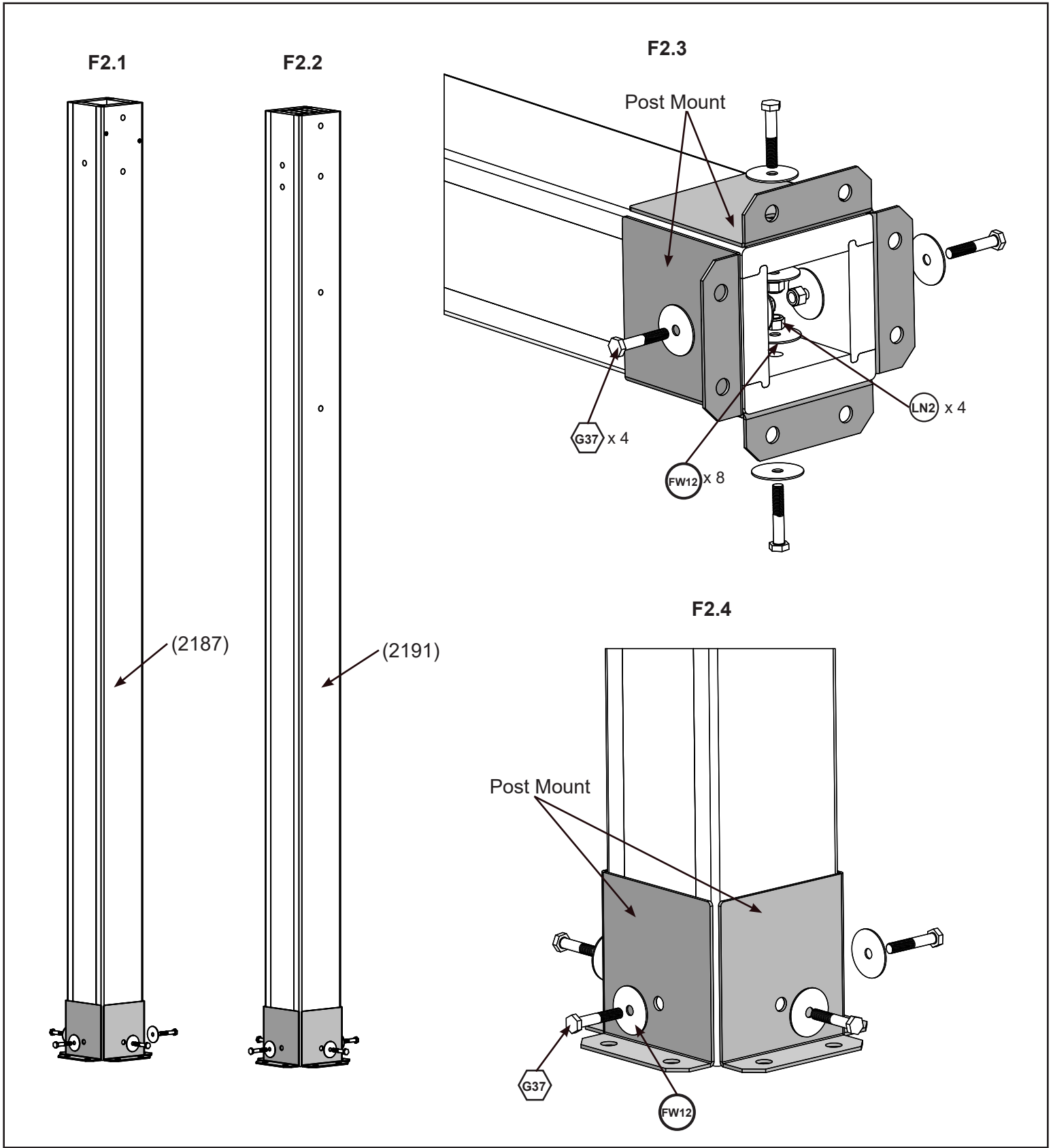
CARTON I.D. STAMP: ___ ___ ___ ___ 14459 ___ (Box 4)

CARTON I.D. STAMP: ___ ___ ___ ___ 14459 ___ (Box 5)

CARTON I.D. STAMP: ___ ___ ___ ___ 14459 ___ (Box 6)

Step 2: Post Assemblies

Part 1



Wood Parts

- 2 x (2187) Front Post
- 2 x (2191) Back Post

Components

- 8 x Post Mount

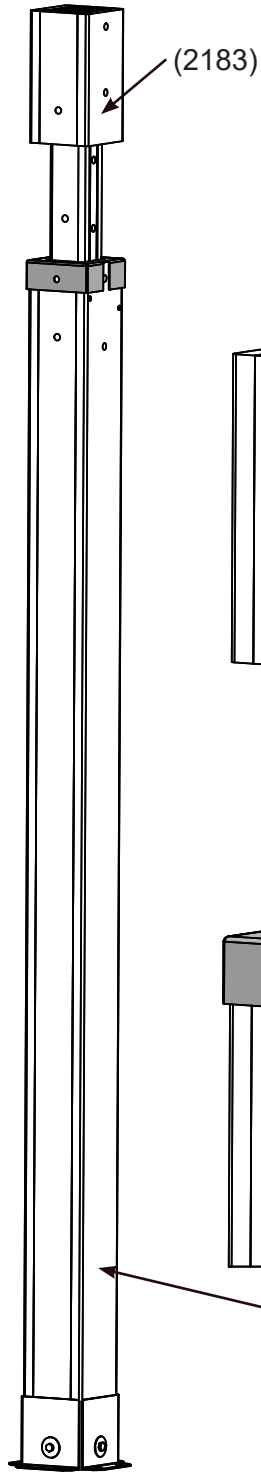
Hardware

- 16 x G37 5/16 x 1-3/4" Hex Bolt
- 32 x FW12 1/4 - 5/16" Large Washer
- 16 x LN2 5/16" Lock Nut

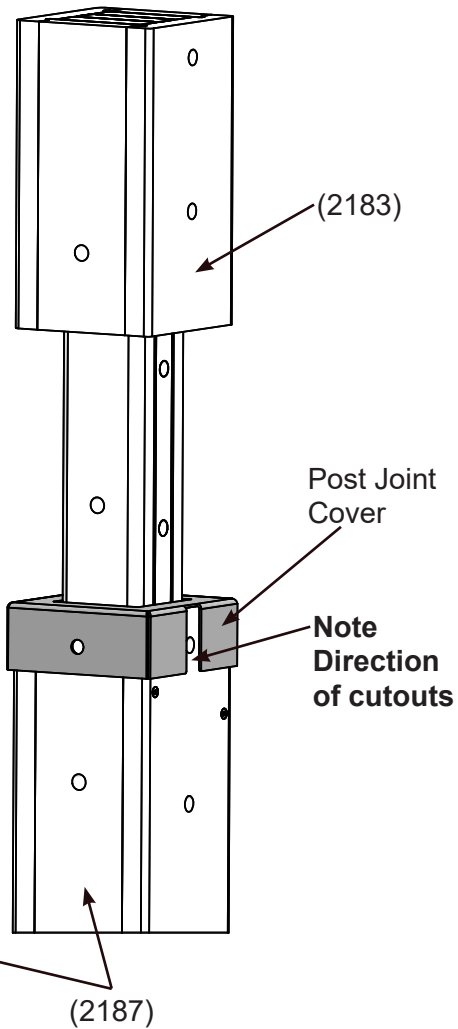
Step 2: Post Assemblies

Part 2

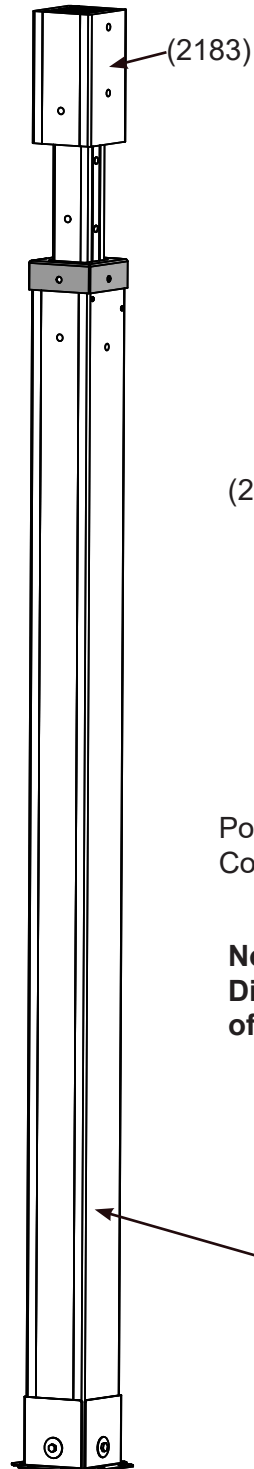
F2.5
Front Left
Post Assembly



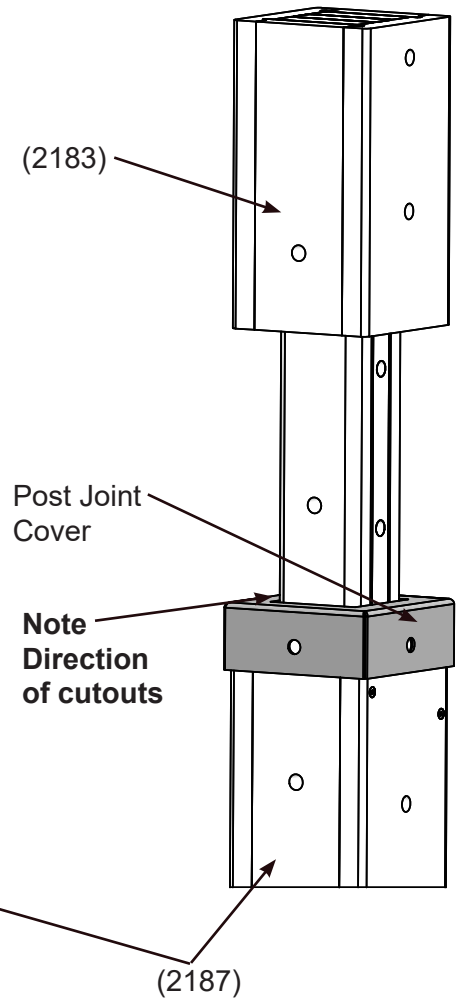
F2.6



F2.7
Front Right
Post Assembly



F2.8



Wood Parts

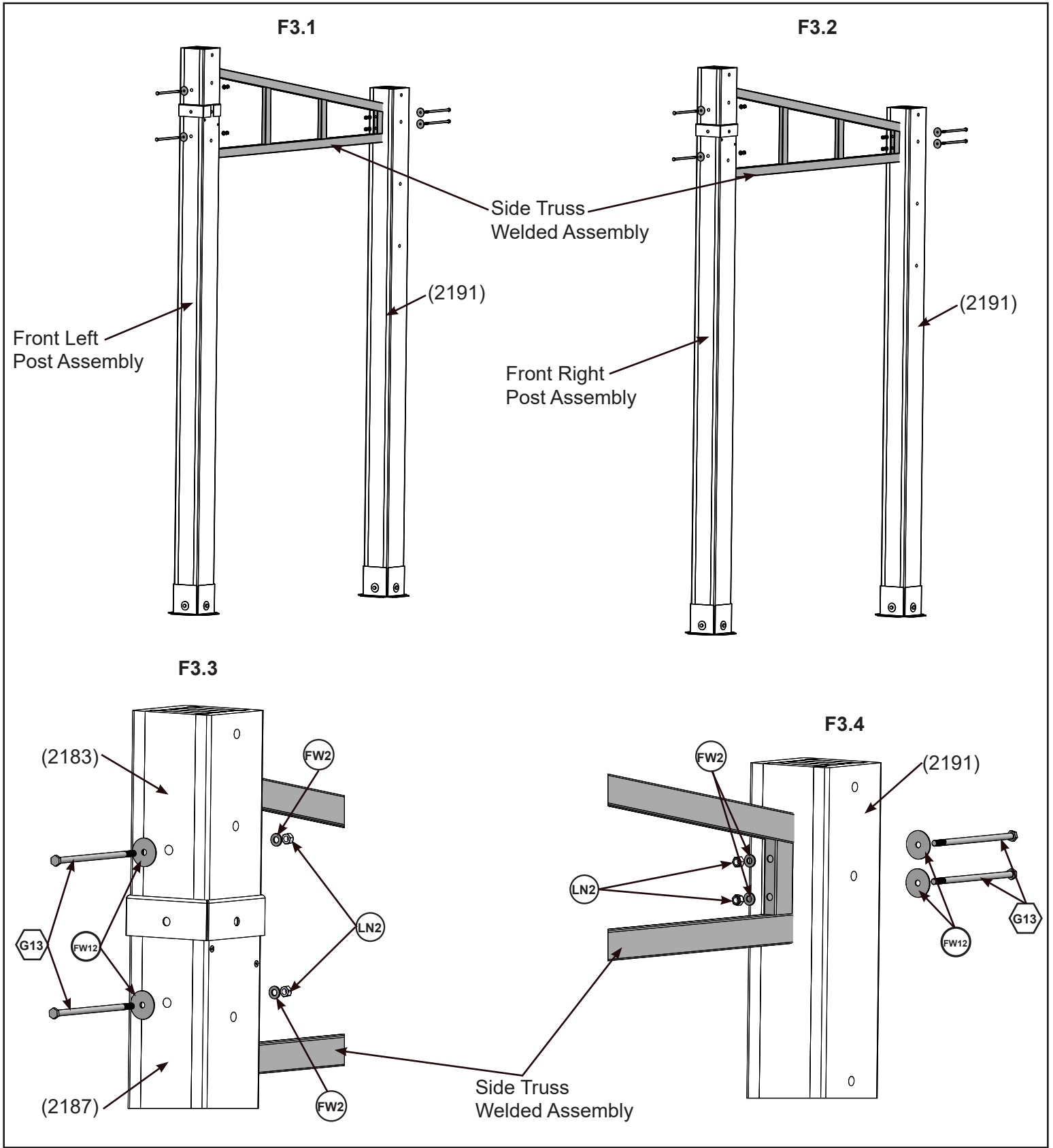
2 x (2183) Front Post Top

Components

2 x Post Joint Cover



Step 3: Side Frame Assemblies



Components

2 x Side Truss Welded Assembly

8 x LN2 5/16" Lock Nut

Hardware

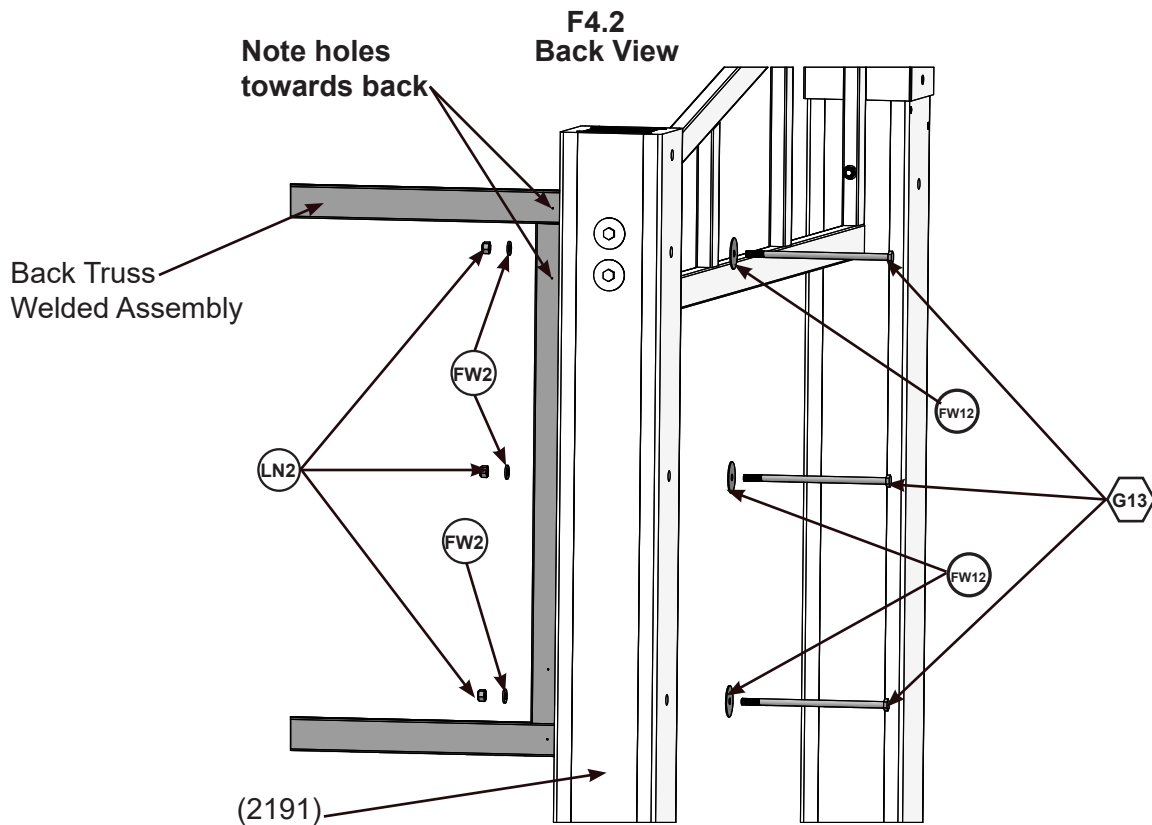
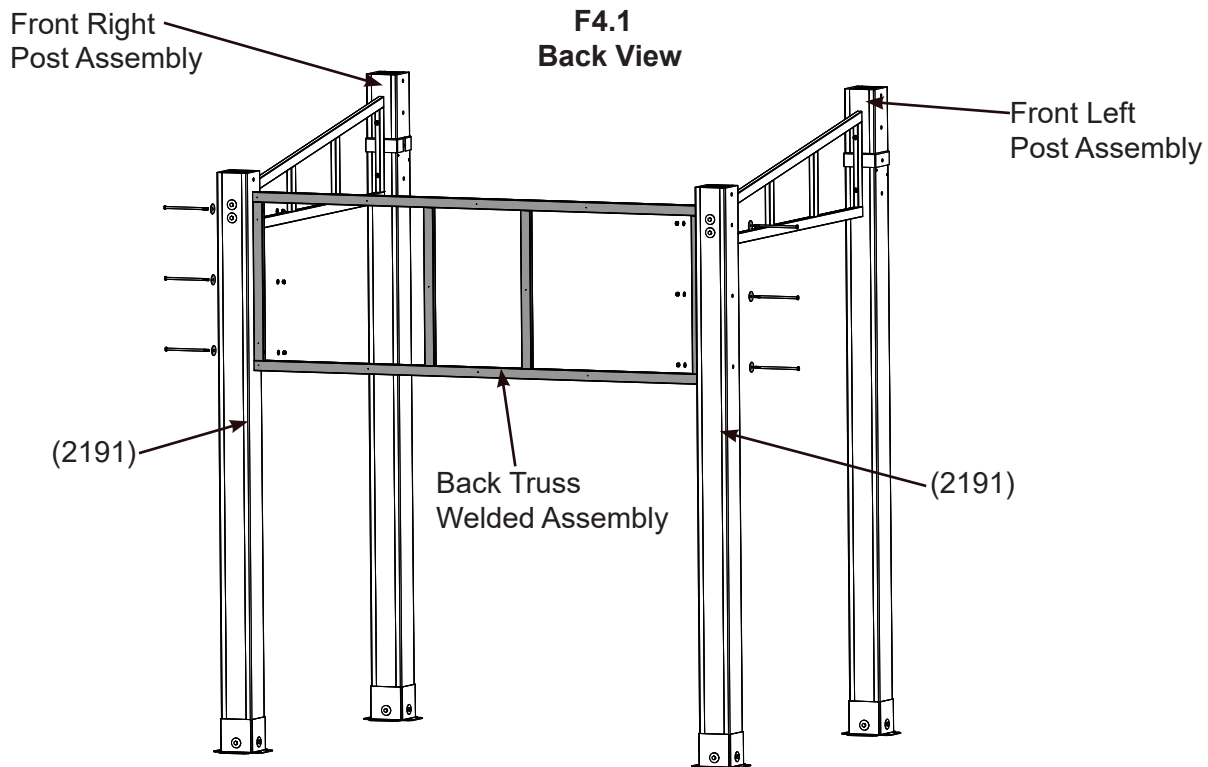
8 x G13 5/16 x 7-1/4" Hex Bolt

8 x FW12 1/4 - 5/16" Large Washer

8 x FW2 5/16" Flat Washer

Step 4: Frame Assembly

Part 1



Components

1 x Back Truss Welded Assembly

6 x LN2 5/16" Lock Nut

Hardware

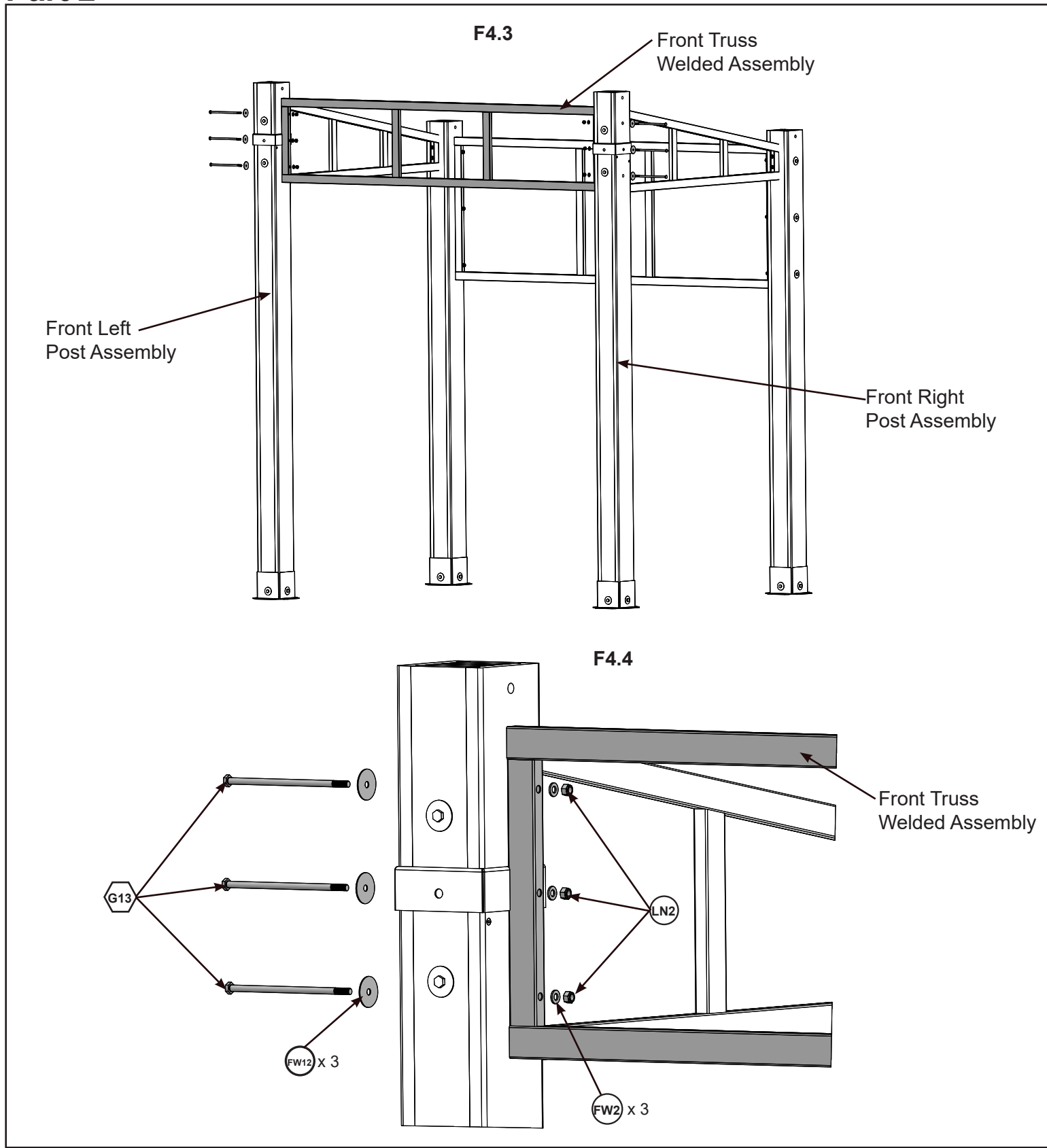
6 x G13 5/16 x 7-1/4" Hex Bolt

6 x FW12 1/4 - 5/16" Large Washer

6 x FW2 5/16" Flat Washer

Step 4: Frame Assembly

Part 2



Components

1 x Front Truss Welded Assembly

Hardware

6 x LN2 5/16" Lock Nut

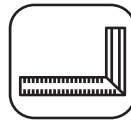
6 x G13 5/16 x 7-1/4" Hex Bolt

6 x FW12 1/4 - 5/16" Large Washer

6 x FW2 5/16" Flat Washer

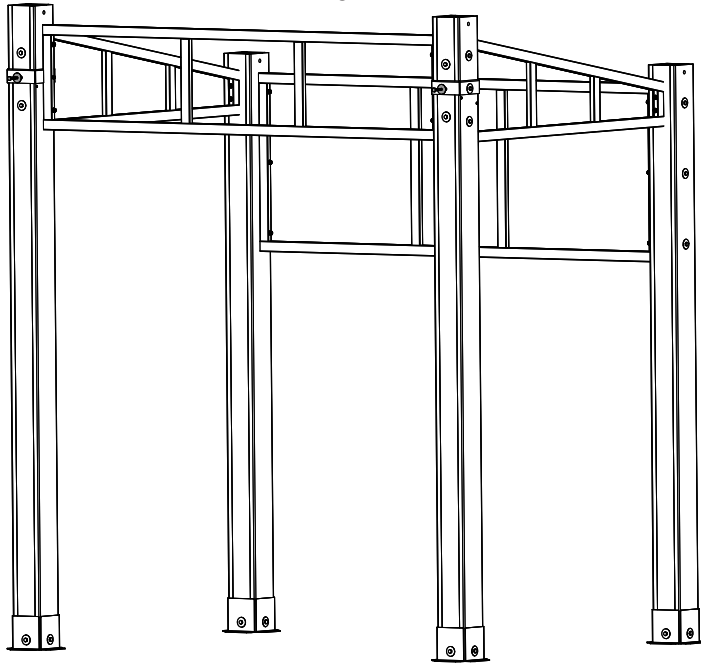
Step 4: Frame Assembly

Part 3

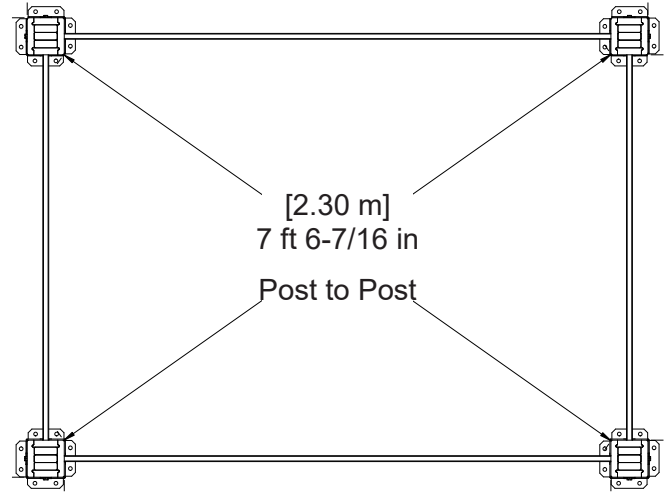


Note: Pre-drill all pilot holes using a 1/8" drill bit before installing Lag Screws.

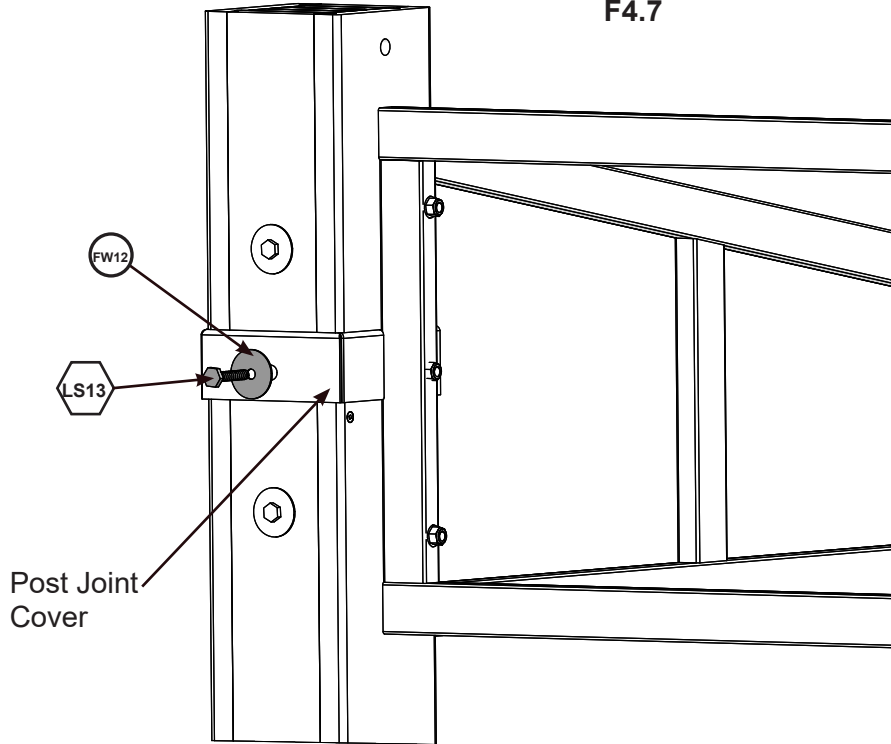
F4.5



F4.6



F4.7



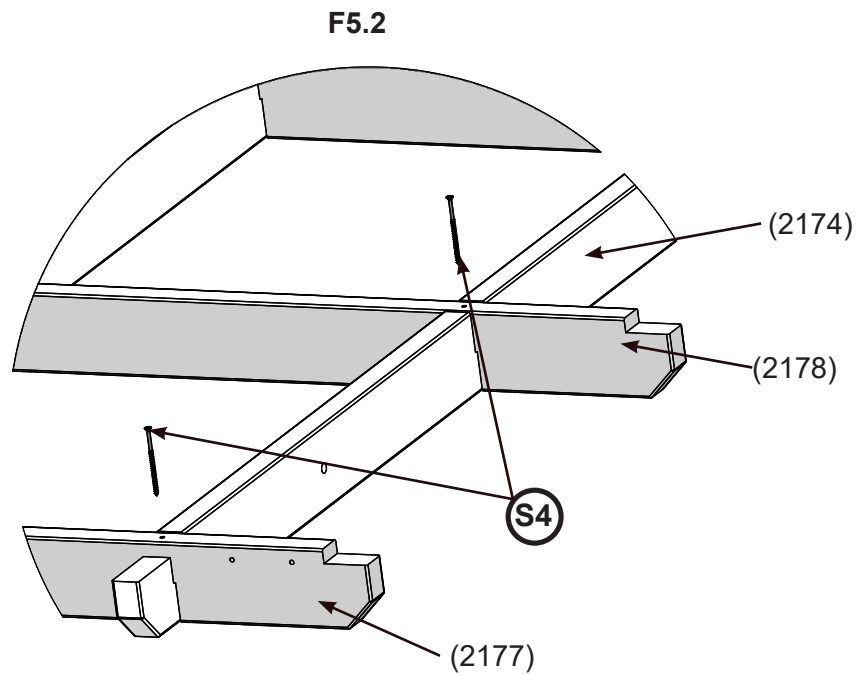
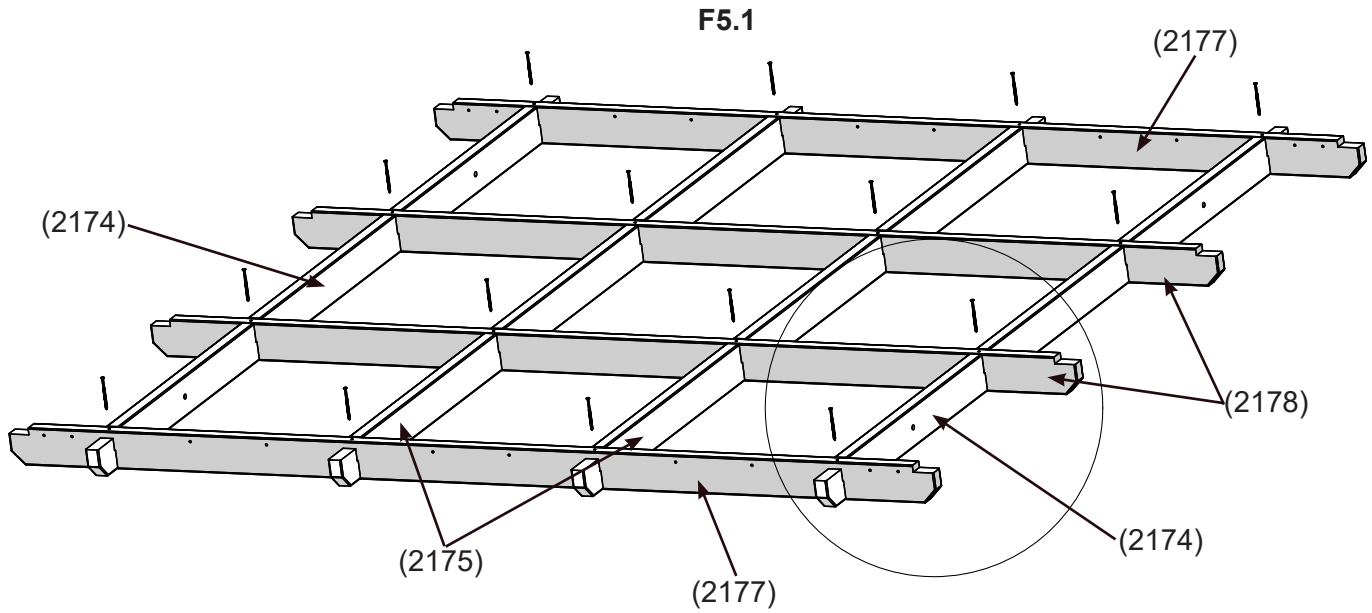
Hardware

2 x  LS13 5/16 x 2" Hex Lag

2 x  FW12 1/4 - 5/16" Large Washer

Step 5: Roof Frame Assembly

Part 1



Wood Parts

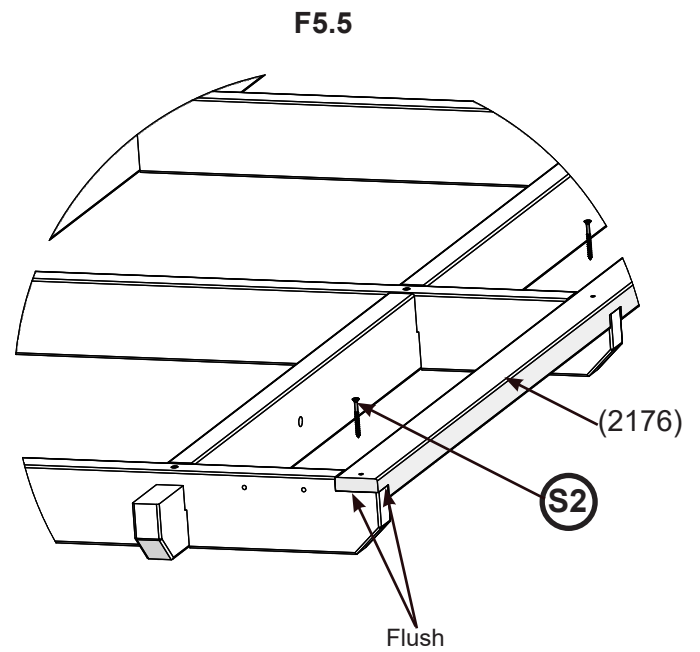
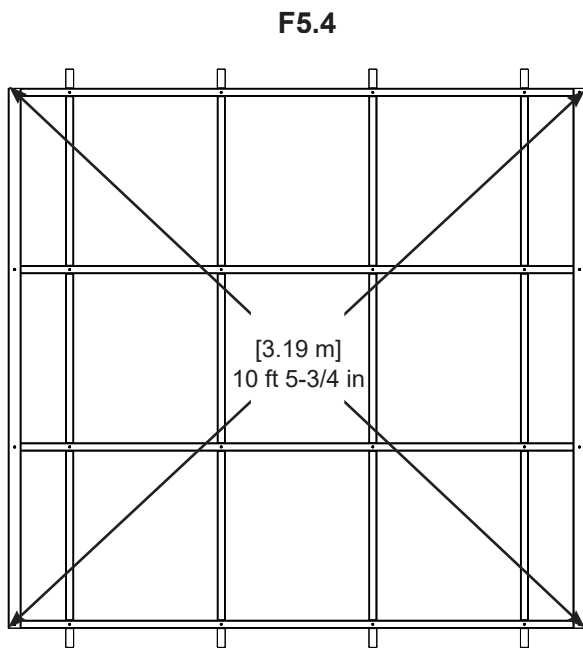
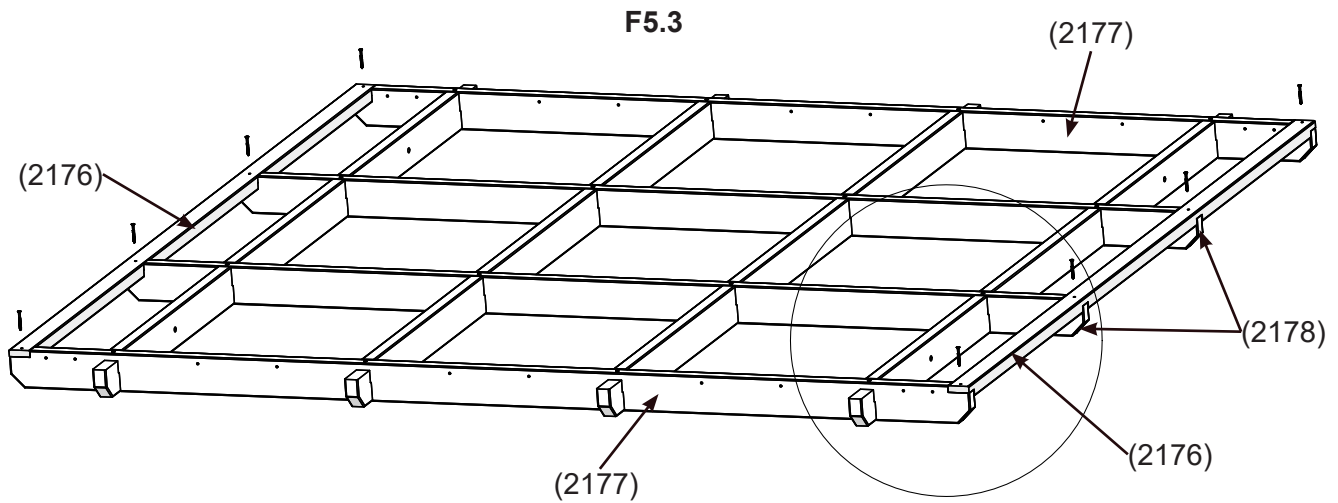
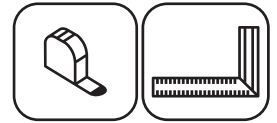
- 2 x (2174) Rafter A
- 2 x (2175) Rafter B
- 2 x (2177) Strap A
- 2 x (2178) Strap B

Hardware

- 16 x **S4** #8 x 3" Wood Screw

Step 5: Roof Frame Assembly

Part 2



Wood Parts

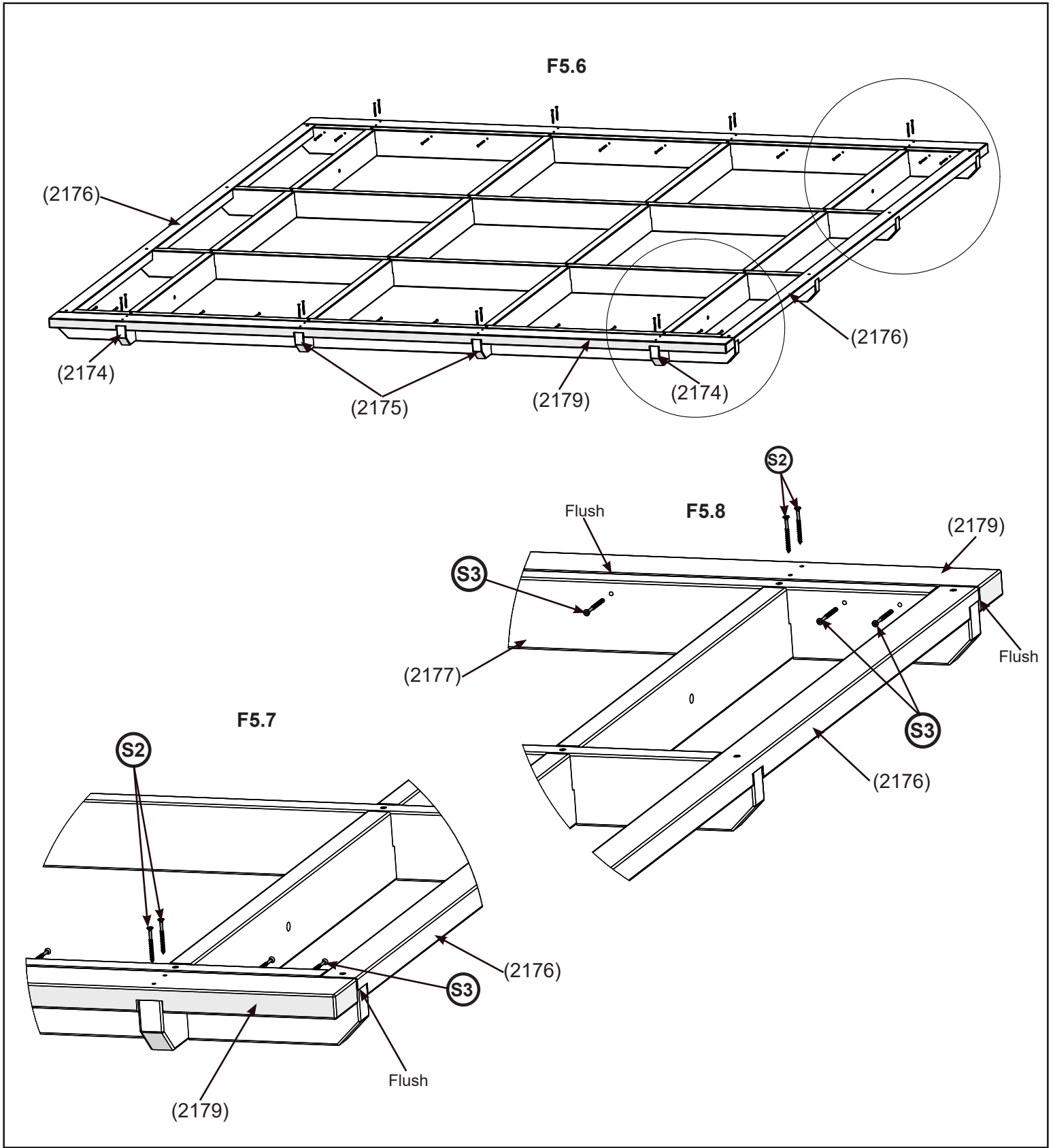
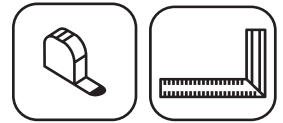
2 x (2176) End Rafter

Hardware

8 x (S2) #8 x 1-1/2" Wood Screw

Step 5: Roof Frame Assembly

Part 3



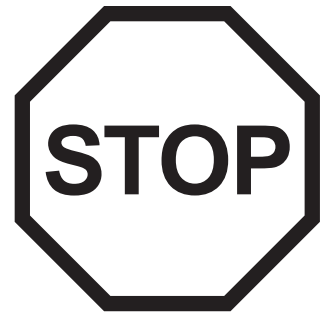
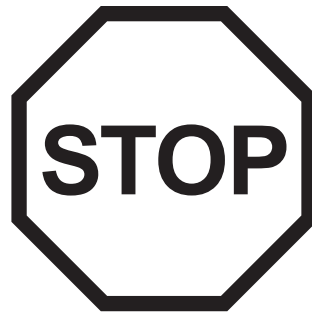
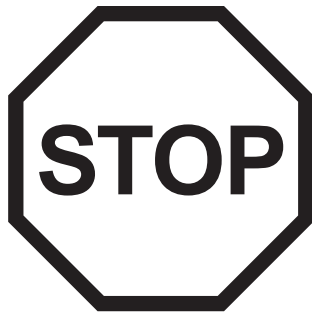
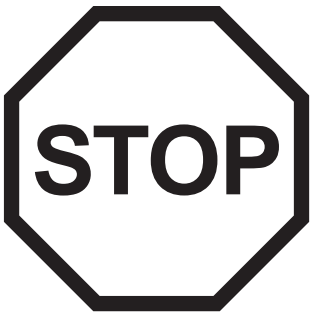
Wood Parts

2 x (2179) Strap

Hardware

16 x S2 #8 x 1-1/2" Wood Screw

20 x S3 #8 x 2-1/2" Wood Screw



INSTALLING ROOFING MATERIAL

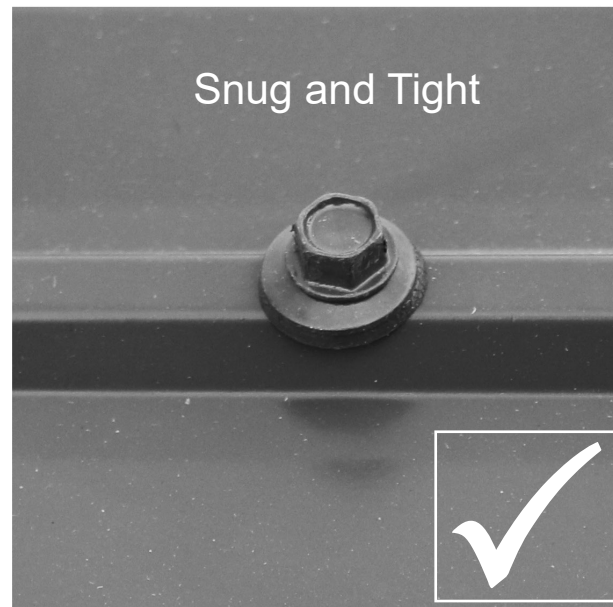
CAUTION!

Roofing material may have sharp edges! Wear gloves!

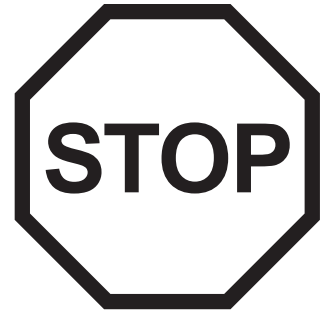
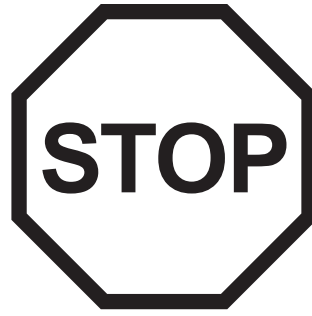
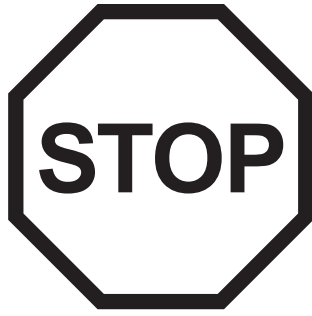
HANDLE WITH CARE!

Place roofing material on a non-abrasive surface before assembly as it can bend, dent and scratch easily.

**WARNING – DO NOT OVER TIGHTEN ROOFING SCREWS!
Over tightening screws will cause roofing material to crush.**



The roofing screws can easily crush the Roof Panels and Roof Edges when using a power drill. We recommend hand tightening the roofing screws so that they sit snug and tight to the roofing material.

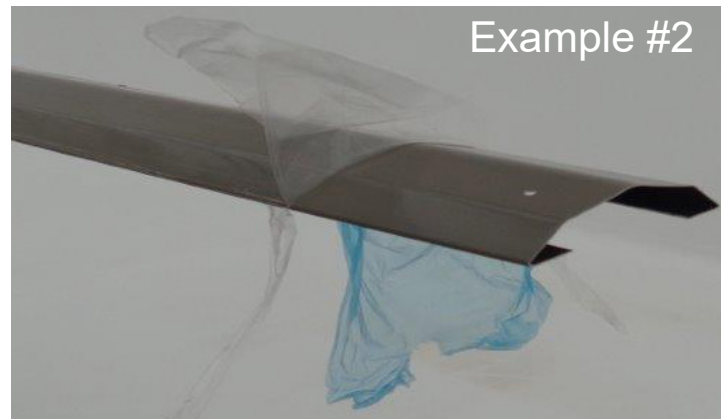
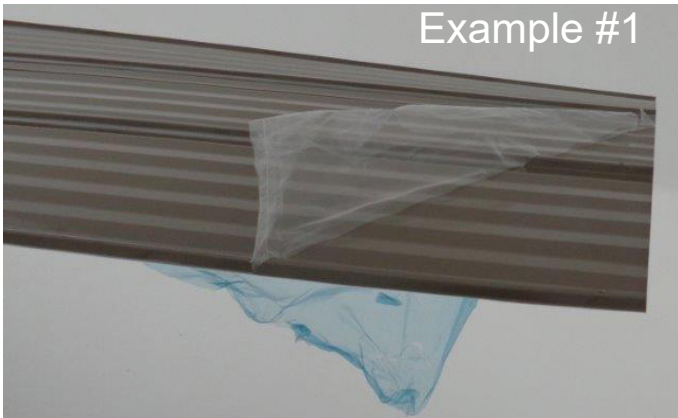


INSTALLING ROOFING MATERIAL

CAUTION!

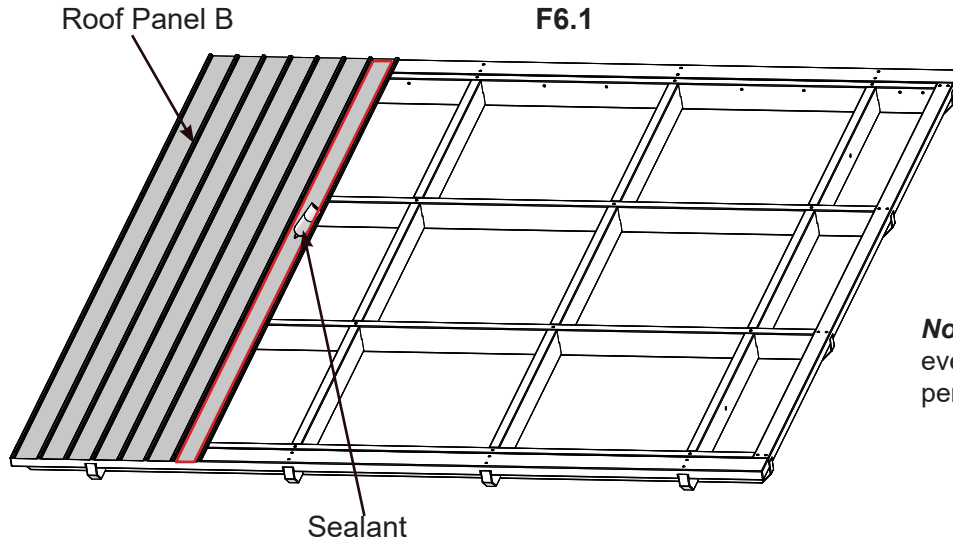
Roofing material may have sharp edges! Wear gloves!

BE SURE TO REMOVE ALL PLASTIC COVERING, ON BOTH SIDES OF THE ALUMINUM PANELS AND TRIM, DIRECTLY BEFORE INSTALLING EACH PIECE. *(One side is clear and the other is blue, both must be removed.)*

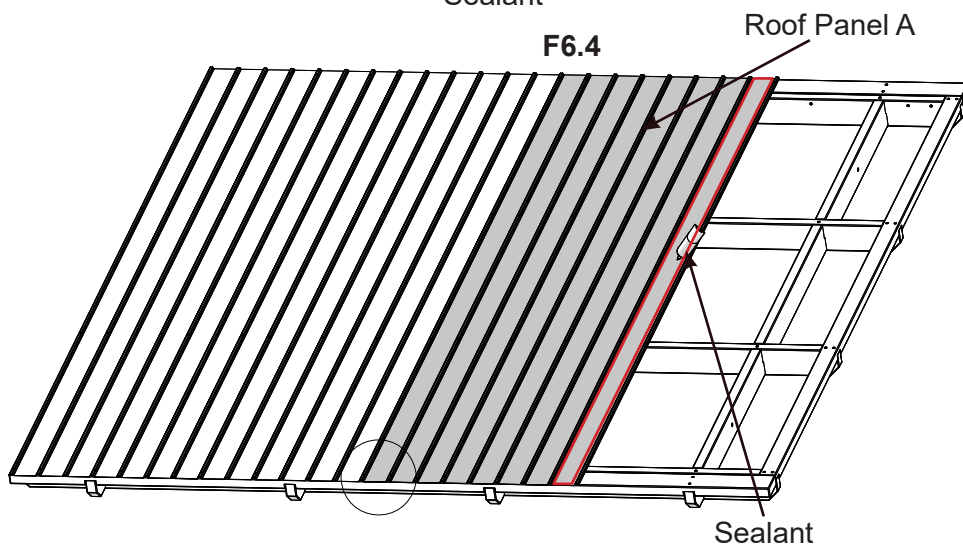
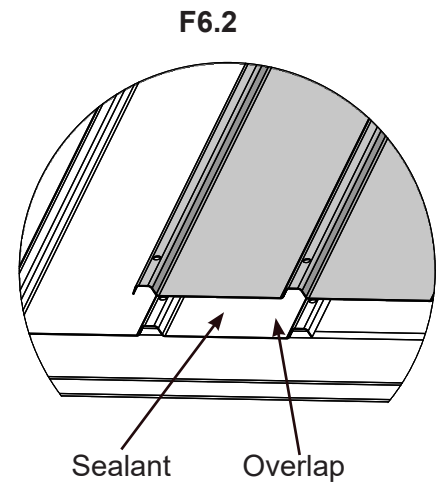
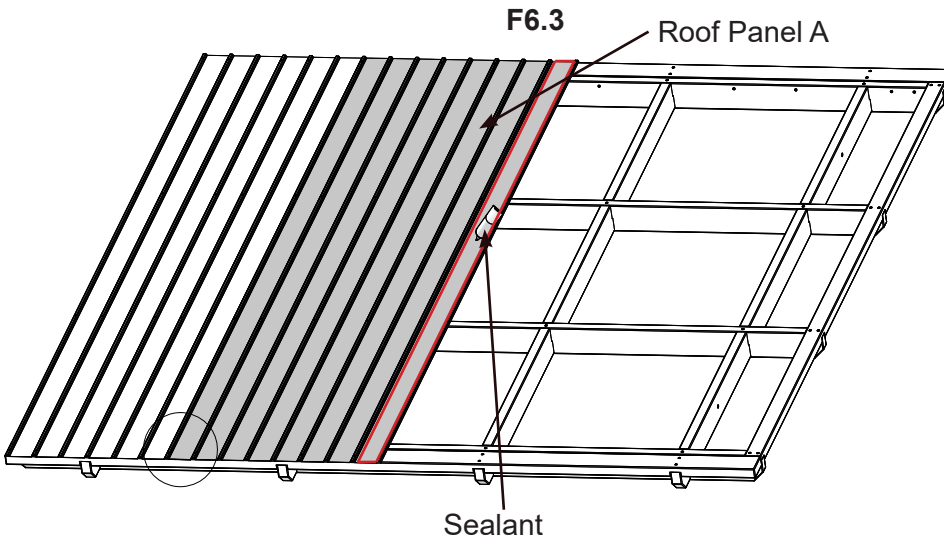


Step 6: Roof Panel Assembly

Part 1



Note: Between the first two ribs apply small, evenly distributed beads of sealant over the perimeter of the flat surface.



Note: All surfaces to be clean, dry, dust and grease free before application with temperatures above 5°C (41°F), no warmer than 35°C (95°F).

- Apply sealant in small beads and smooth as required.
- Clean excess with a cloth or paper towel before it skins over.
- Always wear safety glasses and rubber gloves when using product.

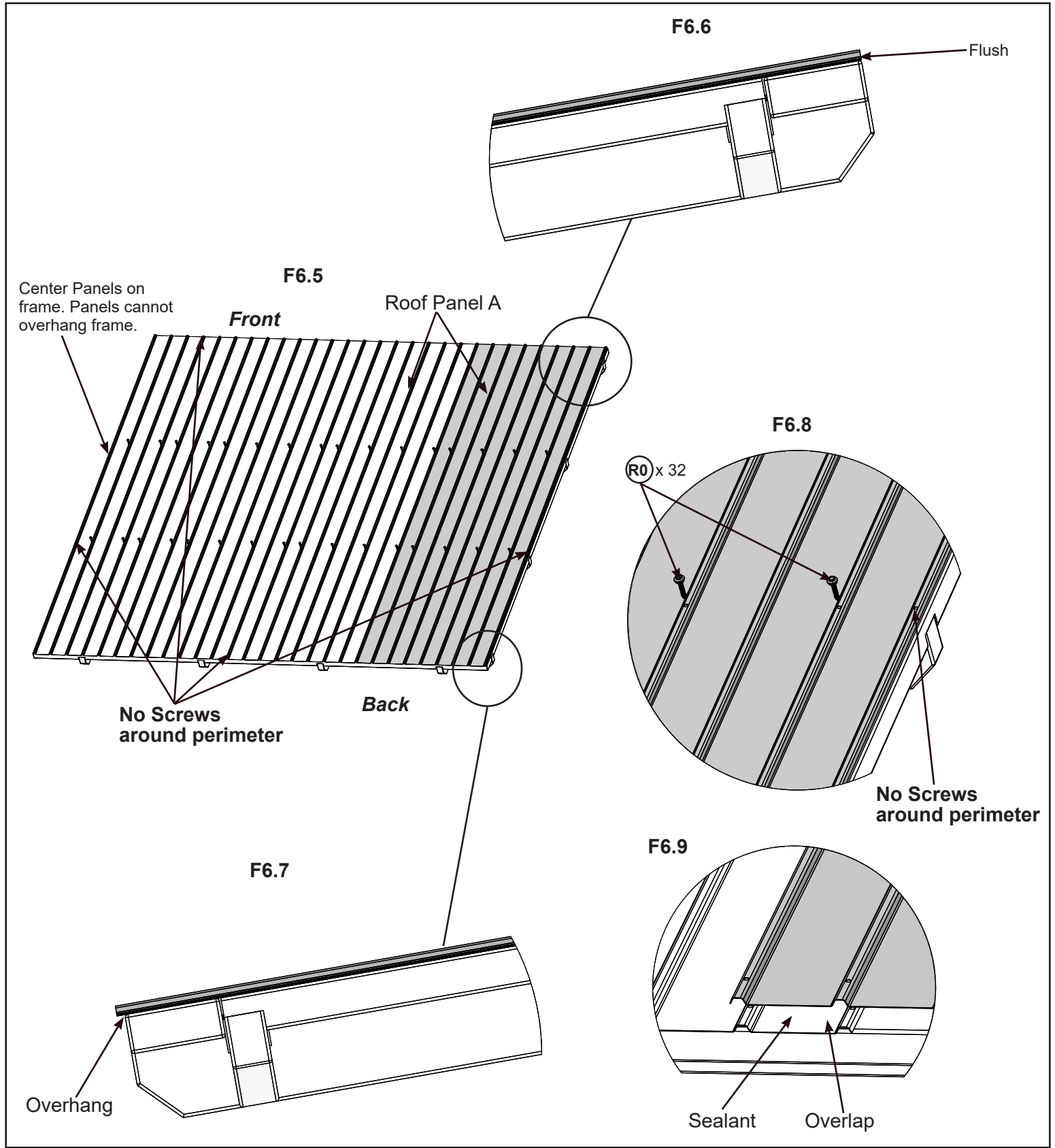
See page 6 for Warning and First Aid Information.

Components

2 x Roof Panel A
1 x Roof Panel B
Sealant

Step 6: Roof Panel Assembly

Part 2



Components

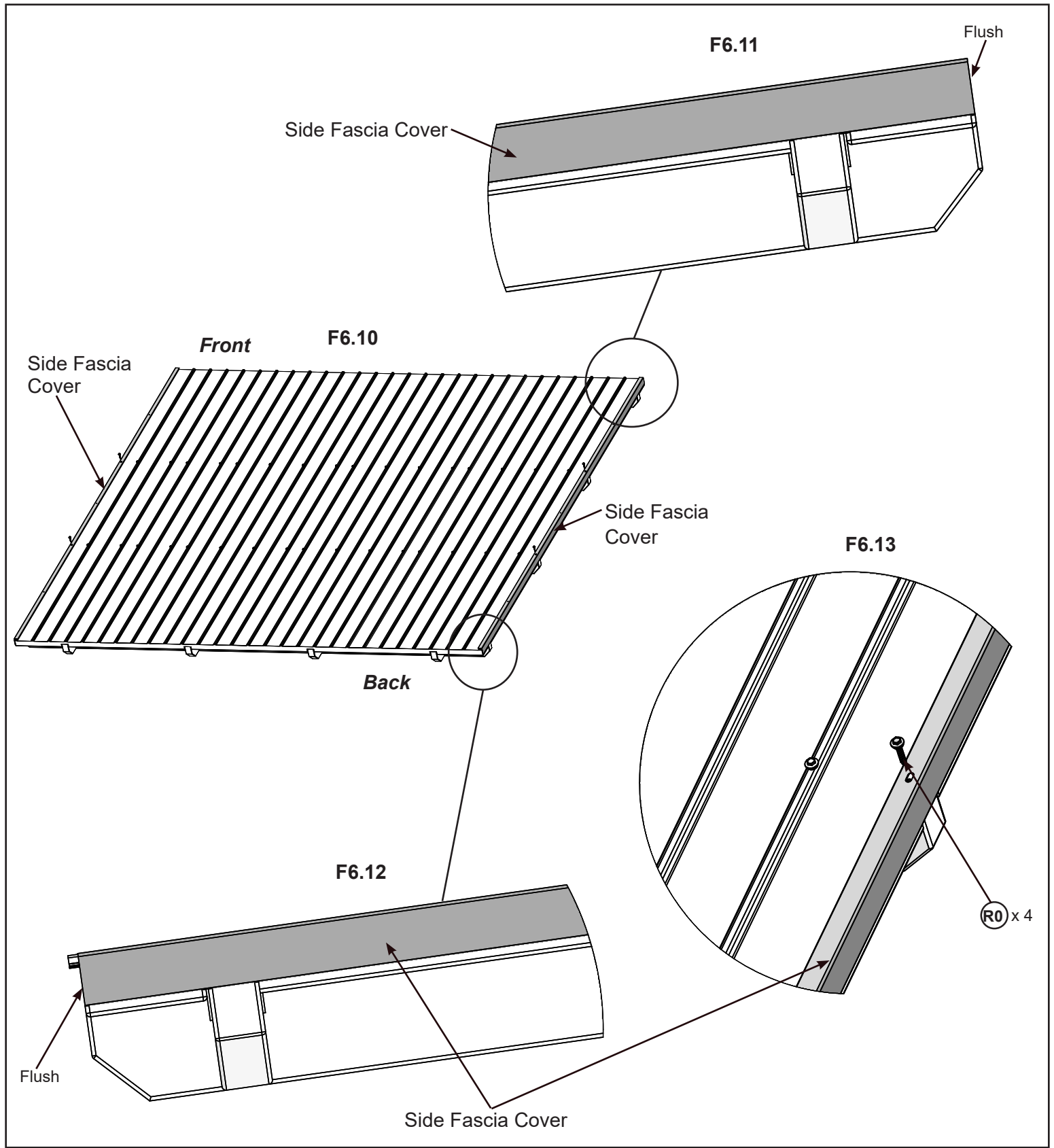
1 x Roof Panel A

Hardware

32 x **(R0)** #8 x 1" Hex Roofing Screw

Step 6: Roof Panel Assembly

Part 3



Components

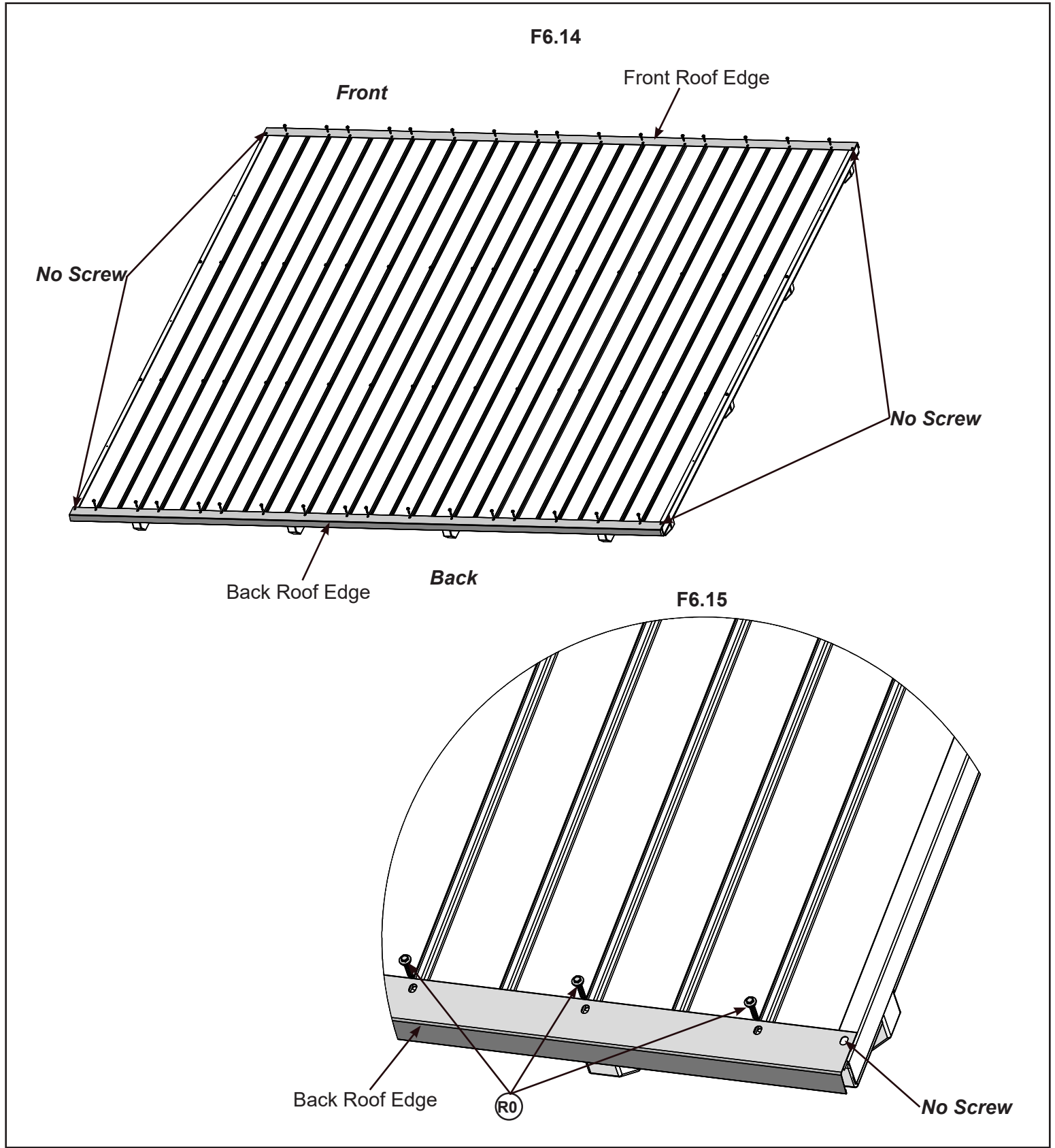
2 x Side Fascia Cover

Hardware

4 x (R0) #8 x 1" Hex Roofing Screw

Step 6: Roof Panel Assembly

Part 4



Components

- 1 x Front Roof Edge
- 1 x Back Roof Edge

Hardware

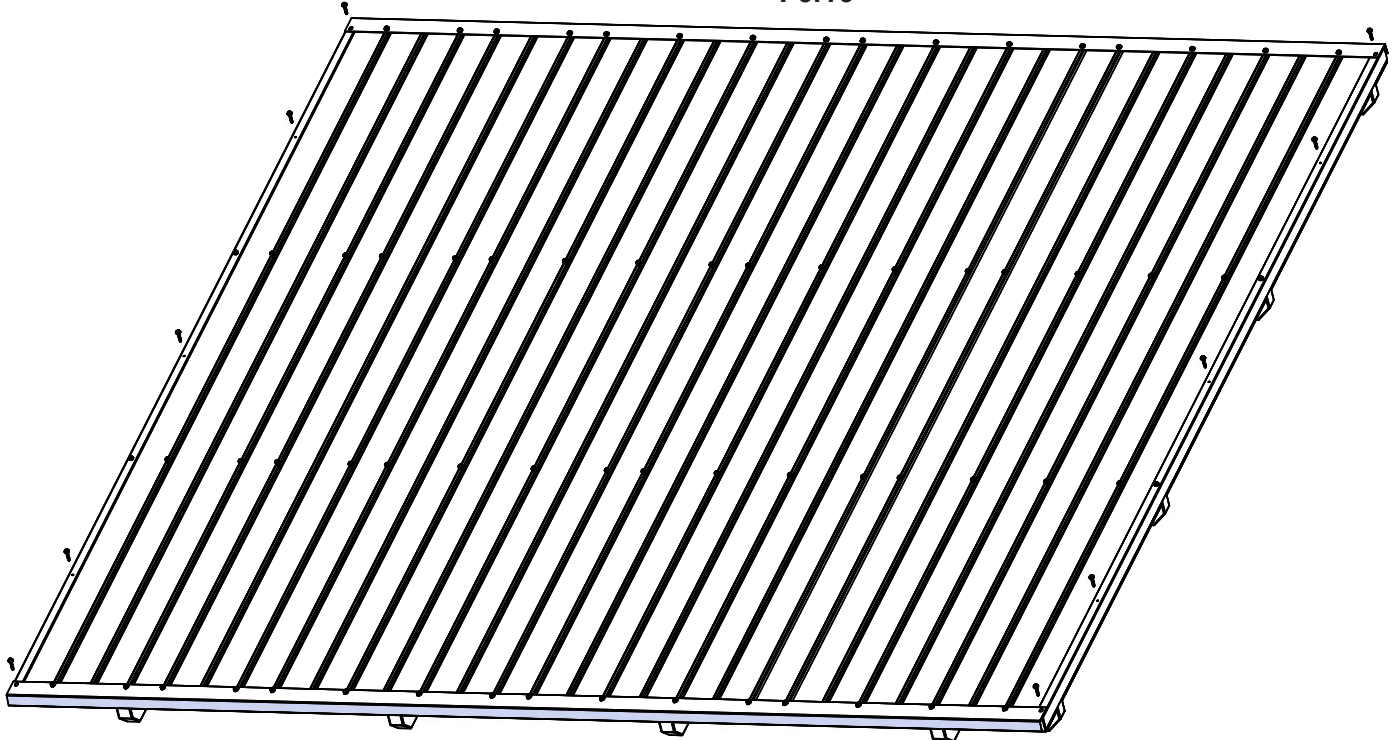
- 32 x (R0) #8 x 1" Hex Roofing Screw

Step 6: Roof Panel Assembly

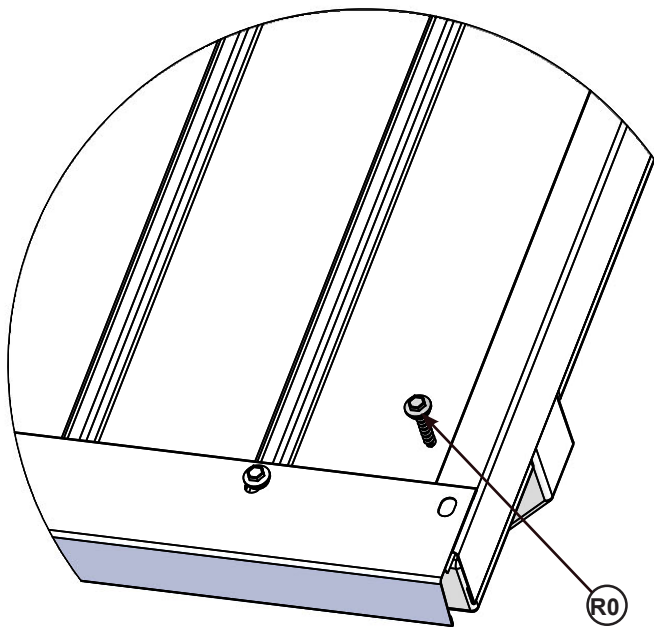
Part 5



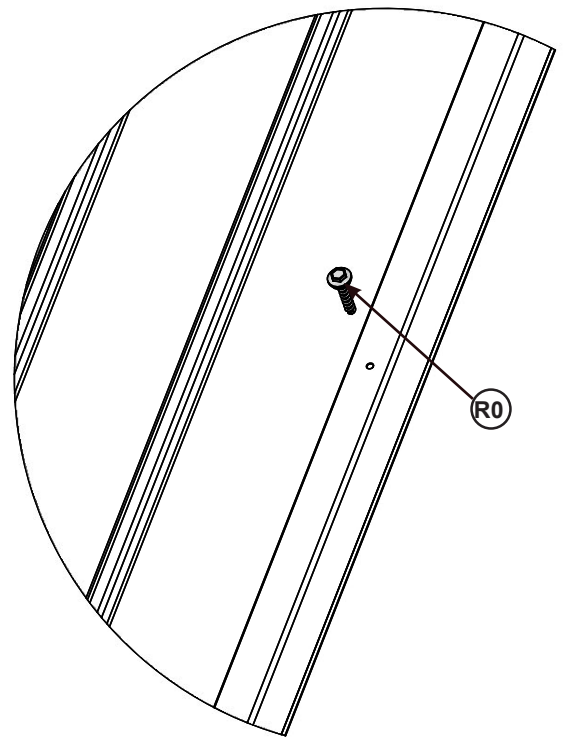
F6.16



F6.17



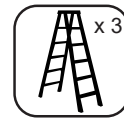
F6.18



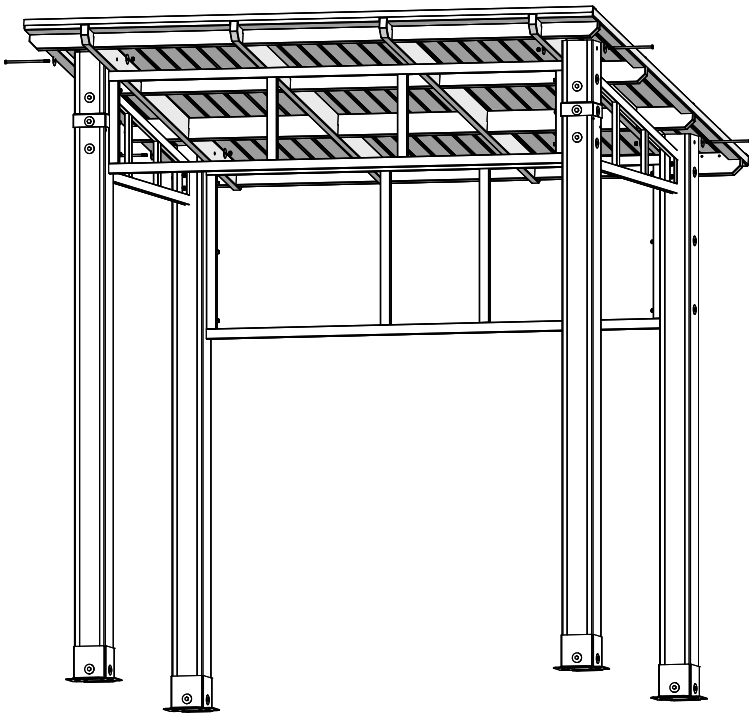
Hardware

10 x **(R0)** #8 x 1" Hex Roofing Screw

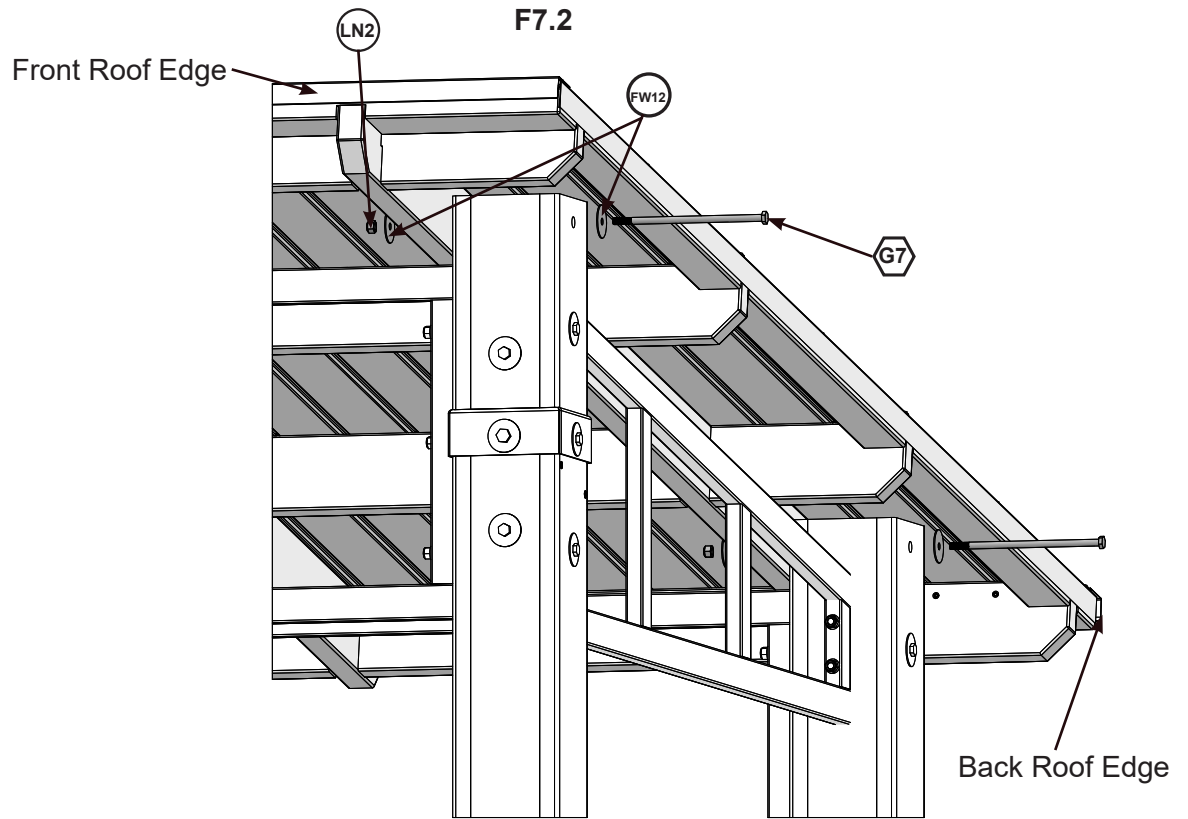
Step 7: Attach Roof Panel Assembly Part 1



F7.1



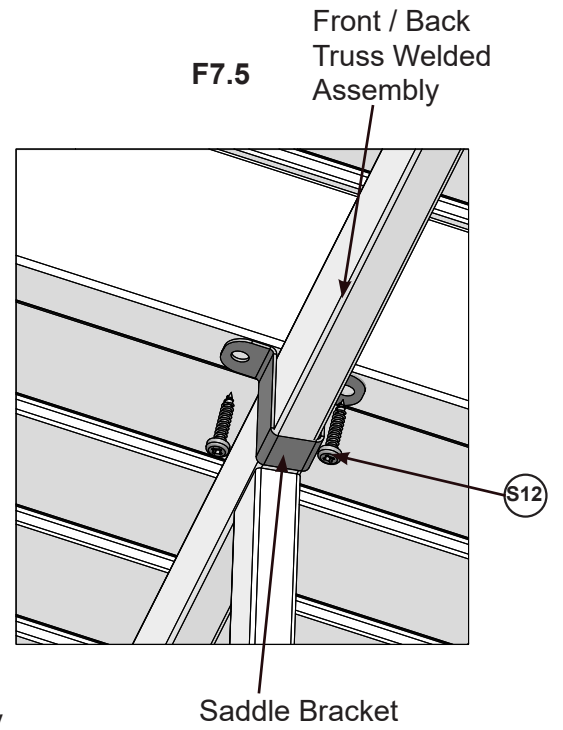
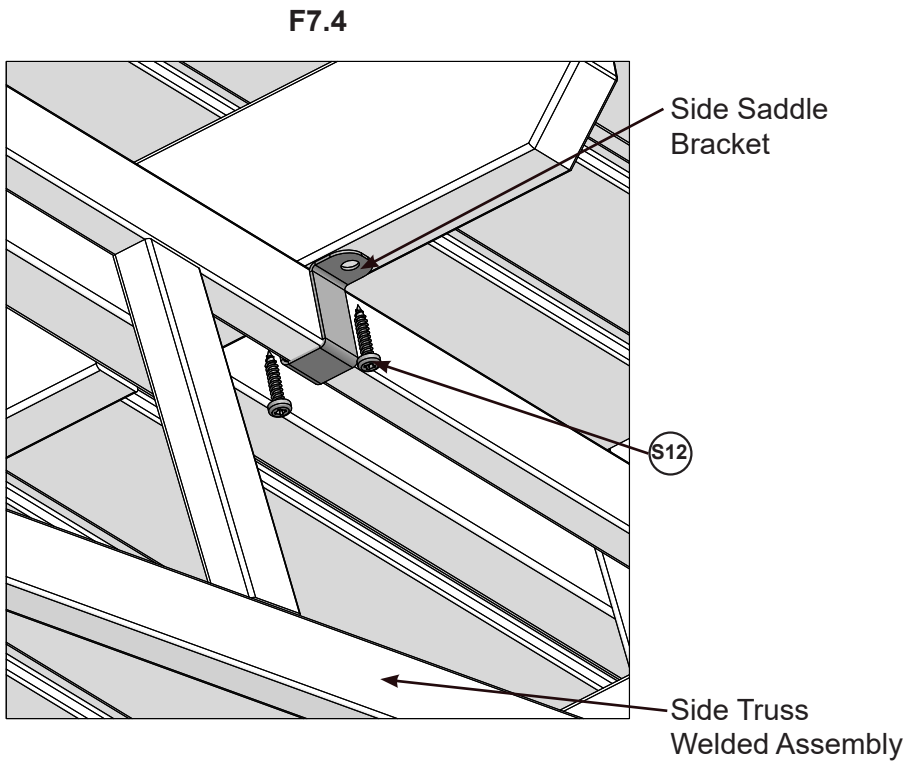
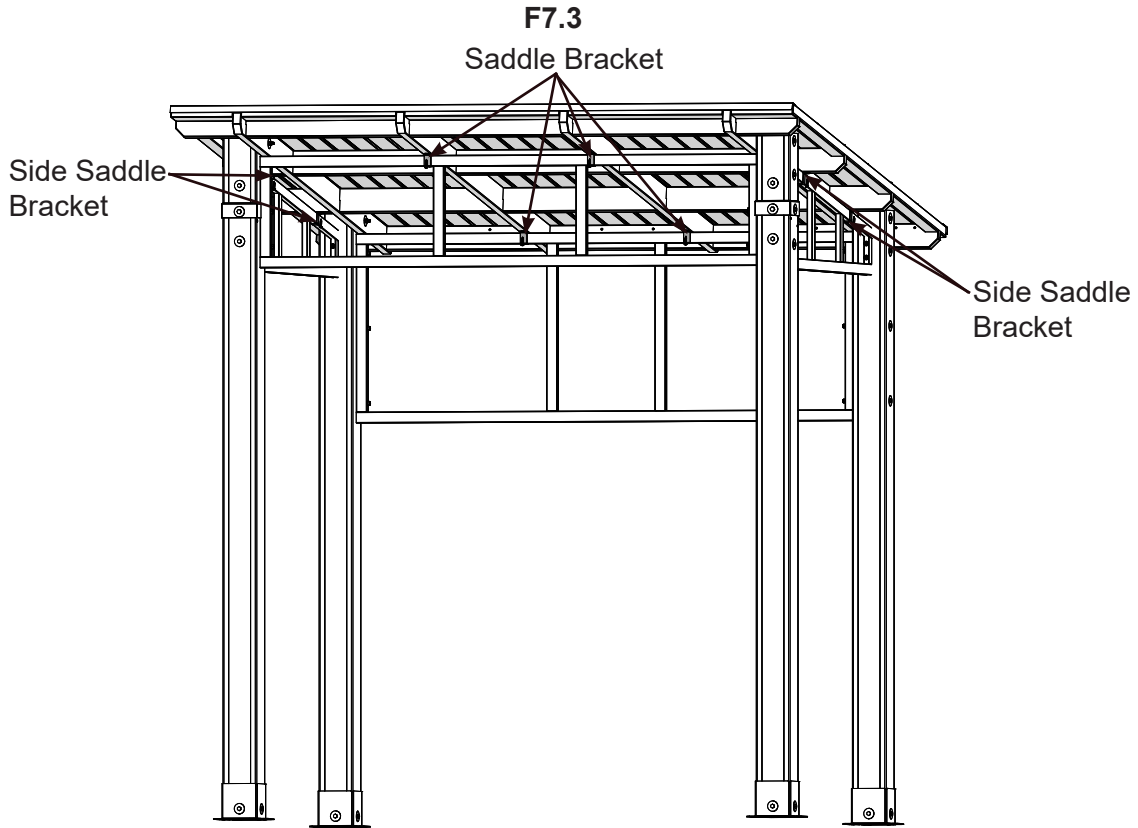
F7.2



Hardware

- 4 x **G7** 5/16 x 6-3/4" Hex Bolt
- 8 x **FW12** 1/4 - 5/16" Large Washer
- 4 x **LN2** 5/16" Lock Nut

Step 7: Attach Roof Panel Assembly Part 2



Components

- 4 x Saddle Bracket
- 4 x Side Saddle Bracket

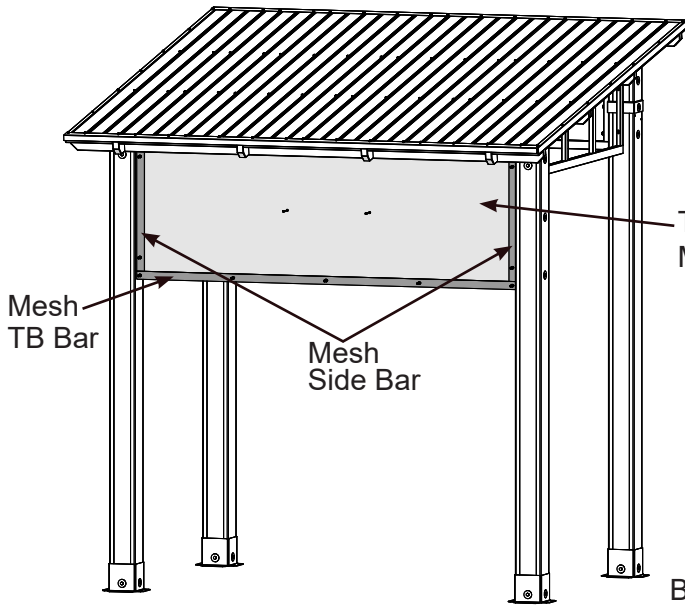
Hardware

- 16 x S12 #10 x 1-1/4" Pan Screw

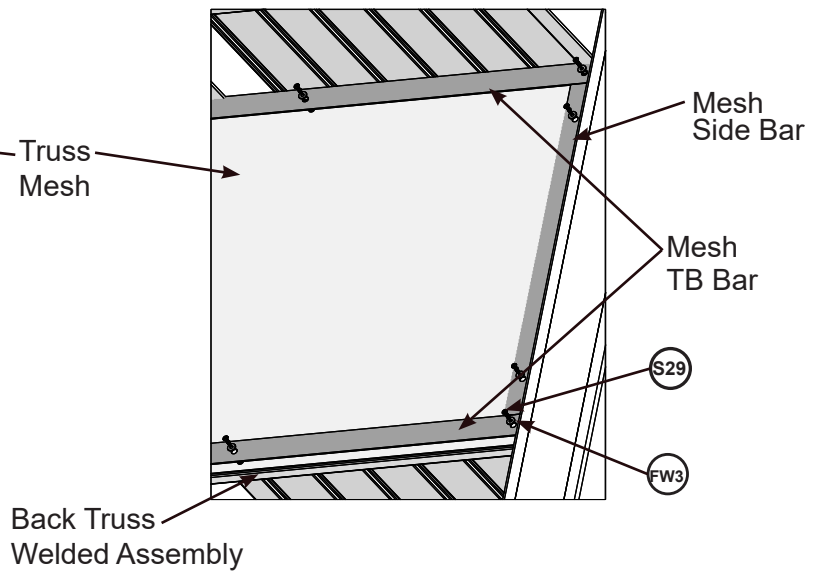
Step 8: Attach Truss Mesh



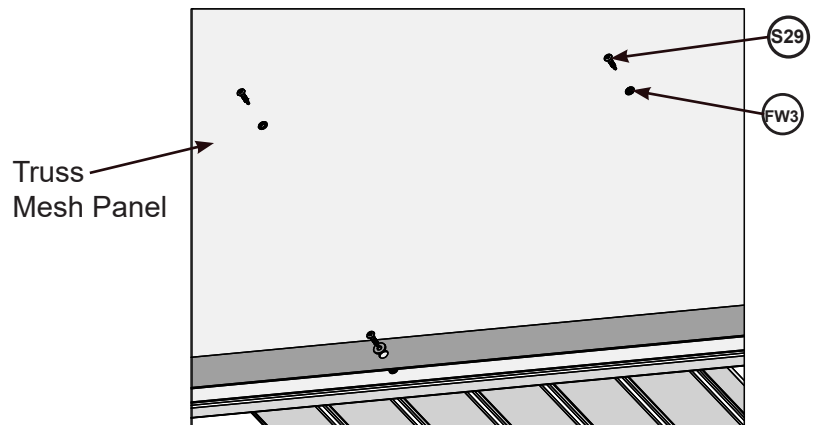
F8.1
Back View



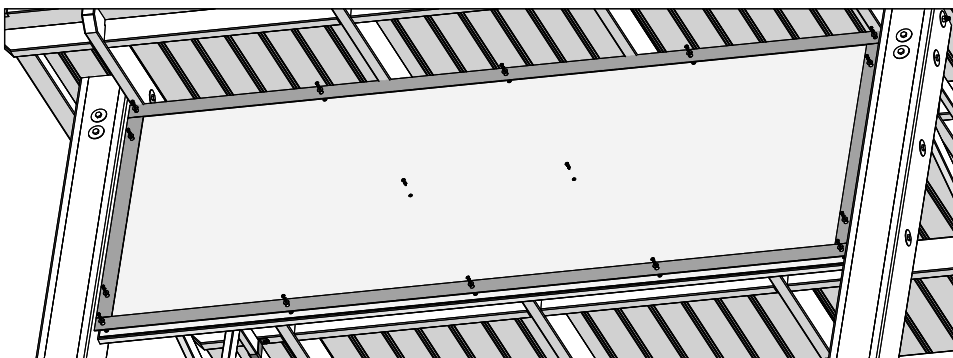
F8.3



F8.4



F8.2



Components

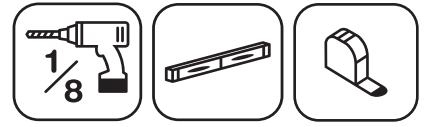
- 1 x Truss Mesh
- 2 x Mesh Side Bar
- 2 x Mesh TB Bar

Hardware

- 16 x Pan Head Self Drilling Screw #8 x 3/4"
- 16 x #8 Flat Washer

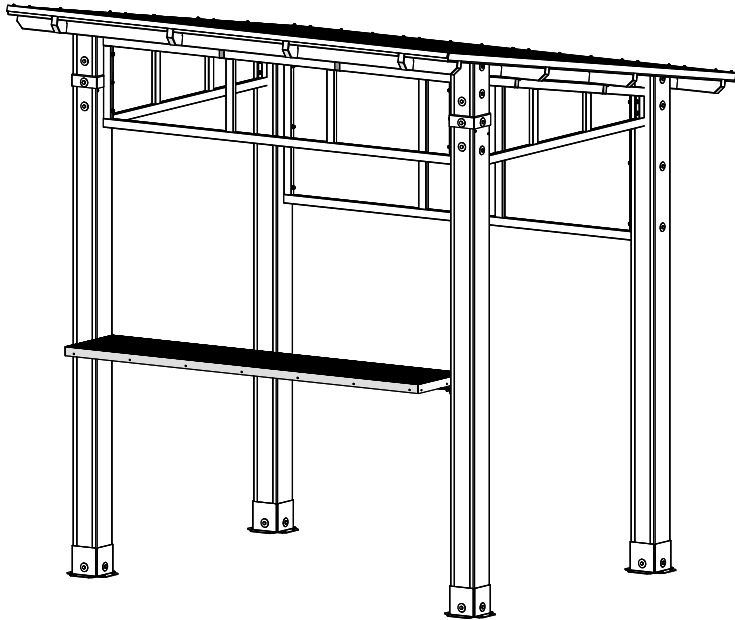
Step 9: Install Counter

Part 1

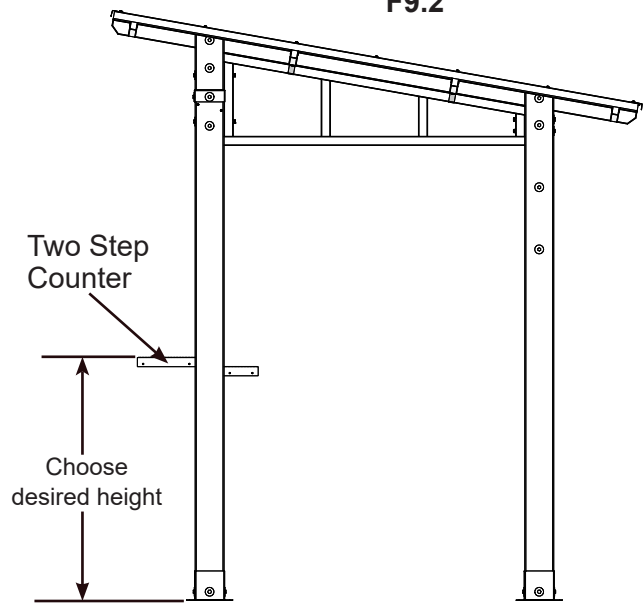


Note: Pre-drill all pilot holes using a 1/8" drill bit before installing Lag Screws.

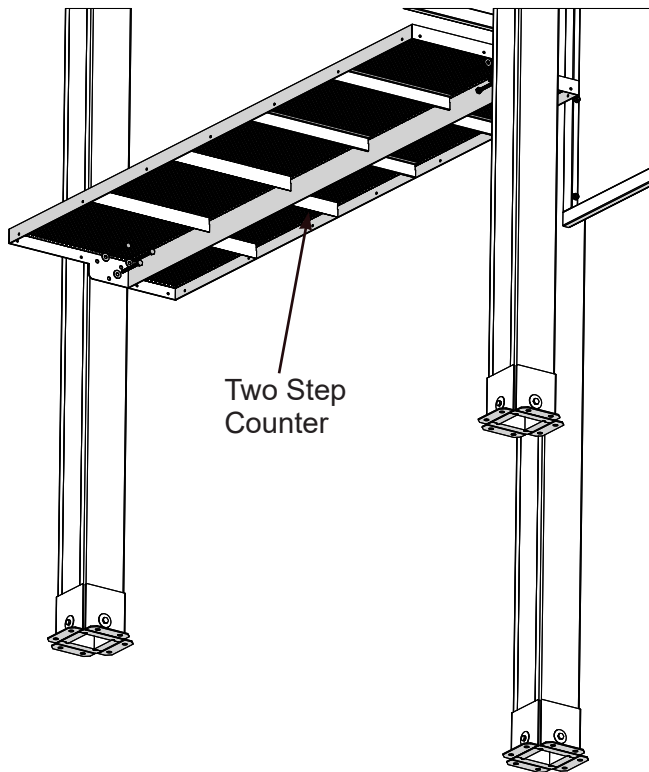
F9.1



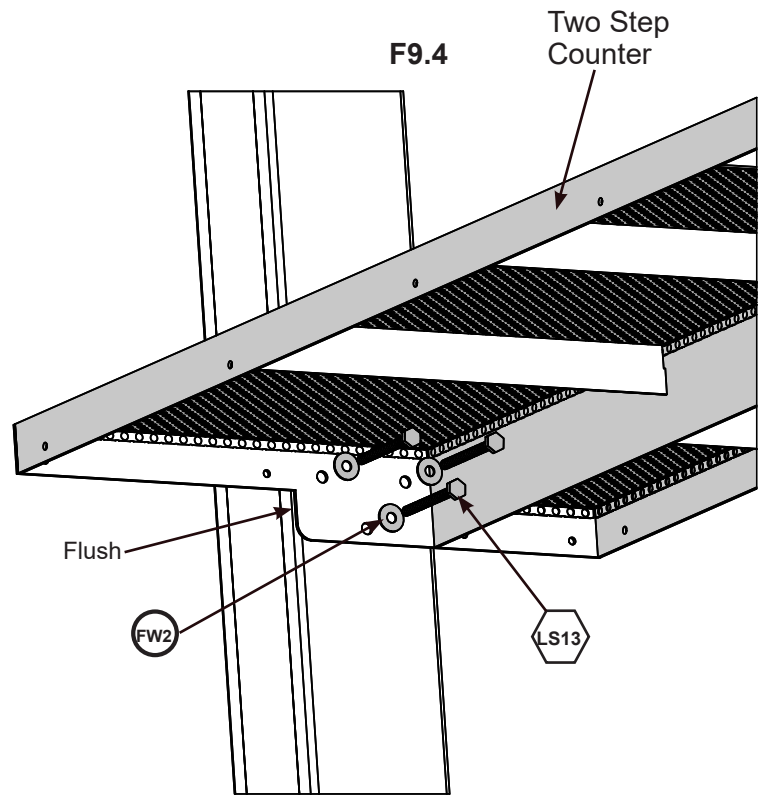
F9.2



F9.3



F9.4




Components

1 x Two Step Counter

Hardware

6 x  5/16 x 2" Hex Lag

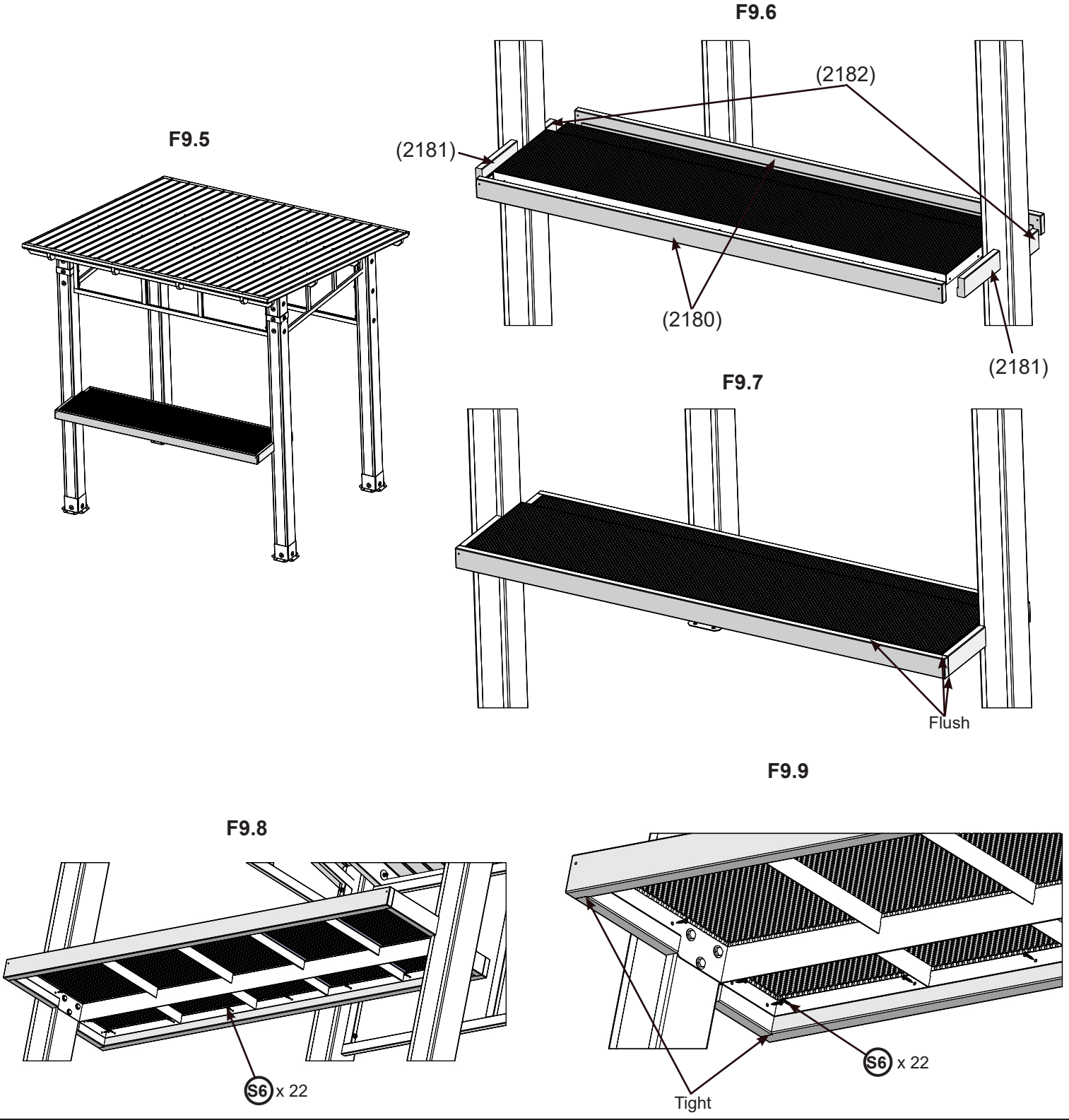
6 x  5/16" Flat Washer

Step 9: Install Counter

Part 2



Note: Pre-drill all pilot holes using a 1/8" drill bit before installing Pan Screws.



Wood Parts

- 2 x (2180) Edge A
- 2 x (2181) Edge B
- 2 x (2182) Edge C

Hardware

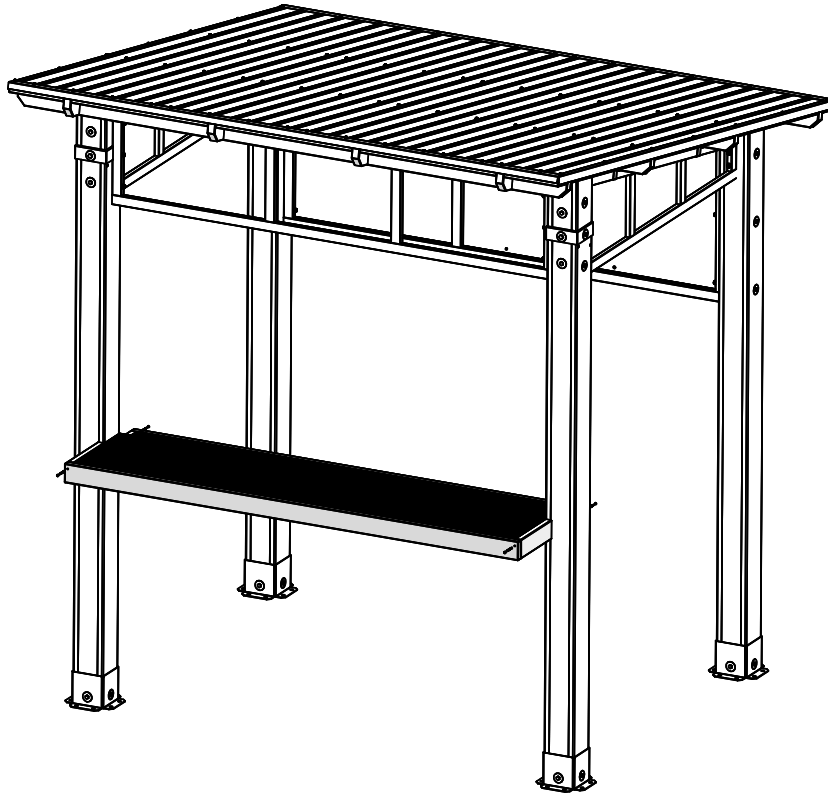
- 22 x **S6** #12 x 1" Pan Screw

Step 9: Install Counter

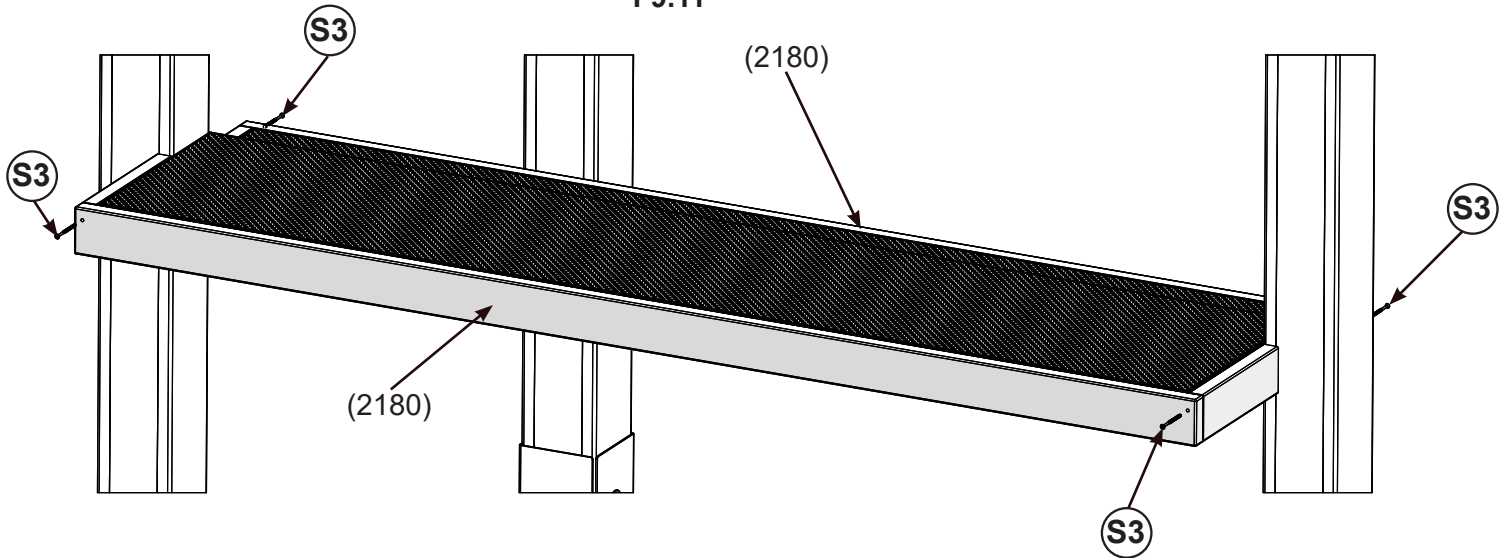
Part 3



F9.10



F9.11



Hardware

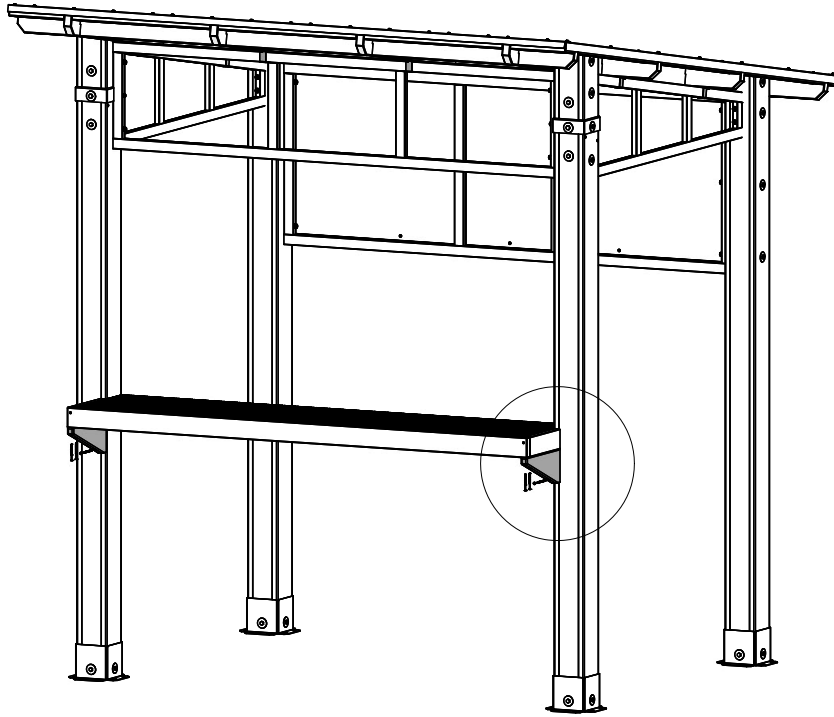
4 x **(S3)** #8 x 2-1/2" Wood Screw

Step 9: Install Counter

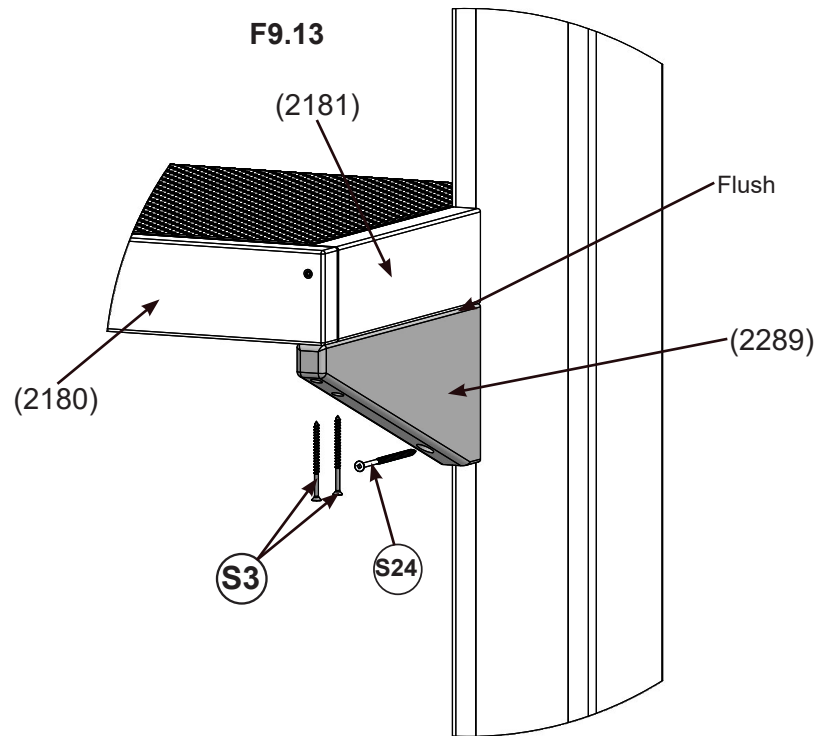
Part 4



F9.12



F9.13



Wood Parts

2 x (2289) Counter Gusset

Hardware

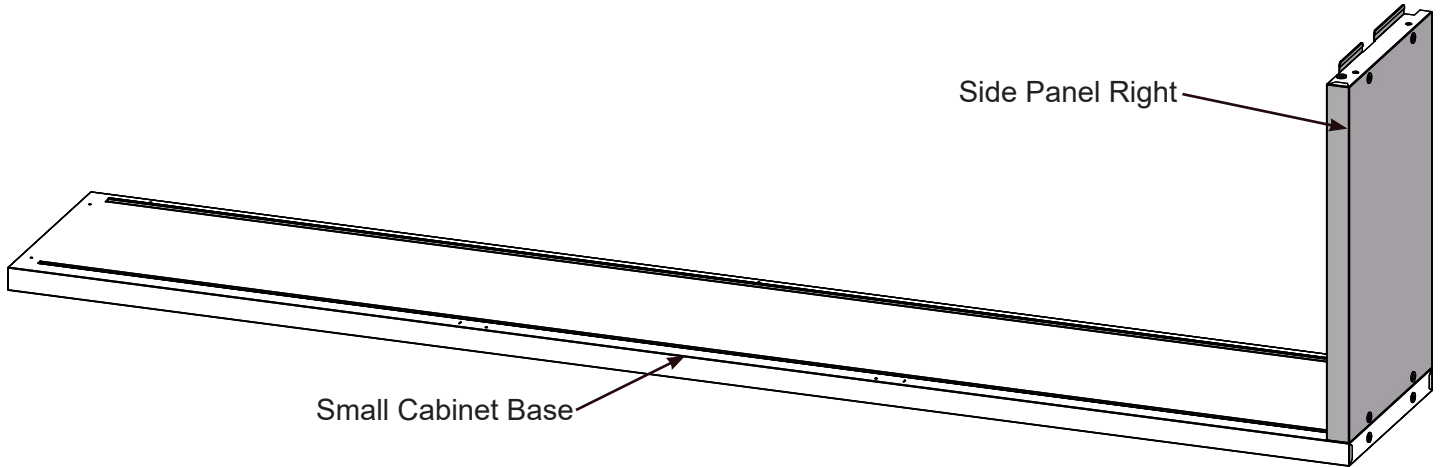
4 x (S3) #8 x 2-1/2" Wood Screw

2 x (S24) #10 x 4" Wood Screw

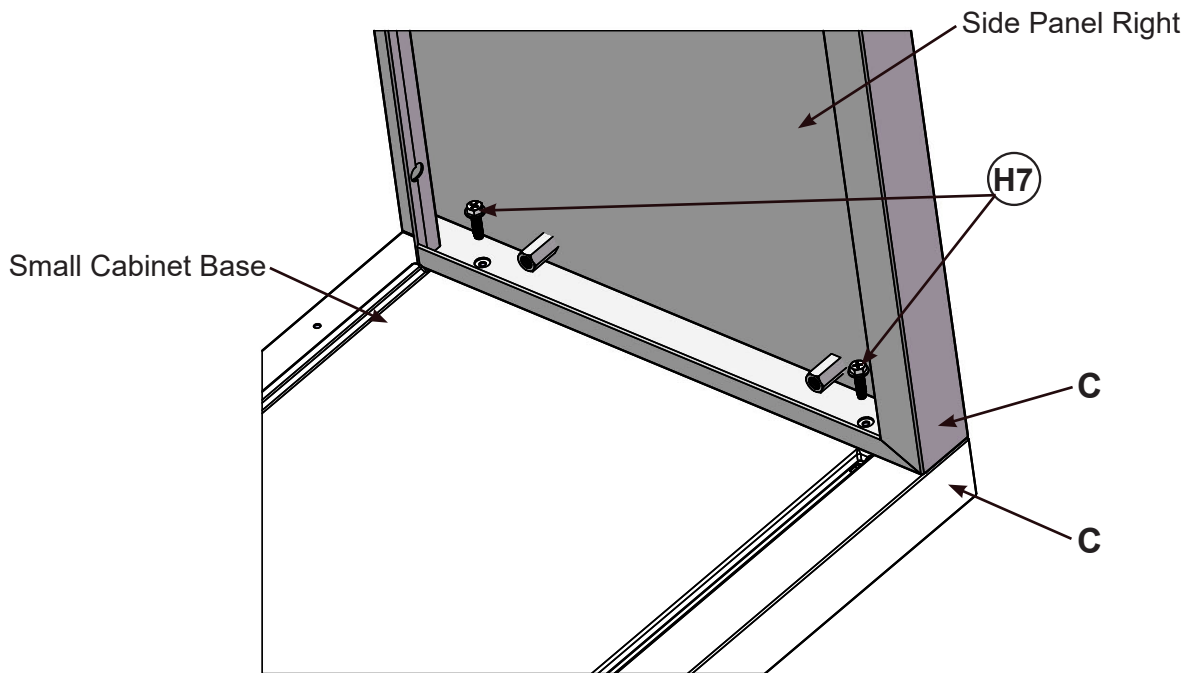
Step 10: Small Cabinet Assembly

Part 1

F10.1



F10.2



Components

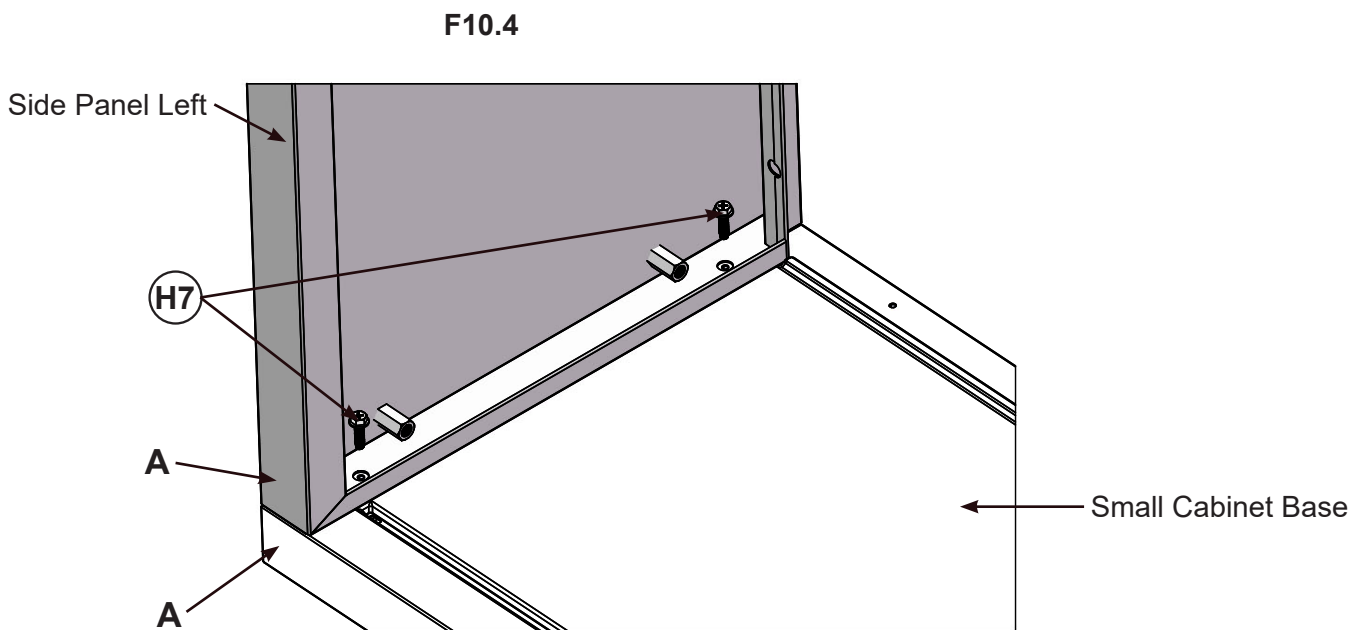
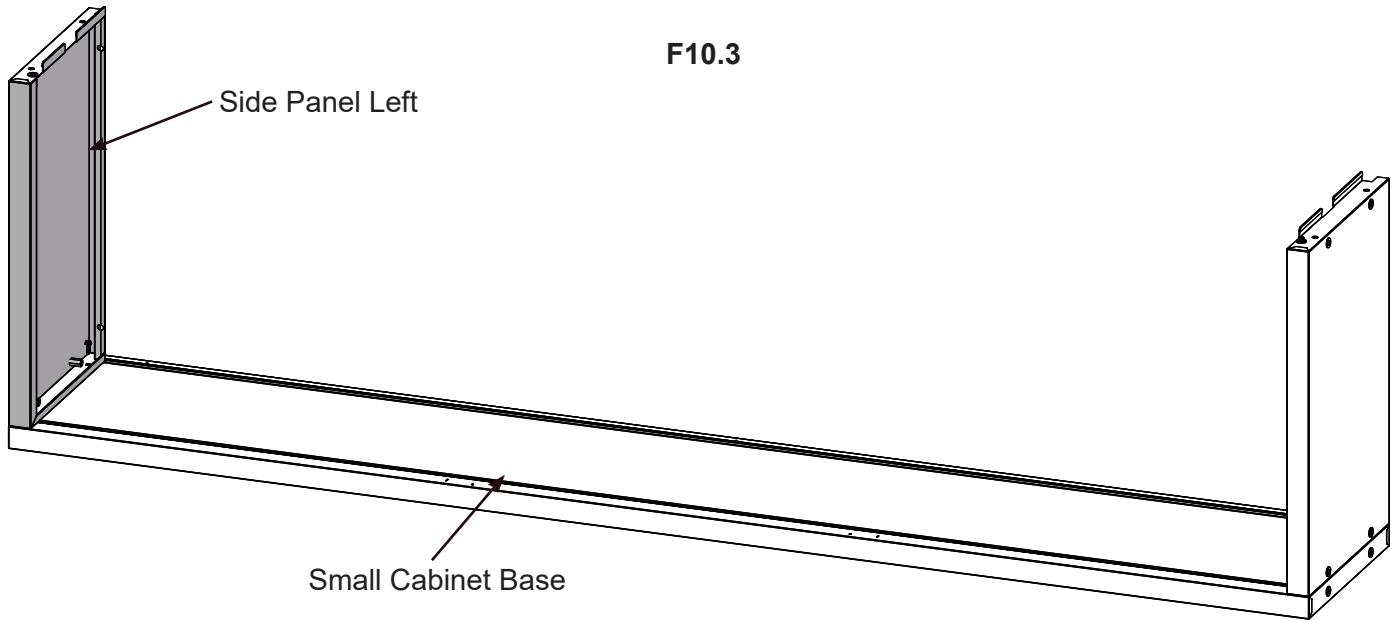
- 1 x Small Cabinet Base
- 1 x Side Panel Right

Hardware

- 2 x (H7) Outer Hexagonal Stainless Steel Bolt M6 14

Step 10: Small Cabinet Assembly

Part 2



Components

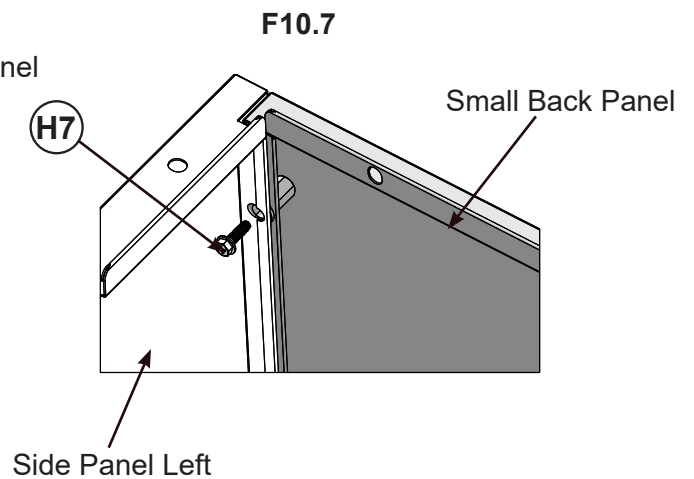
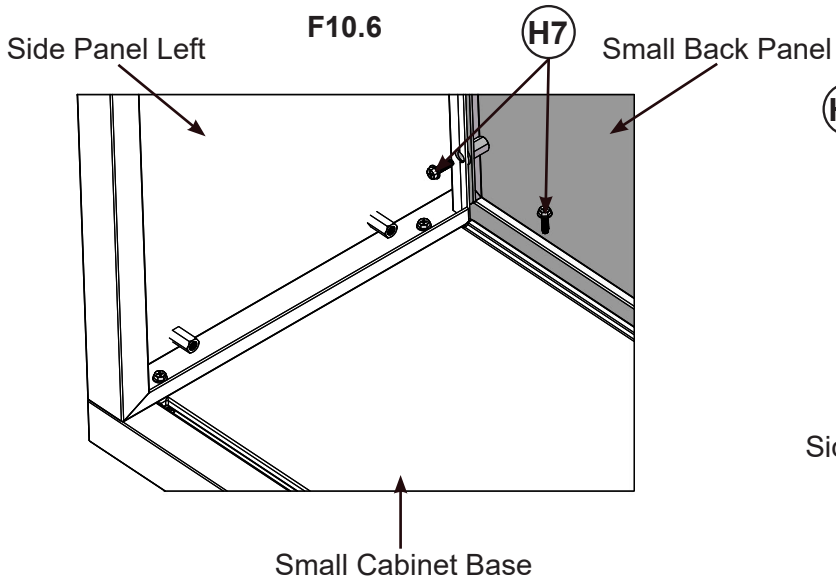
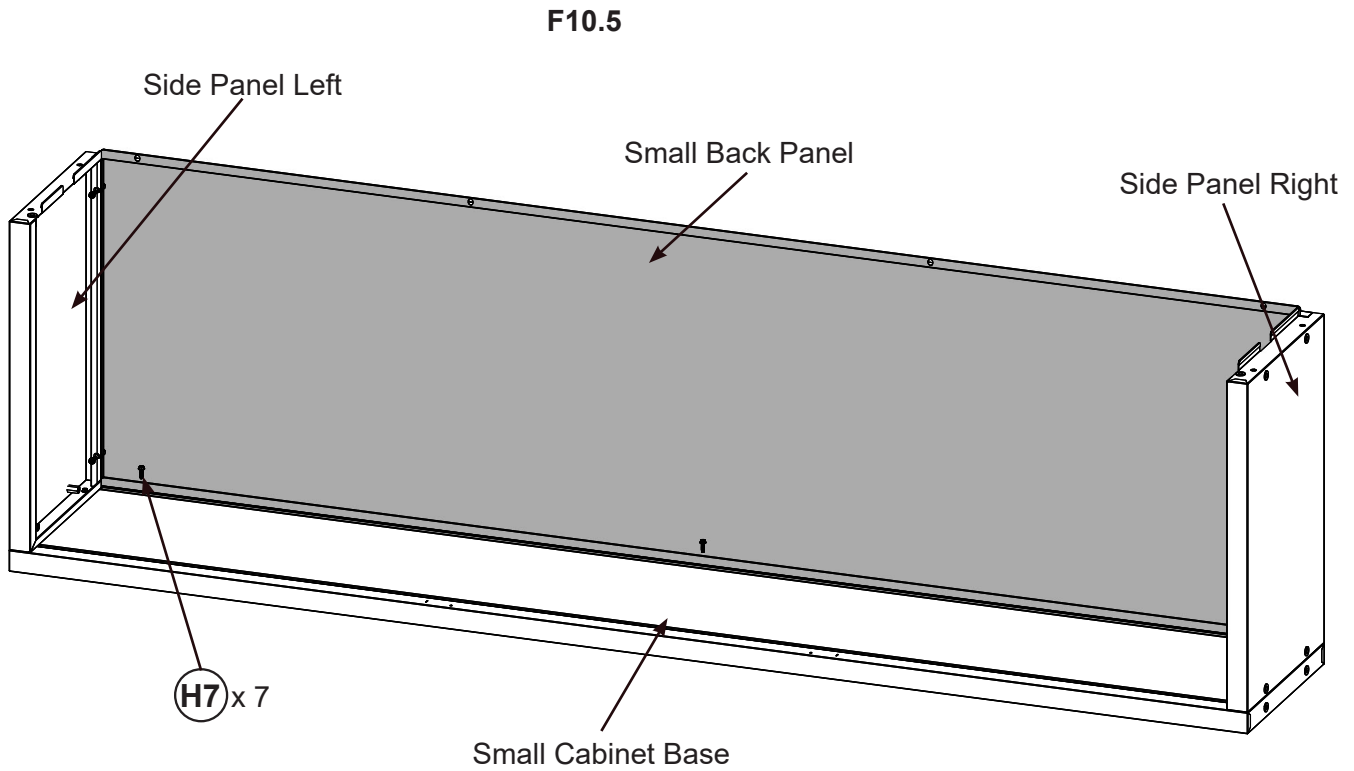
1 x Side Panel Left

Hardware

2 x H7 Outer Hexagonal Stainless Steel Bolt M6 14

Step 10: Small Cabinet Assembly

Part 3



Components

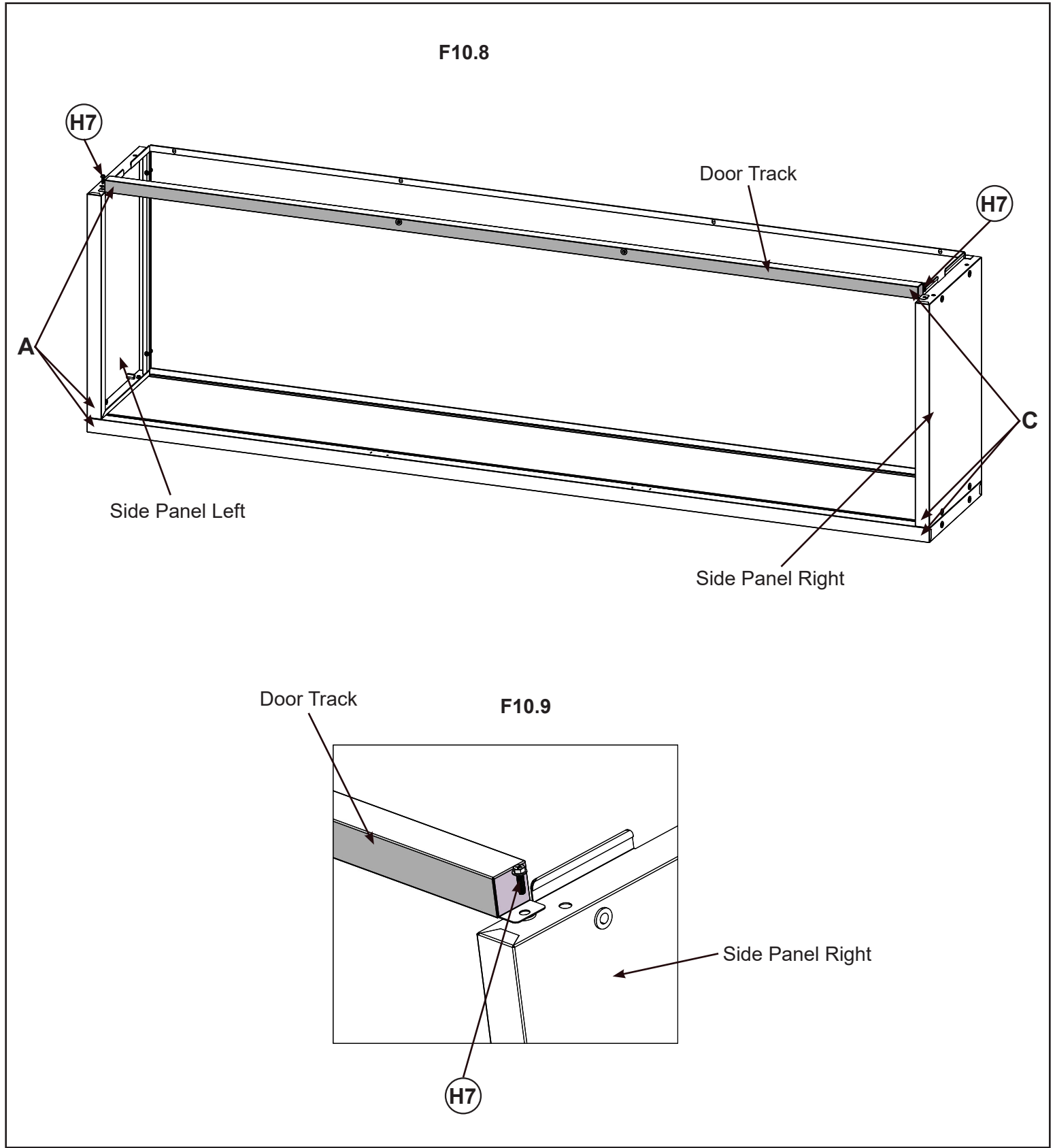
1 x Small Back Panel

Hardware

7 x (H7) Outer Hexagonal Stainless Steel Bolt M6 14

Step 10: Small Cabinet Assembly

Part 4



Components

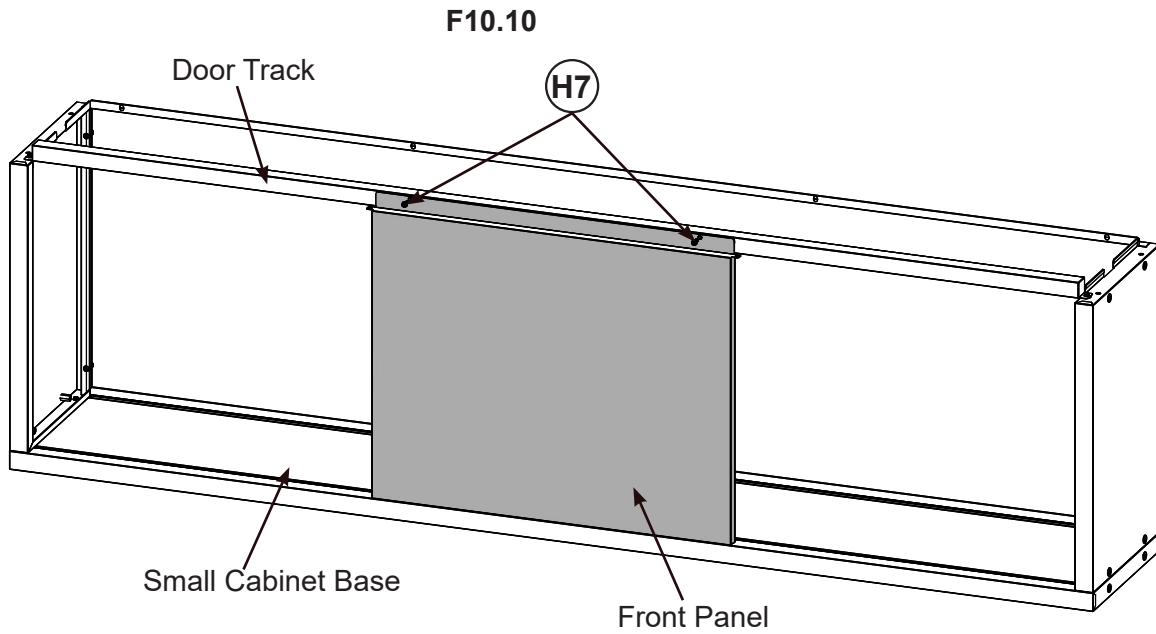
1 x Door Track

Hardware

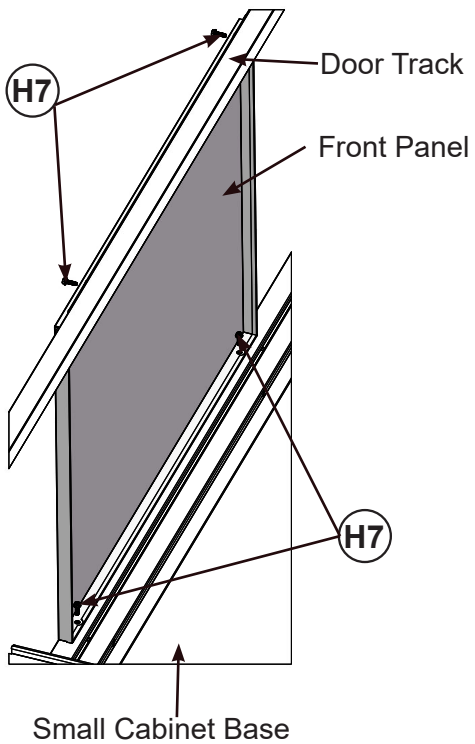
2 x **(H7)** Outer Hexagonal Stainless Steel Bolt M6 14

Step 10: Small Cabinet Assembly

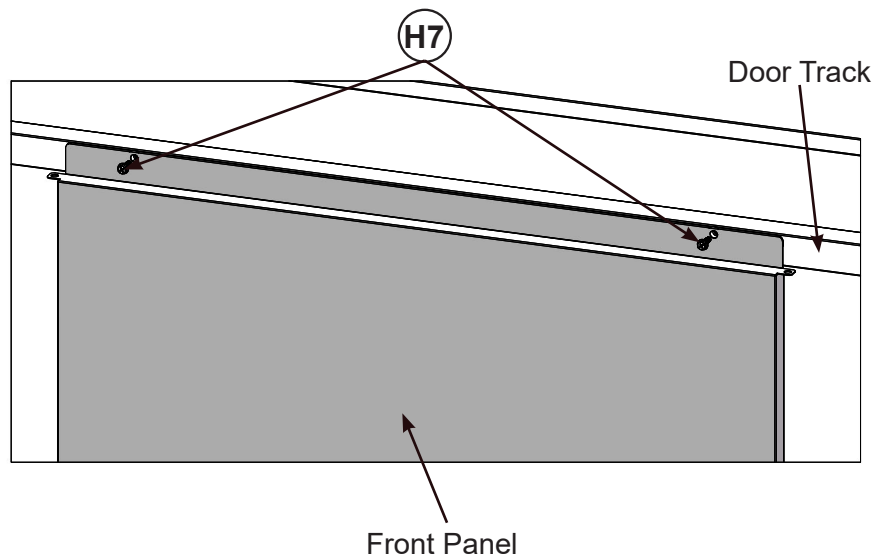
Part 5



F10.11
Inside View



F10.12



Components

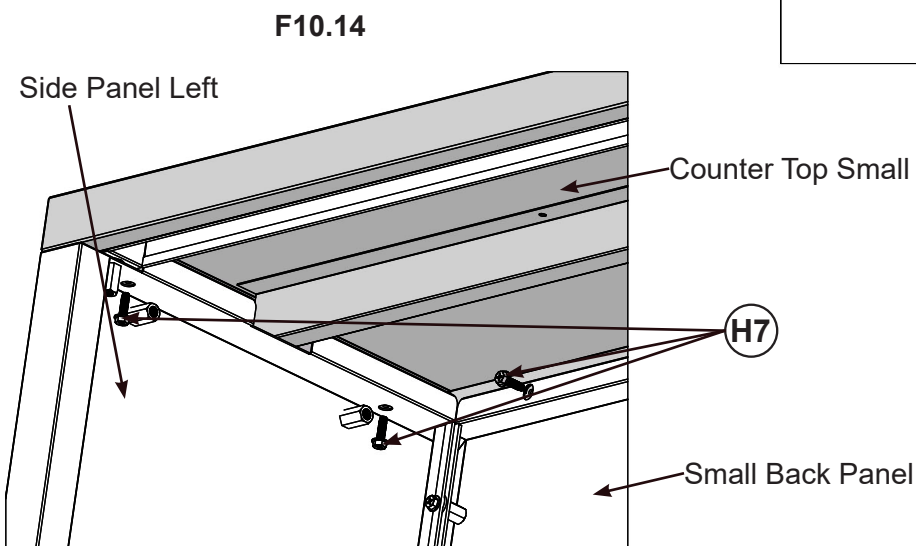
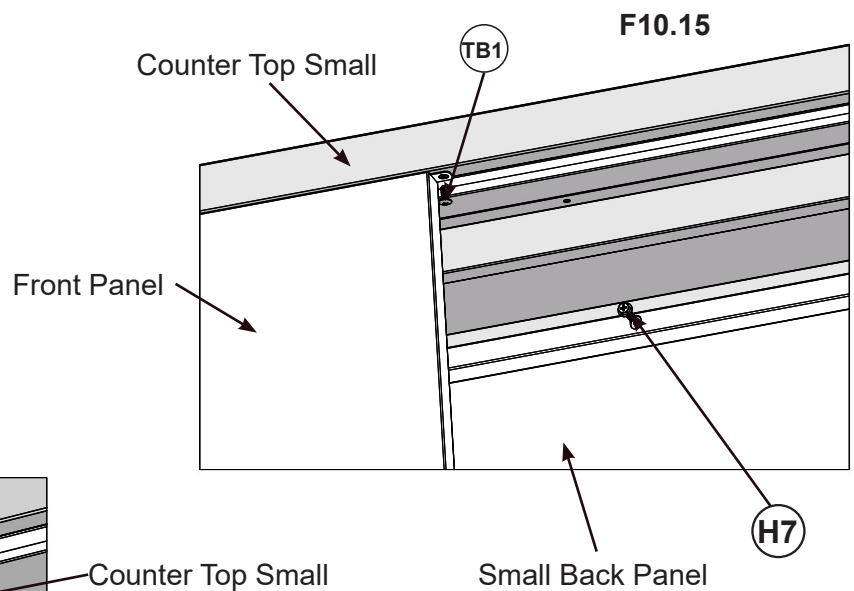
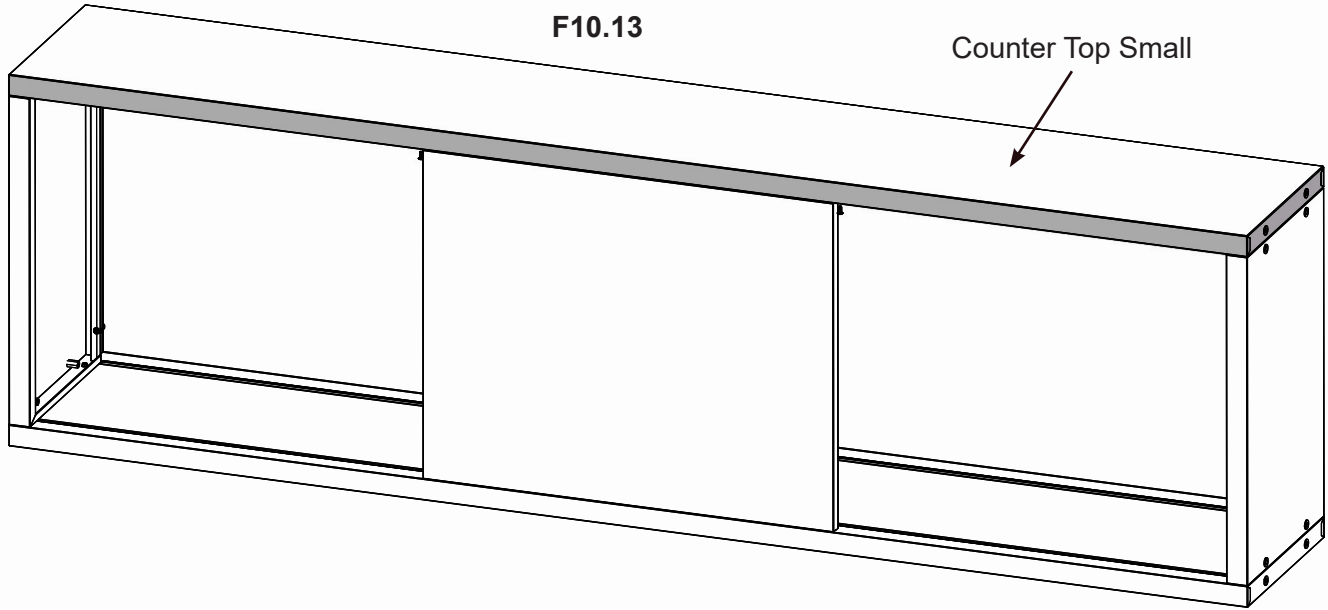
1 x Front Panel

Hardware

4 x **(H7)** Outer Hexagonal Stainless Steel Bolt M6 14

Step 10: Small Cabinet Assembly

Part 6



Components

1 x Counter Top Small

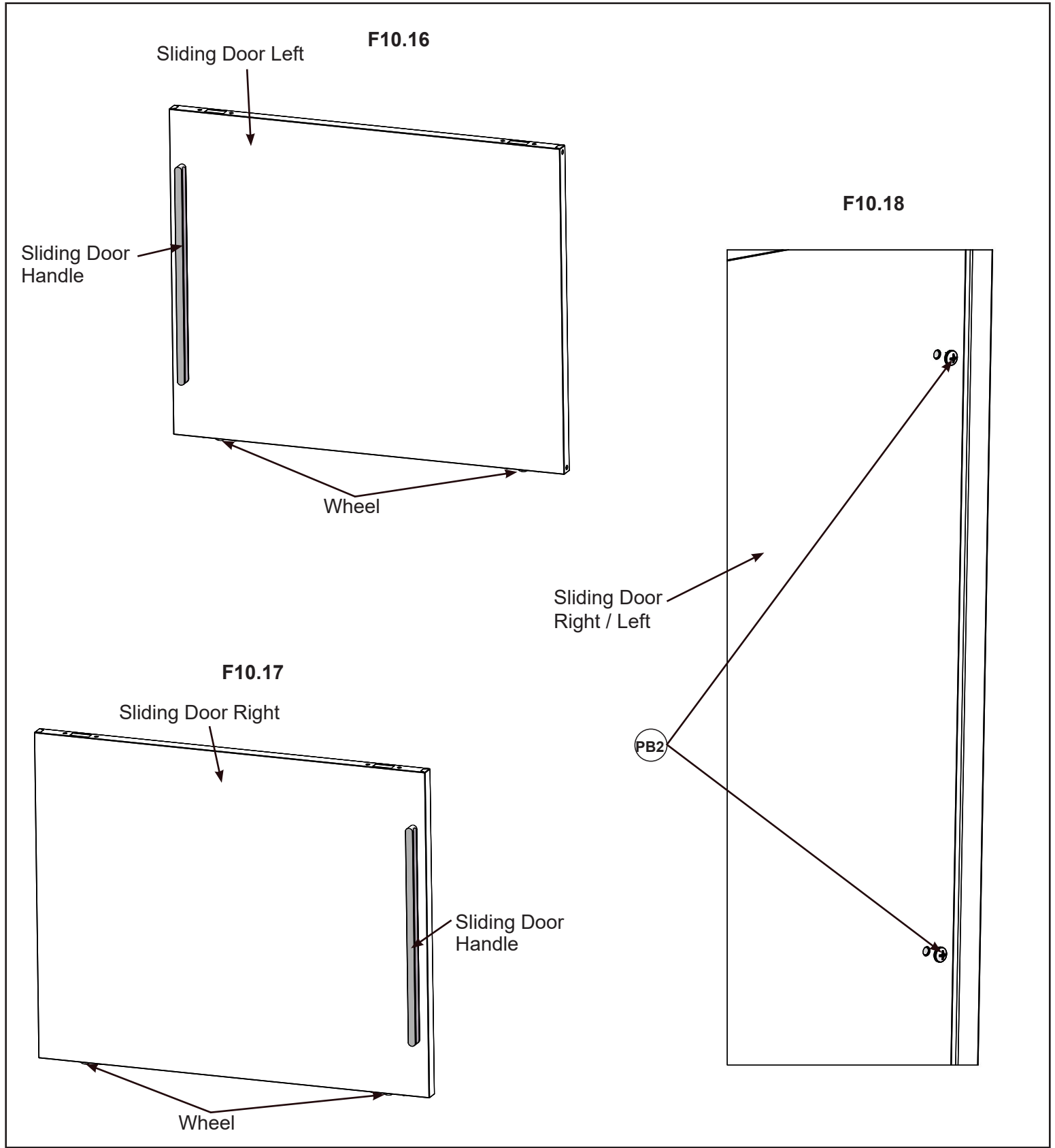
Hardware

8 x (H7) Outer Hexagonal Stainless Steel Bolt M6 14

2 x (TB1) M4 0.7-10 Cross Recessed Large Round Head Bolt

Step 10: Small Cabinet Assembly

Part 7



Components

- 1 x Sliding Door Left
- 1 x Sliding Door Right
- 2 x Sliding Door Handle

Hardware

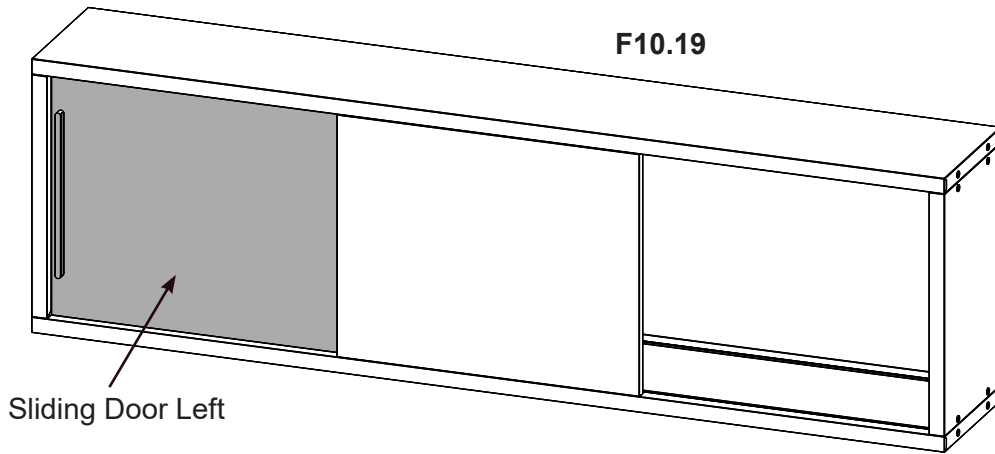
- 4 x **(PB2)** M4 0.7-5 Cross Recessed Round Head Bolt

Step 10: Small Cabinet Assembly

Part 8

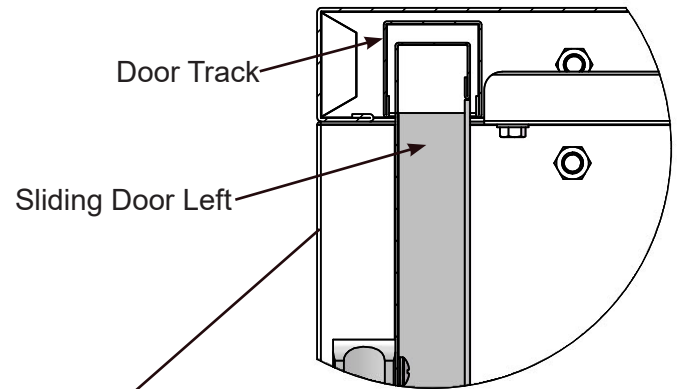
Place Sliding Door Left inside the cabinet, lift up into the Door Track and lower the Door so the Wheel is groove of the Small Cabinet Base.

F10.19

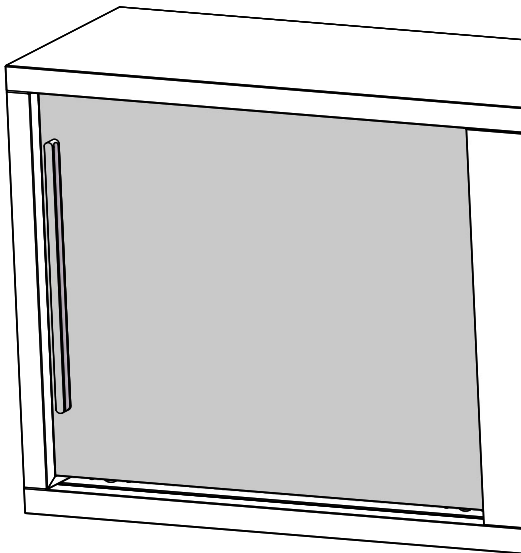


Sliding Door Left

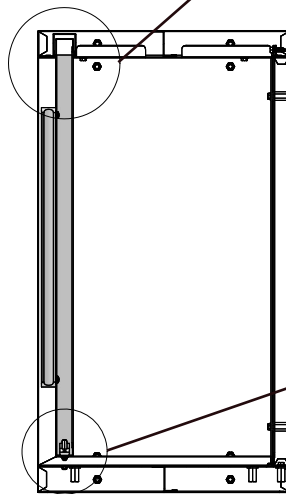
F10.22



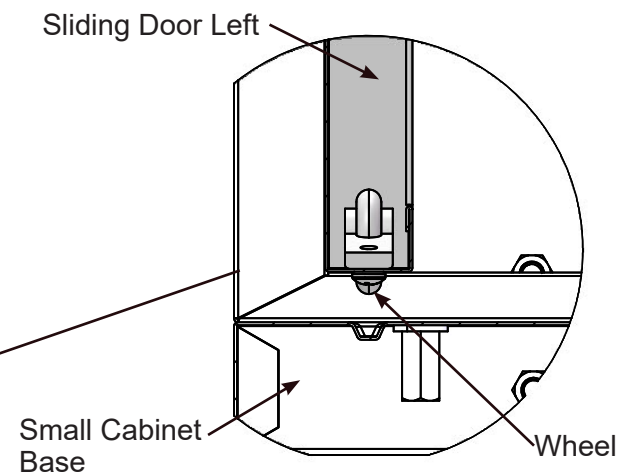
F10.20



F10.21



F10.23

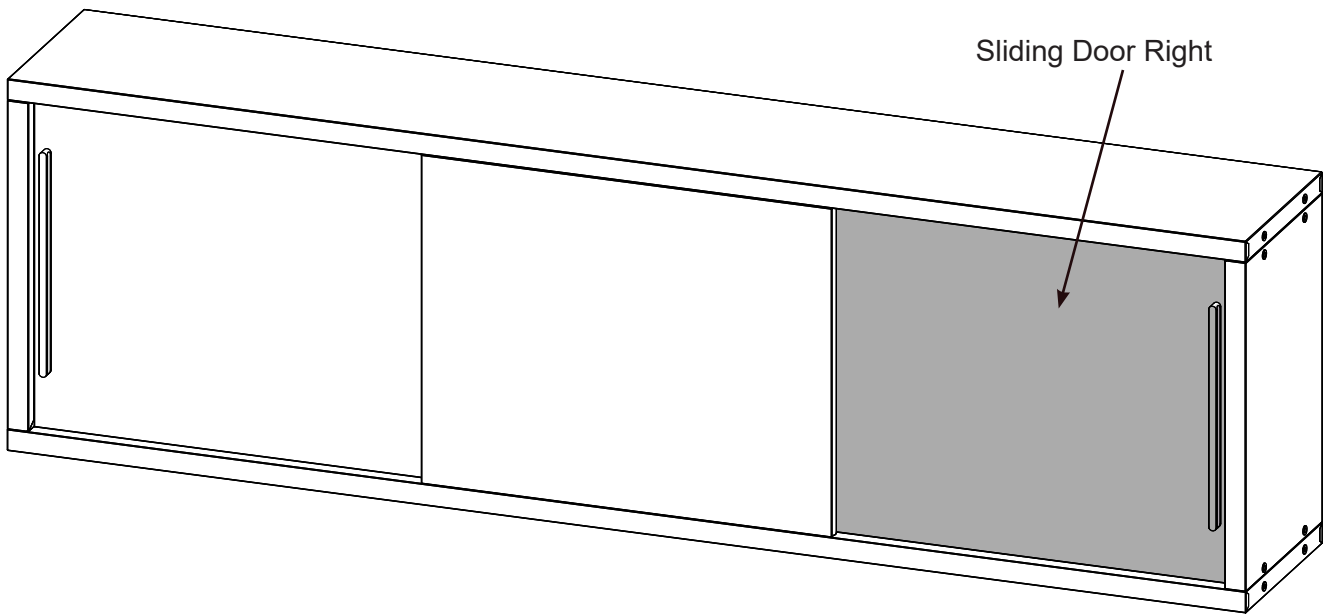


Step 10: Small Cabinet Assembly

Part 9

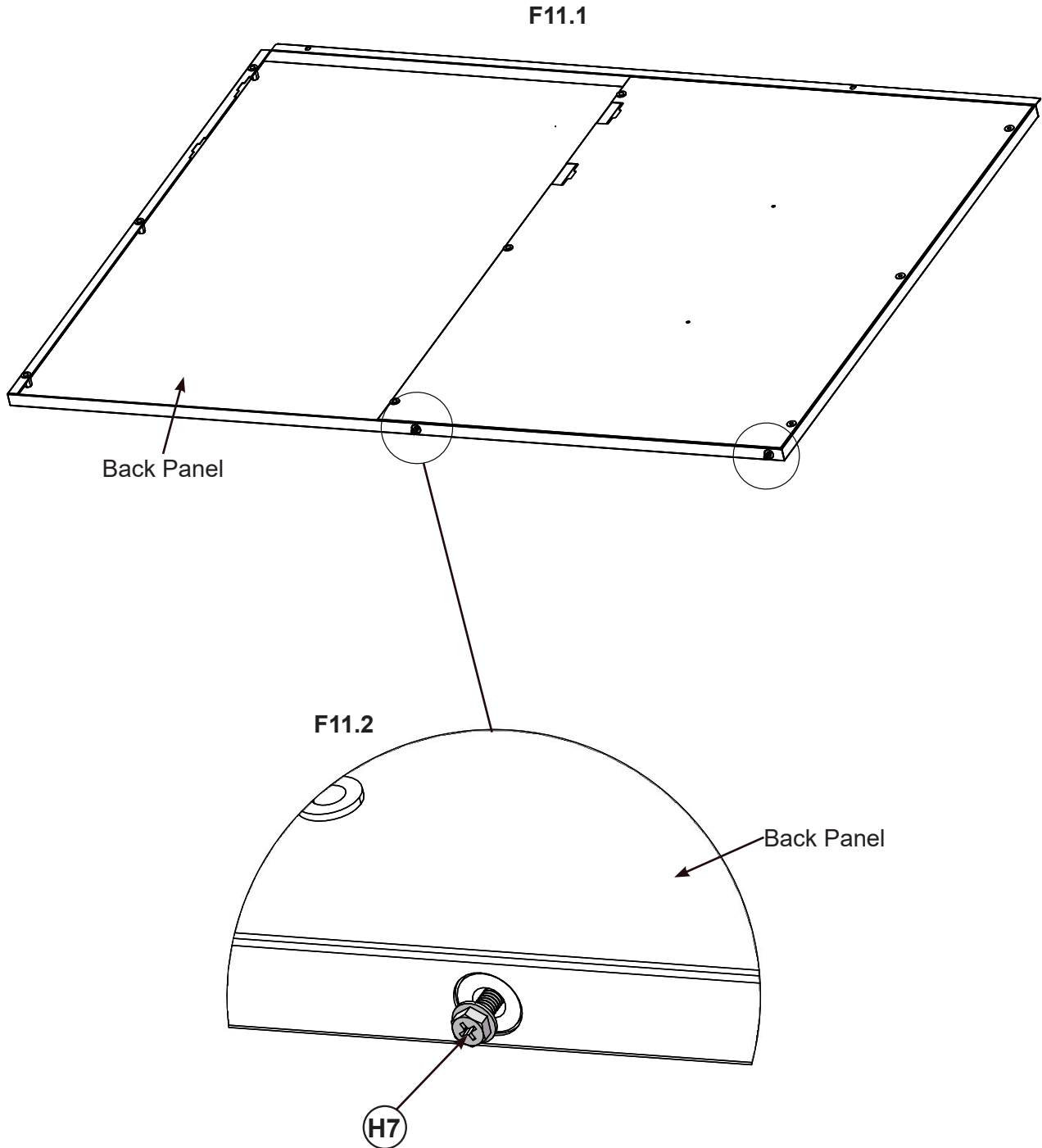
F10.24

Sliding Door Right



Step 11: Large Cabinet Assembly

Part 1



Components

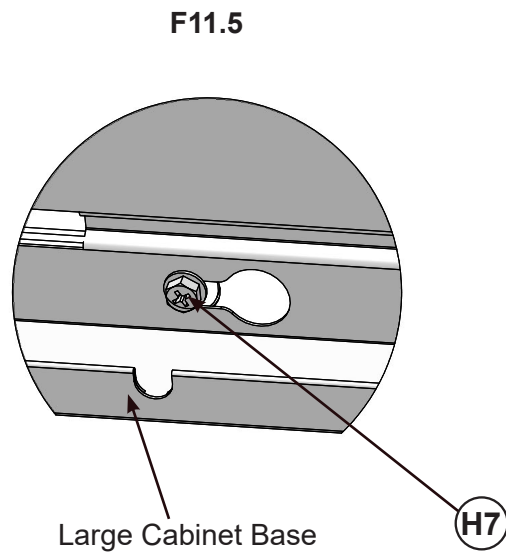
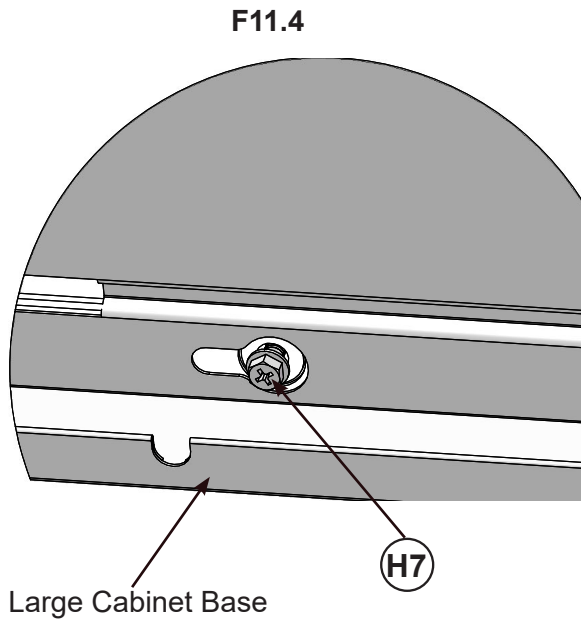
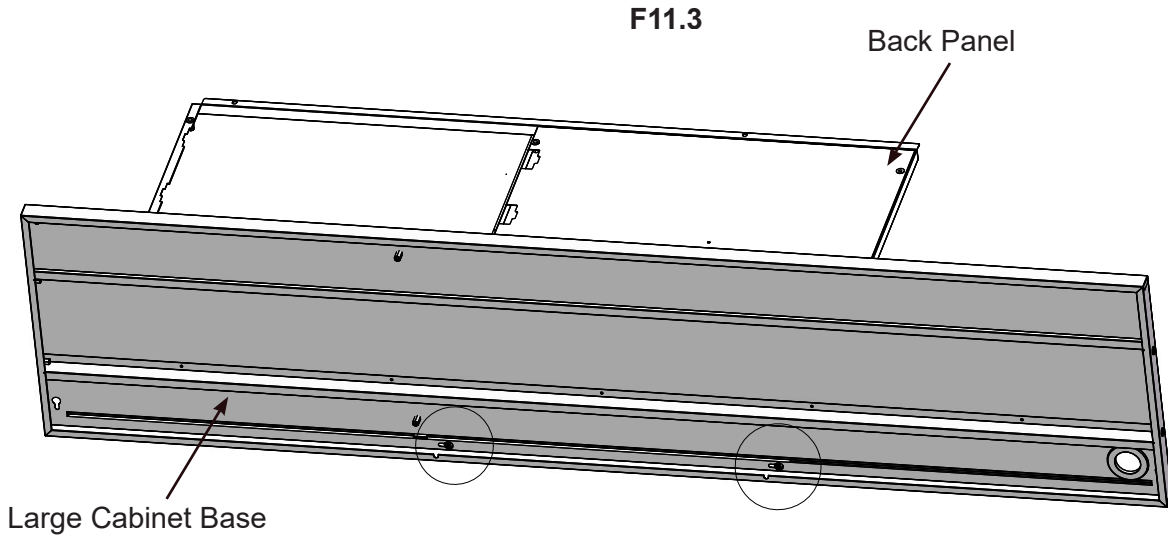
1 x Back Panel

Hardware

2 x (H7) Outer Hexagonal Stainless Steel Bolt M6 14

Step 11: Large Cabinet Assembly

Part 2

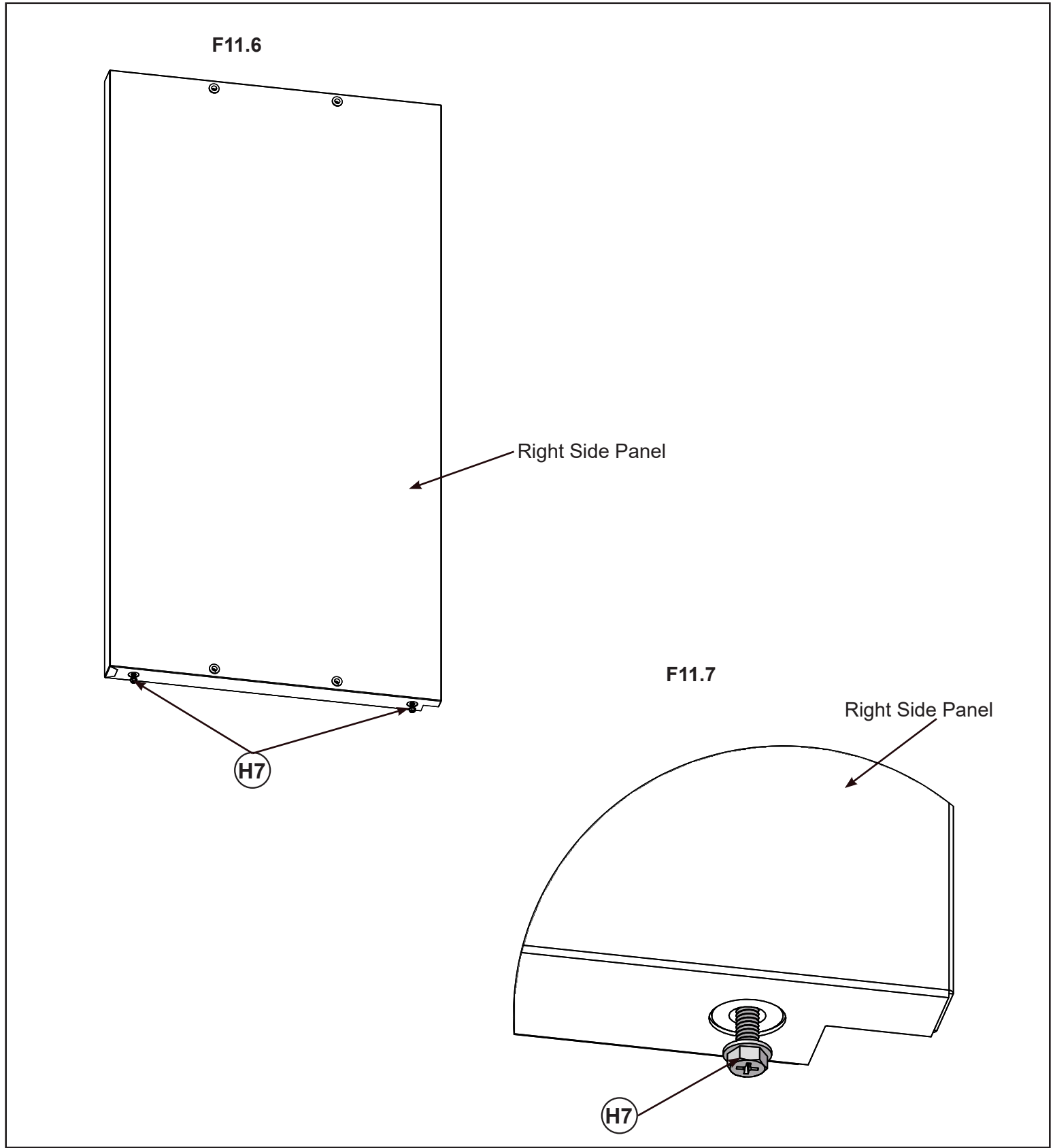


Components

1 x Large Cabinet Base

Step 11: Large Cabinet Assembly

Part 3



Components

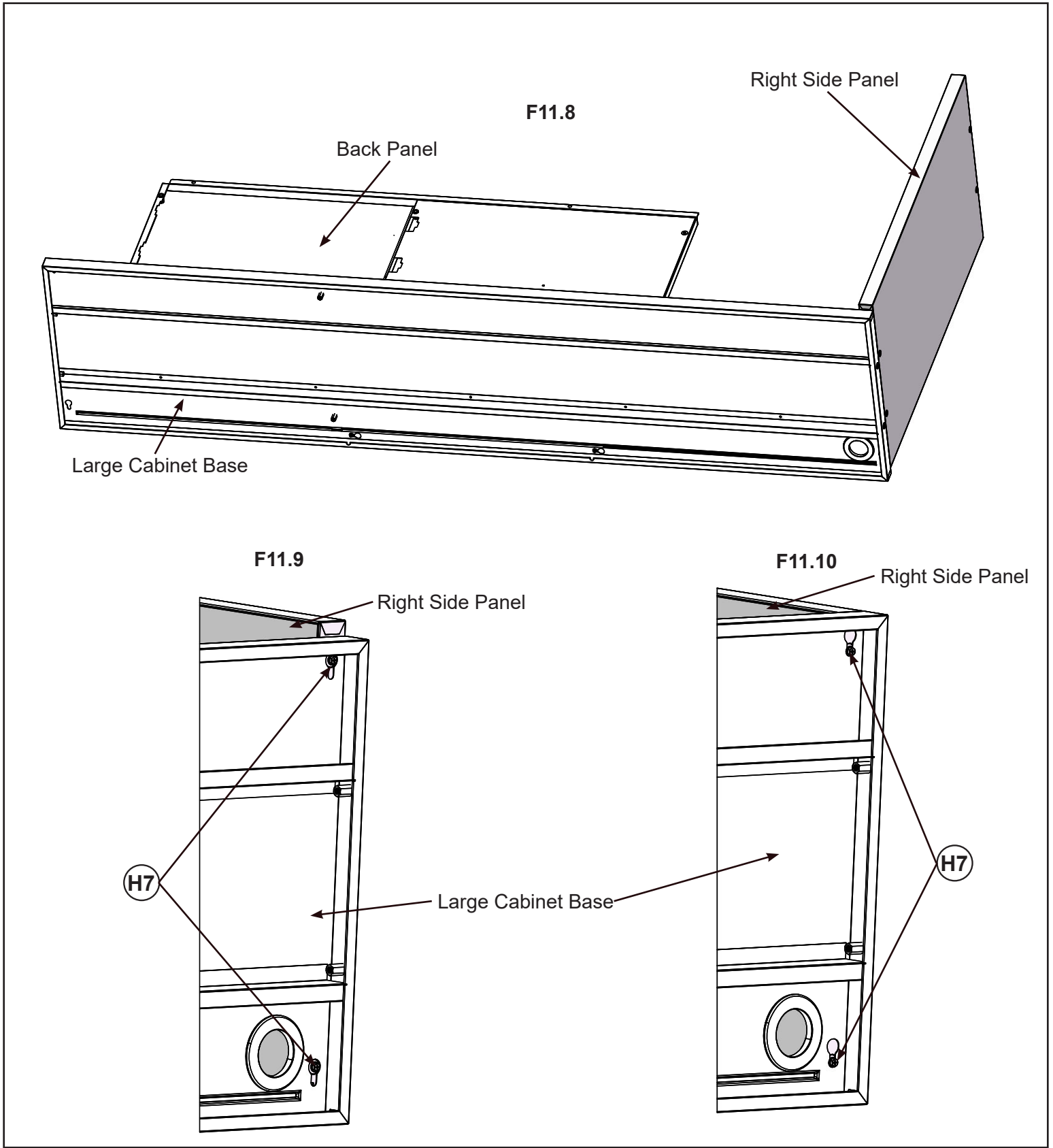
1 x Right Side Panel

Hardware

2 x (H7) Outer Hexagonal Stainless Steel Bolt M6 14

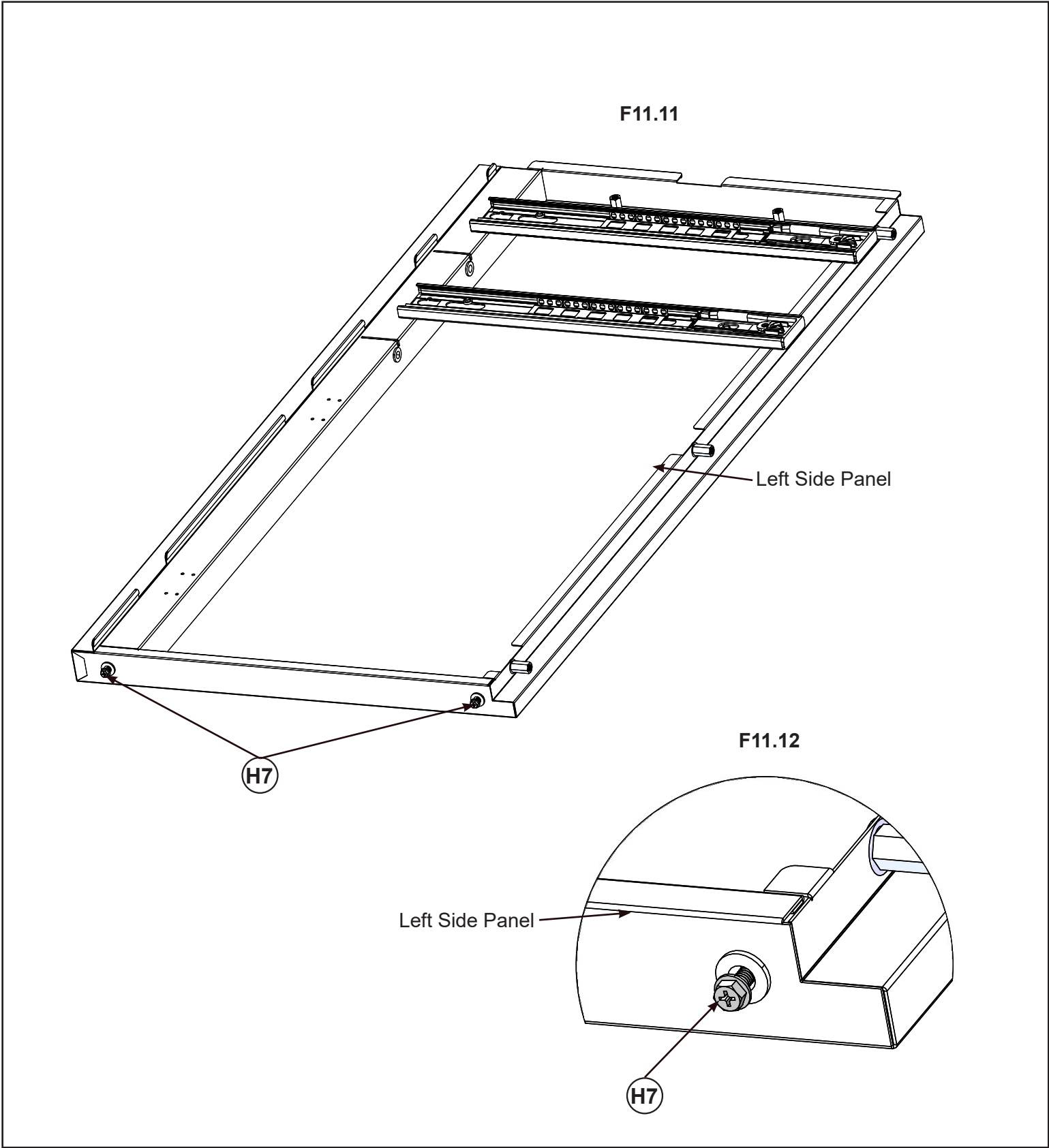
Step 11: Large Cabinet Assembly

Part 4



Step 11: Large Cabinet Assembly

Part 5



Components

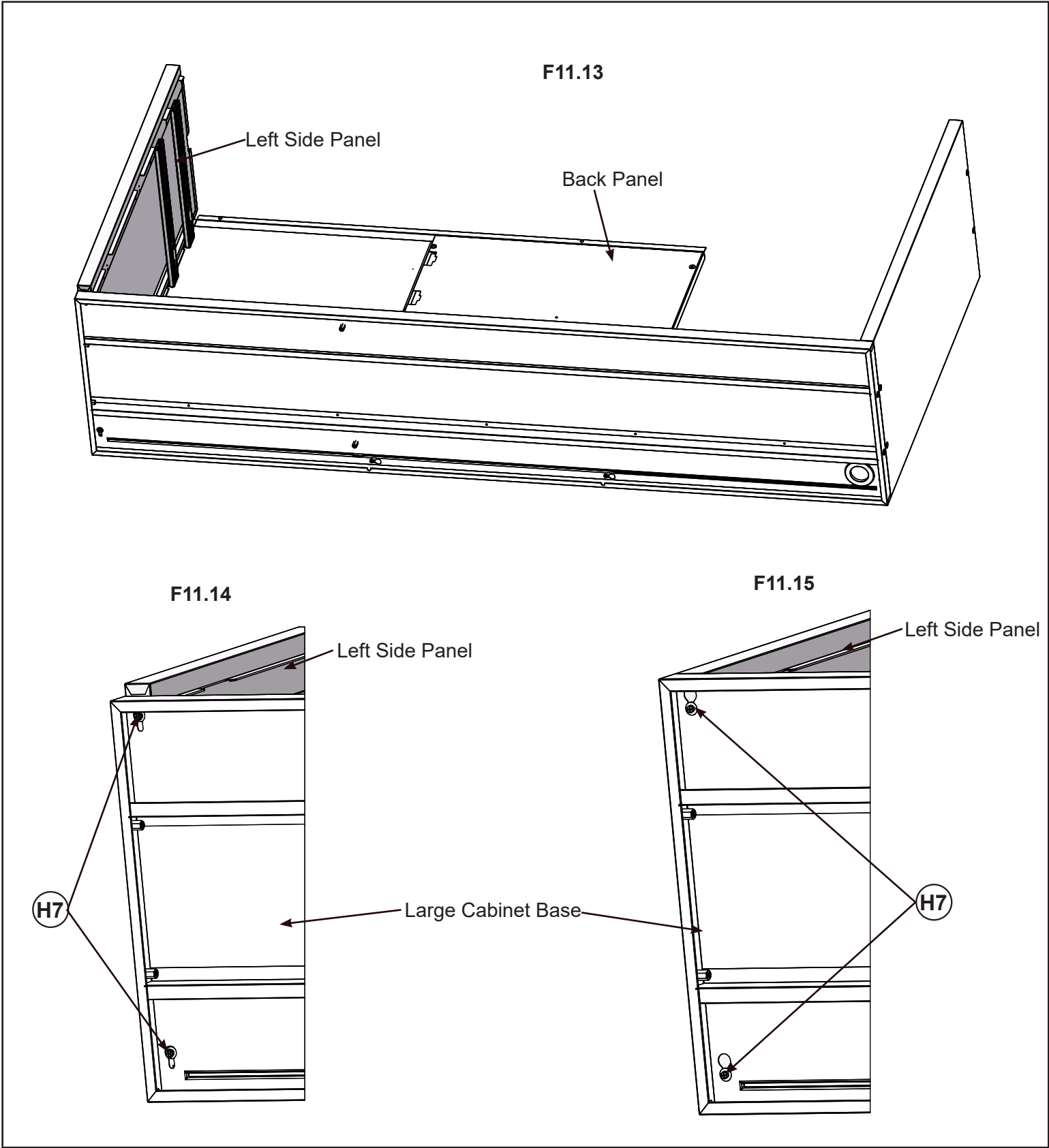
1 x Left Side Panel

Hardware

2 x **H7** Outer Hexagonal Stainless Steel Bolt M6 14

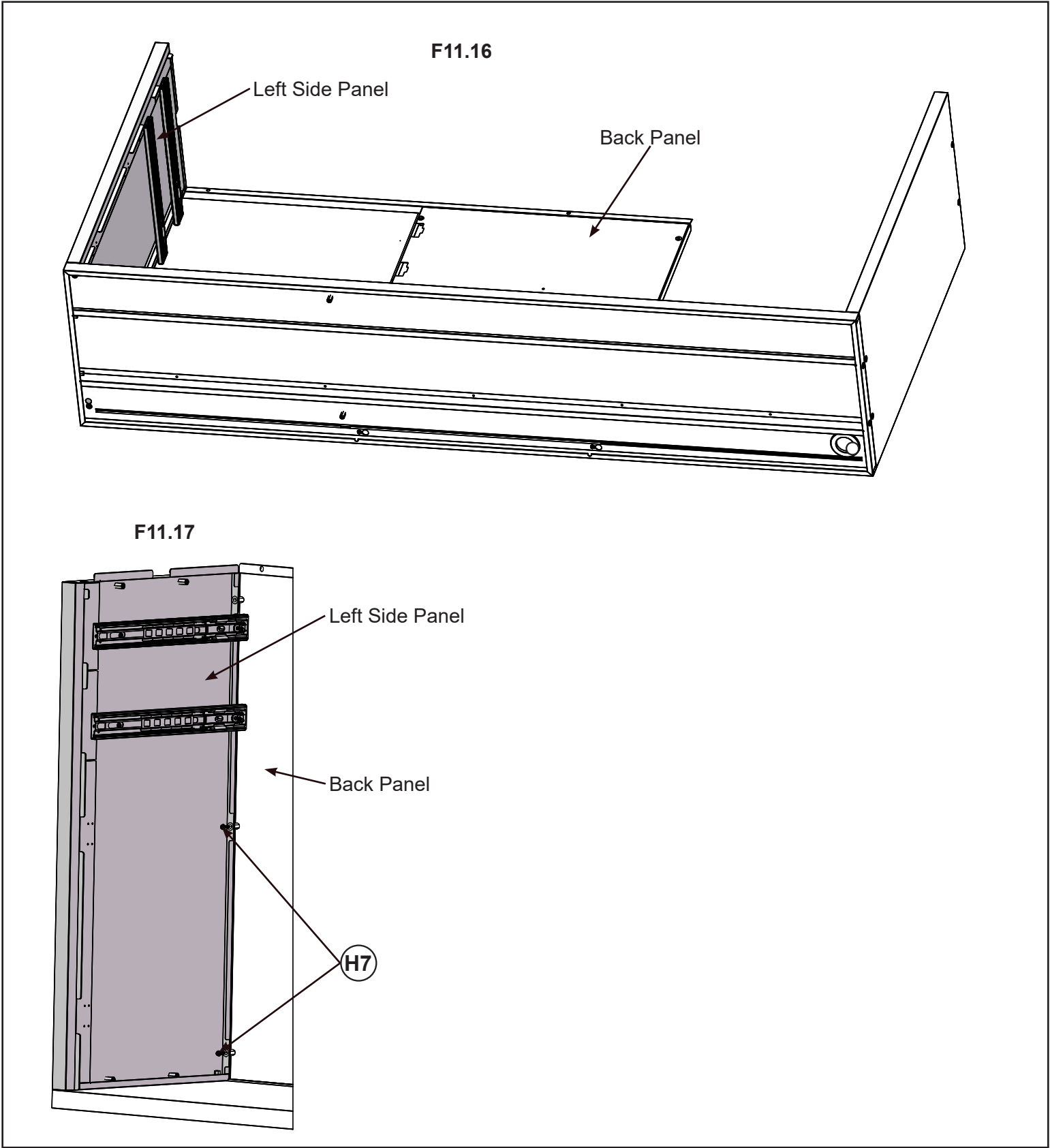
Step 11: Large Cabinet Assembly

Part 6



Step 11: Large Cabinet Assembly

Part 7



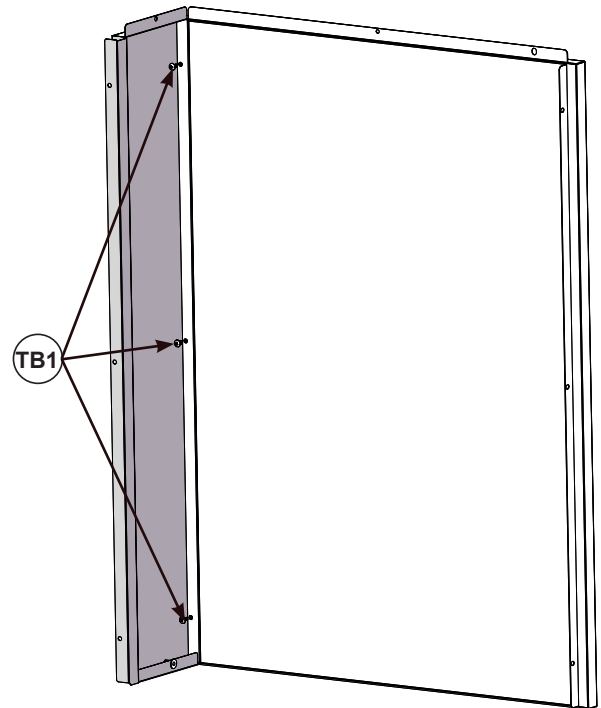
Hardware

2 x **H7** Outer Hexagonal Stainless Steel Bolt M6 14

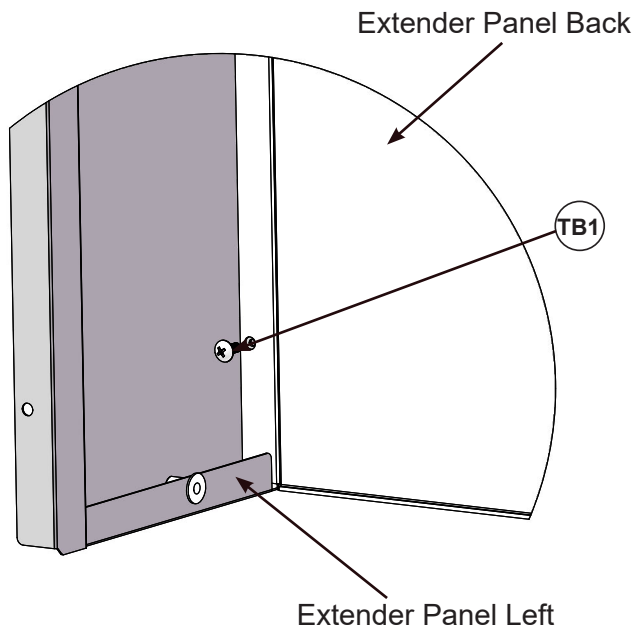
Step 11: Large Cabinet Assembly

Part 8

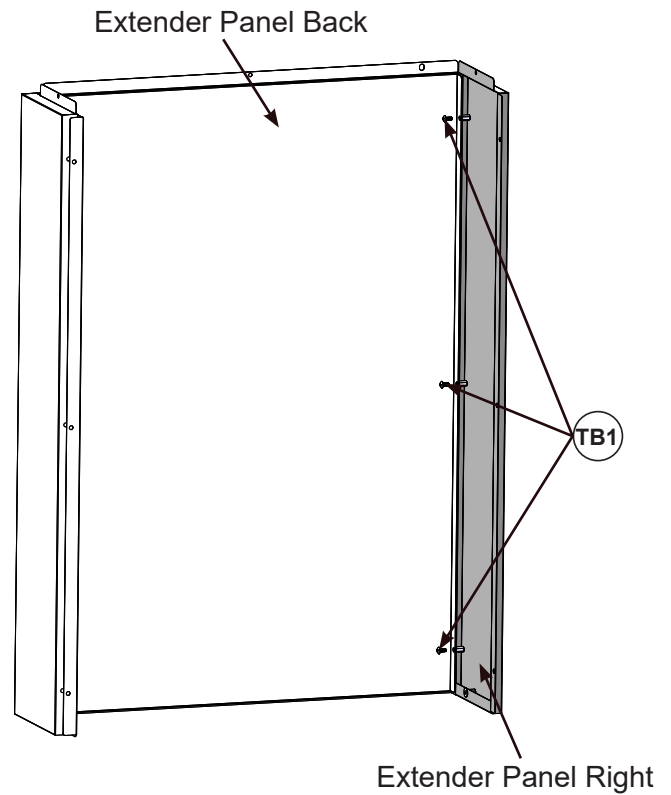
F11.19



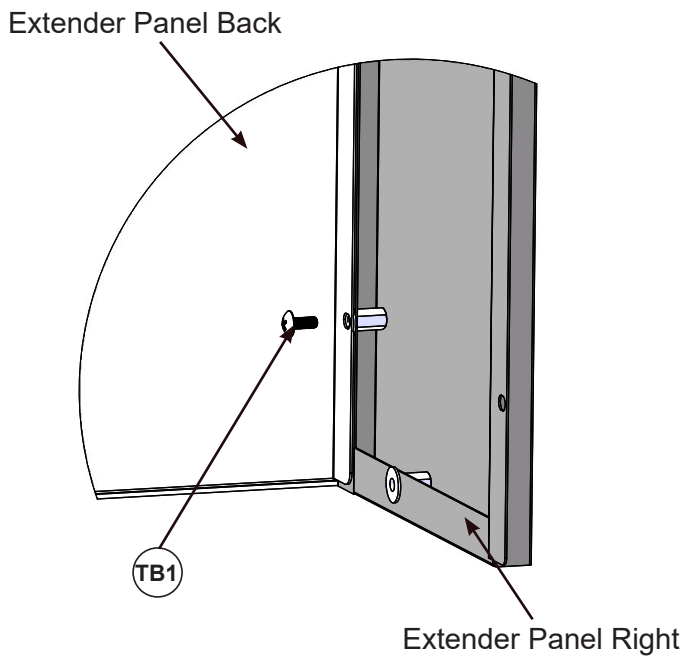
F11.18



F11.21



F11.20



Components

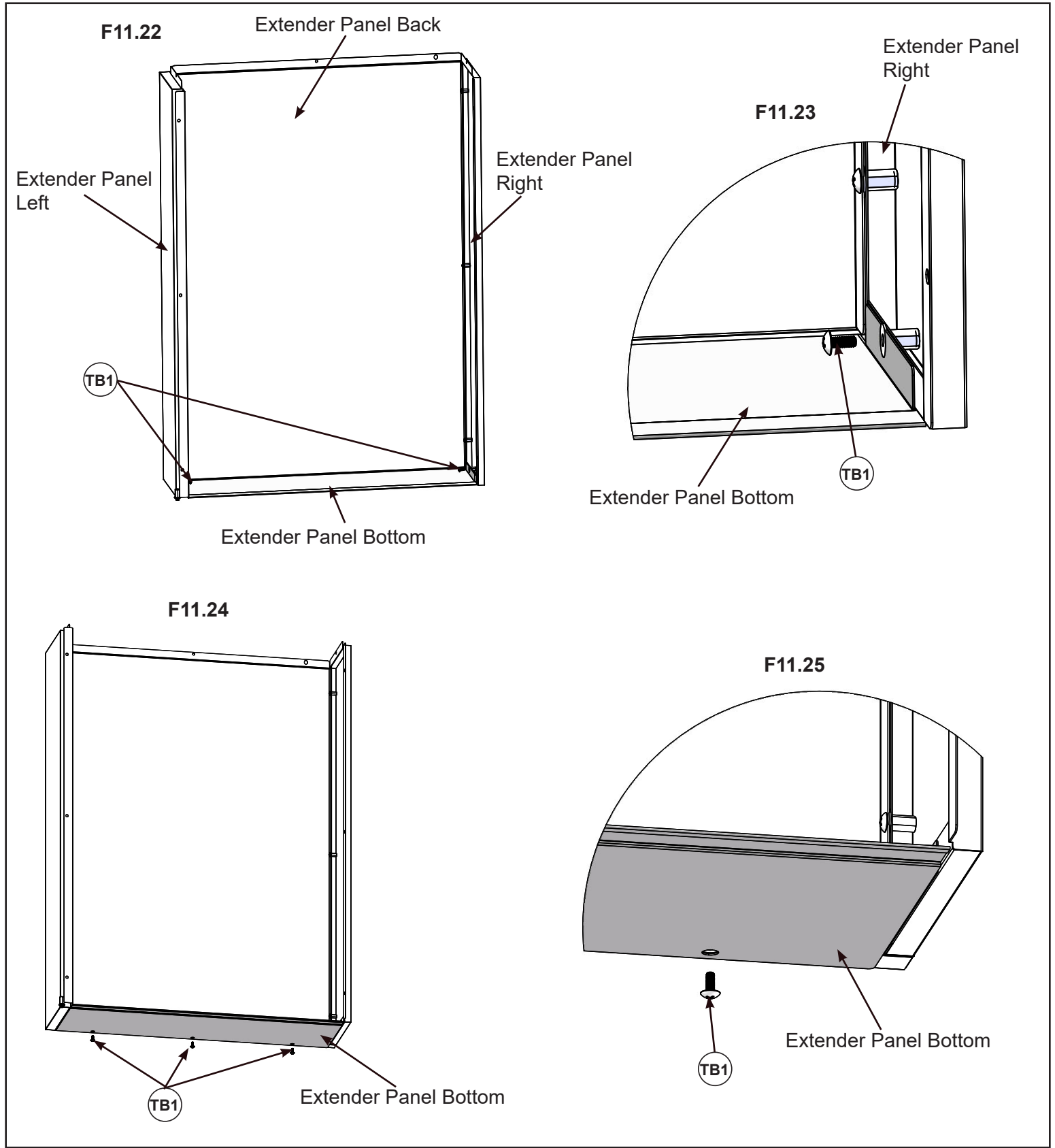
- 1 x Extender Panel Left
- 1 x Extender Panel Back
- 1 x Extender Panel Right

Hardware

- 6 x (TB1) M4 0.7-10 Large Round Head Bolt

Step 11: Large Cabinet Assembly

Part 9



Components

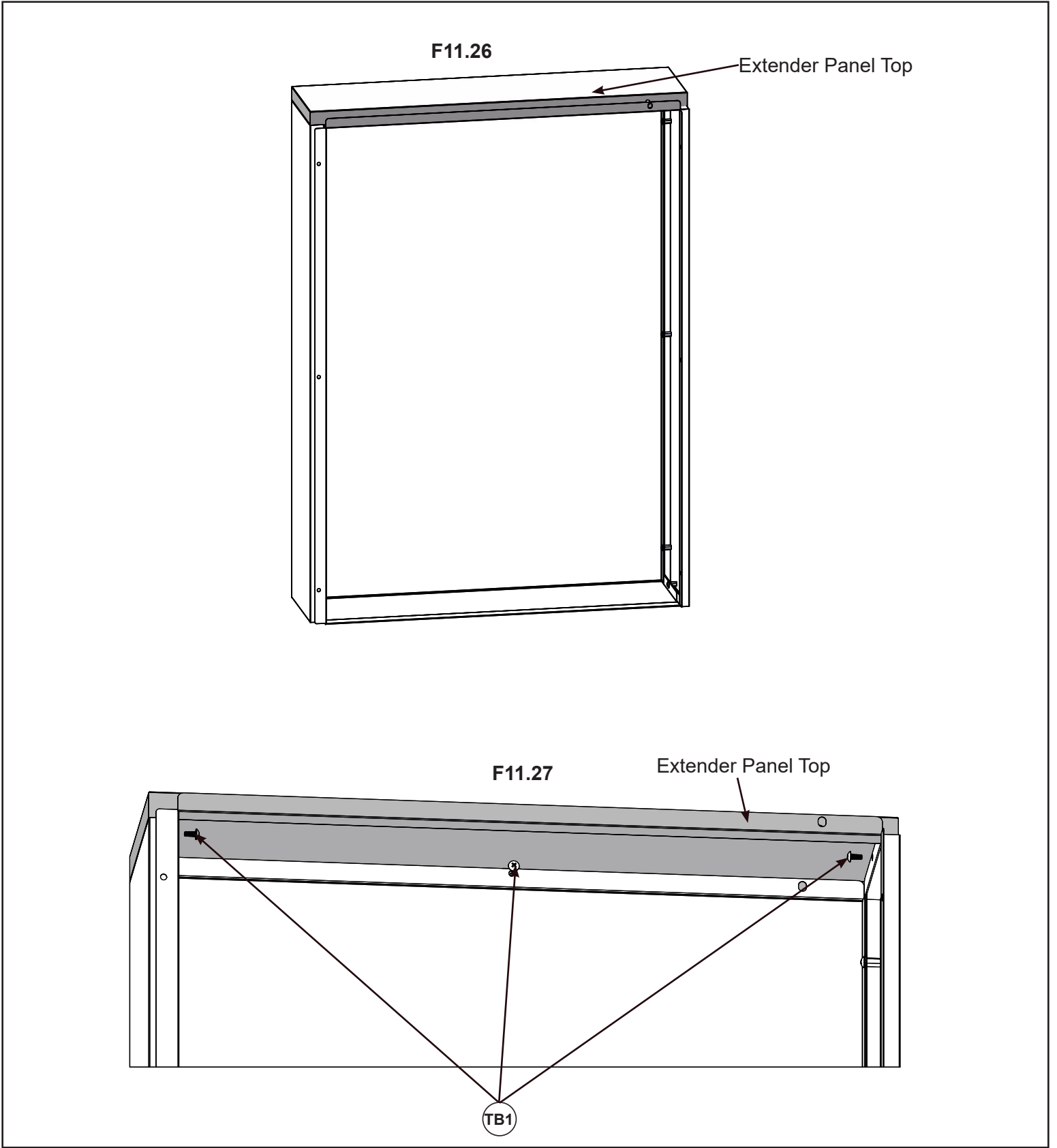
1 x Extender Panel Bottom

Hardware

5 x TB1 M4 0.7-10 Large Round Head Bolt

Step 11: Large Cabinet Assembly

Part 10



Components

1 x Extender Panel Top

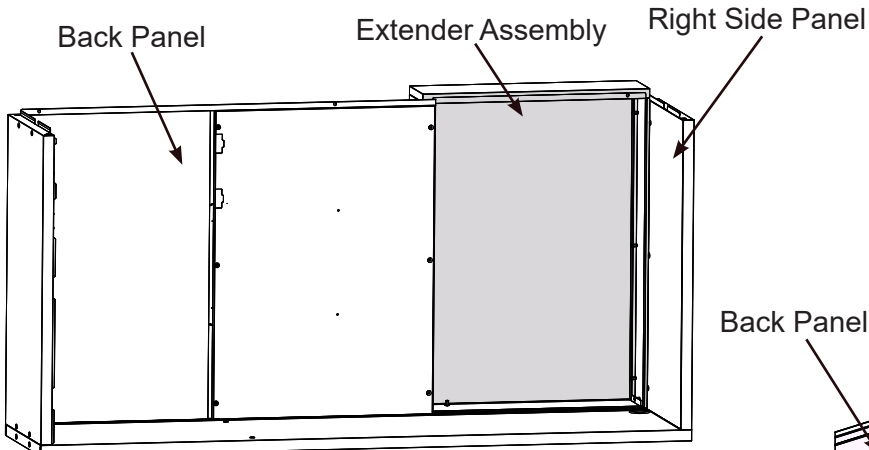
Hardware

3 x (TB1) M4 0.7-10 Large Round Head Bolt

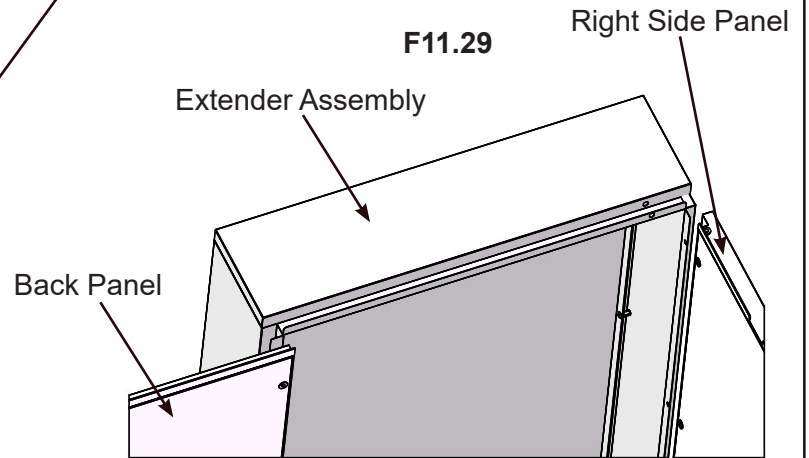
Step 11: Large Cabinet Assembly

Part 11

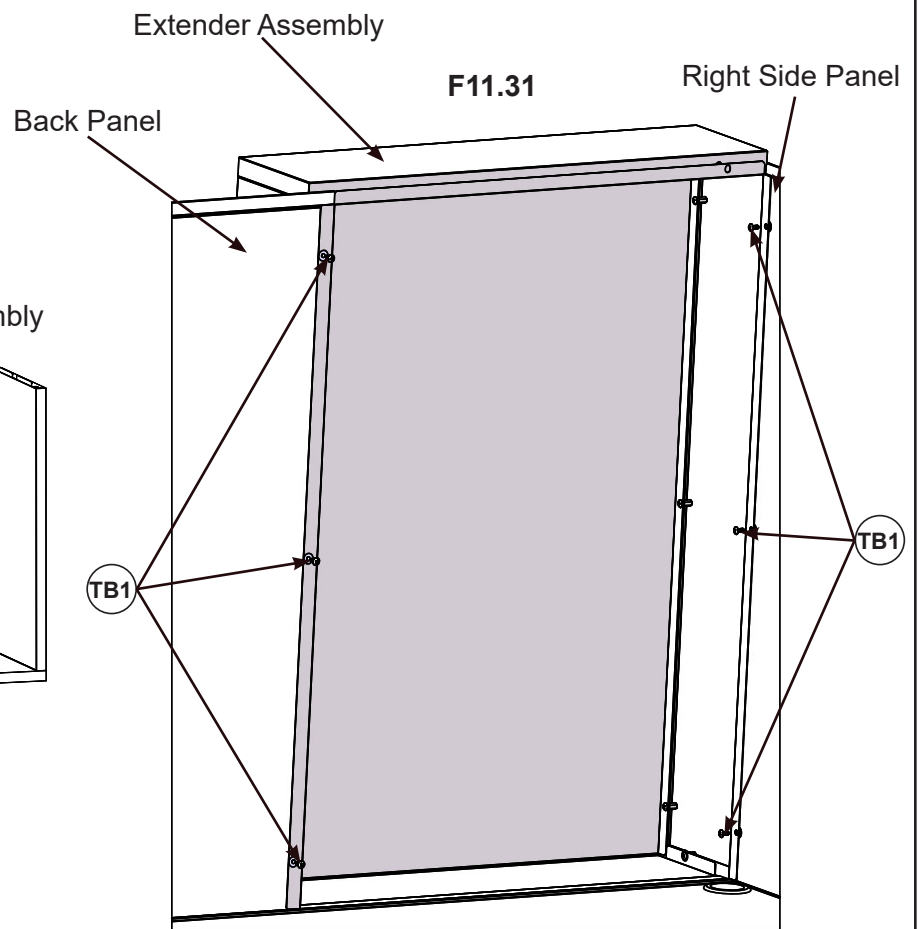
F11.28



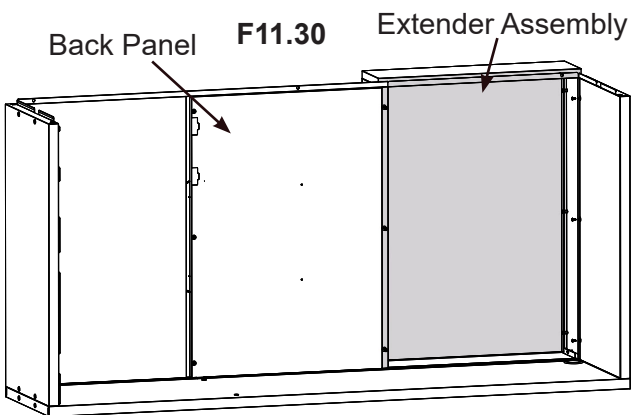
F11.29



F11.31



F11.30

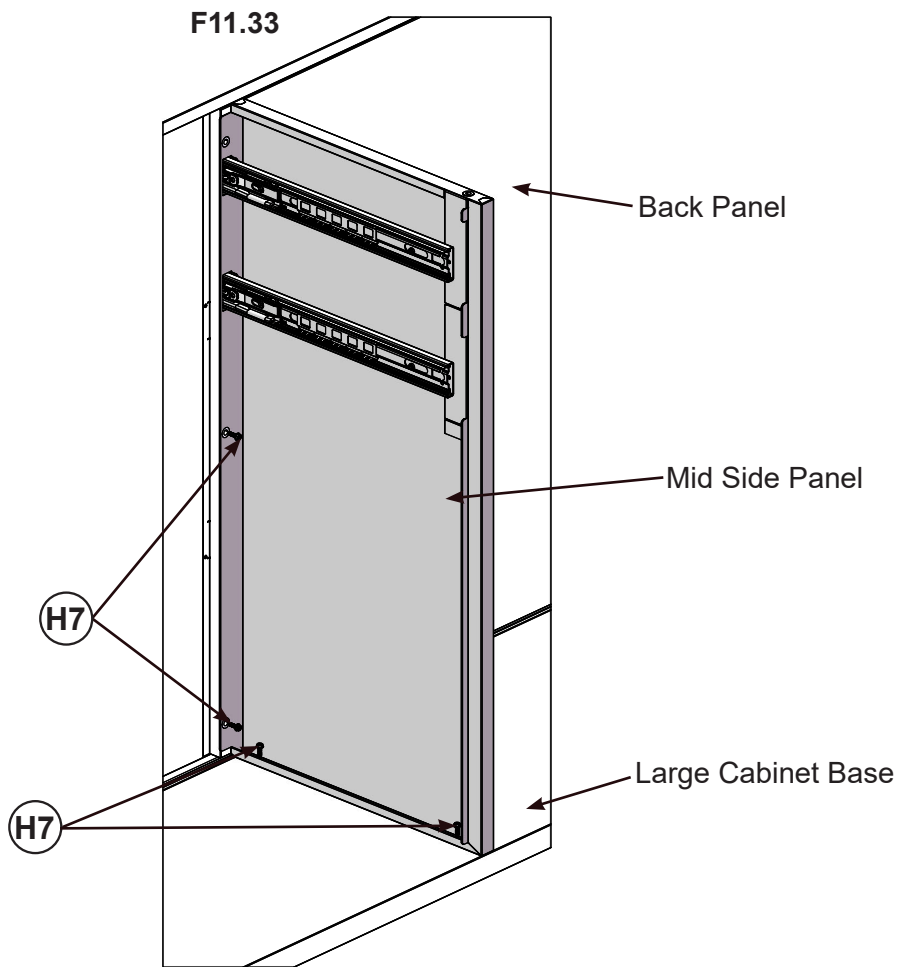
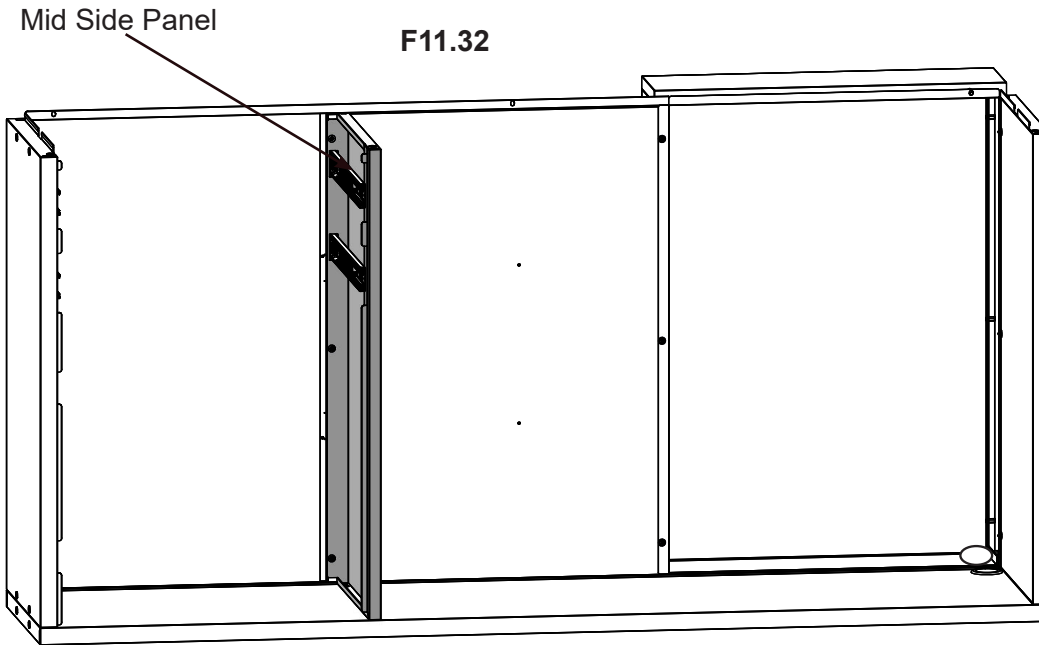


Hardware

6 x (TB1) M4 0.7-10 Large Round Head Bolt

Step 11: Large Cabinet Assembly

Part 12



Components

1 x Mid Side Panel

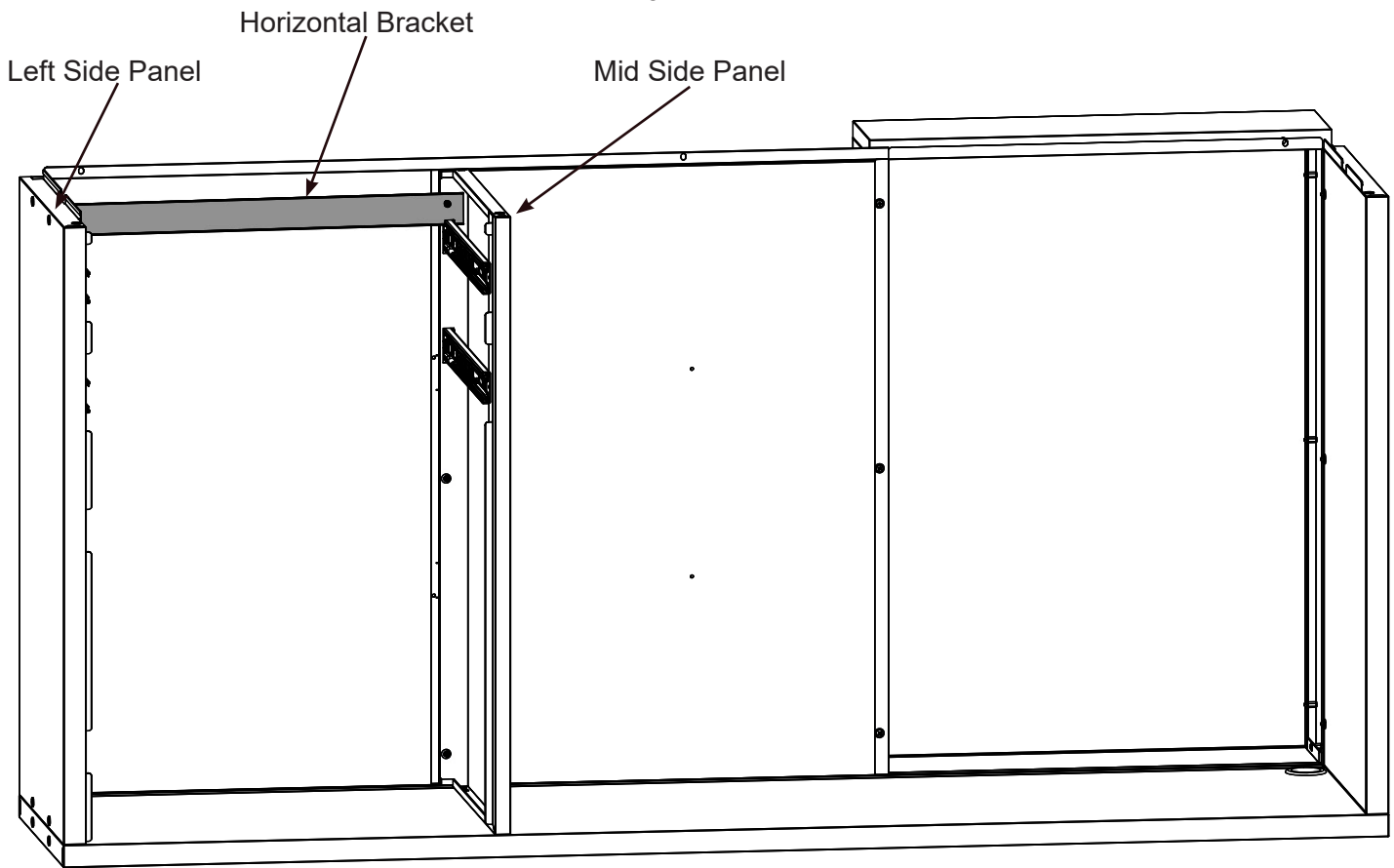
Hardware

4 x **H7** Outer Hexagonal Stainless Steel Bolt M6 14

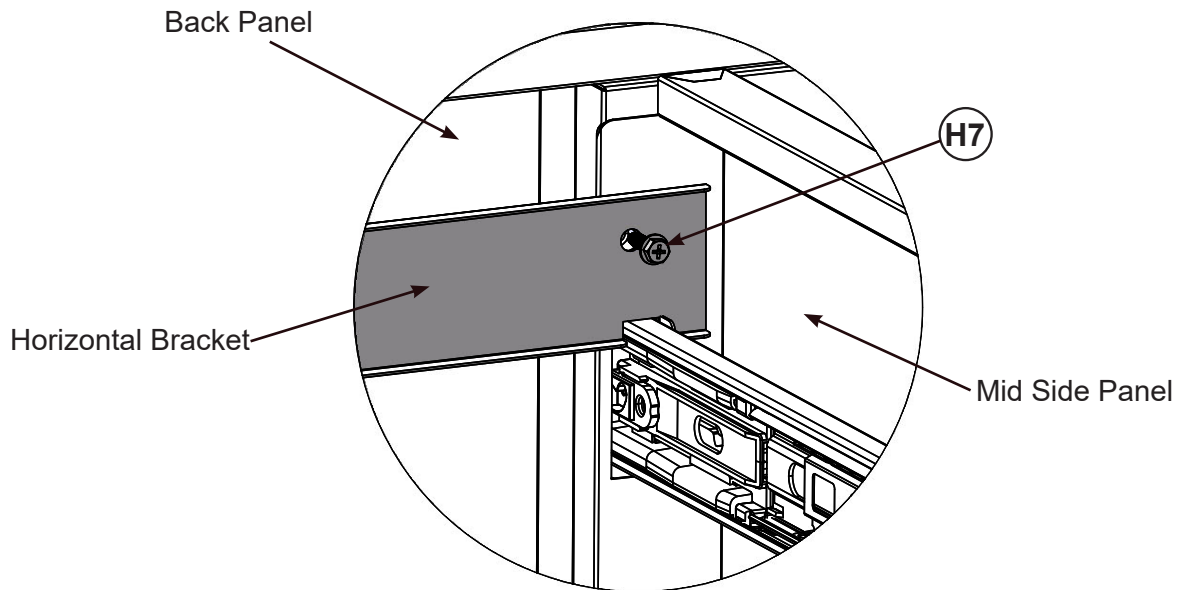
Step 11: Large Cabinet Assembly

Part 13

F11.34



F11.35



Components

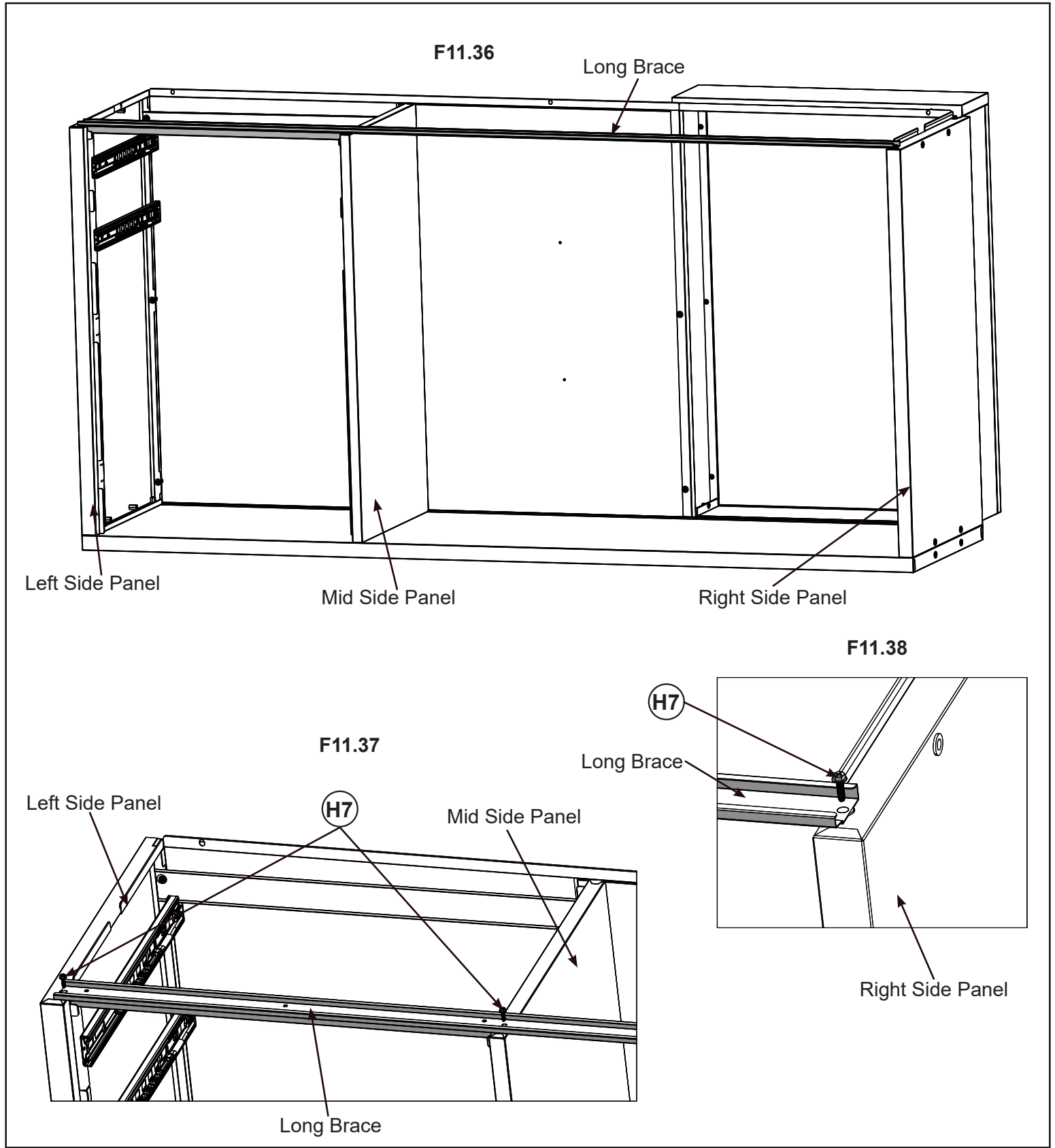
1 x Horizontal Bracket

Hardware

2 x **(H7)** Outer Hexagonal Stainless Steel Bolt M6 14

Step 11: Large Cabinet Assembly

Part 14



Components

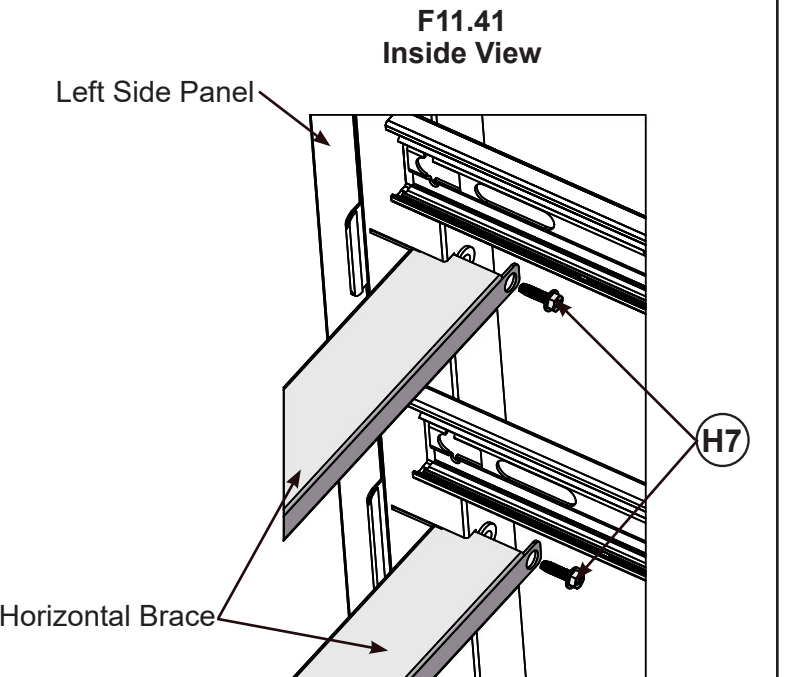
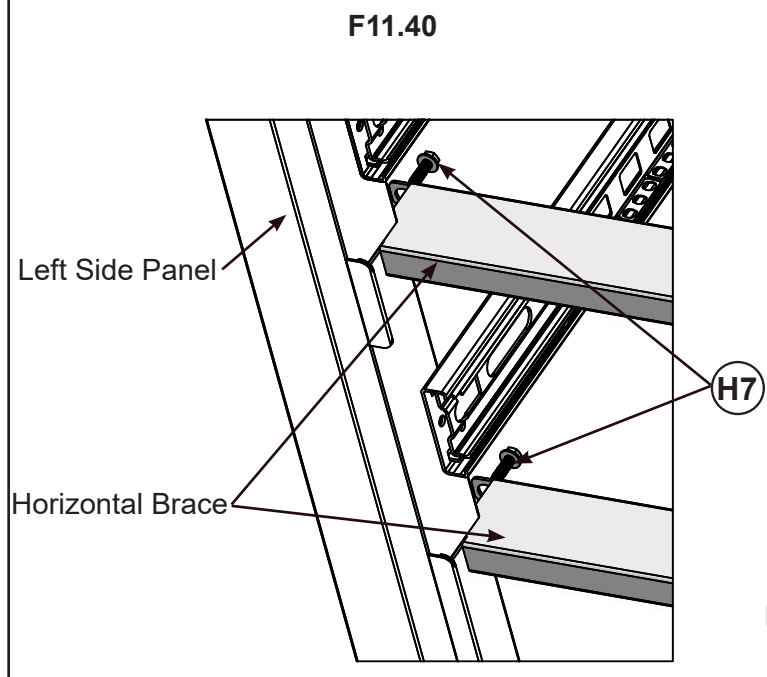
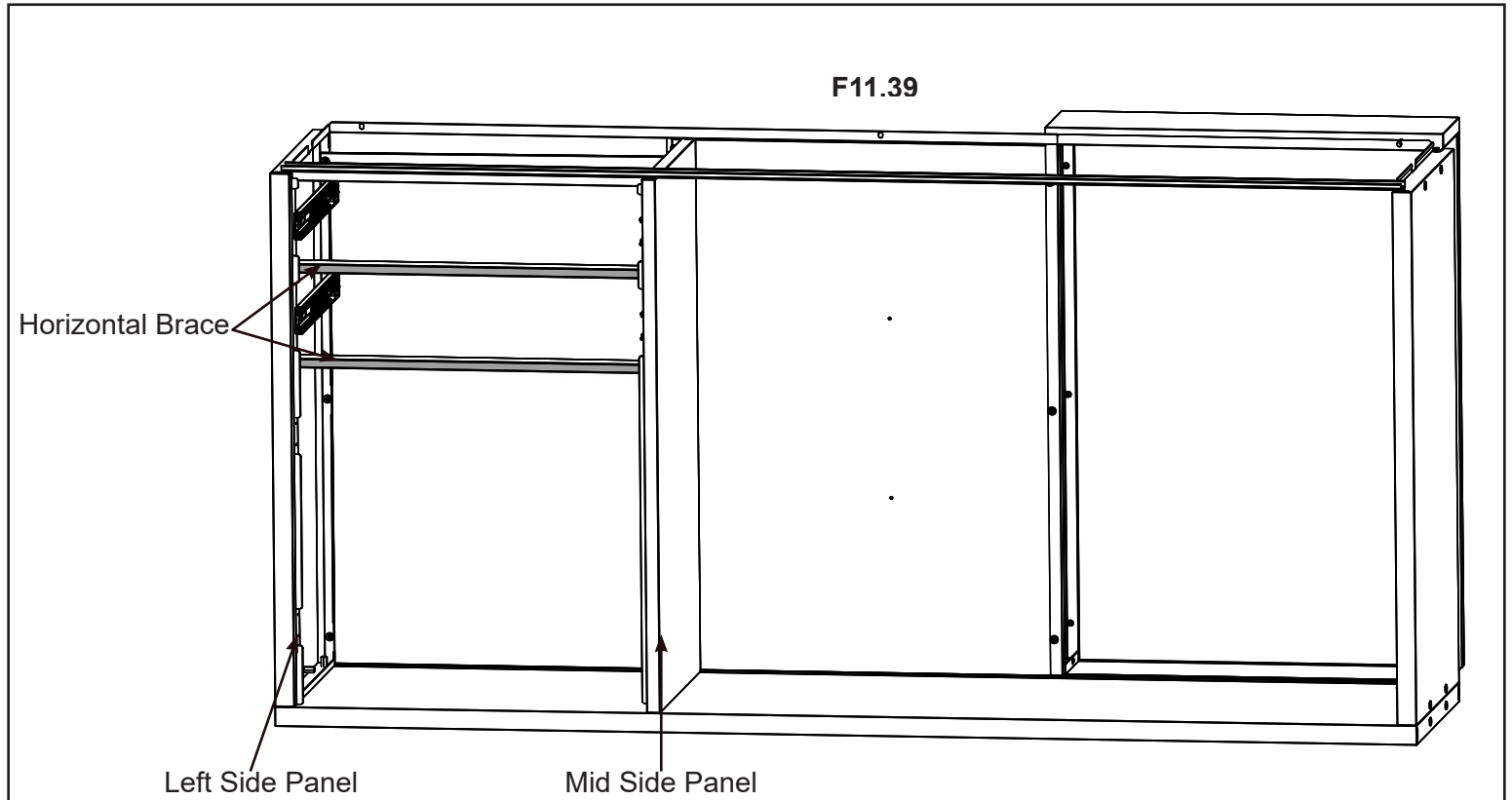
1 x Long Brace

Hardware

3 x H7 Outer Hexagonal Stainless Steel Bolt M6 14

Step 11: Large Cabinet Assembly

Part 15



Components

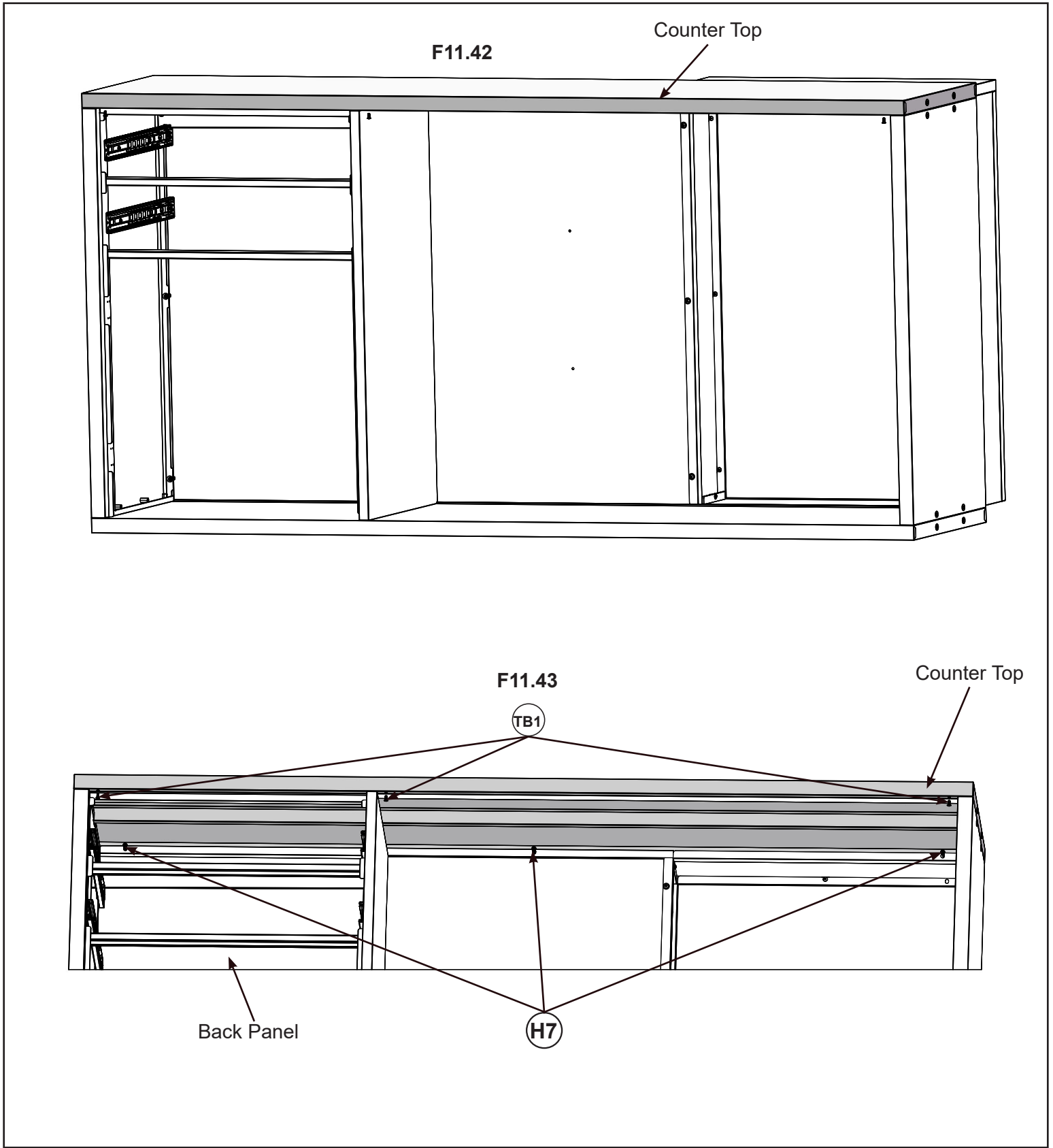
2 x Horizontal Brace

Hardware

4 x (H7) Outer Hexagonal Stainless Steel Bolt M6 14

Step 11: Large Cabinet Assembly

Part 16



Components

1 x Counter Top

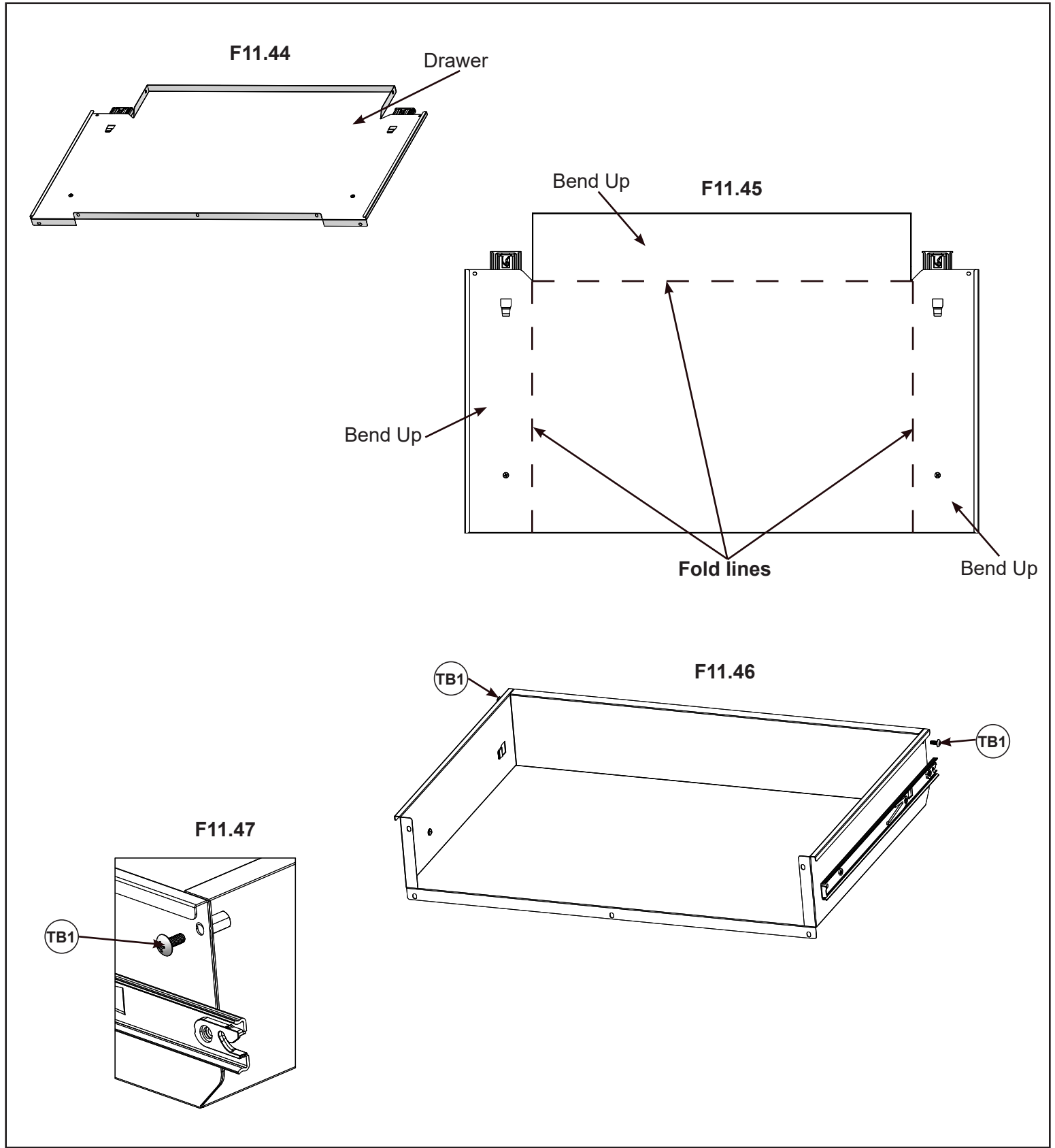
Hardware

3 x (H7) Outer Hexagonal Stainless Steel Bolt M6 14

3 x (TB1) M4 0.7-10 Cross Recessed Large Round Head Bolt

Step 11: Large Cabinet Assembly

Part 17



Components

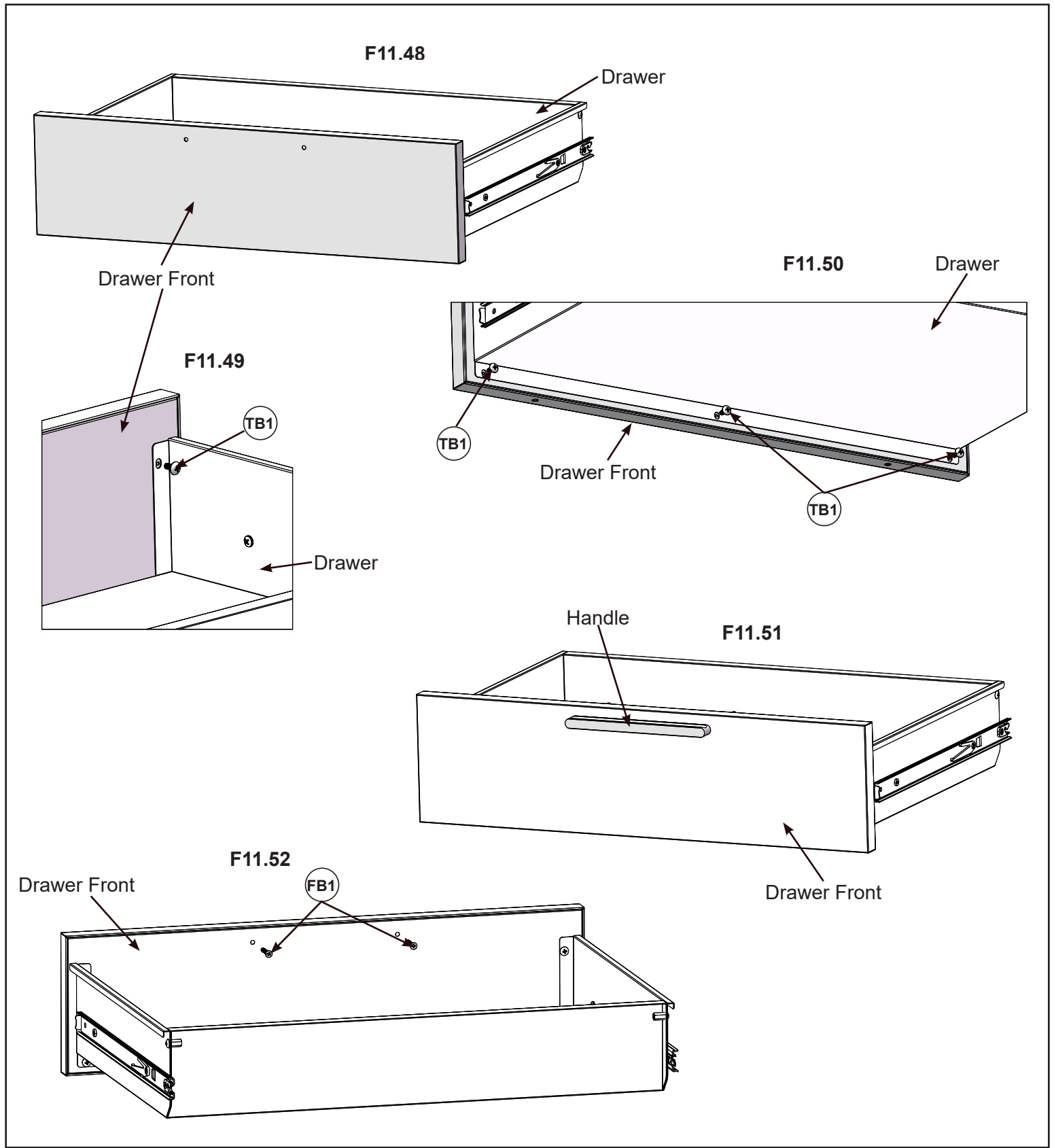
2 x Drawer

Hardware

4 x (TB1) M4 0.7-10 Cross Recessed Large Round Head Bolt

Step 11: Large Cabinet Assembly

Part 18



Components

2 x Drawer Front
2 x Handle

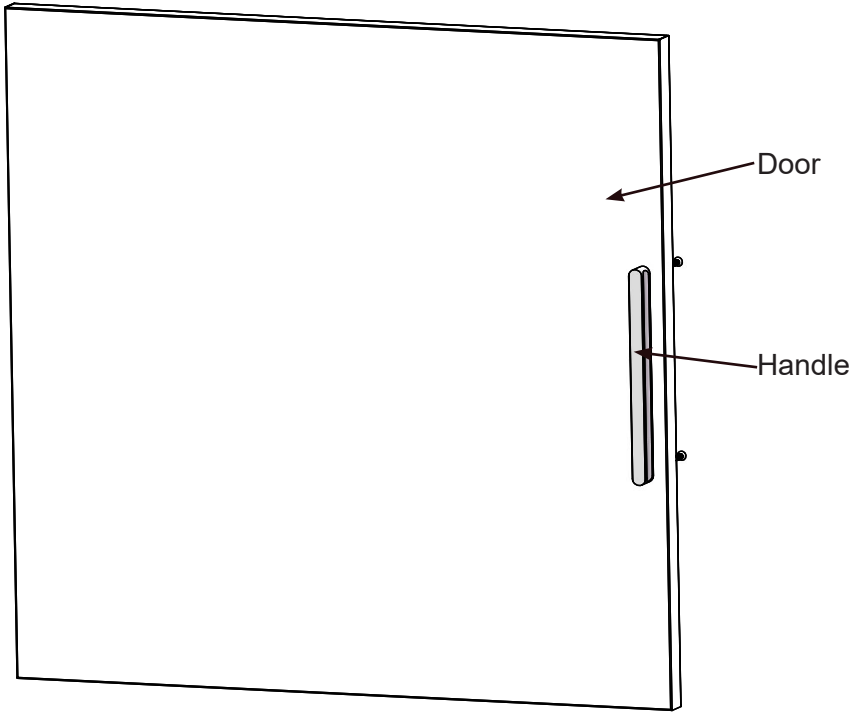
Hardware

10 x TB1 M4 0.7-10 Cross Recessed Large Round Head Bolt
4 x FB1 M4 0.7-25 Cross Recessed Countersunk Head Bolt

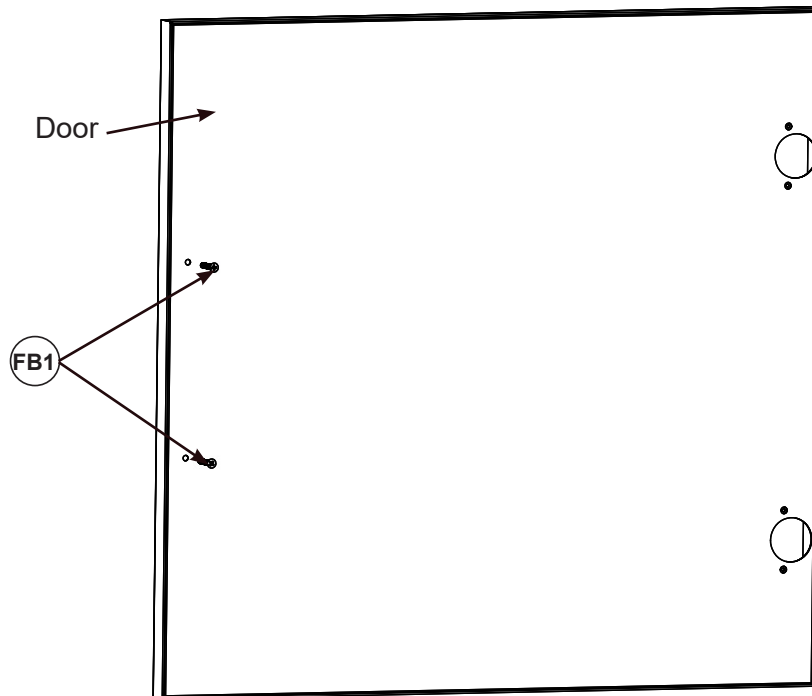
Step 11: Large Cabinet Assembly

Part 19

F11.53



F11.54



Components

- 1 x Door
- 1 x Handle

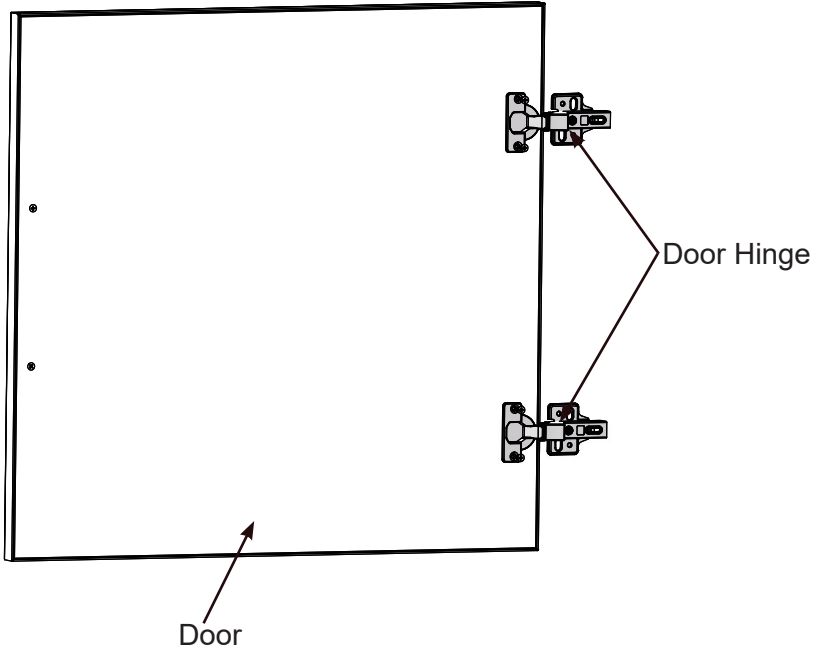
Hardware

- 2 x **FB1** M4 0.7-25 Cross Recessed Countersunk Head Bolt

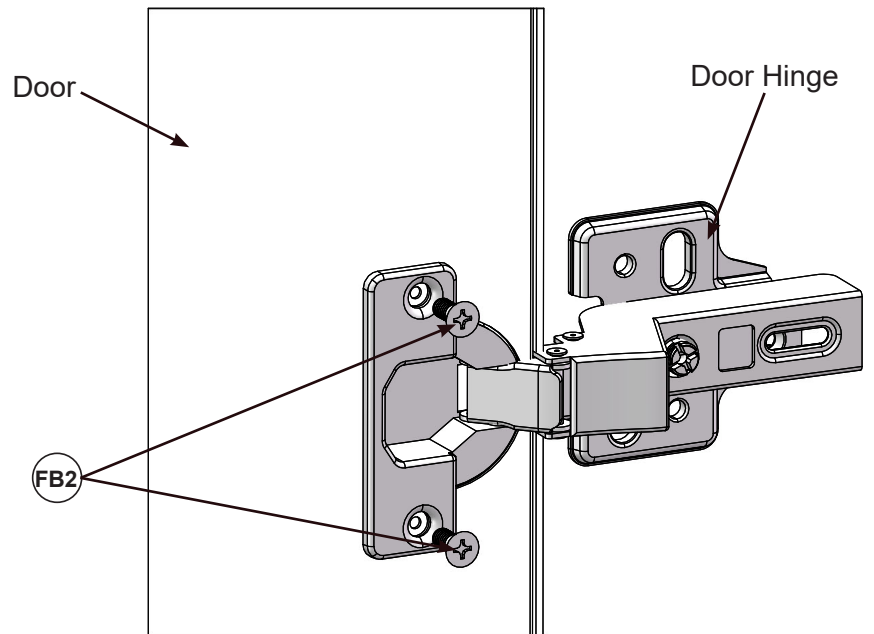
Step 11: Large Cabinet Assembly

Part 20

F11.55



F11.56



Components

2 x Door Hinge

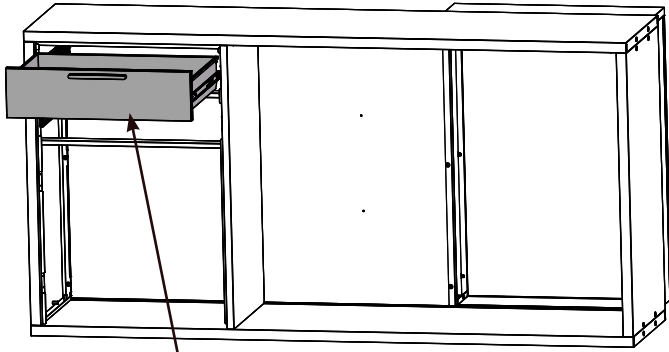
Hardware

4 x **FB2** M4 0.7-10 Cross Recessed Countersunk Head Bolt

Step 11: Large Cabinet Assembly

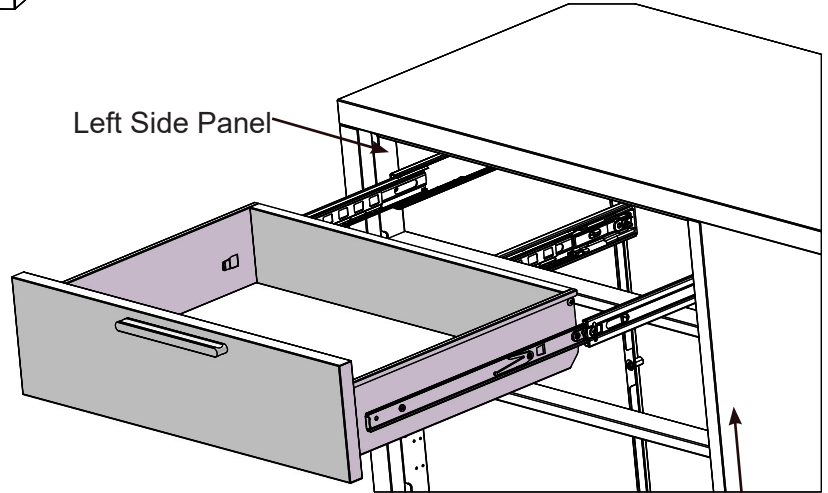
Part 18

F11.57



Drawer Assembly

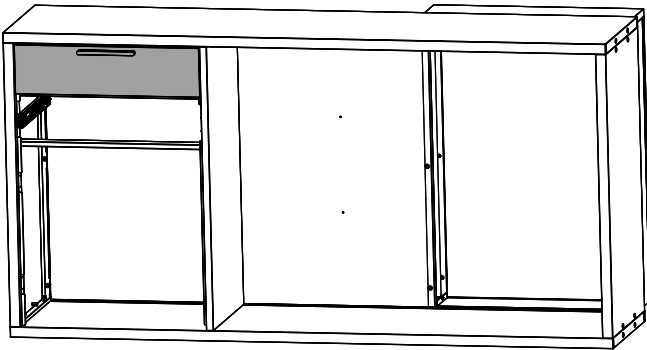
F11.58



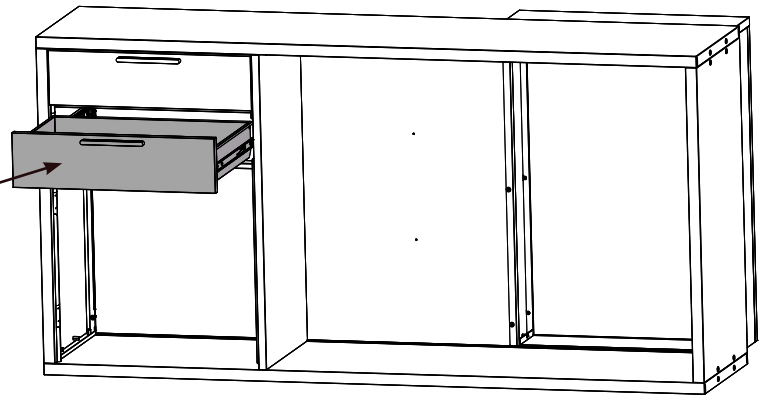
Left Side Panel

Mid Side Panel

F11.59



F11.60

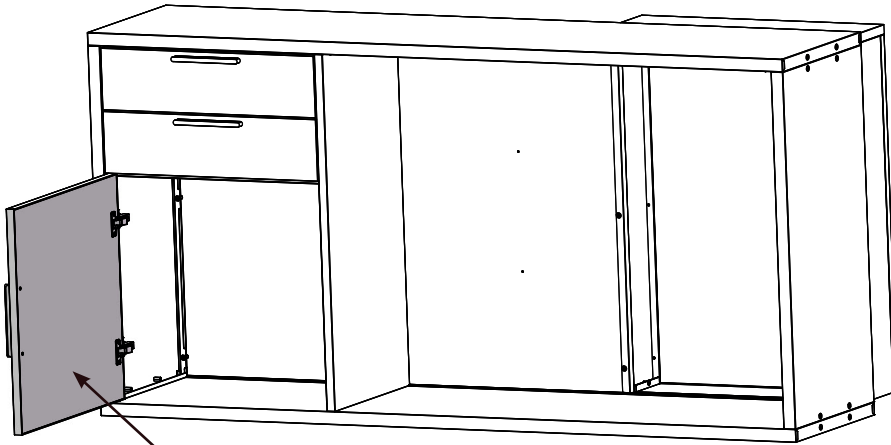


Drawer Assembly

Step 11: Large Cabinet Assembly

Part 22

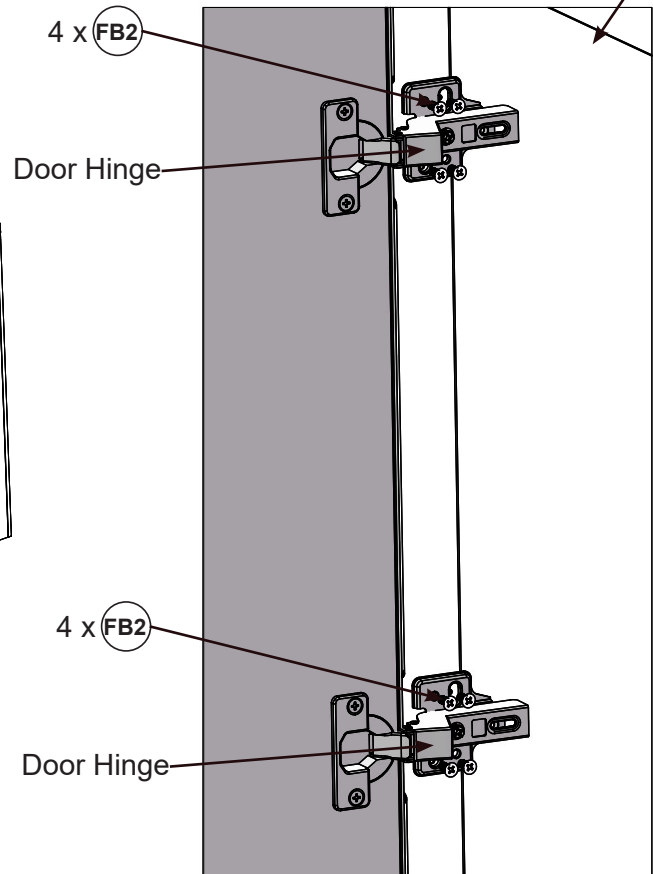
F11.61



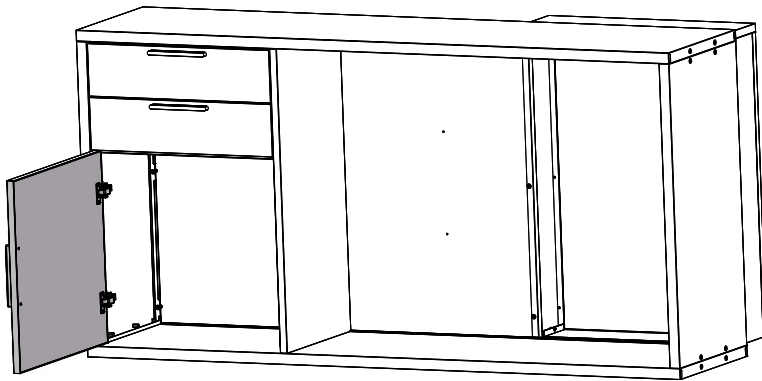
Door Assembly

F11.62

Left Side Panel



F11.63



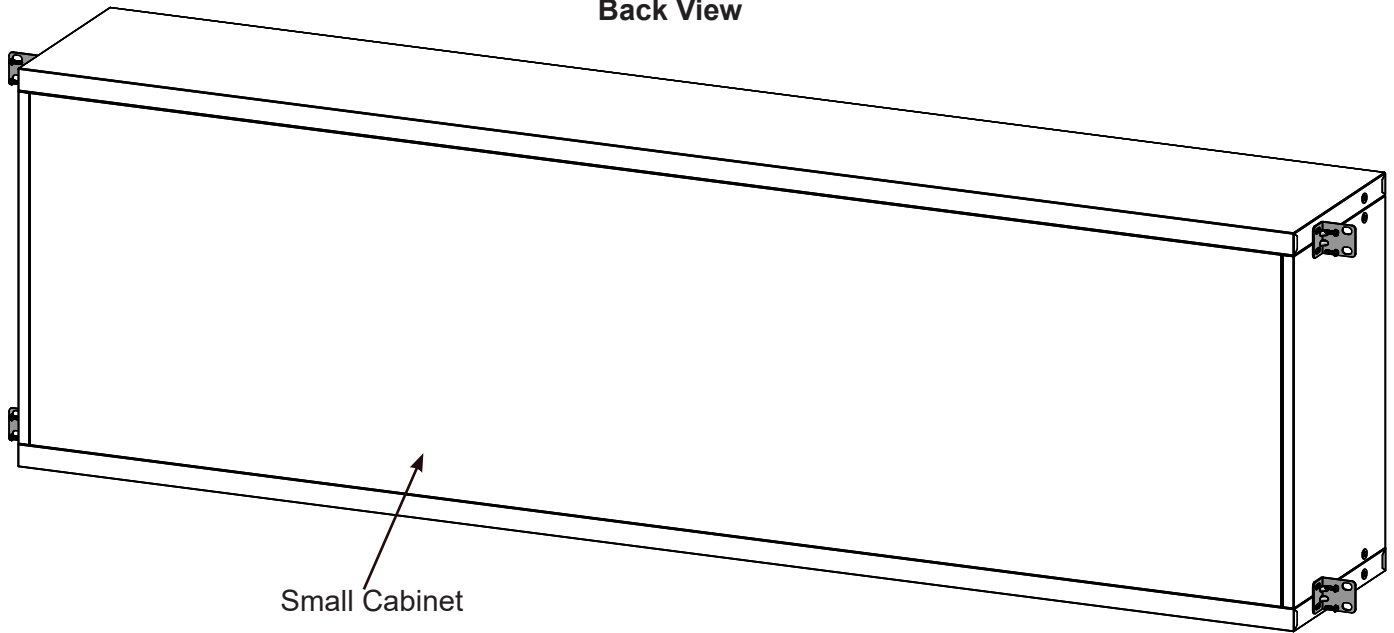
Hardware

8 x **FB2** M4 0.7-10 Cross Recessed Countersunk Head Bolt

Step 12: Attach Small Cabinet

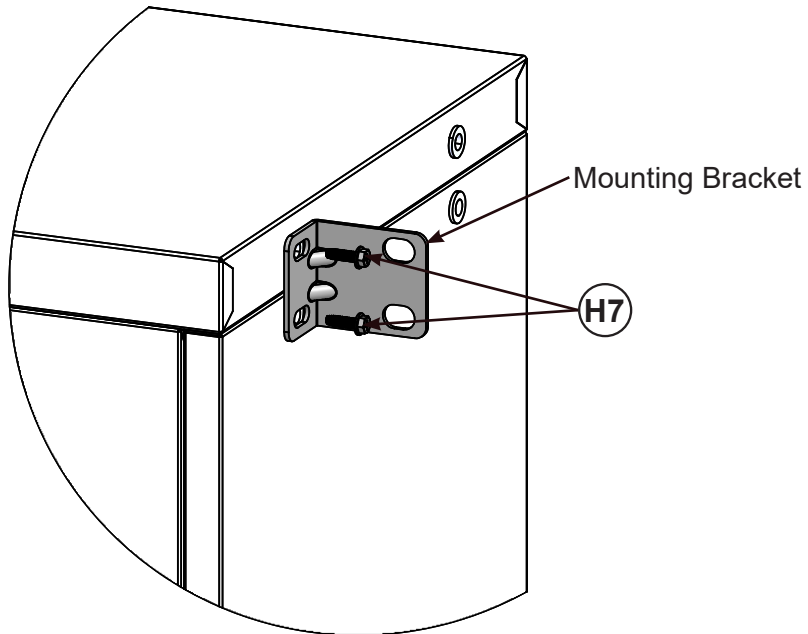
Part 1

F12.1
Back View



Small Cabinet

F12.2



Mounting Bracket

(H7)

Components

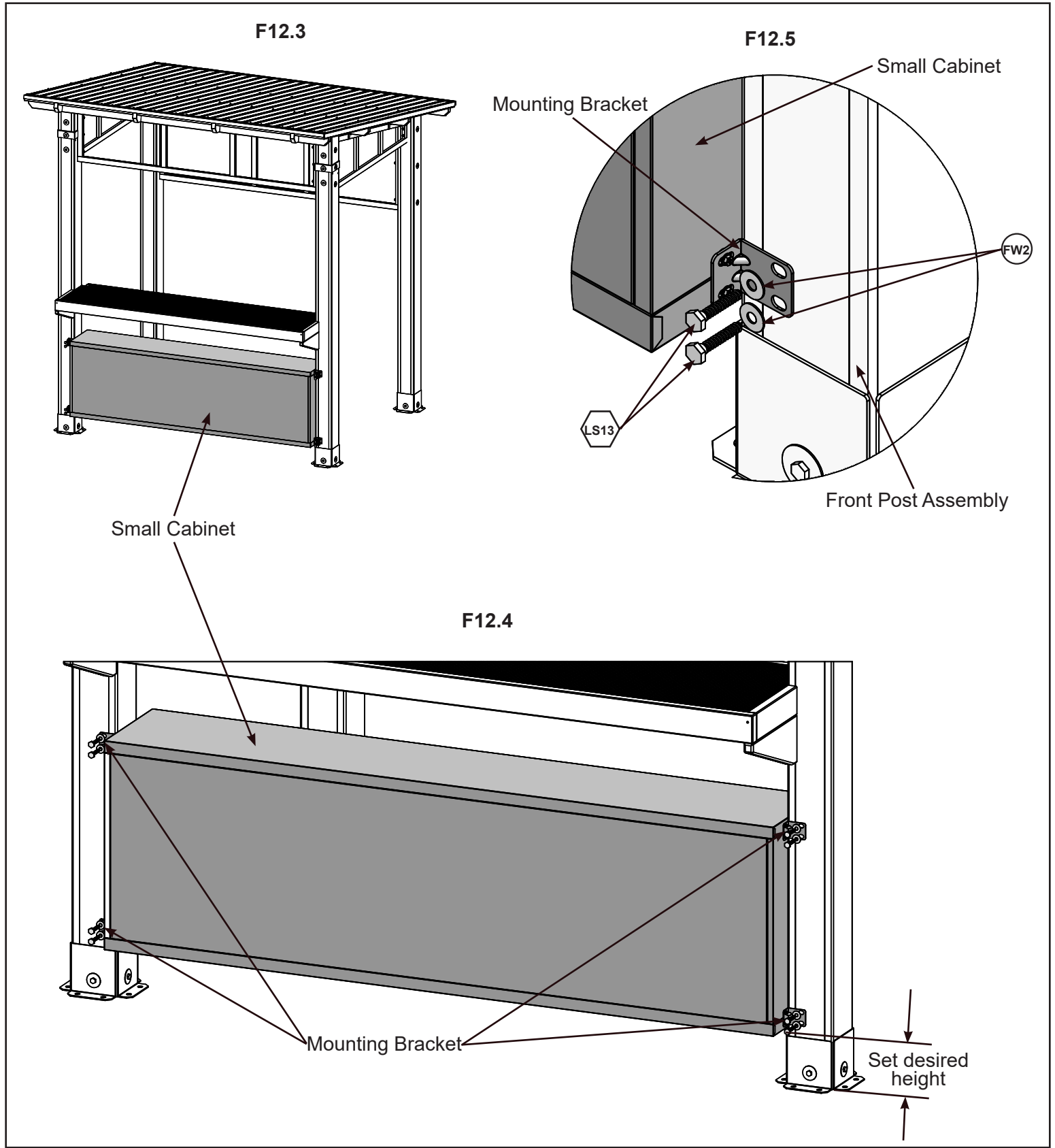
4 x Mounting Bracket

Hardware


8 x (H7) Outer Hexagonal Stainless Steel Bolt M6 14

Step 12: Attach Small Cabinet

Part 2



Hardware

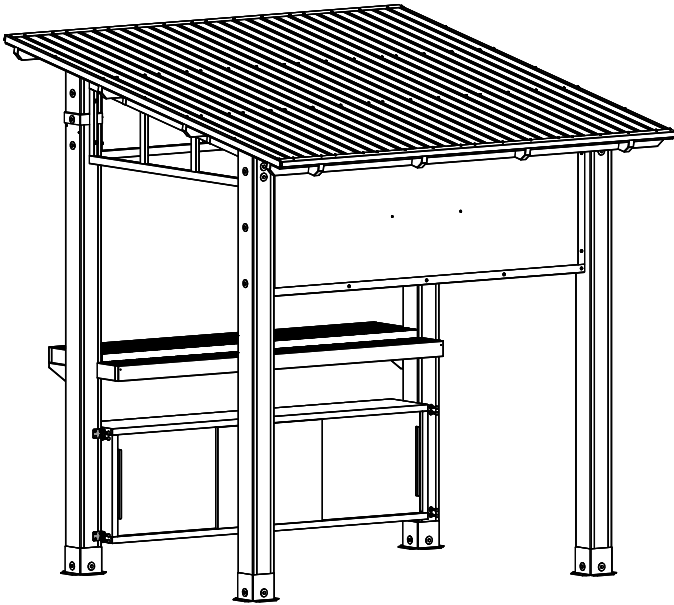
8 x  5/16 x 2" Hex Lag

8 x  5/16" Flat Washer

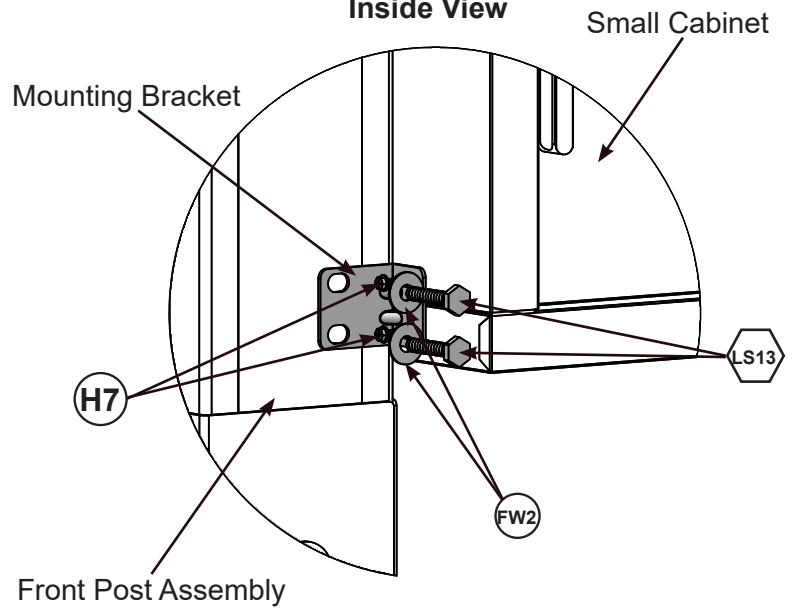
Step 12: Attach Small Cabinet

Part 3

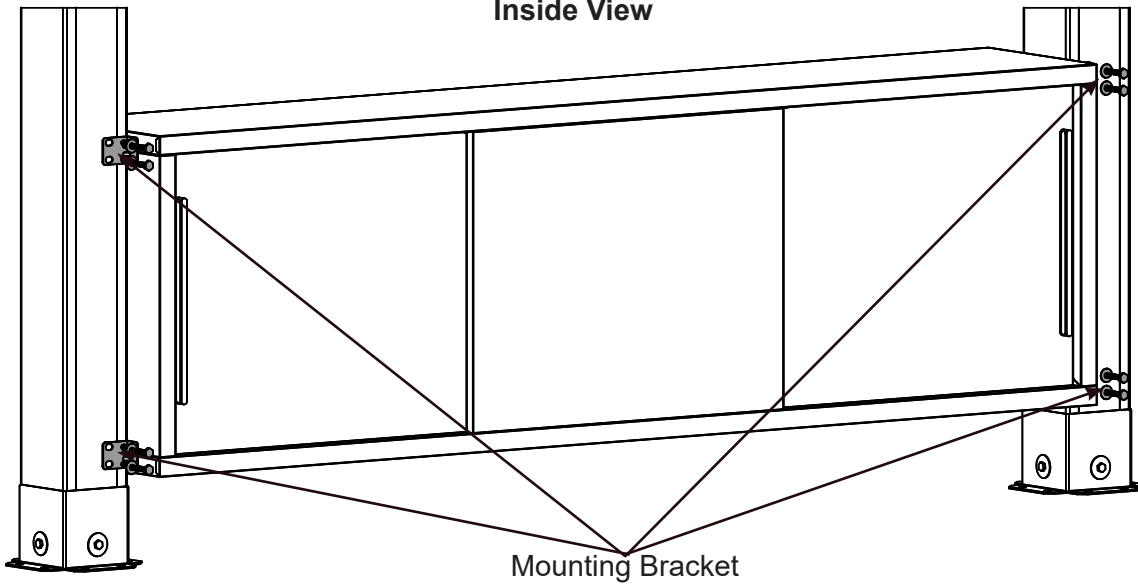
F12.6



F12.8
Inside View



F12.7
Inside View



Components

4 x Mounting Bracket

Hardware

8 x (FW2) 5/16" Flat Washer

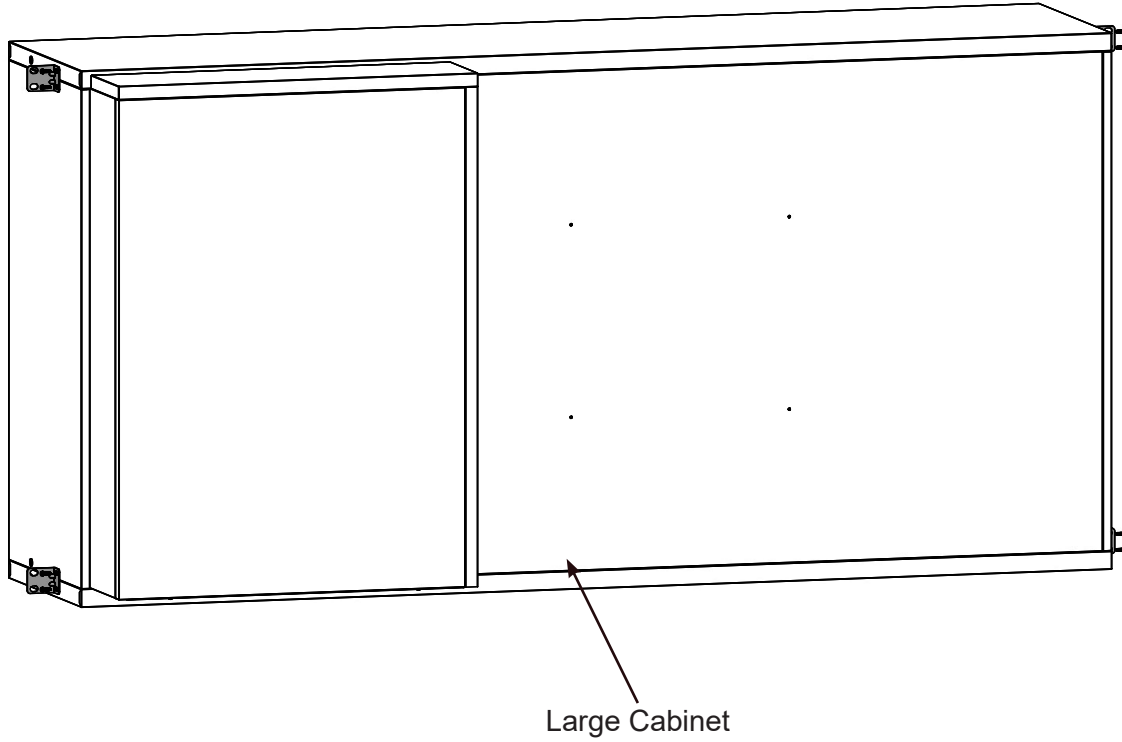
8 x (LS13) 5/16 x 2" Hex Lag

8 x (H7) Outer Hexagonal Stainless Steel Bolt M6 14

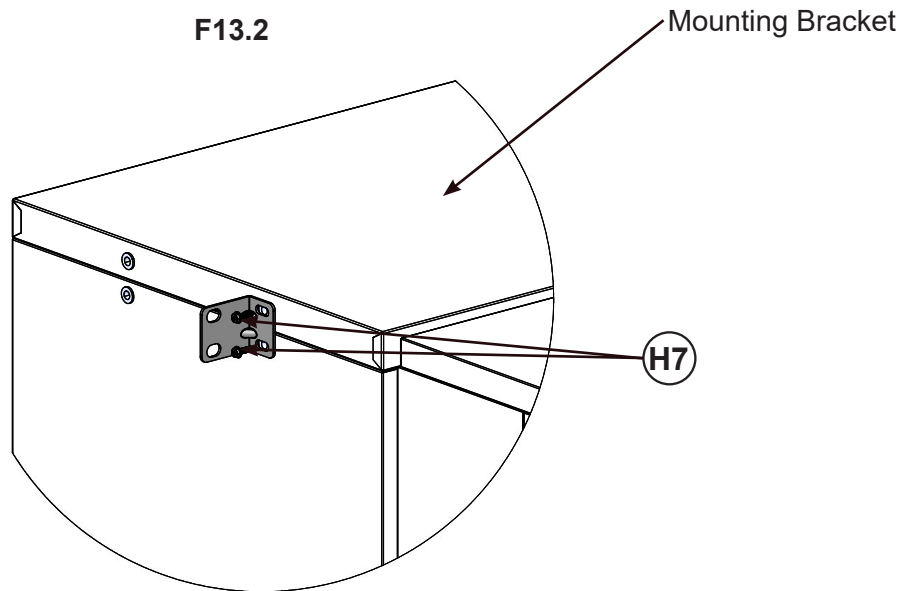
Step 13: Attach Large Cabinet

Part 1

F13.1
Back View



F13.2



Components

4 x Mounting Bracket

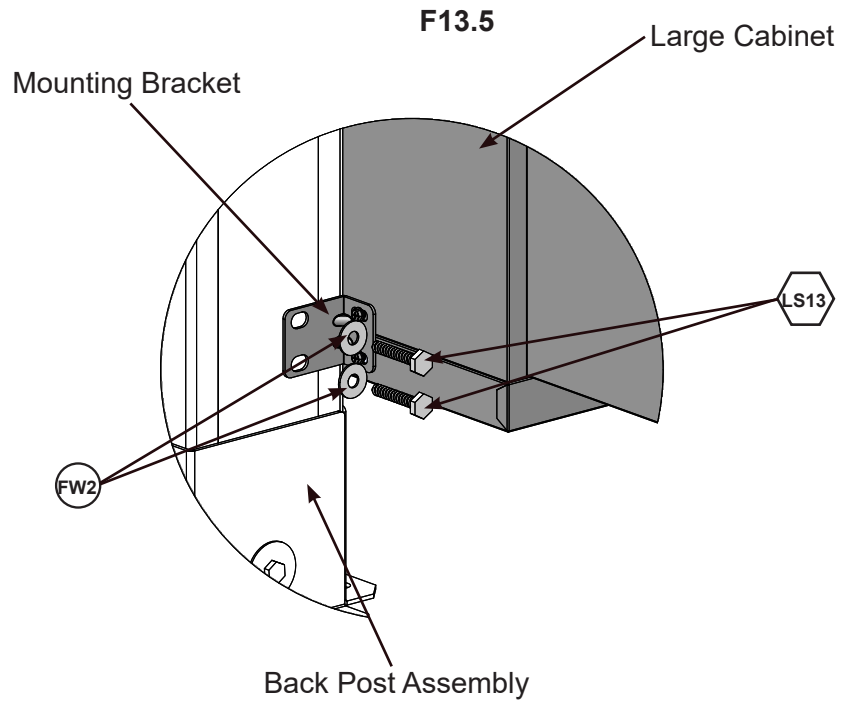
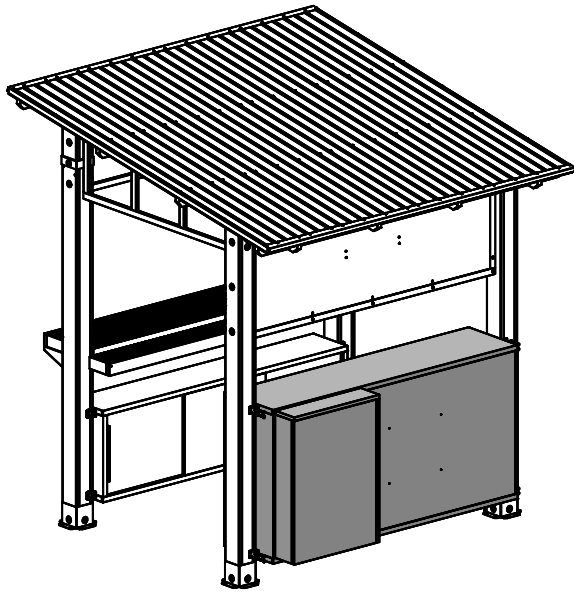
Hardware

8 x **(H7)** Outer Hexagonal Stainless Steel Bolt M6 14

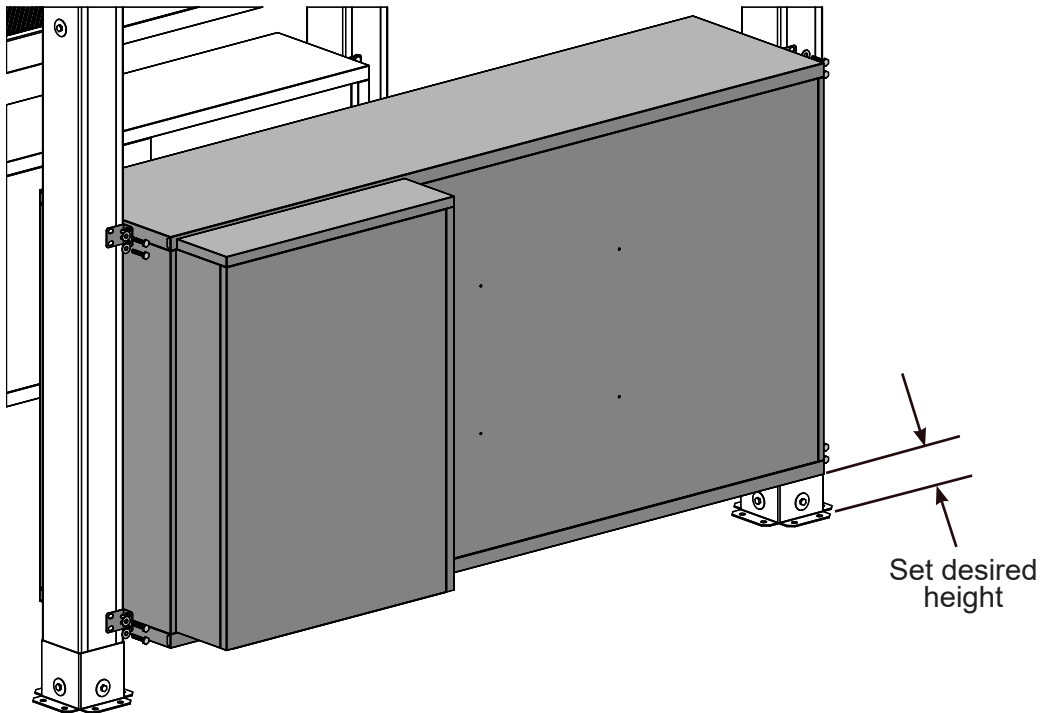
Step 13: Attach Large Cabinet

Part 2

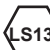
F13.3



F13.4



Hardware

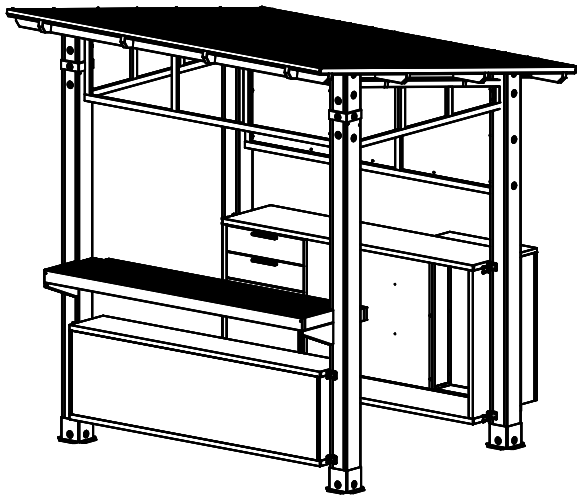
8 x  5/16 x 2" Hex Lag

8 x  5/16" Flat Washer

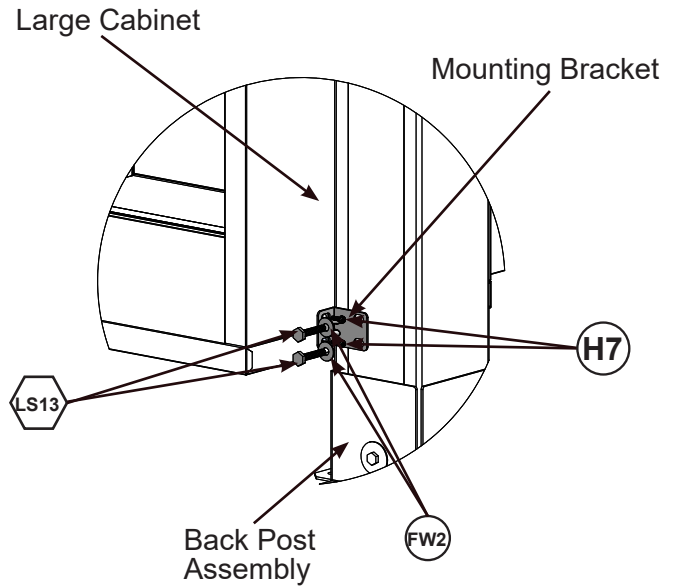
Step 13: Attach Large Cabinet

Part 3

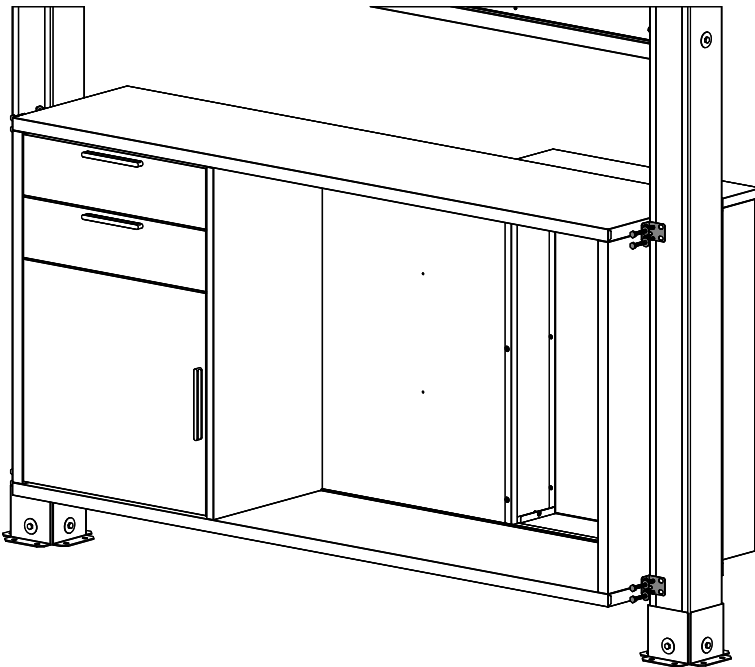
F13.6



F13.7
Inside View



F13.8
Inside View



Components

4 x Mounting Bracket

Hardware

8 x (FW2) 5/16" Flat Washer

8 x (LS13) 5/16 x 2" Hex Lag

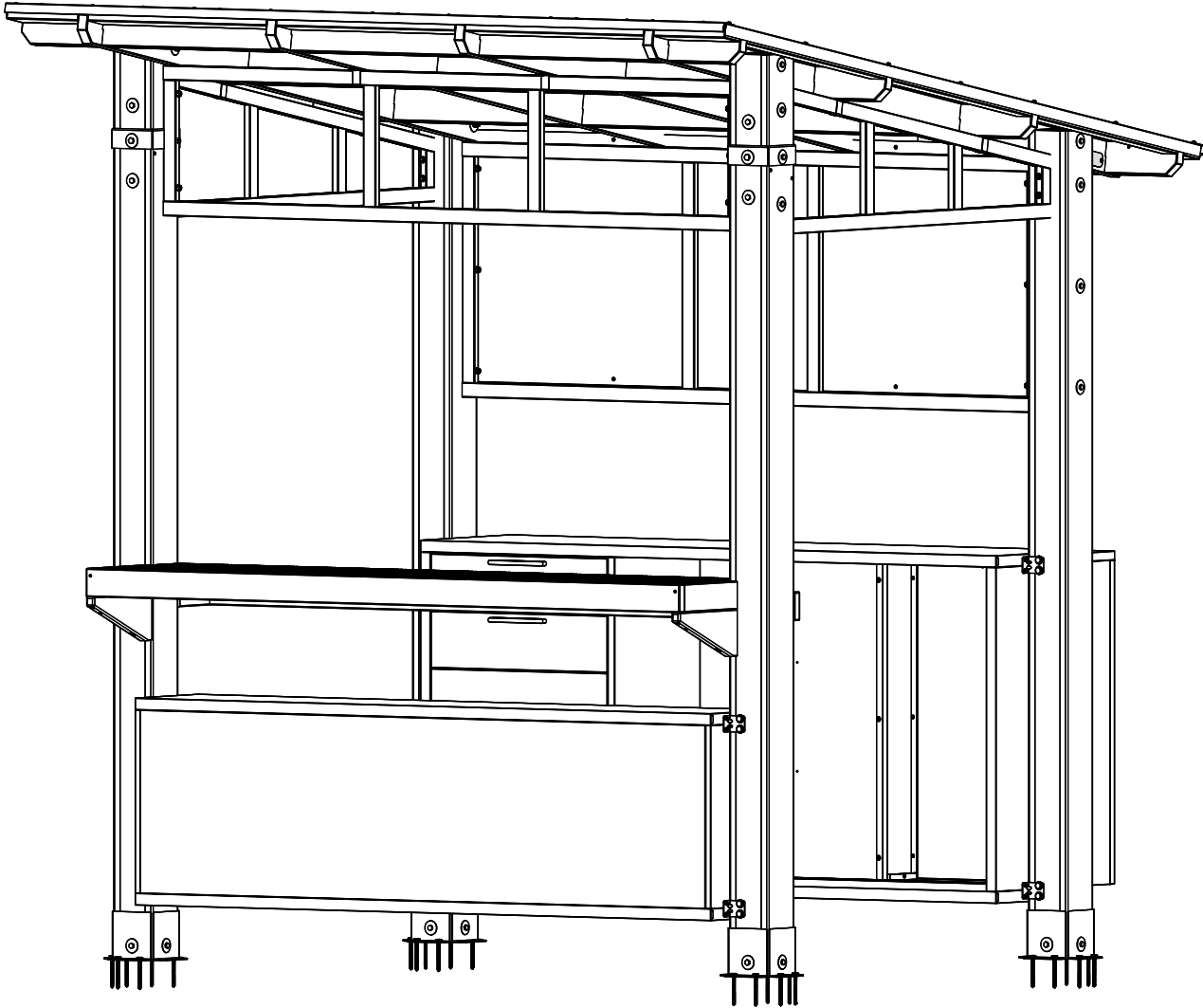
8 x (H7) Outer Hexagonal Stainless Steel Bolt M6 14

Step 14: Anchor Assembly

Depending on what you are placing the Cantina on will determine how you anchor it to that surface. Please refer to pages 7 and 8 for installation examples.

Any hardware or extra materials for mounting will have to be purchased in advance.

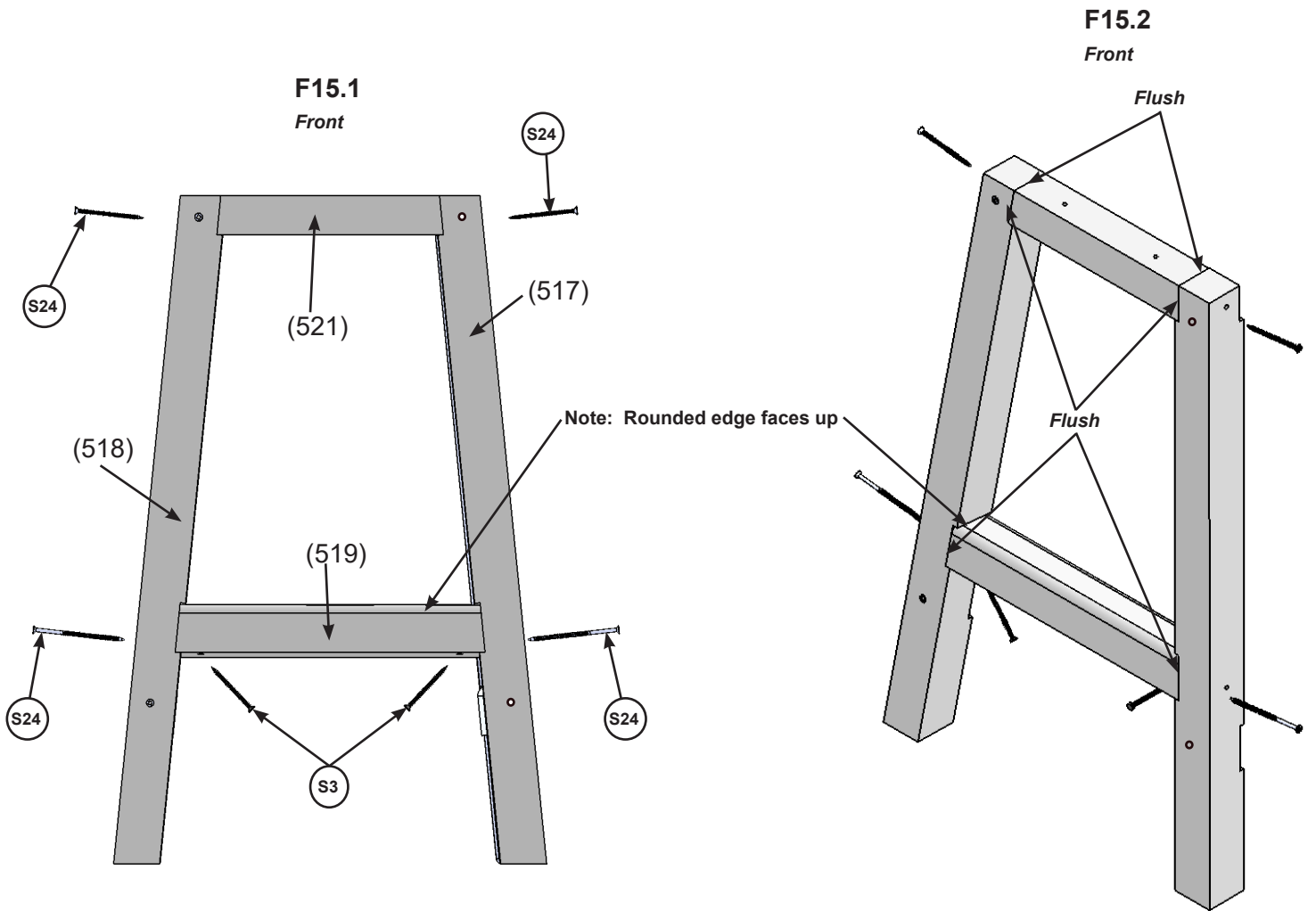
F14.1



Step 15: Stool Assembly

Part 1

Repeat For Second Bar Stool



Wood Parts

- 4 x (517) Leg Left
- 4 x (518) Leg Right
- 4 x (521) Long Rail
- 4 x (519) Upper Rung

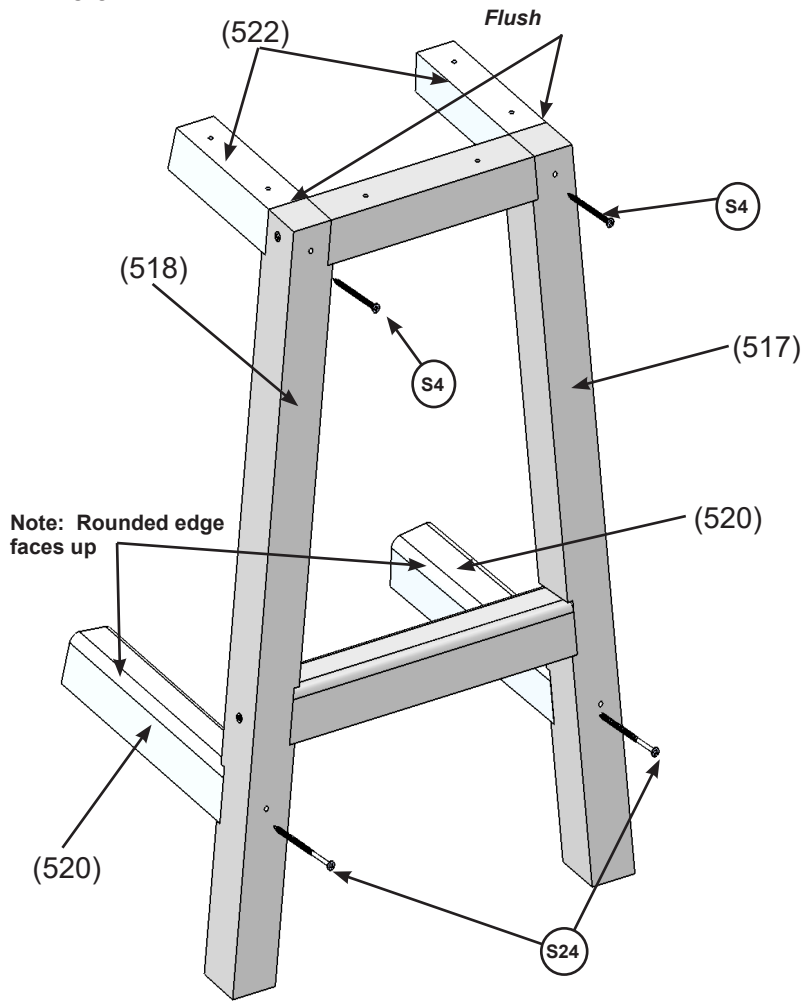
Hardware

- 16 x (S24) #10 x 4" Wood Screw
- 8 x (S3) #8 x 2-1/2" Wood Screw

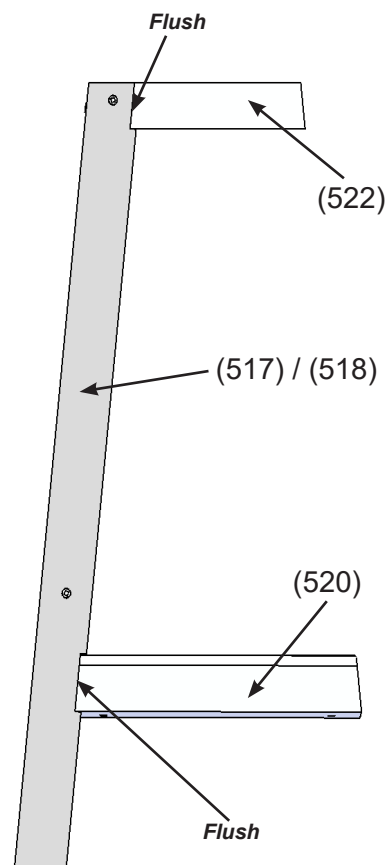
Step 15: Stool Assembly

Part 2

F15.3



F15.4
Side View



Wood Parts

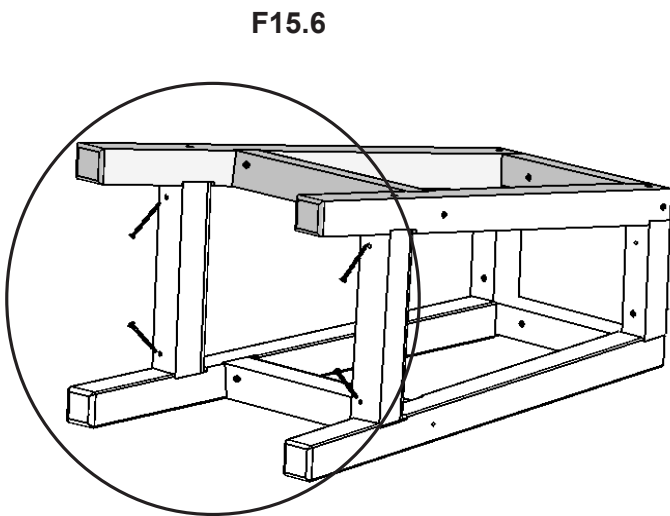
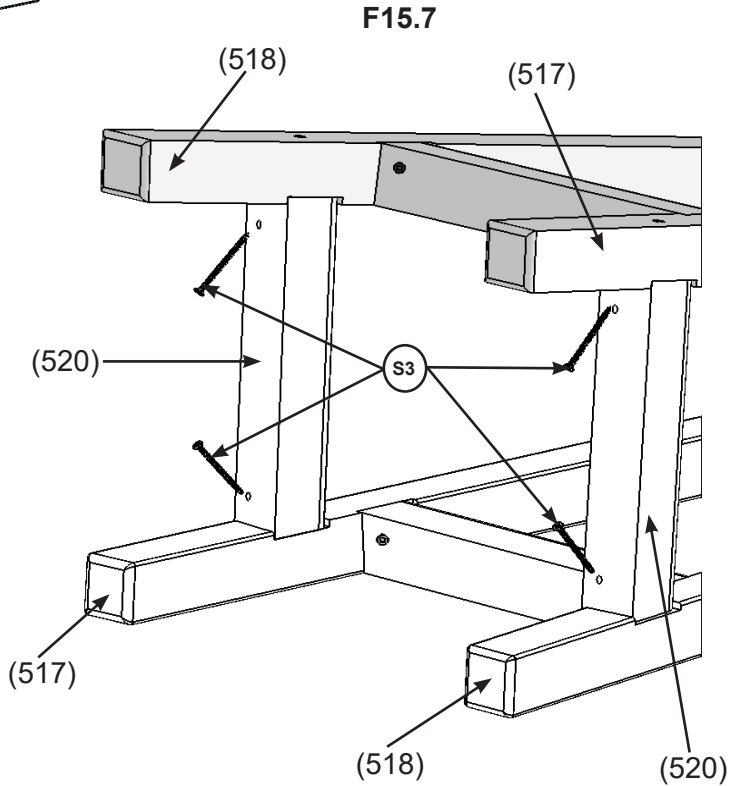
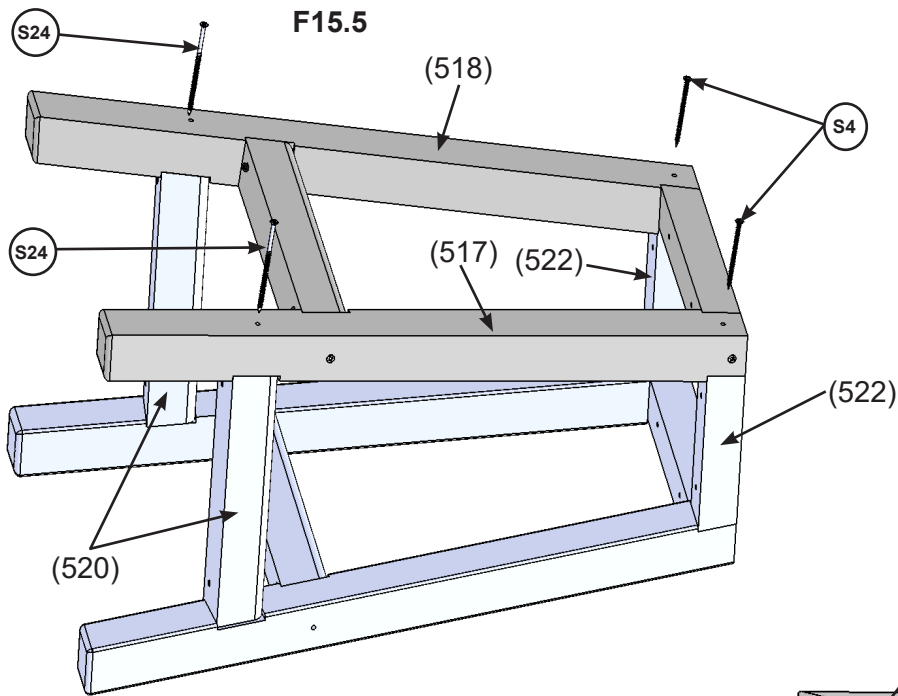
- 4 x (522) Short Rail
- 4 x (520) Lower Rung

Hardware

- 4 x (S24) #10 x 4" Wood Screw
- 4 x (S4) #8 x 3" Wood Screw

Step 15: Stool Assembly

Part 3

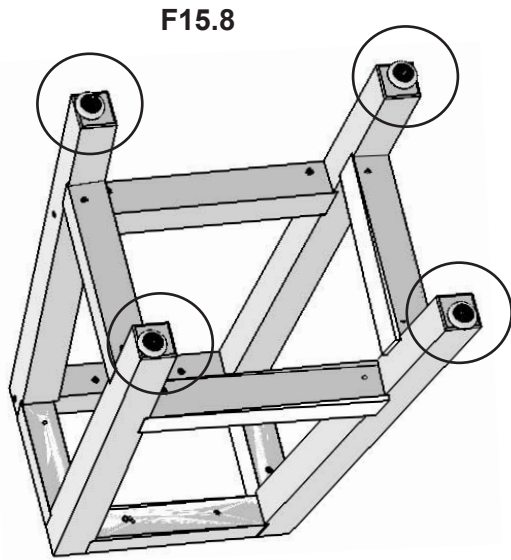


Hardware

- 4 x (S24) #10 x 4" Wood Screw
- 4 x (S4) #8 x 3" Wood Screw
- 8 x (S3) #8 x 2-1/2" Wood Screw

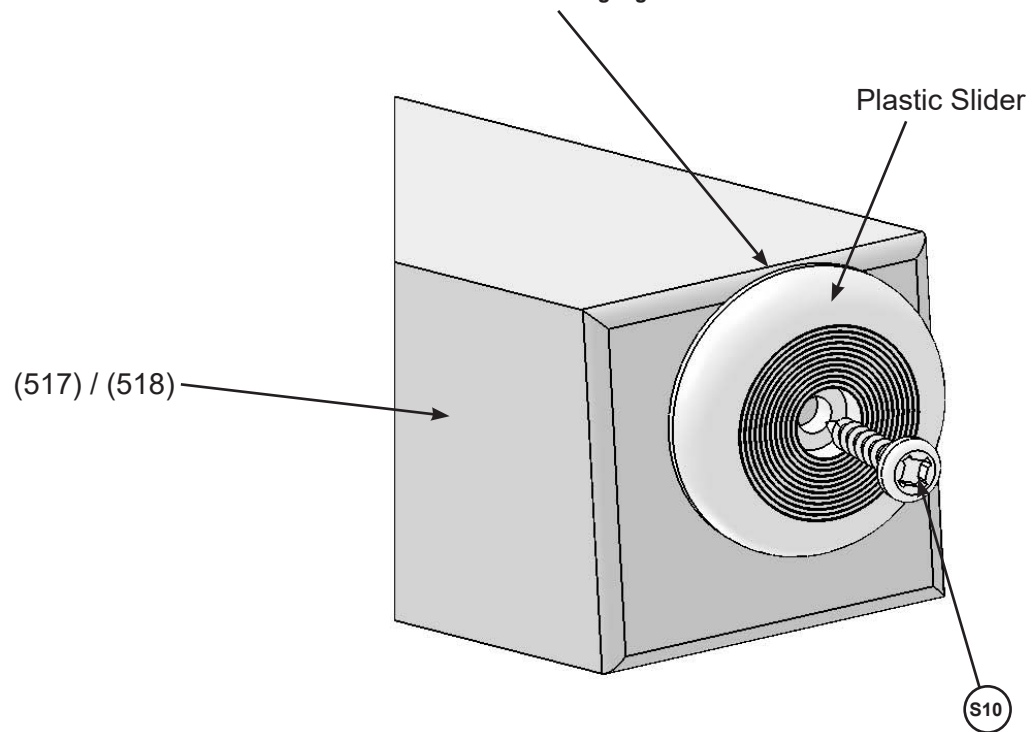
Step 15: Stool Assembly

Part 4



F15.9

Note Plastic Slider must not overhang legs



Components

8 x Plastic Slider

Hardware

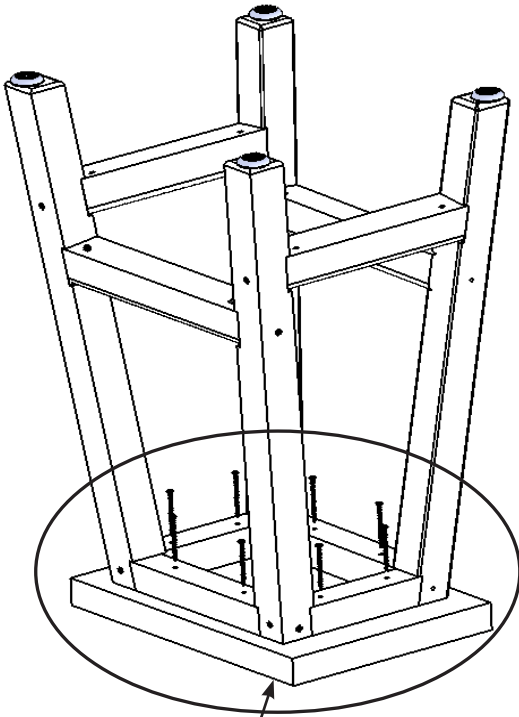
8 x S10 #8 x 1" Pan Screw

Step 15: Stool Assembly

Part 5



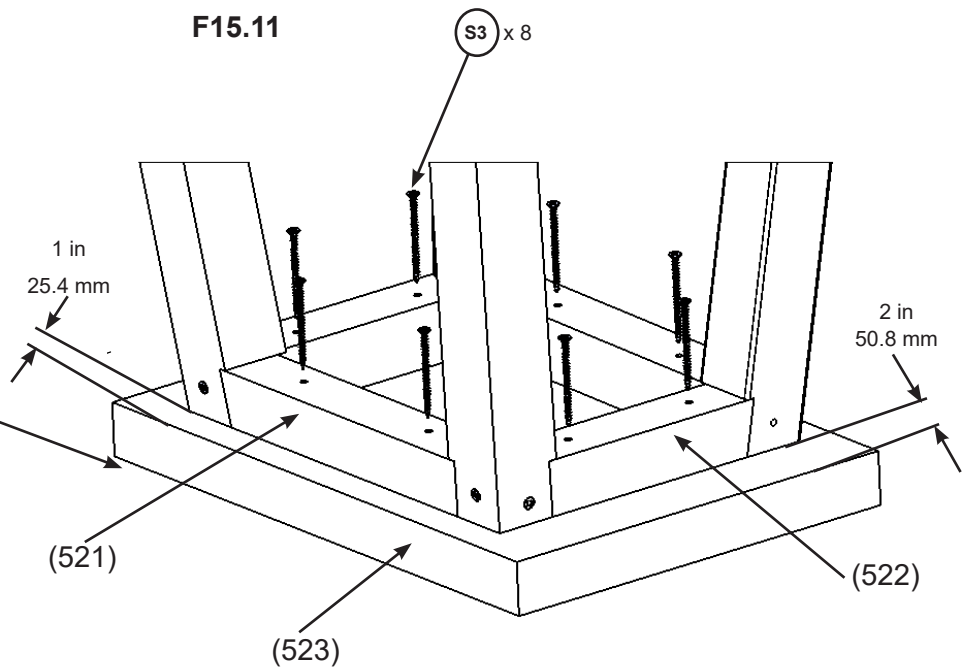
F15.10



F15.11

S3 x 8

Note: Rounded edge
faces down



Wood Parts

2 x (523) Seat

Hardware

16 x S3 #8 x 2-1/2" Wood Screw

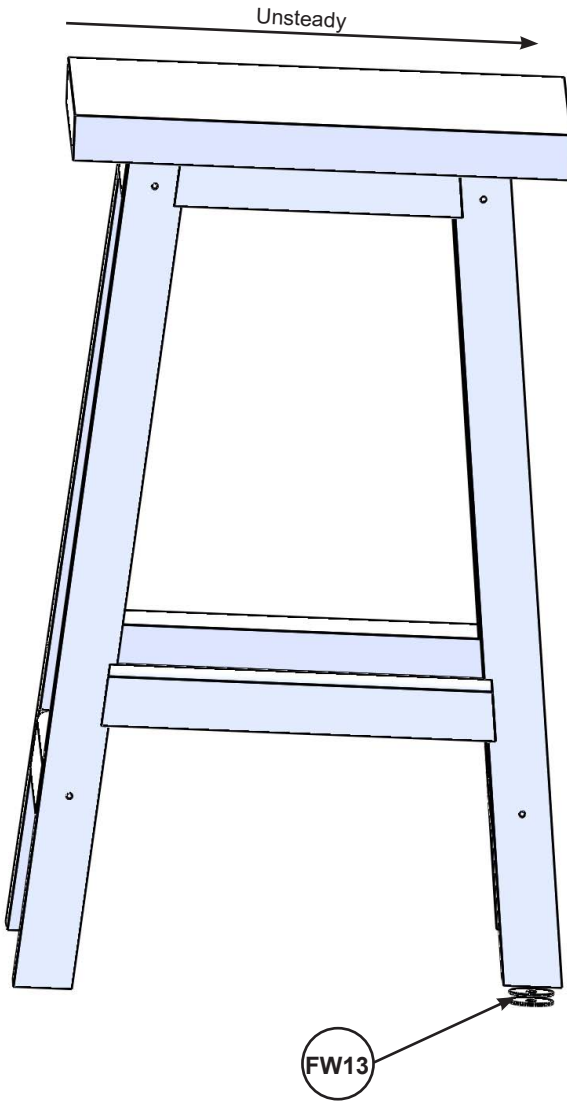
Step 15: Stool Assembly

Part 6

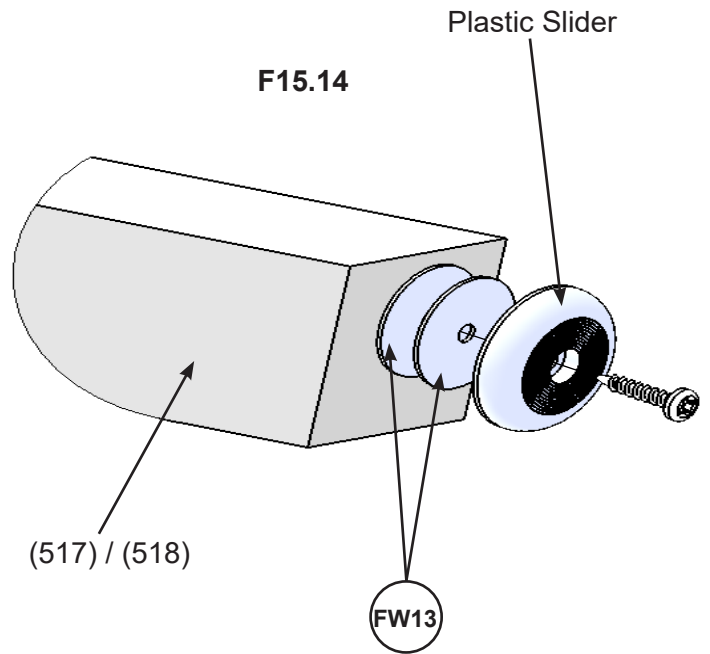


Note: Complete this step Only if Stool is unsteady.

F15.13



F15.14

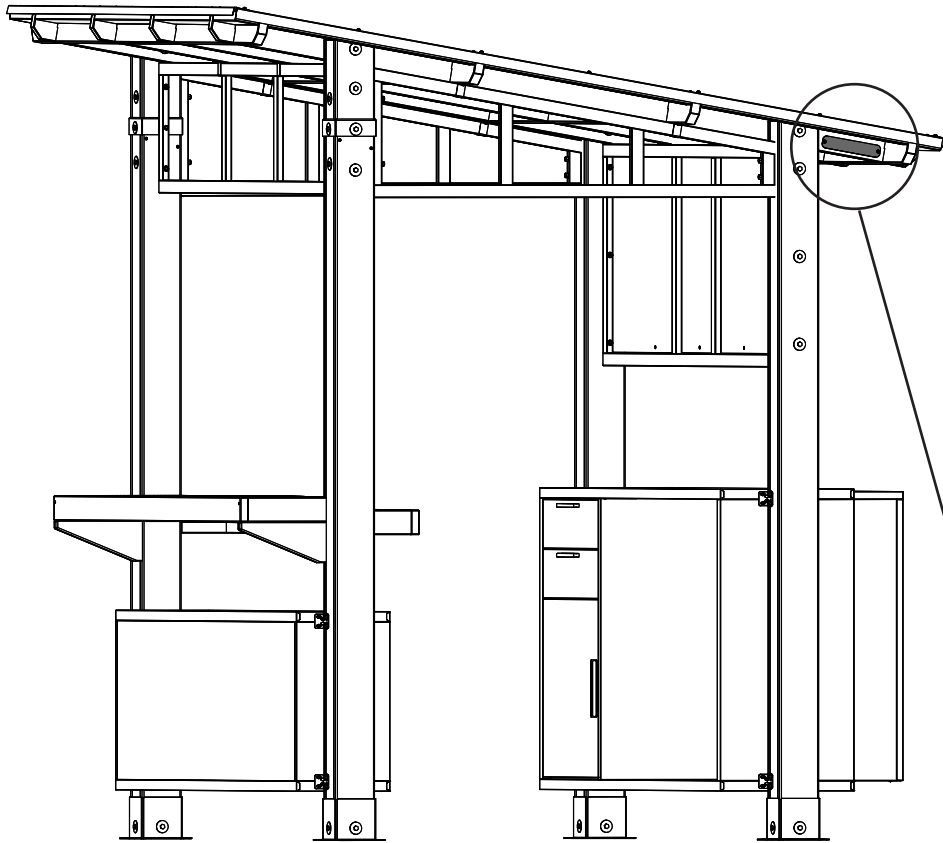


Hardware

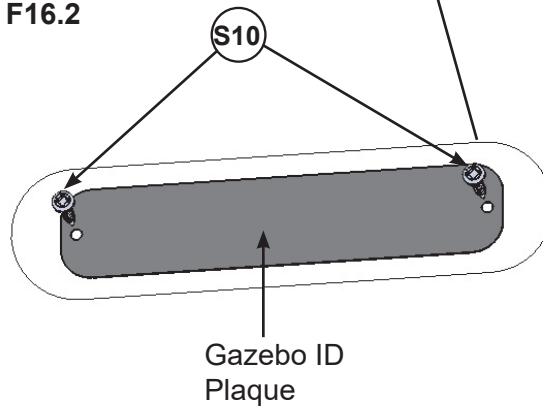
4 x FW13 Flat Washer 31 mm

Step 16: Plaque

F16.1



F16.2



Components

1 x Gazebo ID Plaque

Hardware

2 x **S10** #8 x 1" Pan Screw



Yardistry® 375 Sligo Road West, P.O. Box 10, Mount Forest, ON Canada N0G 2L1

Distributed by:
Costco Wholesale Corporation
P.O. Box 34535
Seattle, WA 98124-1535
USA
1-800-774-2678
www.costco.com

Costco Wholesale Canada Ltd.*
415 W. Hunt Club Road
Ottawa, Ontario
K2E 1C5, Canada
1-800-463-3783
www.costco.ca

* faisant affaire au Québec sous
le nom les Entrepôts Costco

Importado por:
Importadora Primex S.A. de C.V.
Blvd. Magnocentro No. 4
San Fernando La Herradura
Huixquilucan, Estado de México
C.P. 52765
RFC: IPR-930907-S70
(55)-5246-5500
www.costco.com.mx

Costco Wholesale Australia Pty Ltd
17-21 Parramatta Road
Lidcombe NSW 2141
Australia
www.costco.com.au

Costco Wholesale UK Ltd /
Costco Online UK Ltd
Hartspring Lane
Watford, Herts
WD25 8JS
United Kingdom
01923 213113
www.costco.co.uk

Costco Wholesale Spain S.L.U.
Polígono Empresarial Los Gavilanes
C/ Agustín de Betancourt, 17
28906 Getafe (Madrid) España
NIF: B86509460
900 111 155
www.costco.es

Costco Wholesale Iceland ehf.
Kauptún 3-7, 210 Gardabaer
Iceland
www.costco.is

Costco France
1 avenue de Bréhat
91140 Villebon-sur-Yvette
France
01 80 45 01 10
www.costco.fr

Costco Wholesale Japan Ltd.
2 Kakuchi, 2 Gaiku, Kaneda-Nishi
361 Urakura, Kisarazu shi
Chiba, 292-0007 Japan
0570-200-800
www.costco.co.jp

Costco Wholesale Korea, Ltd.
40, Iljik-ro
Gwangmyeong-si
Gyeonggi-do, 14347, Korea
1899-9900
www.costco.co.kr

Costco Wholesale New Zealand Limited
2 Gunton Drive
Westgate
Auckland 0814
New Zealand
www.costco.co.nz

Costco (China) Investment Co., Ltd.
Room 01 Mezzanine
No. 5178, Kang Xin Highway
Pudong New District
Shanghai
China 201315
+86-21-6257-7065

Costco Wholesale Sweden AB
Box 614
114 11 Stockholm
Sweden
www.costco.se

MADE IN CHINA / FABRIQUÉ EN CHINE / HECHO EN CHINA



Customer Registration Card - Carte d'inscription du client - Tarjeta de Registro del Cliente

First Name - Prénom - Primer Nombre	Initial - Initiale - Inicial	Last Name - Nom de famille - Apellido

Street - Rue - Calle	PO Box - Boîte postale - Casilla postal	Apt. No. - App.

City - Ville - Ciudad	State/Province - État/Province - Estado/Provincia

ZIP/Postal Code - ZIP/Code postal - Código Postal	Country - Pays - País

E-mail Address - Adresse courriel - Dirección de E-mail	Telephone Number - N° de téléphone - No. de Teléfono

Model Name - Nom du modèle - Nombre del Modelo	Model Number (from front cover) - N° du modèle (page de couverture) - Número de Modelo (de la portada)

Date of Purchase - Date d'achat - Fecha de Compra (mm/dd/yyyy) (mm/jj/aaaa) (mm/dd/aaaa)	Place of Purchase - Lieu d'achat - Comprado a

Comments - Commentaires - Comentarios :

Mail To - Envoyer par courrier à - Enviar por Correo a:

Yardistry
375 Sligo Road West, PO Box 10
Mount Forest, Ontario, Canada, N0G 2L0
Attention: Consumer Relations
À l'attention de : Service à la clientèle
Atención a: Servicio de Atención al Cliente

Online Registration - Enregistrement en ligne - Registro online:

www.yardistrystructures.com/warranty

1.888.509.4382
Hours/ Heures/ Horas: 8:30 am - 5:00 pm EST
(excl. holidays/ hors jours fériés/ excepto los días festivos)

English and French Spoken / Anglais et français parlés / Inglés y francés hablado

Yardistry would like to say "Thank you" for your time and feedback.

Yardistry aimerait vous remercier d'avoir pris le temps de répondre au sondage.

Yardistry quiere "Agradecerle" por su tiempo y su opinión.