

# 3.7 m x 4.3 m (12.1 ft x 14.1 ft) Everyday Gazebo

Installation and Operating Instructions – YM12732

ITM. / ART. 1807331



IMPORTANT, RETAIN FOR FUTURE REFERENCE: READ CAREFULLY  
THIS ITEM IS INTENDED FOR OUTDOOR DOMESTIC USE ONLY.  
NOT FOR COMMERCIAL USE.

HEIGHT:  
3.1 m / 10.1 ft

Revised 14-08-2024

## YARDISTRY®

Yardistry – North America  
Toll Free Customer Support:  
1.888.509.4382

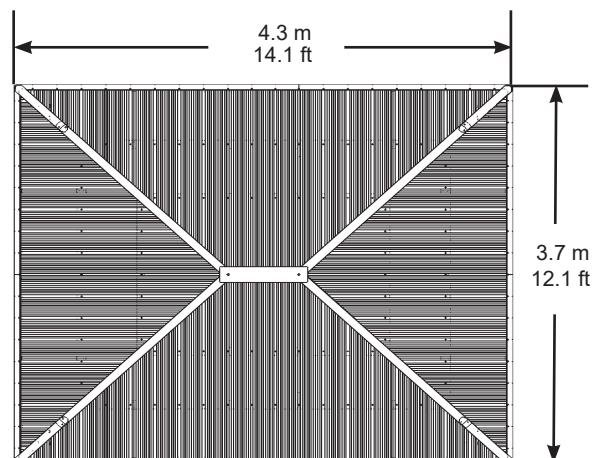
Mon - Fri, 8:30 am - 5:00 pm EST  
(excl. holidays)

English and French Spoken

For extended hours see our website:

[www.yardistrystructures.com](http://www.yardistrystructures.com)  
[info@yardistrystructures.com](mailto:info@yardistrystructures.com)

Patents Pending



## **Important Safety Notice!**

Yardistry components are intended for privacy, decorative and ornamental use only.

### **Product is NOT INTENDED for the following:**

- A safety barrier to prevent unsupervised access to pools, hot tubs, spas or ponds.
- As load bearing support for a building, structure, heavy objects or swings.
- Used in structures that trap wind, rain or snow that would create extra load on the product.

### **Accumulated snow must be removed from roof.**

**DO NOT** climb or walk on roof for any reason.

**Permanent structures may require a building permit.** As the purchaser and or installer of this product you are advised to consult local planning, zoning and building inspection departments for guidance on applicable building codes and/or zoning requirements.

**Wood is NOT flame retardant and will burn.** Grills, fire pits and chimineas are a fire hazard if placed too close to a Yardistry structure. Consult user's manual of the grill, fire pit or chiminea for safe distances from combustible materials.

**Wear gloves to avoid injury** from possible sharp edges of individual elements before assembly.

**During installation, follow all safety warnings provided with your tools and use OSHA approved safety glasses.** Some structures may require two or more people to install safely.

**Check for underground utilities before digging or driving stakes into the ground!**

**During assembly it is important to closely follow the instructions.** Complete the assembly on a solid, level surface and follow the instructions to square up, level and anchor the structure. This will reduce the gaps at wood connections during assembly.

## **General Information**

**General Information:** Wood components are manufactured with premium outdoor lumber (C. Lanceolata) which is protected with factory applied water-based stain. Knots, small checks (cracks) and weathering are naturally occurring and do not affect the strength of the product. Annual application of a water-based water repellent sealant or stain is important and will help reduce weathering and checks.

**[www.yardistrystructures.com](http://www.yardistrystructures.com)**

Questions?  
Call toll free or write us at:  
1 (888) 509-4382  
[support@yardistrystructures.com](mailto:support@yardistrystructures.com)

Regular Hours: Mon - Fri, 8:30 am - 5:00 pm EST  
(excl. holidays)  
English and French Spoken  
(For extended hours see our website)

[www.yardistrystructures.com](http://www.yardistrystructures.com)

Patents Pending

# Limited Warranty

Yardistry warrants that this product is free from defect in materials and workmanship for a period of one (1) year from the original date of purchase. In addition, for any product with lumber, all lumber is warranted for five (5) years against rot and decay. This warranty applies to the original owner and registrant and is non-transferable.

Regular maintenance is required to assure the integrity of your product and is a requirement of the warranty. This warranty does not cover any inspection costs.

## **This Limited Warranty does not cover:**

- Labor for replacement of any defective item(s);
- Incidental or consequential damages;
- Cosmetic defects which do not affect performance or integrity;
- Vandalism; improper use or installation; acts of nature, including but not limited to wind, storms, hail, floods, excessive water exposure;
- Minor twisting, warping, checking or any other natural occurring properties of wood that do not affect performance or integrity.

Yardistry products have been designed for safety and quality. Any modifications made to the original product could damage the structural integrity of the product leading to failure and possible injury. Yardistry cannot assume any responsibility for modified products. Furthermore, modification voids any and all warranties.

**This product is warranted for RESIDENTIAL USE ONLY. Yardistry disclaims all other representations and warranties of any kind, express or implied.**

*This Warranty gives you specific legal rights. You may have other rights as well which vary from state to state or province to province. This warranty excludes all consequential damages, however, some states/provinces do not allow the limitation or exclusion of consequential damages, and therefore this limitation may not apply to you.*

AUSTRALIA: Our goods come with guarantees that cannot be excluded under the Australian Consumer Law. You are entitled to a replacement or refund for a major failure and for compensation for any other reasonably foreseeable loss or damage. You are also entitled to have the goods repaired or replaced if the goods fail to be of acceptable quality and the failure does not amount to a major failure.

# Instructions for Proper Maintenance

Your Yardistry structure is designed and constructed of quality materials. As with all outdoor products it will weather and wear. To maximize the enjoyment, safety and life of your structure it is important that you, the owner, properly maintain it.

## HARDWARE:

- Check metal parts for rust. If found, sand and repaint using a non-lead paint complying with 16 CFR 1303.
- Inspect and tighten all hardware after completion of assembly; after first month of use; and then annually. Do not over-tighten as to cause crushing and splintering of wood.
- Check for sharp edges or protruding screw threads, add washers if required.

## WOOD PARTS:

- Applying a water repellent or stain (water-based) on a yearly basis is important maintenance to maintain maximum life and performance of the product.
- Check all wood members for deterioration, structural damage and splintering. Sand down splinters and replace deteriorated wood members. As with all wood, some checking and small cracks in grain is normal
- Some gapping may occur at some wood connections.

## Assembly Guides

### Tools Required: (Not included)

- |                              |                    |                        |
|------------------------------|--------------------|------------------------|
| • Tape Measure               | • 8 ft Step Ladder | • 6 ft Step Ladder x 2 |
| • Carpenters Level           | • Safety Glasses   | • Square               |
| • Standard or Cordless Drill | • Adult Helper     | • Ratchet              |
| • Claw Hammer                | • Safety Gloves    | • 7/16", 1/2" & 9/16"  |
| • 7/16" & 9/16" Wrench       | • Hard Hat         | Socket                 |

### Symbols:

Throughout these instructions symbols are provided in the top, right-hand corner of the page.



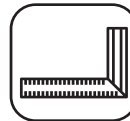
- Use Help, where this is shown, 2, 3 or 4 people are required to safely complete this step. To avoid injury or damage to the assembly make sure to get some help.



- Use a measuring tape to assure proper location



- Pre-drill a pilot hole before fastening screw or lag to prevent splitting of wood.



- Check the assembly is square before tightening bolts



- Check that the assembly is level

**If you dispose of your Yardistry structure:** Please disassemble and dispose of your unit so that it does not create any unreasonable hazards at the time it is discarded. Be sure to follow your local waste ordinances.

## Assembly Tips

Following are some helpful tips to make the assembly process smooth and efficient.

### PRE-ASSEMBLIES:

(i.e. Post and Beam Assemblies, Roof Rafter Assembly, etc)

- Work on a raised, solid and flat surface such as a table or saw horse.
- Keep all connections flush where shown in the instructions.
- When assembling the beams keep parts flat, straight and snug when connecting.

### METAL PARTS:

- Roofing material may have sharp edges, wear safety gloves.
- Remove all plastic covering, on both sides of the metal panels, directly before installing each piece.
- Place roofing material on a non-abrasive surface before and after assembly as it can bend, dent and scratch easily.
- The roofing screws can easily crush the roof panels and roof edges when using a power drill. We recommend hand tightening the roofing screws so they sit snug and tight to the roofing material.

# Permanent Installation Examples

**Note: It is critically important you start with square, solid and level footings, concrete pad or deck to attach your Gazebo.**

We supply Post Mounts with this structure which gives you the flexibility to permanently install your structure to a pre-existing or new wood or concrete surface.

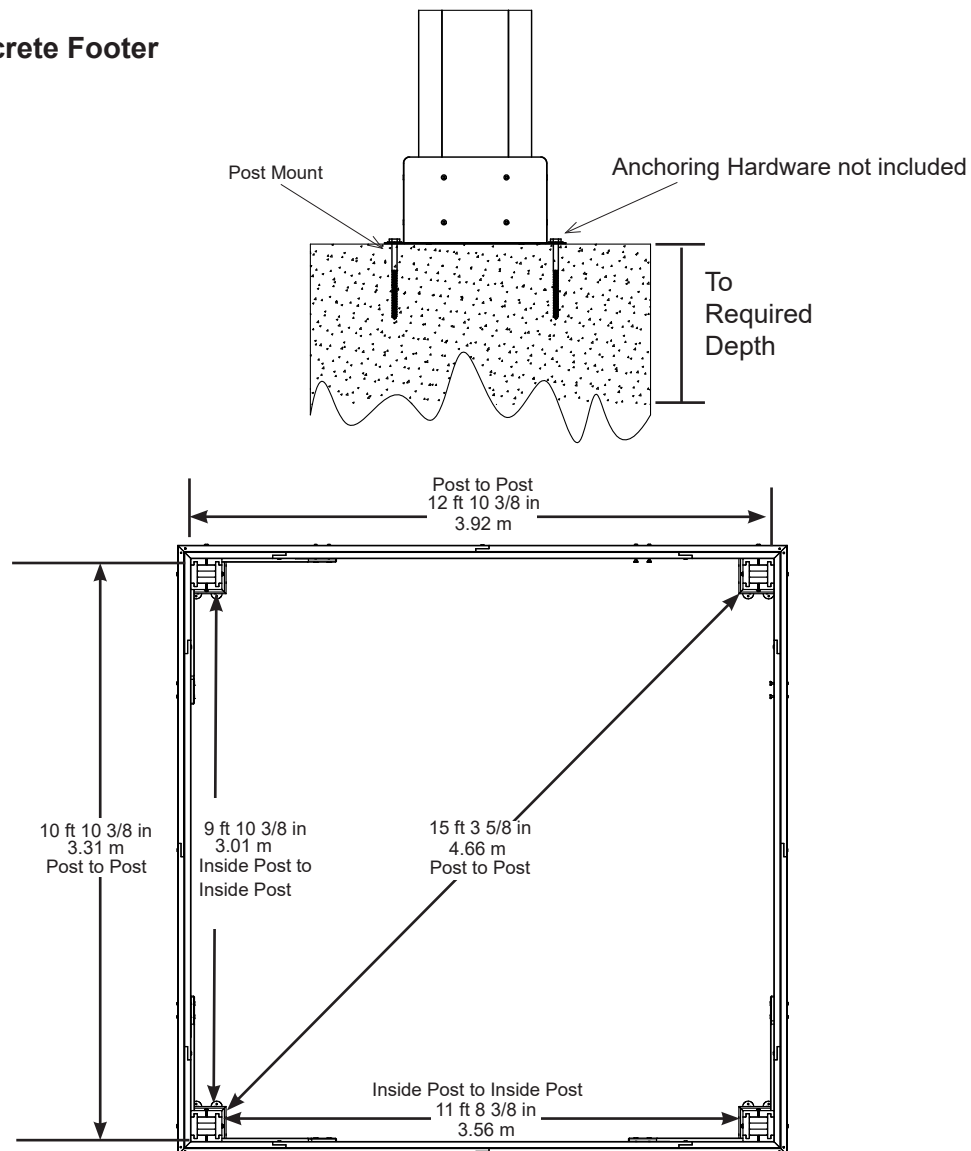
- The hardware to attach the Post Mount to the structure is included.
- The hardware to mount the structure permanently will need to be purchased separately at your local hardware store.

If you are mounting to concrete footers see below for the correct locations and placement. Please double check for possibility of any underground utilities such as gas, telephone, cable or sprinkler lines.

Following are some examples of how to mount the structure to wood or concrete surfaces.

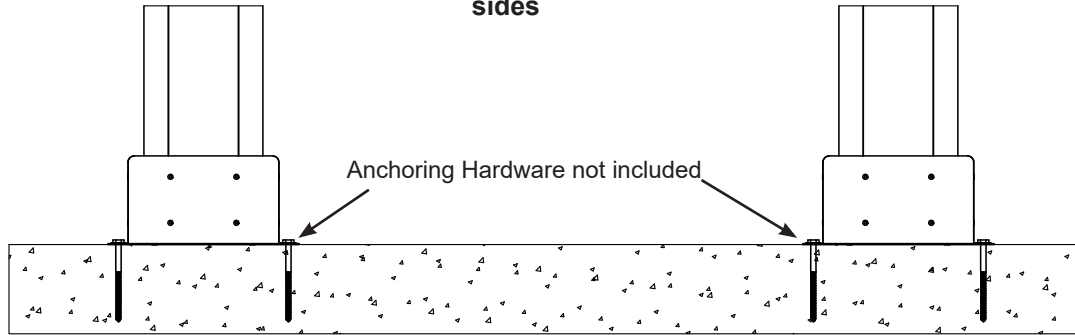
Refer to your local building and city codes, ordinances, neighborhood covenants, or height restrictions regarding this type of structure for guidance on acceptable installation requirements.

## Concrete Footer

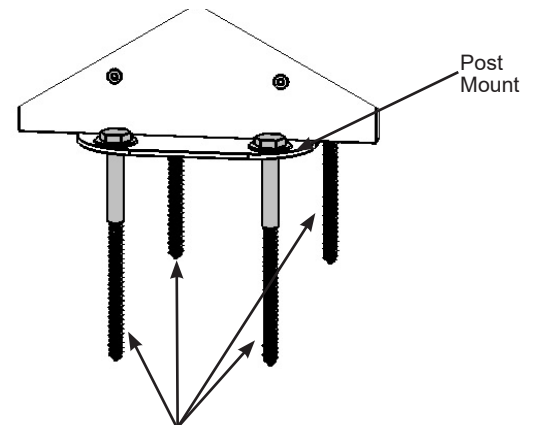
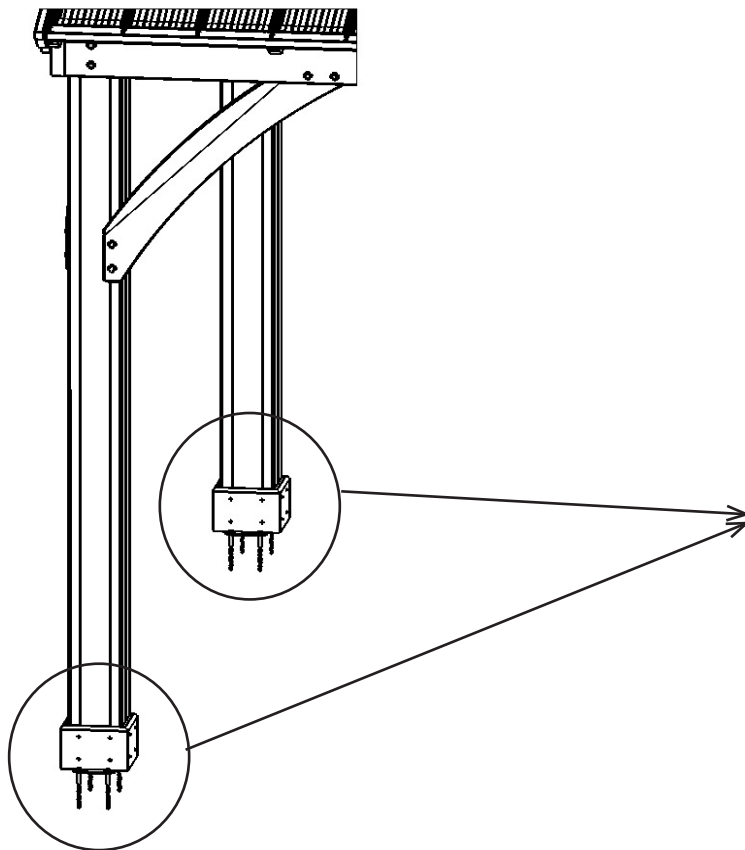
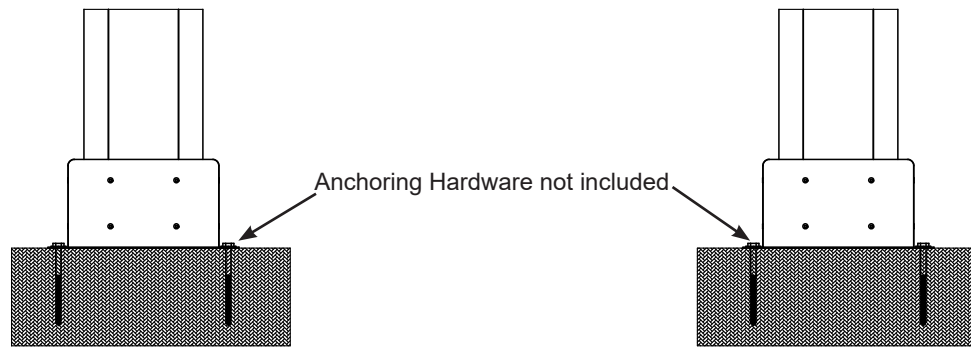


## Permanent Installation Examples cont.

**Concrete Patio (min. 11 ft 11 in (3.63 m) x 13 ft 11 in (4.24 m)) with 6 in (15.24 cm) clearance on all sides**



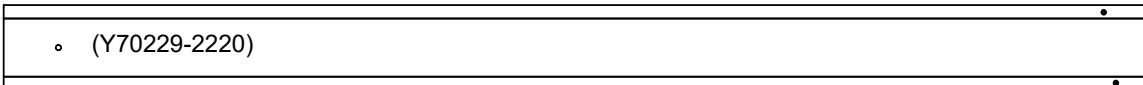
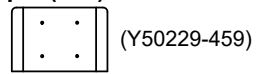
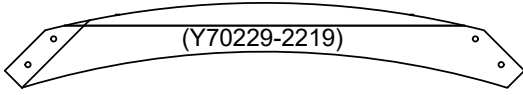
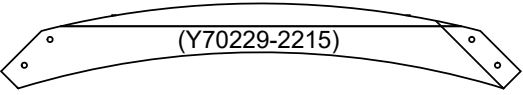
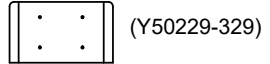

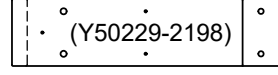
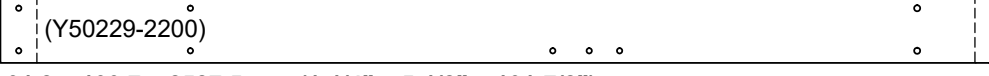
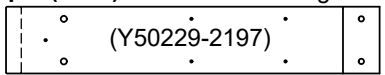
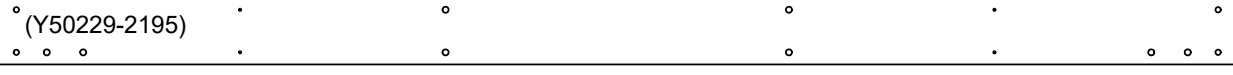
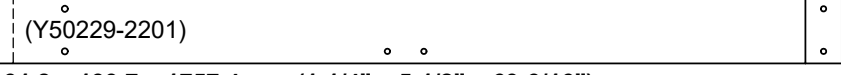

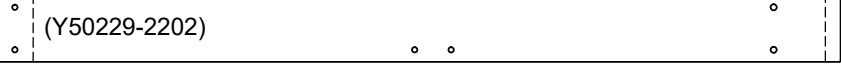
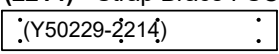
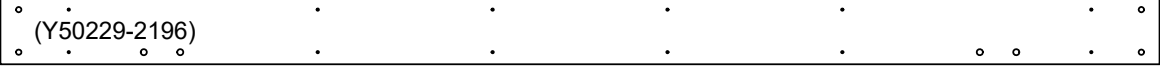
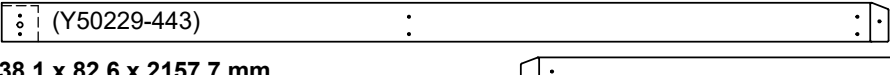
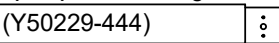
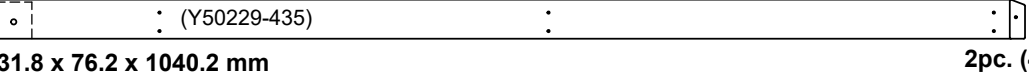
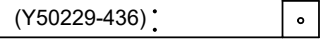
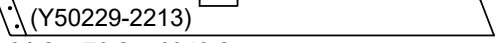
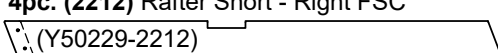
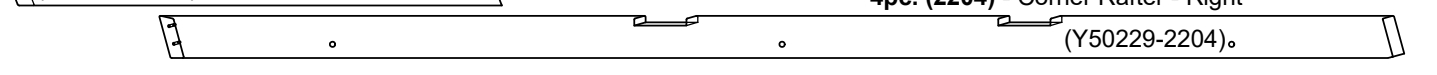
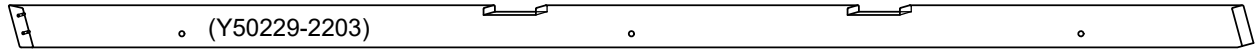
**Wood Deck (min. 11 ft 11 in (3.63 m) x 13 ft 11 in (4.24 m)) with 6 in (15.24 cm) clearance on all sides**



Anchoring Hardware (not included)

**Post Mounts have a 1/2 in (12.7 mm) diameter hole for anchoring hardware.**

# Part Identification (Dimensions are approximate and are shown to assist in the identification of parts for assembly. Actual dimensions may be smaller or larger.)

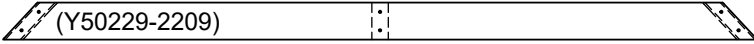
<p><b>152.4 x 177.8 x 2387.6 mm (6 x 7 x 94")</b>  <b>4pc. (2220) - 6x7 Post FSC</b></p>	<p><b>23.8 x 133.4 x 200 mm (15/16" x 5-1/4" x 7-7/8")</b>  <b>8pc. (459) - Plinth FSC</b></p>	
 <p>(Y70229-2220)</p>	 <p>(Y50229-459)</p>	
<p><b>30 x 177.5 x 1085.9 mm (1-3/16" x 7" x 42-5/8")</b>  <b>4pc. (2219) - Gusset Right FSC</b></p>	<p><b>30 x 177.5 x 1085.9 mm (1-3/16" x 7" x 42-5/8")</b>  <b>4pc. (2215) - Gusset Left FSC</b></p>	<p><b>23.8 x 133.4 x 225.4 mm (15/16" x 5-1/4" x 8-7/8")</b>  <b>8pc. (329) - Long Plinth FSC</b></p>
 <p>(Y70229-2219)</p>	 <p>(Y70229-2215)</p>	 <p>(Y50229-329)</p>
<p><b>31.8 x 139.7 x 2062.1 mm (1-1/4" x 5-1/2" x 81-3/16")</b>  <b>2pc. (2199) Beam Left - Long FSC</b></p>	<p><b>31.8 x 139.7 x 552.8 mm (1-1/4" x 7-1/2" x 21-3/4")</b>  <b>4pc. (2198) - Beam End - Short FSC</b></p>	
 <p>(Y50229-2199)</p>	 <p>(Y50229-2198)</p>	
<p><b>31.8 x 139.7 x 2062.1 mm (1-1/4" x 5-1/2" x 81-3/16")</b>  <b>2pc. (2200) Beam Right - Long FSC</b></p>	<p><b>31.8 x 139.7 x 774.7 mm (1-1/4" x 7-1/2" x 30 1/2")</b>  <b>4pc. (2197) - Beam End - Long FSC</b></p>	
 <p>(Y50229-2200)</p>	 <p>(Y50229-2197)</p>	
<p><b>31.8 x 139.7 x 2587.5 mm (1-1/4" x 5-1/2" x 101-7/8")</b>  <b>2pc. (2195) Beam Center - Long FSC</b></p>	 <p>(Y50229-2195)</p>	
<p><b>31.8 x 139.7 x 1757.4 mm (1-1/4" x 5-1/2" x 69-3/16")</b>  <b>2pc. (2201) Beam Left - Short FSC</b></p>	<p><b>31.8 x 93.8 x 577.9 mm (1-1/4" x 3-11/16" x 22-3/4")</b>  <b>2pc. (434) - Top FSC</b></p>	
 <p>(Y50229-2201)</p>	 <p>(Y50229-434)</p>	
<p><b>31.8 x 139.7 x 1757.4 mm (1-1/4" x 5-1/2" x 69-3/16")</b>  <b>2pc. (2202) Beam Right - Short FSC</b></p>	<p><b>25.4 x 76.2 x 574.9 mm (1-1/4" x 3" x 22 5/8")</b>  <b>2pc. (2214) - Strap Brace FSC</b></p>	
 <p>(Y50229-2202)</p>	 <p>(Y50229-2214)</p>	
<p><b>31.8 x 139.7 x 2422.1 mm (1-1/4" x 5-1/2" x 95-3/8")</b>  <b>2pc. (2196) Beam Center - Short FSC</b></p>	 <p>(Y50229-2196)</p>	
<p><b>38.1 x 82.6 x 1853 mm (1-1/2" x 3-1/4" x 72-15/16)</b>  <b>2pc. - (443) Fascia Left FSC</b></p>	<p><b>38.1 x 82.6 x 1853 mm (1-1/2" x 3-1/4" x 72-15/16)</b>  <b>2pc. (444) - Fascia Right FSC</b></p>	
 <p>(Y50229-443)</p>	 <p>(Y50229-444)</p>	
<p><b>38.1 x 82.6 x 2157.7 mm (1-1/2" x 3-1/4" x 84-61/64")</b>  <b>2pc. (435) - Fascia Left - Large Roof FSC</b></p>	<p><b>38.1 x 82.6 x 2157.7 mm (1-1/2" x 3-1/4" x 84-15/16")</b>  <b>2pc. (436) - Fascia Right - Large Roof FSC</b></p>	
 <p>(Y50229-435)</p>	 <p>(Y50229-436)</p>	
<p><b>31.8 x 76.2 x 1040.2 mm (1-1/4" x 3" x 40-15/16")</b>  <b>4pc. (2213) Rafter Short - Left FSC</b></p>	 <p>(Y50229-2213)</p>	<p><b>31.8 x 76.2 x 1915.4 mm (1-1/4" x 3" x 75-3/8")</b>  <b>6pc. (2206) - Rafter FSC</b></p>
<p><b>31.8 x 76.2 x 1040.2 mm (1-1/4" x 3" x 40-15/16")</b>  <b>4pc. (2212) Rafter Short - Right FSC</b></p>	 <p>(Y50229-2212)</p>	<p><b>25.4 x 88.9 x 2601.9 mm (1" x 3.5" x 102-7/16")</b>  <b>4pc. (2204) - Corner Rafter - Right</b></p>
 <p>(Y50229-2204)</p>		
<p><b>25.4 x 88.9 x 2601.9 mm (1" x 3.5" x 102-7/16")</b>  <b>4pc. (2203) - Corner Rafter - Left</b></p>	 <p>(Y50229-2203)</p>	



# Part Identification ( Dimensions are approximate and are shown to assist in the identification of parts for assembly. Actual dimensions may be smaller or larger. )

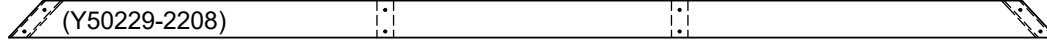
**28.8 x 76.2 x 1553.3 mm (1-1/8" x 3" x 61-1/8")**

**2pc. (2209) - Strap Short FSC**



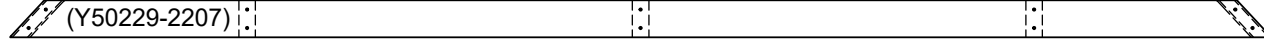
**28.8 x 76.2 x 2156.9 mm (1-1/8" x 3" x 84-15/16")**

**2pc. (2208) - Strap Short - Large Roof FSC**



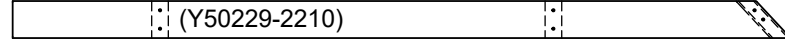
**28.8 x 76.2 x 2596.6 mm (1-1/8" x 3" x 102-3/16")**

**2pc. (2207) - Strap FSC**



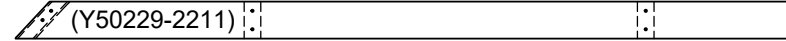
**28.8 x 76.2 x 1601.3 mm (1-1/8" x 3" x 62-15-16")**

**2pc. (2210) - Strap Right - Large Roof FSC**



**28.8 x 76.2 x 1601.3 mm (1-1/8" x 3" x 62-15-16")**

**2pc. (2211) - Strap Left - Large Roof FSC**



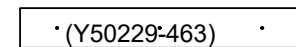
**30 x 76.2 x 2336.8 mm (1-3/16" x 3" x 92")**

**2pc. (2205) - Tie FSC**

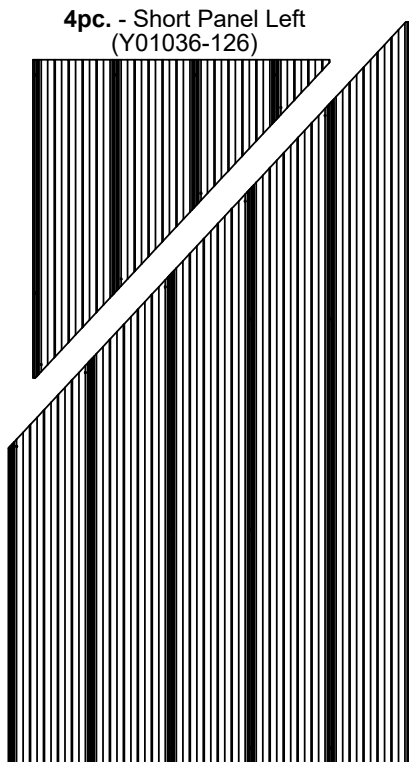
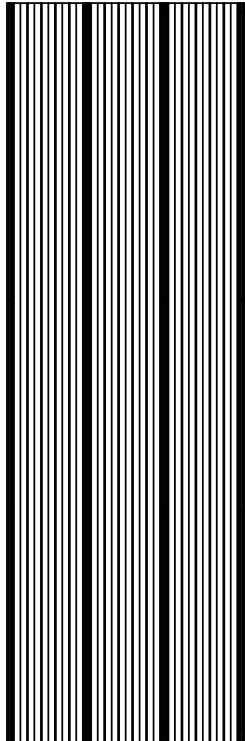
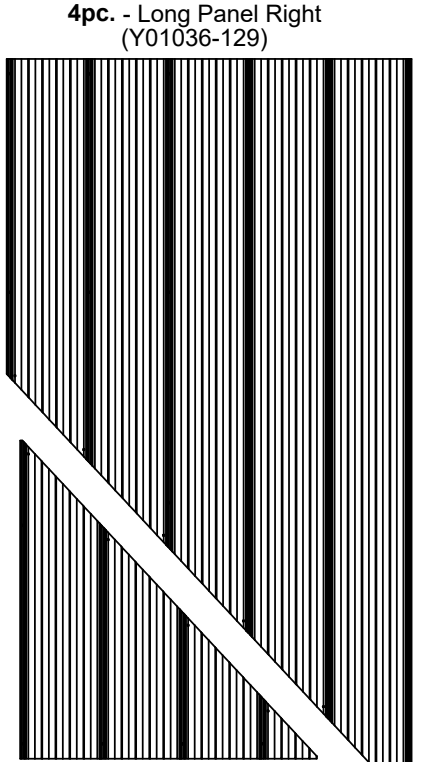

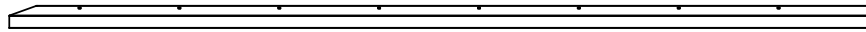
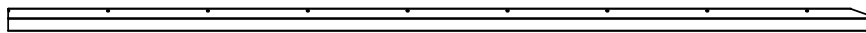
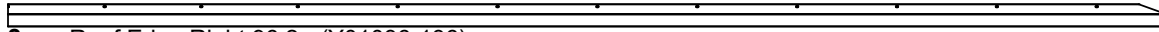
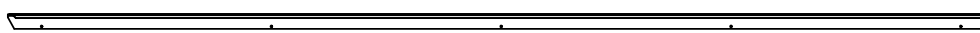
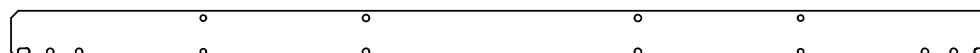
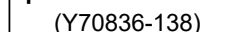
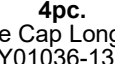


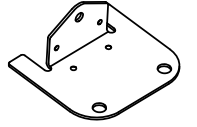

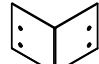
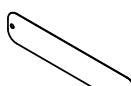

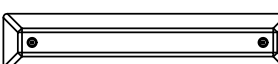
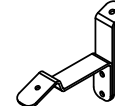







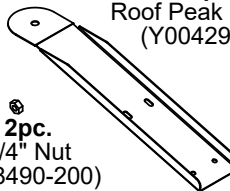

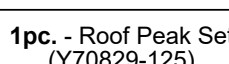



**31.8 x 81.6 x 574.7 mm (1-1/4" x 3-3/8" x 22-5/8")**

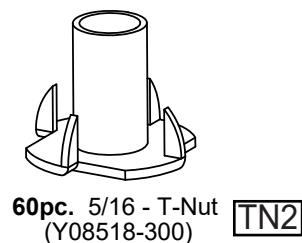
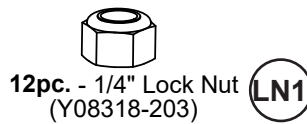
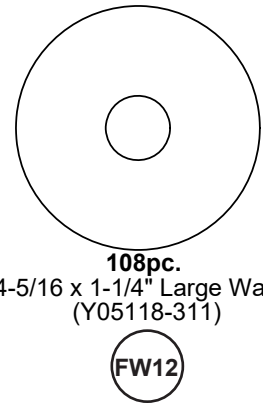
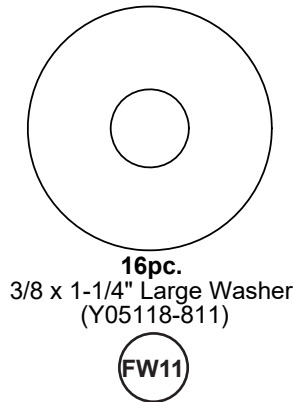
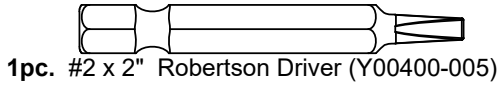
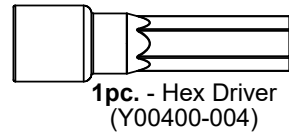
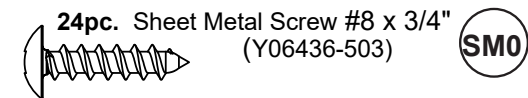
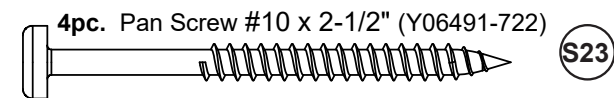
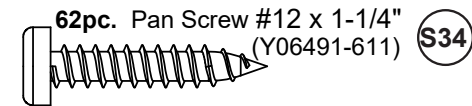
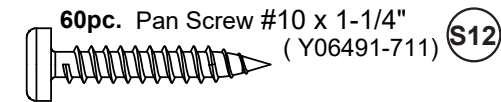
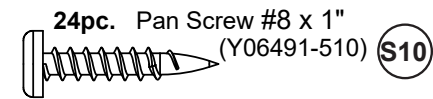
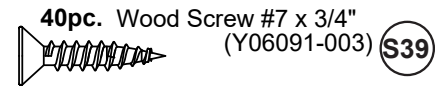
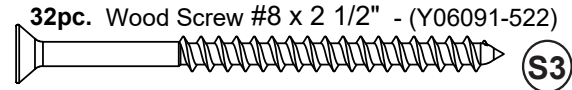
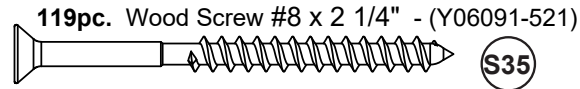
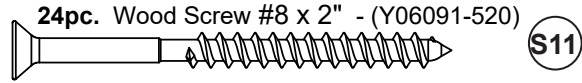
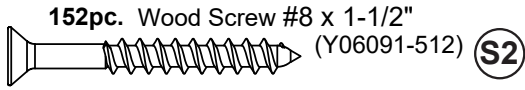
**1pc. (463) - Spacer Top FSC**



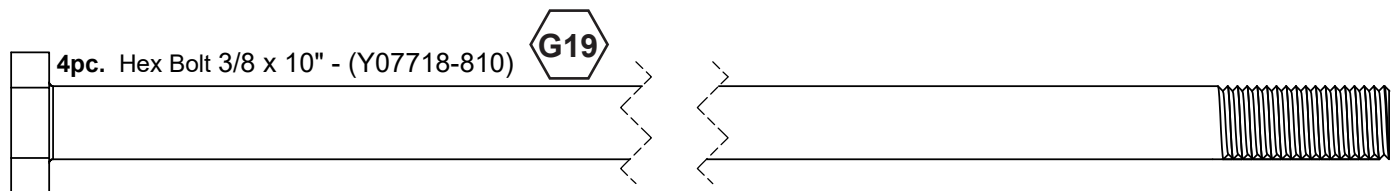
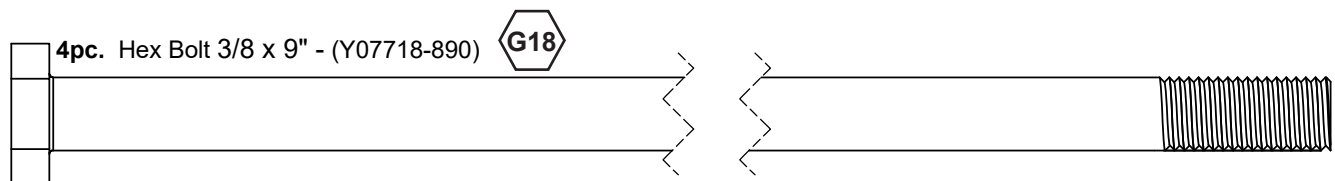
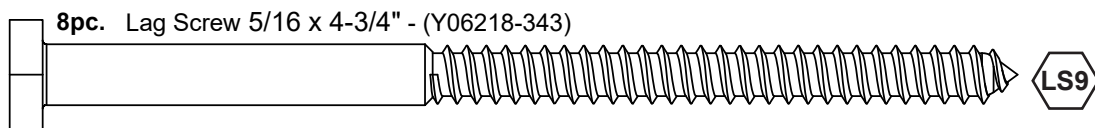
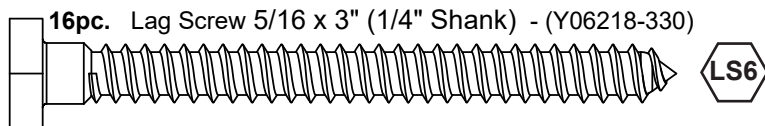
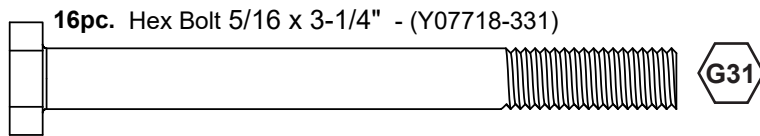
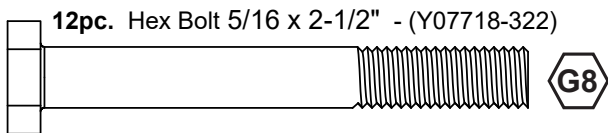
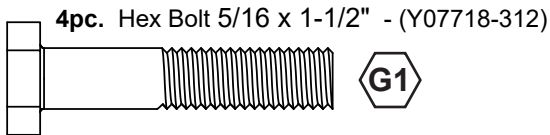
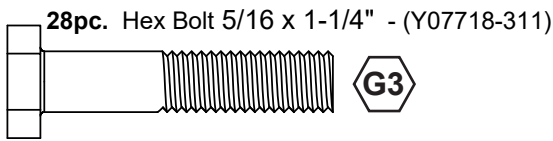
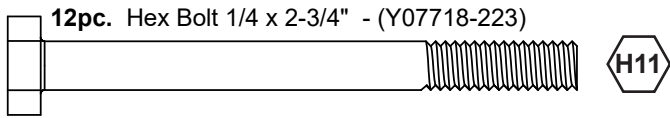
# Hardware Identification ( Dimensions are approximate and are shown to assist in the identification of parts for assembly. Actual dimensions may be smaller or larger. )

<p><b>4pc. - Short Panel Left</b> (Y01036-126)</p>  <p><b>4pc. - Long Panel Left</b> (Y01036-127)</p>	<p><b>2pc. - Middle Panel</b> (Y01036-130)</p> 	<p><b>4pc. - Long Panel Right</b> (Y01036-129)</p>  <p><b>4pc. - Short Panel Right</b> (Y01036-128)</p>	<p><b>4pc. Ridge Cap Short 25.2</b> (Y01036-132)</p> 	
<p><b>4pc. Roof Edge Left 72.2</b> - (Y01036-134)</p>  <p><b>2pc. Roof Edge Right 72.2</b> - (Y01036-135)</p>  <p><b>2pc. Roof Edge Right 96.2</b> - (Y01036-136)</p>  <p><b>8pc. Ridge Clip 102.5</b> - (Y01036-133)</p>  <p><b>2pc. Long Beam Insert</b> - (Y00429-124)</p> 	<p><b>1pc. - Roof Panel Set</b> (Y70836-138)</p> 	<p><b>4pc. Ridge Cap Long 81.5</b> (Y01036-131)</p> 	<p><b>1pc. 45° Twist Bracket RT Set (2pk)</b> (Y70829-192)</p> 	
<p><b>1pc. - Weather Seal - Ridge Clip (8Pk)</b> (Y70818-074)</p>  <p><b>1pc. - Post Mount Set (8Pk)</b> (Y70829-109)</p> 	<p><b>1pc. Tie Wrap Bracket (4Pk)</b> (Y70829-106)</p>  <p><b>1pc. - Corner Cap Set (4Pk)</b> (Y70836-103)</p>  <p><b>1pc. - Gazebo ID Plaque</b> (Y70800-104)</p>  <p><b>2pc. - 50mm Hook</b> (Y00418-050)</p> 	<p><b>1pc. Peak Cap Long</b> (Y01036-137)</p>  <p><b>1pc. - Roof to Beam Bracket Set (14Pk)</b> (Y70829-123)</p>  <p><b>1pc. - Roof to Post Bracket Set (4pk)</b> (Y70829-070)</p> 	<p><b>2pc. Peak Post</b> (Y01000-094)</p>  <p><b>1pc. 45° Twist Bracket LT Set (2pk)</b> (Y70829-191)</p>  <p><b>2pc. Carriage Bolt</b> (Y07428-260)</p>  <p><b>2pc. Spring Clip</b> (Y09490-001)</p>  <p><b>1pc. 1/4" Eye Lag</b> (Y00218-001)</p> 	<p><b>2pc. Contoured Washer</b> (Y05918-211)</p>  <p><b>4pc. Roof Peak Bracket</b> (Y00429-125)</p>  <p><b>2pc. 1/4" Nut</b> (Y08490-200)</p>  <p><b>1pc. - Roof Peak Set</b> (Y70829-125)</p>  <p><b>2pc. Peak Loop</b> (Y20018-003)</p> 

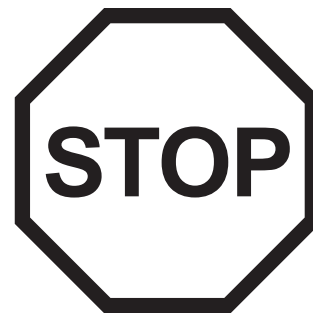
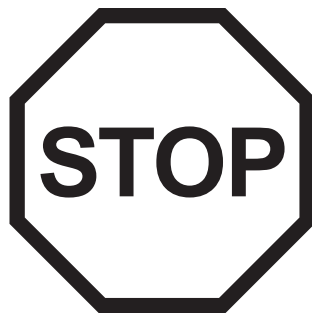
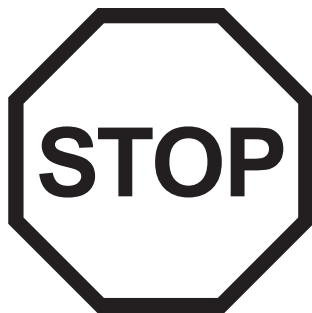
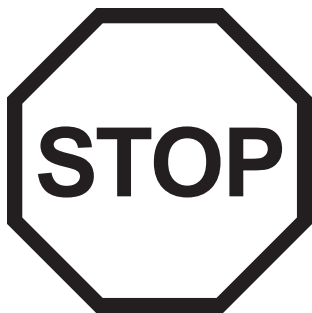
# Hardware Identification (Dimensions are approximate and are shown to assist in the identification of parts for assembly. Actual dimensions may be smaller or larger.)



# Hardware Identification (Dimensions are approximate and are shown to assist in the identification of parts for assembly. Actual dimensions may be smaller or larger.)



# Step 1: Inventory Parts - Read This Before Starting Assembly



- A.** This is the time for you to inventory all your hardware, wood and accessories, referencing the parts identification sheets. This will assist you with your assembly.
- Each step indicates which bolts and/or screws you will need for assembly, as well as any flat washers, lock washers, t-nuts or lock nuts.
- B.** If there are any missing or damaged pieces or you need assistance with assembly please contact the consumer relations department directly. Call us before going back to the store.

**1-888-509-4382**

Regular Hours: Mon - Fri, 8:30 am - 5:00 pm EST (excl. holidays)  
English and French Spoken

**[support@yardistrystructures.com](mailto:support@yardistrystructures.com)**

- C.** Read the assembly manual completely, paying special attention to ANSI warnings; notes; and safety/maintenance information on pages 1 - 4.
- Follow the instructions in order.
  - This structure is designed to be assembled and installed ideally by four people, DO NOT attempt to install alone.
  - Consider the slope of elevation where you plan to install the structure. Also, check for gas, telephone, other utilities or sprinkler line locations prior to excavating any holes.
- D.** Before you discard your cartons fill out the form below.
- The carton I.D. stamp is located on the end of each carton.
  - Please retain this information for future reference. You will need this information if you contact the Consumer Relations Department.

**PRODUCT NUMBER: YM12732**

CARTON I.D. STAMP: \_ \_ \_ \_ \_ 14459 \_ (Box 1)

CARTON I.D. STAMP: \_ \_ \_ \_ \_ 14459 \_ (Box 2)

CARTON I.D. STAMP: \_ \_ \_ \_ \_ 14459 \_ (Box 3)

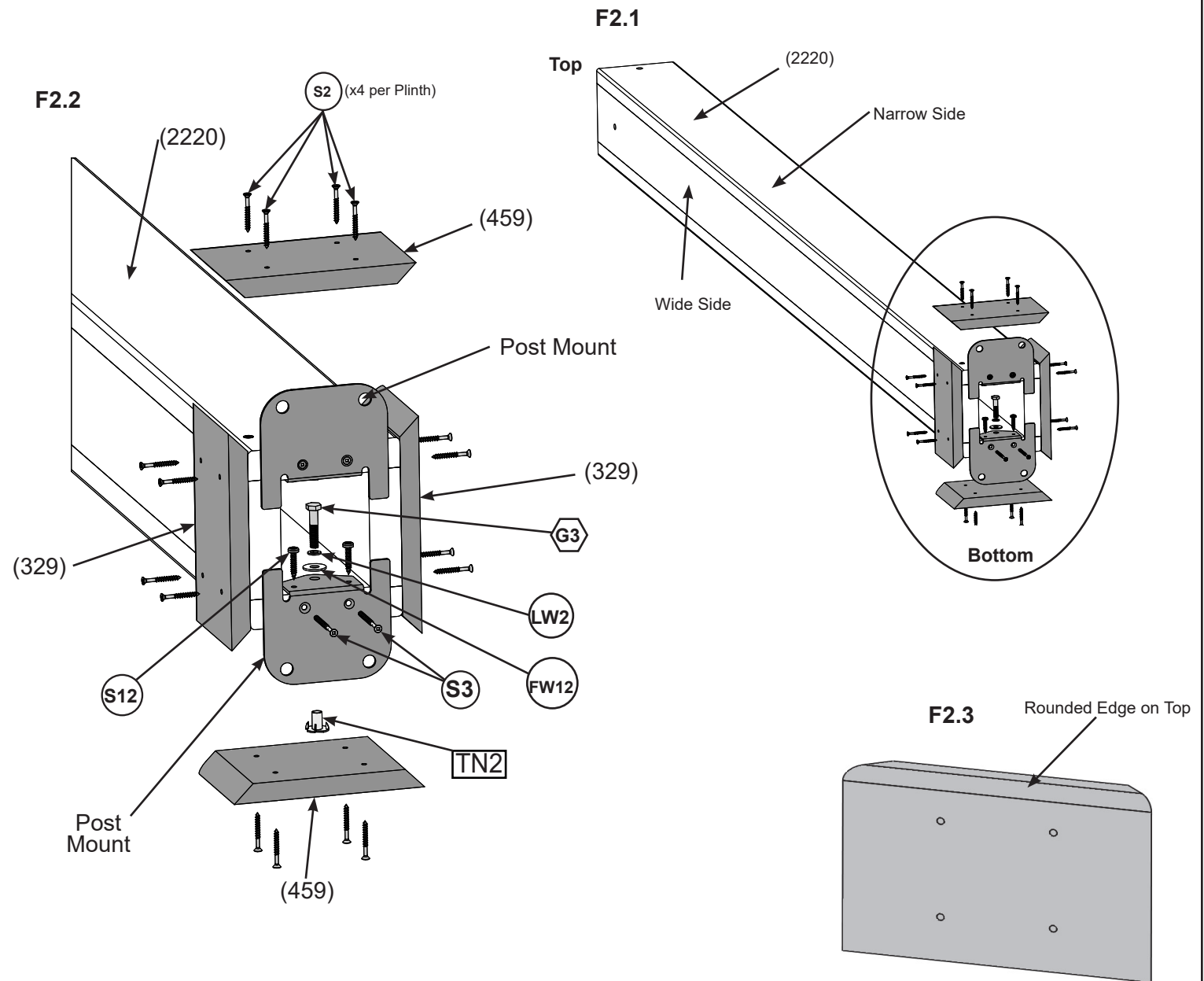
# Step 2: Post Assemblies

**A:** At the bottom of one (2220) insert two TN2 on the outside of each narrow side. (F2.2)

**B:** At the bottom of the same (2220) place two Post Mounts tight to the bottom and inside faces on the narrow sides as shown in F2.1 and F2.2. Loosely attach with two G3 (with LW2 and FW12) per mount so they connect to the TN2. From the bottom attach with two S3 and two S12 per mount. Tighten bolts.

**C:** Flush to the bottom of (2220) place one (329) on each long side and one (459) on each short side and attach with four S2 per plinth. Rounded edges on top. (F2.1, F2.2 and F2.3)

**D:** Repeat Steps A - C three more times to make four Post Assemblies.



### Wood Parts

- 4 x (2220) 6 x 7 Post
- 8 x (459) Plinth
- 8 x (329) Long Plinth

### Components

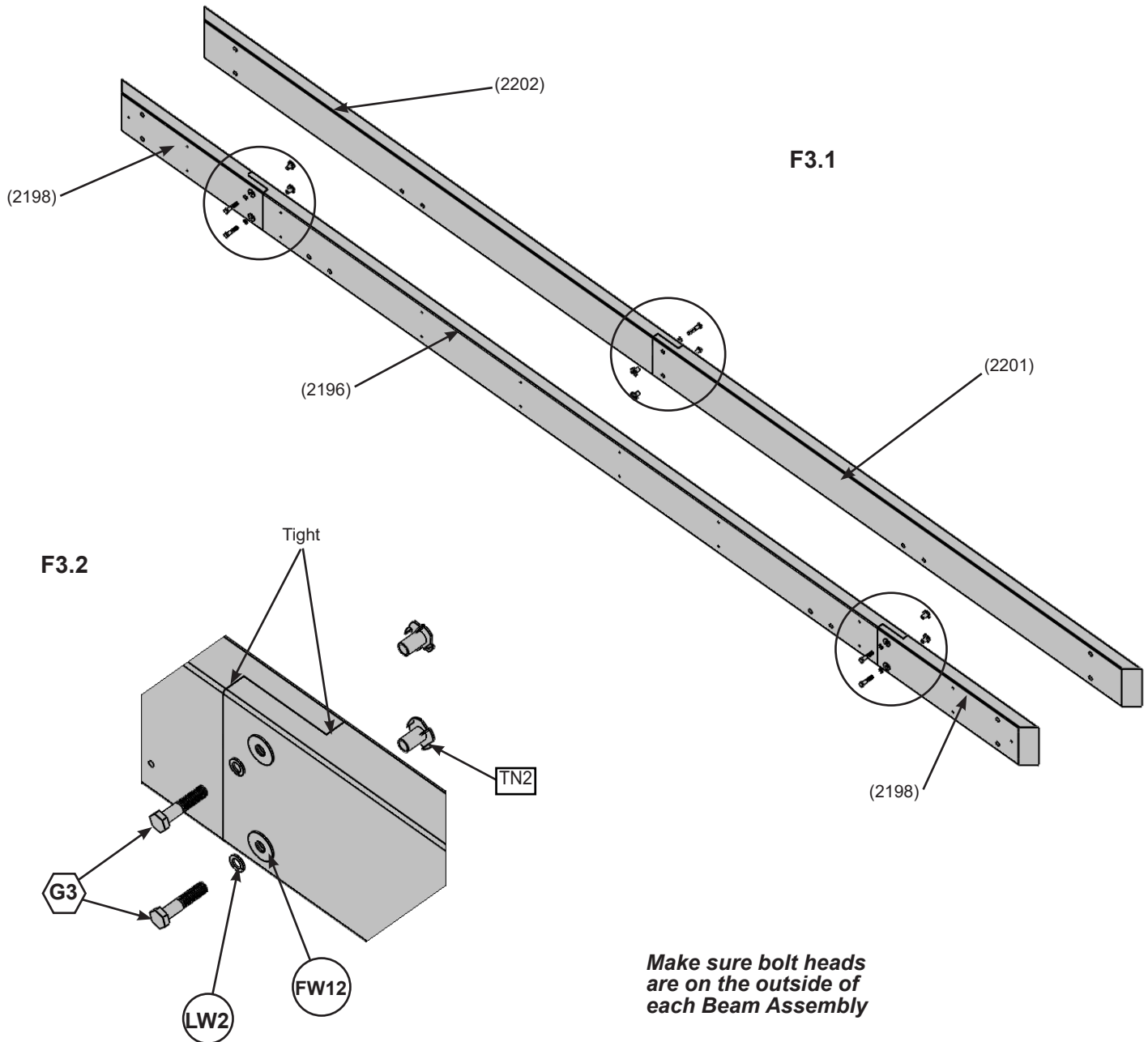
- 8 x Post Mount

### Hardware

- 64 x (S2) #8 x 1-1/2" Wood Screw
- 8 x (TN2) 5/16" T-Nut
- 16 x (S12) #10 x 1-1/4" Pan Screw
- 8 x (G3) 5/16 x 1-1/4" Hex Bolt
- 8 x (LW2) 5/16" lock washer
- 8 x (FW12) 1/4 - 5/16" large washer
- 16 x (S3) #8 x 2-1/2" Wood Screw

# Step 3: Short Beam Assembly Part 1





- A:** Connect one (2201) and one (2202) using two G3 (with LW2, FW12 and TN2) as shown in F3.1 and F3.2.
- B:** Connect one (2198) to each end of one (2196) using two G3 (with LW2, FW12 and TN2) per end as shown in F3.1 and F3.2.
- C:** Repeat Steps A and B to make two Short Beam L-R Assemblies and two Short Beam End Assemblies.



### Wood Parts

- 4 x (2198) Beam End - Short
- 2 x (2196) Beam Center - Short
- 2 x (2201) Beam Left - Short
- 2 x (2202) Beam Right - Short

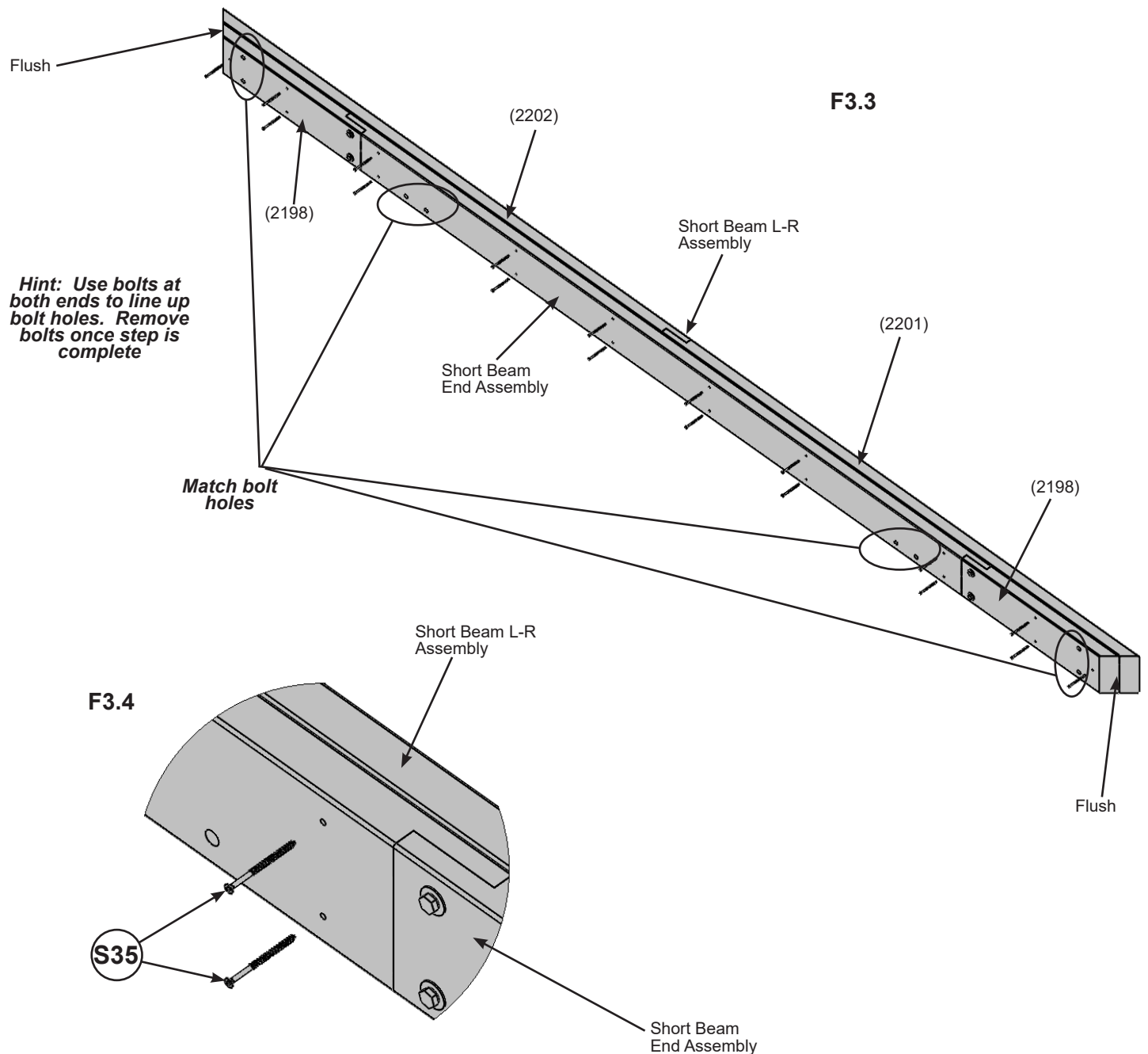
### Hardware

- 12 x  5/16 x 1-1/4" Hex Bolt
- 12 x  1/4-5/16" large washer
- 12 x  5/16" lock washer
- 12 x  5/16" t-nut

# Step 3: Short Beam Assembly Part 2

**D:** Place one Short Beam L-R Assembly tight to one Short Beam End Assembly so the ends are flush. Match the bolt holes in each (2198) with the bolt holes in (2201) and (2202). Attach with 18 S35. (F3.3 and F3.4)

**E:** Repeat Step D to make a second Short Beam Assembly.



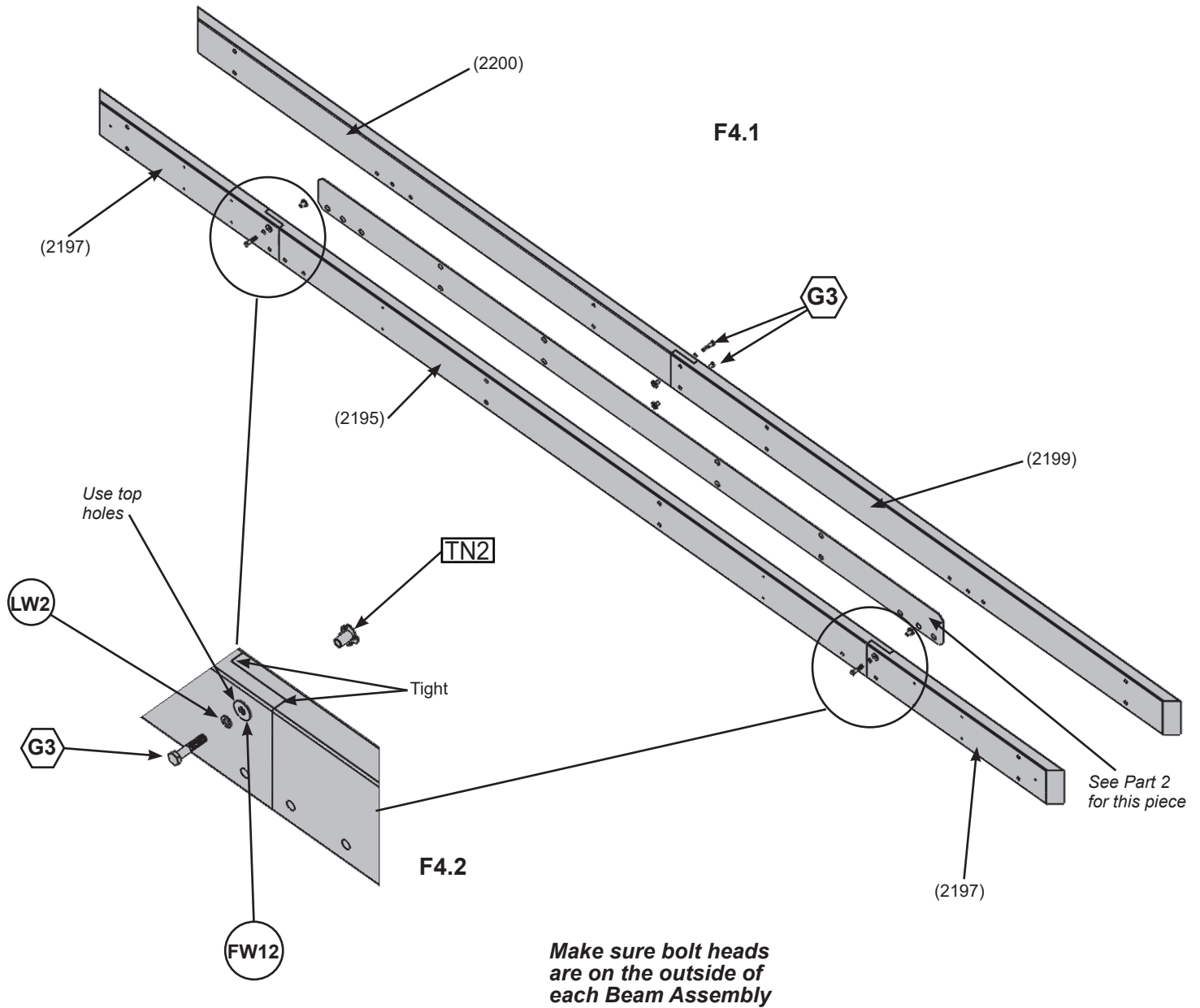
## Hardware

36 x **S35** #8 x 2-1/4" Wood Screw



# Step 4: Long Beam Assembly Part 1

- A:** Connect one (2199) and one (2200) using two G3 (with LW2, FW12 and TN2) as shown in F4.1 and F4.2.
- B:** Connect one (2197) to each end of one (2195) using one G3 (with LW2, FW12 and TN2) in the top holes per end as shown in F4.1 and F4.2.
- C:** Repeat Steps A and B to make a second Long Beam L-R Assembly and a second Long Beam End Assembly.



### Wood Parts

- 4 x (2197) Beam End - Long
- 2 x (2195) Beam Center - Long
- 2 x (2199) Beam Left - Long
- 2 x (2200) Beam Right - Long

### Hardware

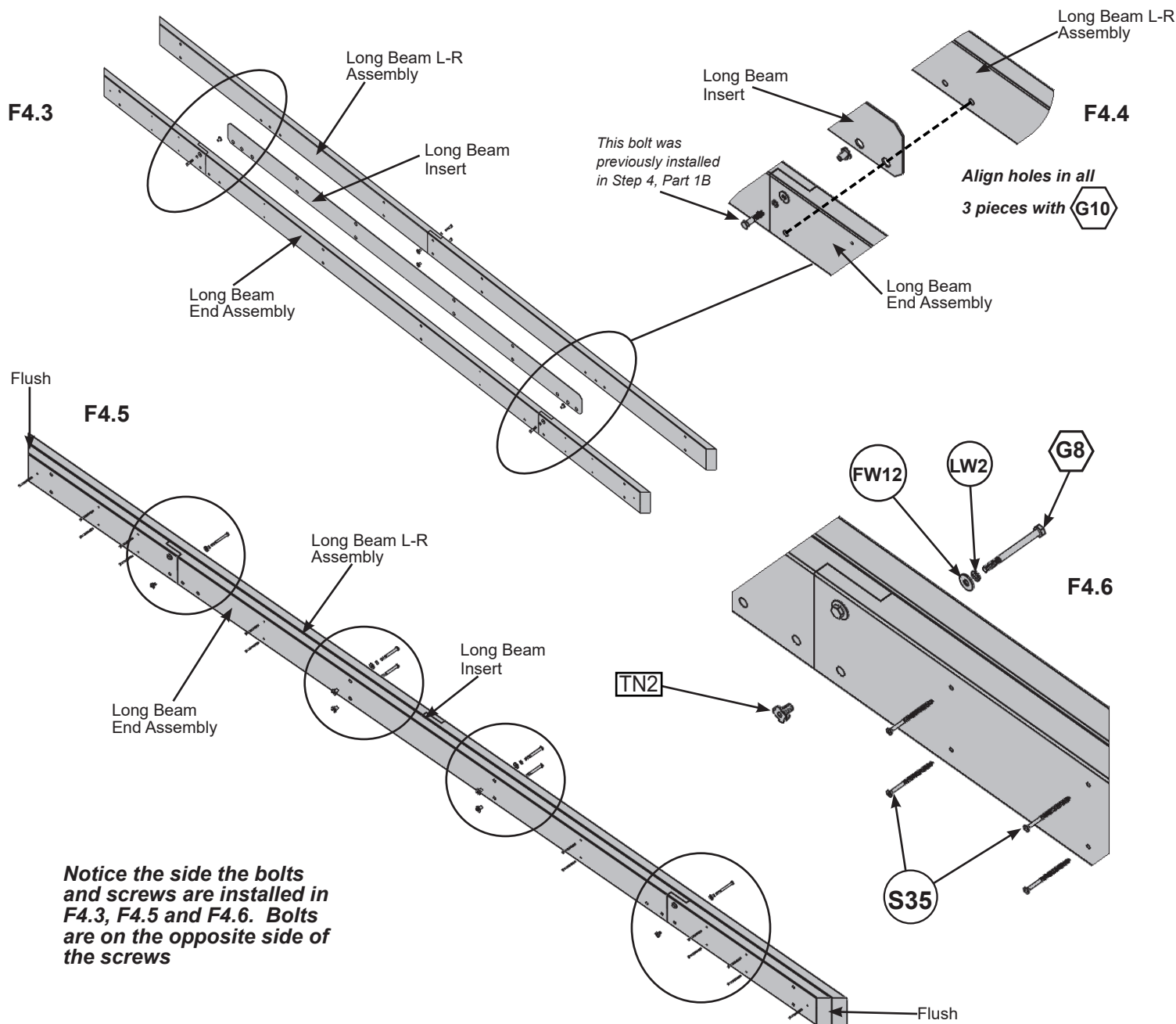
- 8 x **G3** 5/16 x 1-1/4" Hex Bolt
- 8 x **FW12** 1/4-5/16" large washer
- 8 x **LW2** 5/16" lock washer
- 8 x **TN2** 5/16" t-nut

# Step 4: Long Beam Assembly Part 2

**D:** Place one Long Beam Insert in between one Long Beam L-R Assembly and one Long Beam End Assembly then fit tight together so the beam assembly ends are flush. Match the bolt holes and wood screw pilot holes in both beam assemblies and Long Beam Insert. (F4.3, F4.4 and F4.5)

**E:** Attach beam assemblies and Long Beam Insert together with six G8 (with LW2, FW12 and TN2) and 14 x S35. (F4.5 and F4.6)

**F:** Repeat Steps D-E make a second Long Beam Assembly.



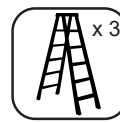
### Components

2 x Long Beam Insert

### Hardware

28 x (S35) #8 x 2-1/4" Wood Screw    12 x (FW12) 1/4-5/16" large washer  
 12 x (G8) 5/16 x 2-1/2" Hex Bolt    12 x (TN2) 5/16" t-nut  
 12 x (LW2) 5/16" lock washer

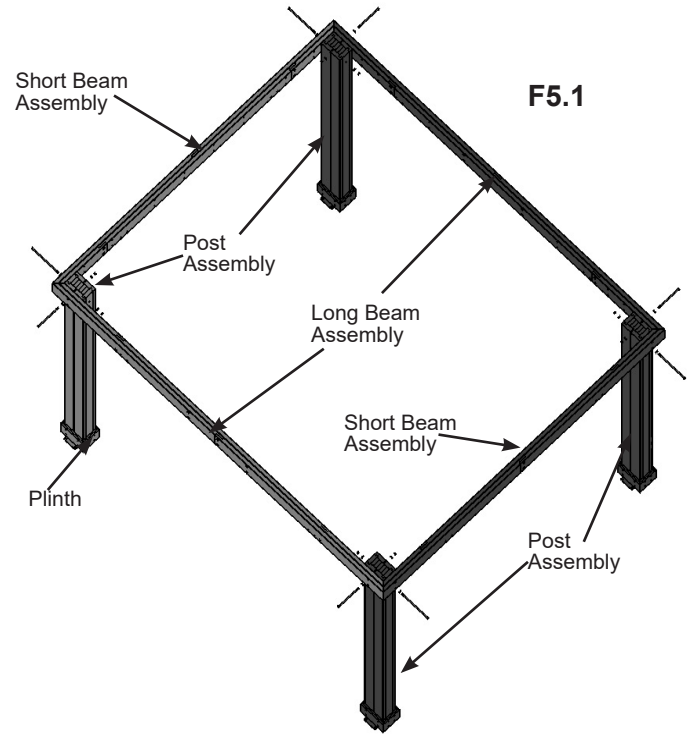
# Step 5: Frame Assembly and Anchoring Part 1



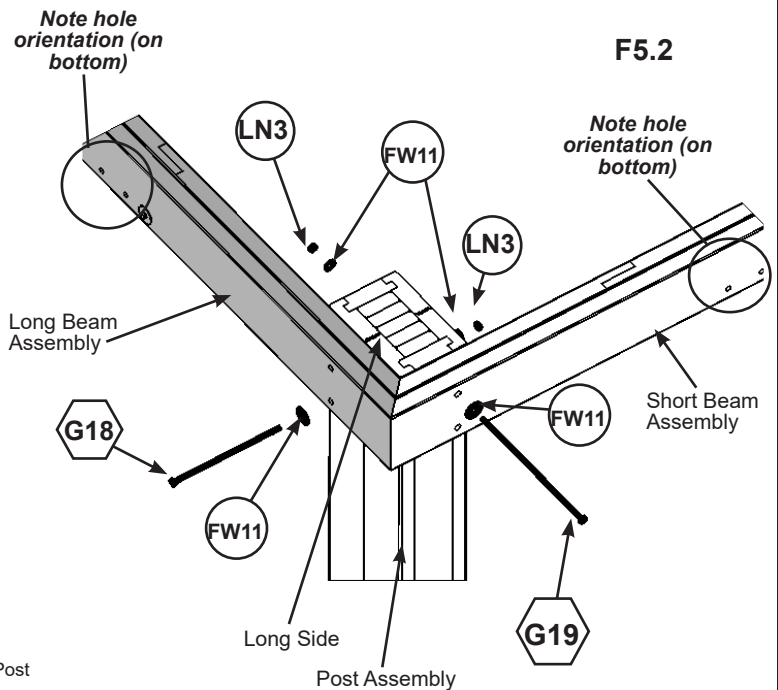
**A:** Move your Post Assemblies to the final location. Make sure the ground is flat and level before continuing assembly.

**B:** With one person at each Post stand two complete Post Assemblies. A third person places one Long Beam Assembly against the outside of two Posts, flush to the tops and outside corners. Notice bolt hole orientation on the Long Beam Assembly and the long side of the Post Assembly is along the Long Beam Assembly. A fourth person attaches Beam to Post with one G18 (with two FW11 and one LN3) per Post. The distance from the outside of one Post to the outside of the second Post should be 12 ft 10-3/8 in (3.92 m). (F5.1, F5.2 and F5.3)

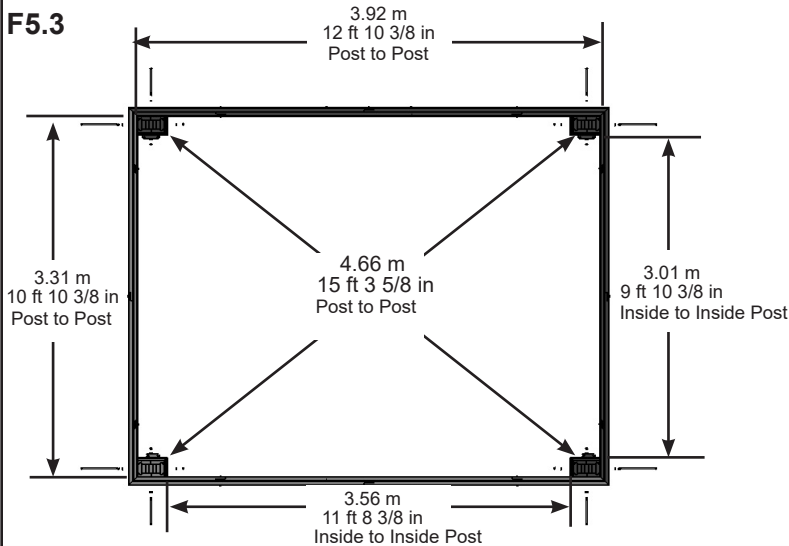
**C:** Place one Short Beam Assembly against the outside of two Posts, flush to the tops and outside corners and tight to Long Beam Assembly. Notice bolt hole orientation on the Short Beam Assembly and the short side of the Post Assembly is along the Short Beam Assembly. Attach Beam to Post with one G19 (with two FW11 and one LN3) per Post. The distance from the outside of one Post to the outside of the second Post should be 10 ft 10-3/8 in (3.31 m). Continue until all four Beam Assemblies are attached and the corners are tight together. (F5.1 and F5.2) See F5.3 for accurate positioning of Posts.



F5.1



F5.2



F5.3

## Hardware

- |                         |                         |
|-------------------------|-------------------------|
| 4 x  3/8 x 10" Hex Bolt | 16 x  3/8" large washer |
| 4 x  3/8 x 9" Hex Bolt  | 8 x  3/8" lock nut      |

# Step 5: Frame Assembly and Anchoring Part 2



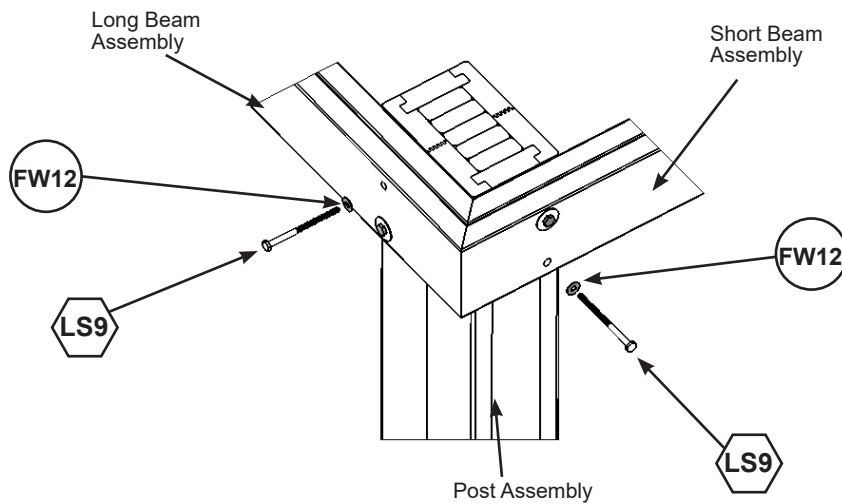
**Note:** Pre-drill all pilot holes using a 1/8" drill bit before installing Lag Screws.

**D:** Make sure each corner is square and level then attach Beam Assemblies to Post Assemblies with two LS9 (with FW12) per corner. (F5.4)

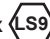
**E:** Depending on what you are placing the Gazebo on will determine how you anchor it to that surface. Please refer to pages 6 and 7 for installation examples.


**Any hardware or extra materials for mounting will have to be purchased in advance.**

## F5.4



### Hardware

8 x  5/16 x 4-3/4" Lag Screw

8 x  1/4-5/16" large washer

# Step 6: Attach Gussets and Roof Brackets



**Note:** Pre-drill all pilot holes using a 1/8" drill bit before installing Lag Screws.

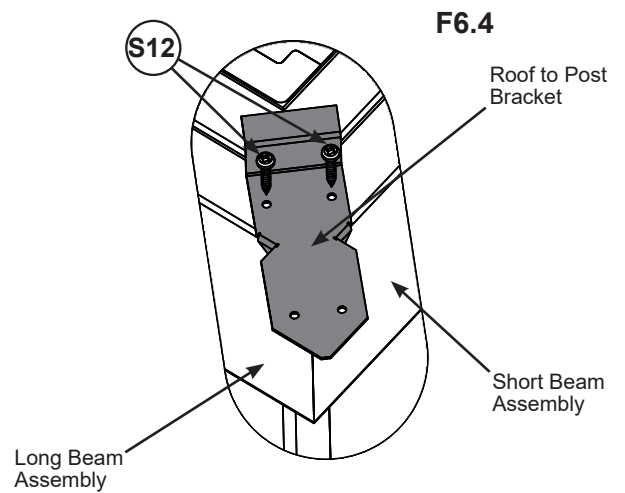
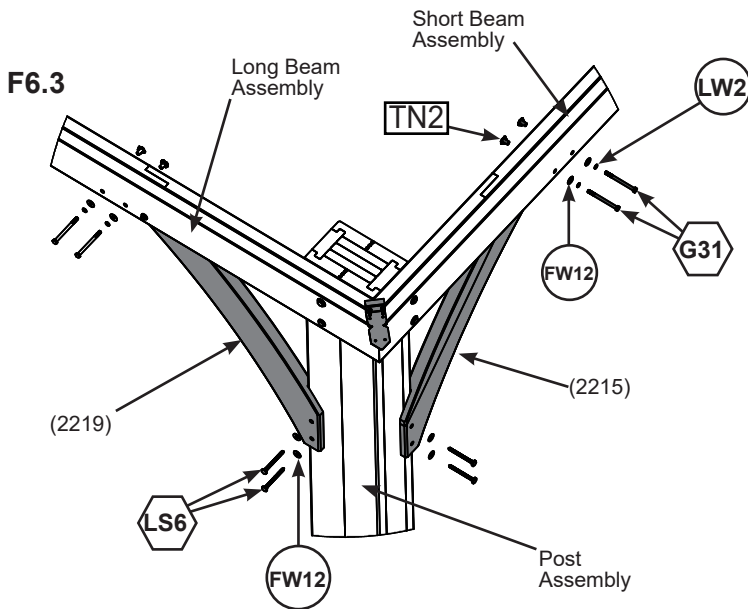
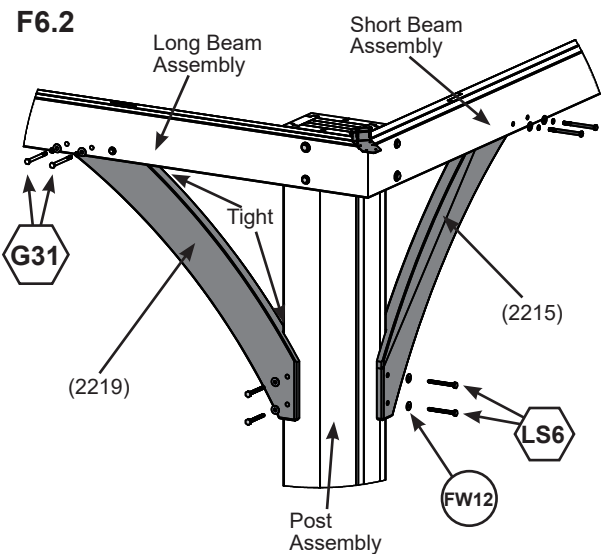
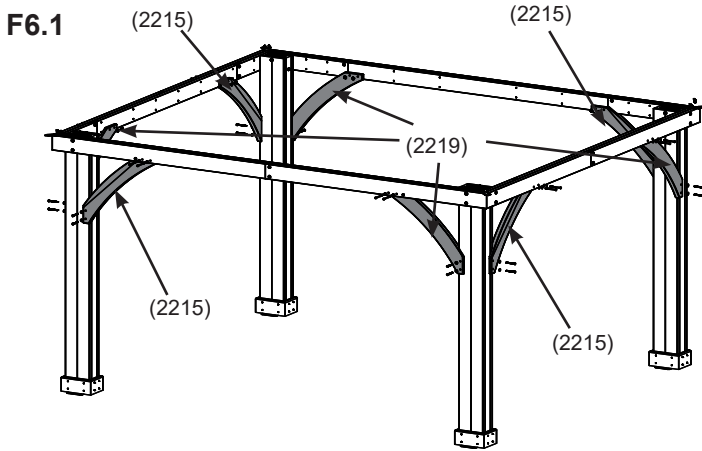
**Note:** The bevelled ends on each gusset should always face away from the wood it is attaching to.

**A:** Make sure the assembly is still square and level then facing one Long or Short Beam Assembly place one (2219) on the right hand side so the top fits tight to the Beam Assembly and the bottom fits tight to the Post Assembly. Attach (2219) to Beam Assembly with two G31 (with LW2, FW12 and TN2). Attach (2219) to Post Assembly with two LS6 (with FW12). (F6.1, F6.2 and F6.3)

**B:** Repeat Step A on the left hand side with one (2215). (F6.1, F6.2 and F6.3)

**C:** Repeat Steps A and B for each Beam Assembly/Post Assembly. (F6.1, F6.2 and F6.3)

**D:** At each corner, tight to the outside edges of the joining Beam Assemblies attach one Roof to Post Bracket with two S12. (F6.3 and F6.4)



### Wood Parts

- 4 x (2219) Gusset Right
- 4 x (2215) Gusset Left

### Components

- 4 x Roof to Post Bracket

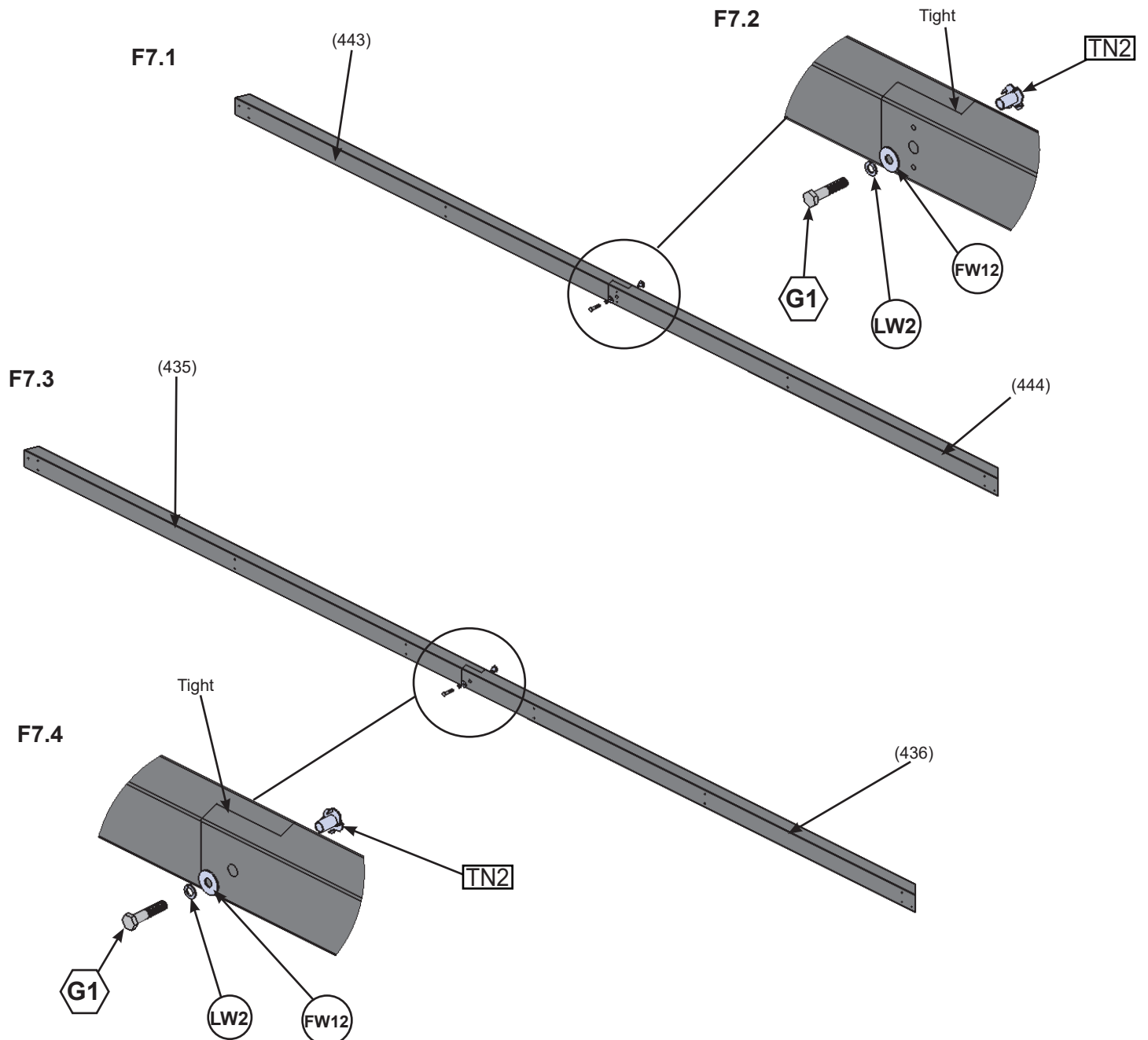
### Hardware

- 16 x LS6 5/16" x 3" Lag Screw
- 16 x G31 5/16" x 3-1/4" Hex Bolt
- 32 x FW12 1/4-5/16" large washer
- 16 x LW2 5/16" Lock Washer
- 16 x TN2 5/16" t-nut
- 8 x S12 #10 x 1-1/4" Pan Screw

# Step 7: Fascia Beam Assemblies

**A:** Tightly connect one (443) and one (444) using one G1 (with LW2, FW12 and TN2) as shown in F7.1 and F7.2. Repeat to make a second Fascia Beam Assembly.

**B:** Tightly connect one (435) and one (436) using one G1 (with LW2, FW12 and TN2) as shown in F7.3 and F7.4. Repeat to make a second Large Fascia Beam Assembly.



## Wood Parts

- 2 x (443) Fascia Left
- 2 x (444) Fascia Right
- 2 x (436) Fascia Right - Large Roof
- 2 x (435) Fascia Left - Large Roof

## Hardware

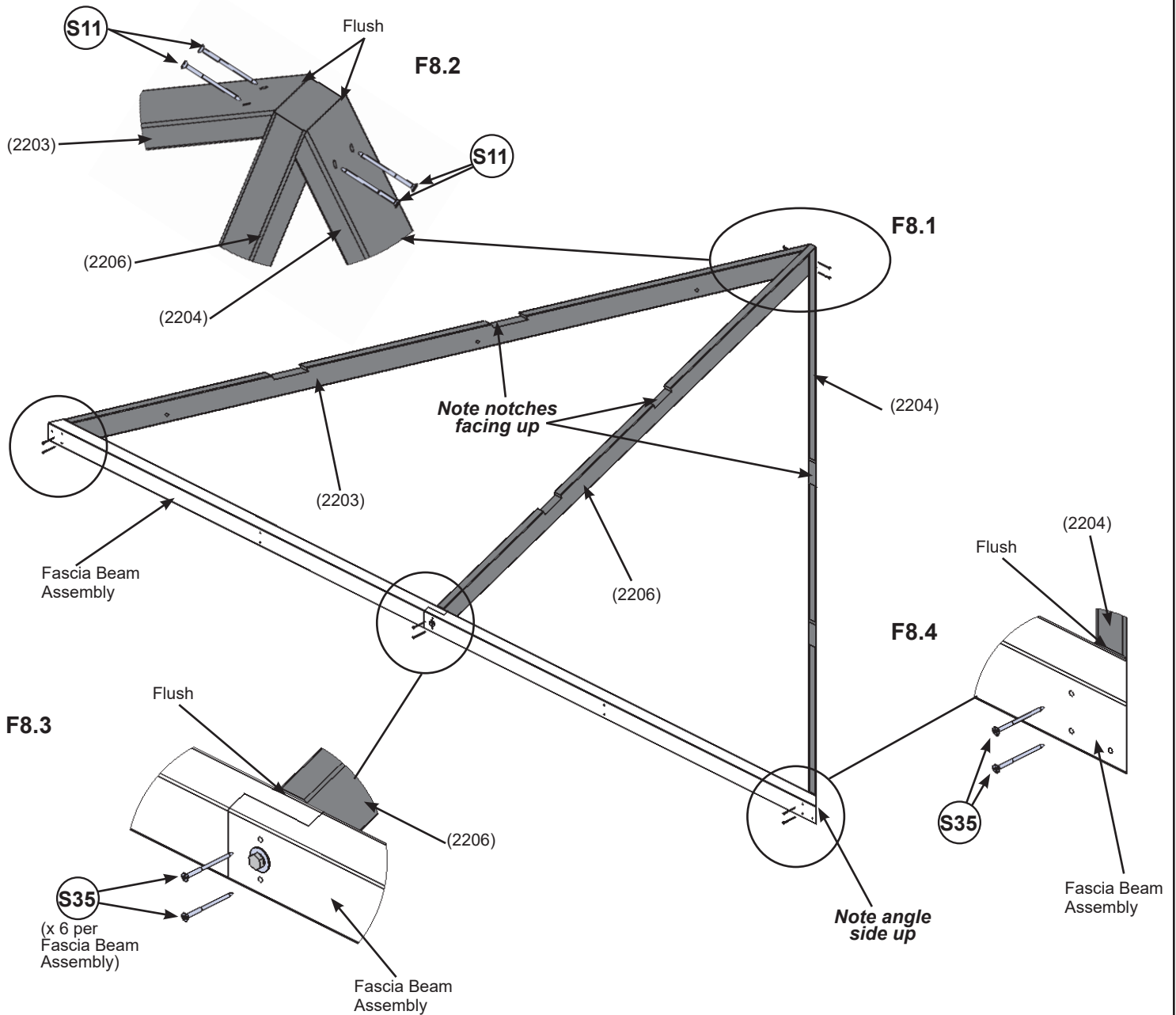
- 4 x G1 5/16 x 1-1/2" Hex Bolt
- 4 x TN2 5/16" t-nut
- 4 x LW2 5/16" lock washer
- 4 x FW12 1/4-5/16" large washer

# Step 8: Small Roof Rafter Assembly Part 1

**A:** On each side of one (2206) place one (2203) and one (2204) so the tops and edges are flush and notches are facing up, then attach with two S11 per side. (F8.1 and F8.2)

**B:** Place Fascia Beam Assembly from Step 7A on the bottom of (2203), (2204) and (2206) so the sides are flush then attach with two S35 at each end and two in the middle. (F8.1, F8.3 and F8.4)

**C:** Repeat Steps A and B to make a second Small Roof Rafter Assembly.



### Wood Parts

- 2 x (2206) Rafter
- 2 x (2203) Corner Rafter - Left
- 2 x (2204) Corner Rafter - Right

### Hardware

- 12 x (S35) #8 x 2-1/4" Wood Screw
- 8 x (S11) #8 x 2" Wood Screw



# Step 8: Small Roof Rafter Assembly Part 2

**D:** Place one (2209) in the notches of (2203), (2204) and (2206) so the ends do not overhang the outside edges of the outside boards then attach with six S2. (F8.5)

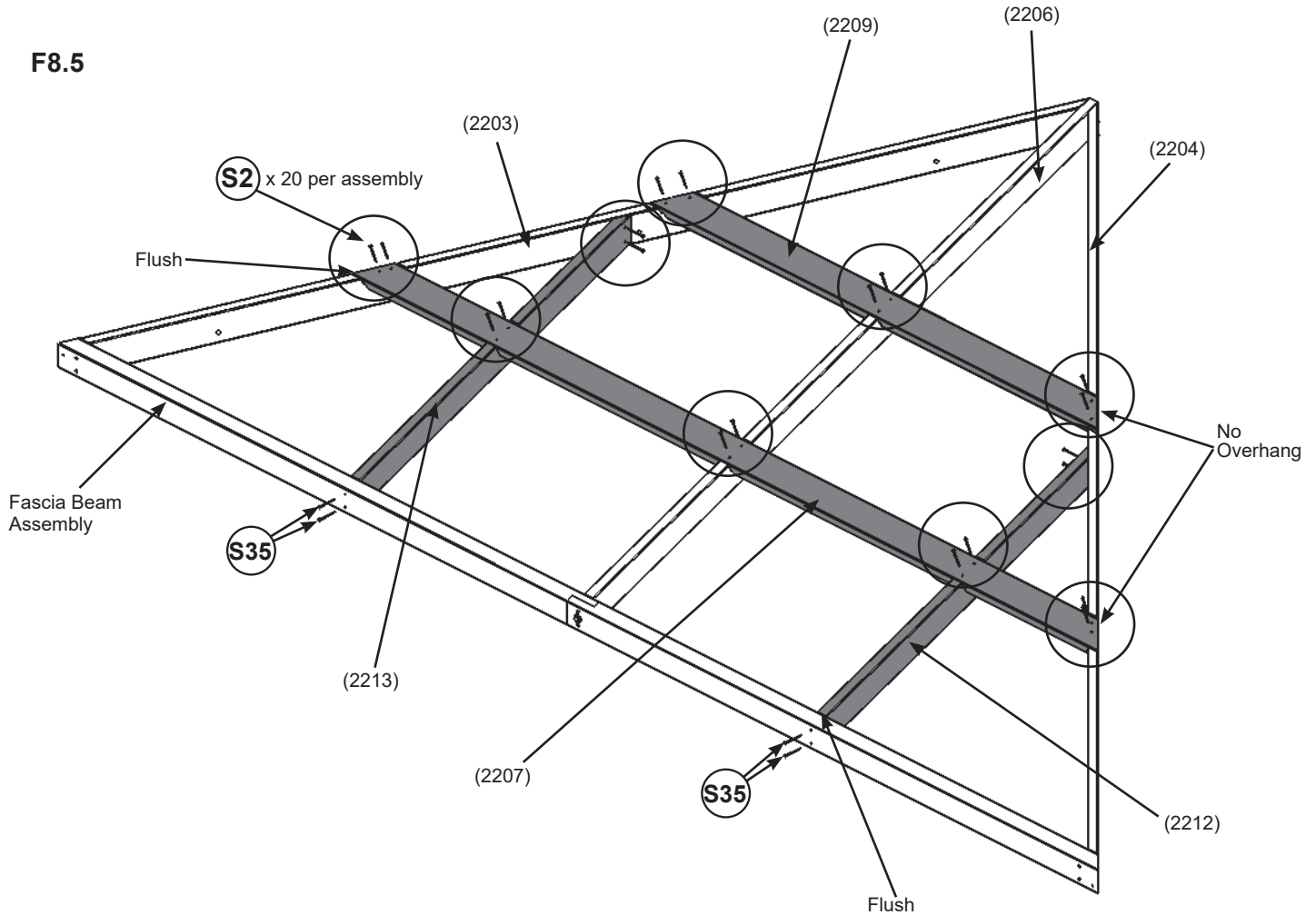
**E:** Place one (2207) in the notches of (2203), (2204) and (2206) so the ends do not overhang the outside edges of the outside boards. Do not attach yet. (F8.5)

**F:** Place one (2212) and one (2213) in the notches of (2207) and attach as shown in F8.5 with four S2 and two S35 per board.

**G:** Attach (2207) to (2203), (2204) and (2206) with six S2. (F8.5)

**H:** Complete Steps D, E, F and G for both Small Roof Rafter Assemblies.

**F8.5**



**Wood Parts**

- 2 x (2209) Strap - Short
- 2 x (2207) Strap
- 2 x (2212) Rafter Short - Right
- 2 x (2213) Rafter Short - Left

**Hardware**

- 40 x (S2) #8 x 1-1/2" Wood Screw
- 8 x (S35) #8 x 2-1/4" Wood Screw

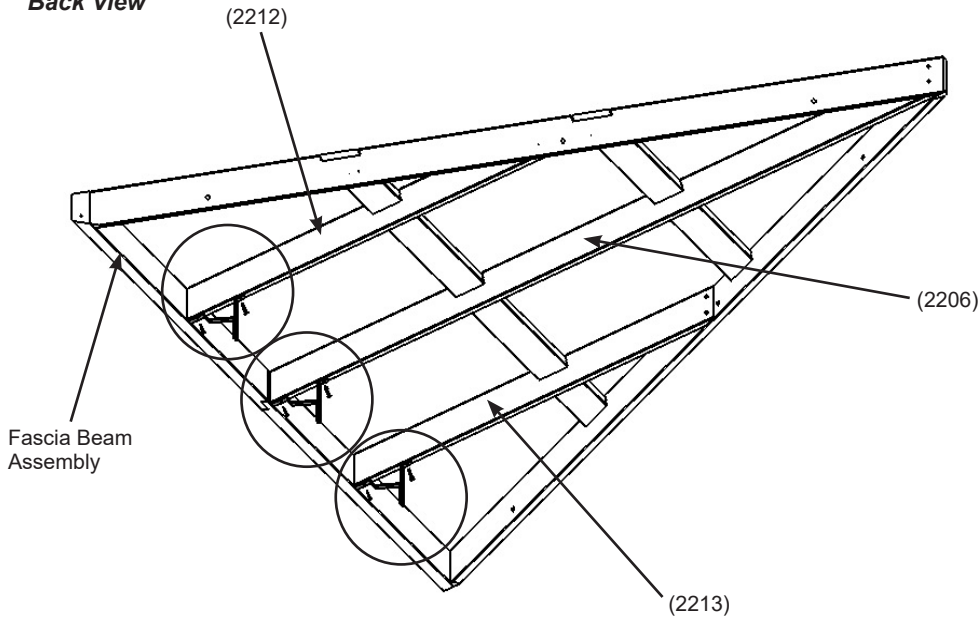


# Step 9: Attach Roof to Beam Brackets Small Roof Rafter Assembly

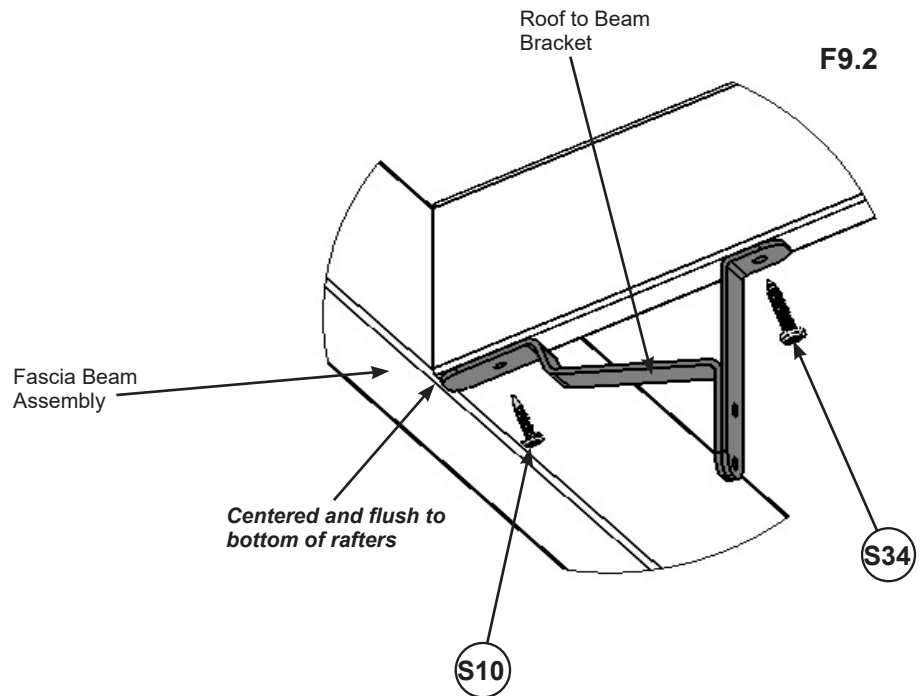
**A:** On the back of one Small Roof Rafter Assembly, centered and flush to the bottom of (2212), (2213) and (2206) attach one Roof to Beam Bracket per board with one S34 in the top hole and one S10 in the bottom hole per bracket. Make sure to only install on one Small Roof Rafter Assembly, the second will not have brackets. (F9.1 and F9.2)

**F9.1**

*Back View*



**F9.2**



**Components**

3 x Roof to Beam Bracket

**Hardware**

3 x **S10** #8 x 1" Pan Screw

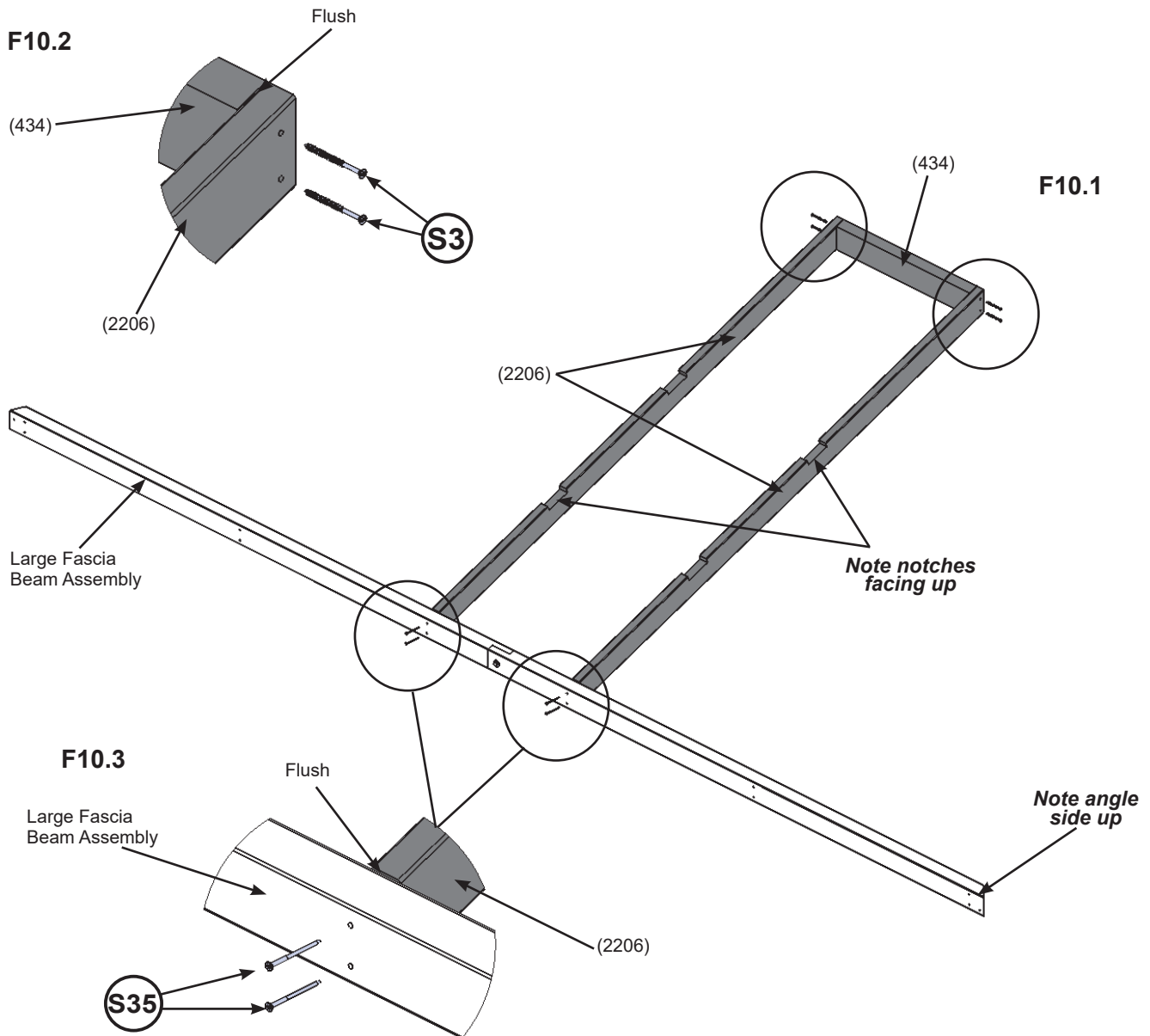
3 x **S34** #12 x 1-1/4" Pan Screw

# Step 10: Large Roof Rafter Assembly Part 1

**A:** On each side of one (434) place one (2206) so the tops and edges are flush and notches are facing up, then attach with two S3 per side. (F10.1 and F10.2)

**B:** Place Large Fascia Beam Assembly from Step 7B on the bottom of the (2206)s so the sides are flush and holes are centered on the (2206) then attach with two S35 per (2206). (F10.1 and F10.3)

**C:** Repeat Steps A and B to make a second Large Roof Rafter Assembly.



## Wood Parts

4 x (2206) Rafter  
2 x (434) Top

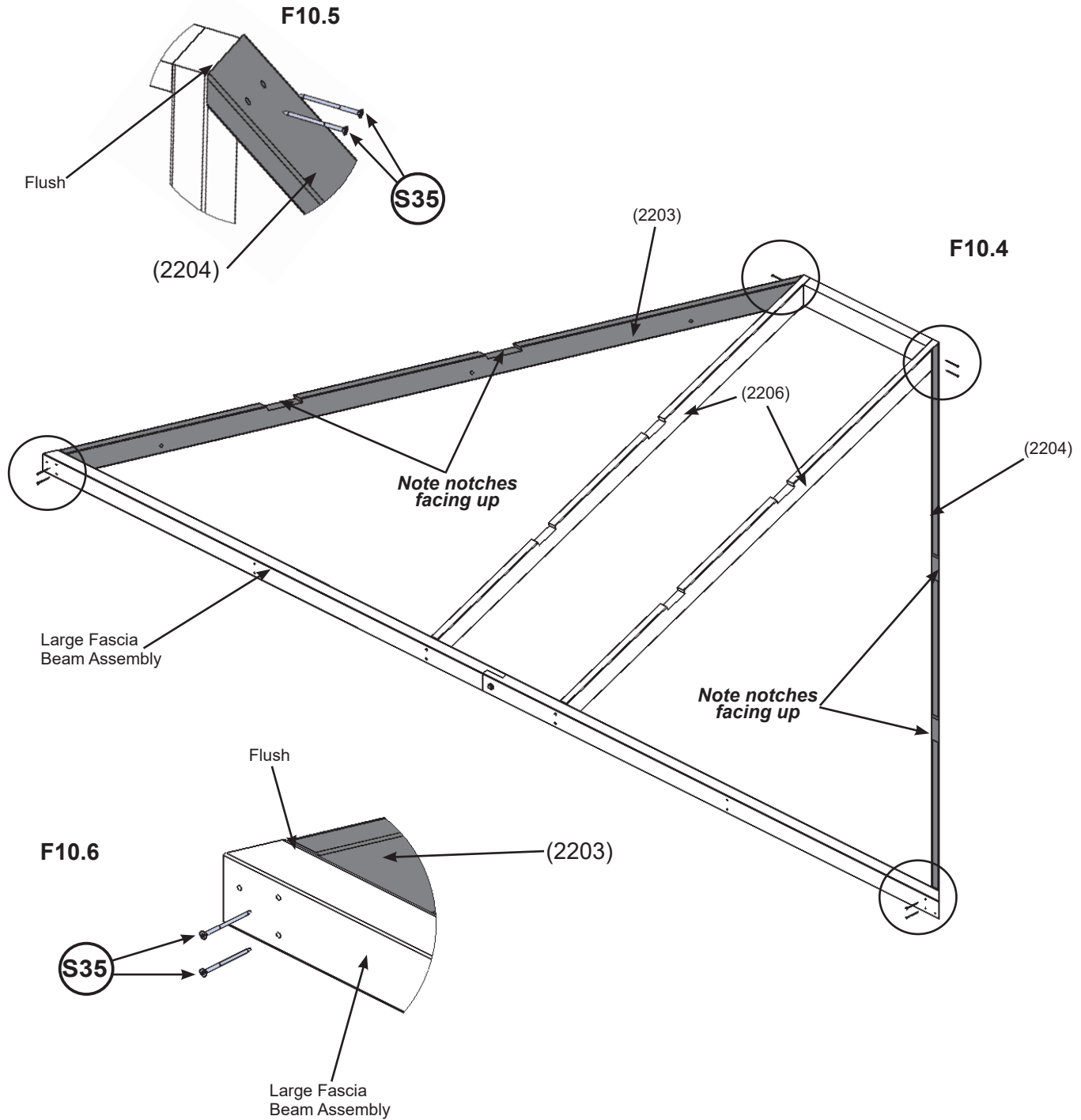
## Hardware

8 x S35 #8 x 2-1/4" Wood Screw  
8 x S3 #8 x 2-1/2" Wood Screw

# Step 10: Large Roof Rafter Assembly Part 2

**D:** Beside each (2206) place one (2203) and one (2204) so the tops and edges are flush, notches are facing up, and the bottom edges are flush to Large Fascia Beam Assembly. Attach with two S35 at the top and bottom of the rafters per side. (F10.4, F10.5 and F10.6)

**E:** Repeat Step D for the second Large Roof Rafter Assembly.



### Wood Parts

- 2 x (2203) Corner Rafter - Left
- 2 x (2204) Corner Rafter - Right

### Hardware

- 16 x S35 #8 x 2-1/4" Wood Screw

# Step 10: Large Roof Rafter Assembly Part 3

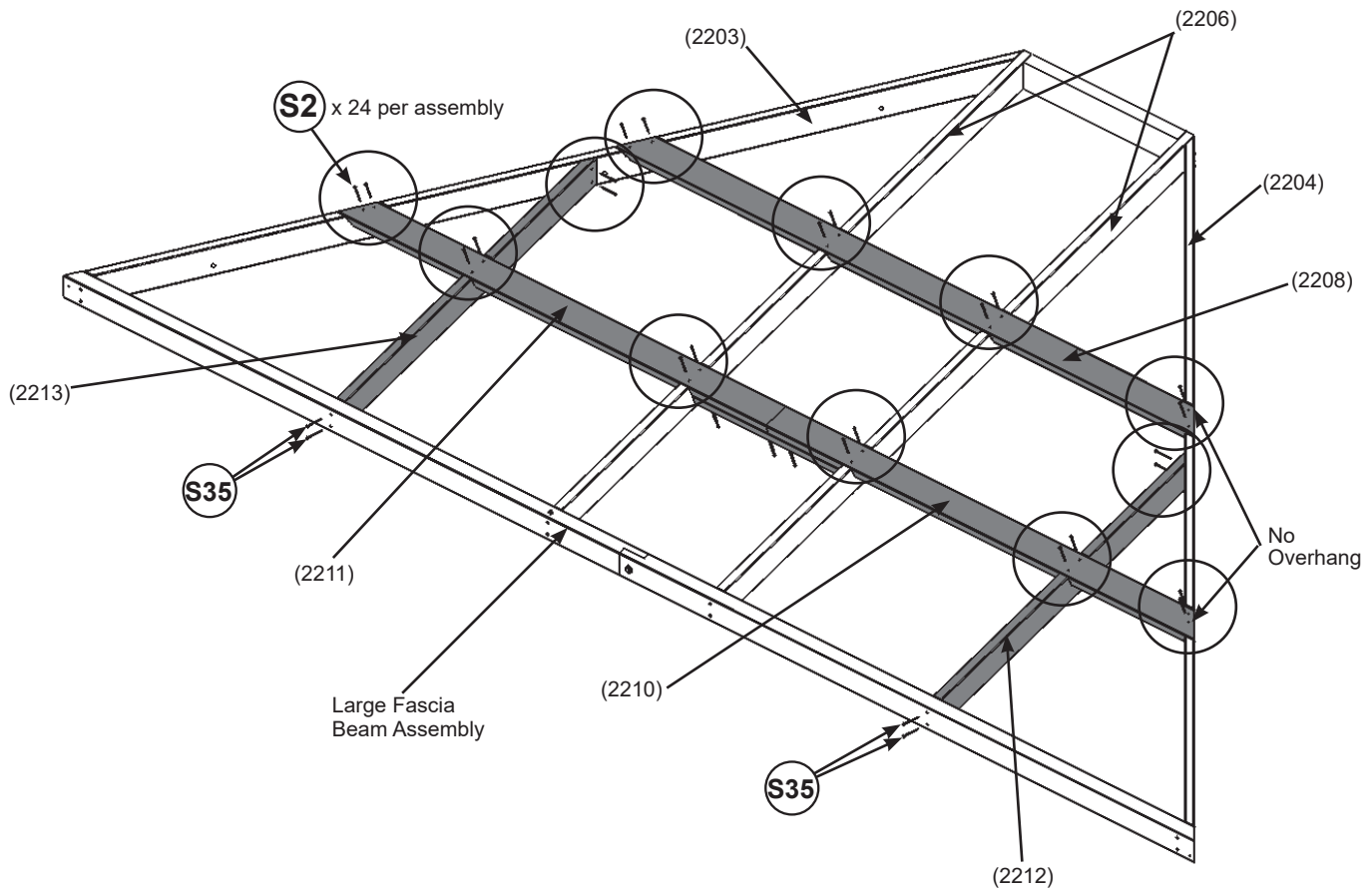
**F:** Place one (2208) in the notches of (2203), (2204) and (2206)'s so the ends do not overhang the outside edges of the outside boards then attach with eight S2. (F10.7)

**G:** Place one (2211) in the notches of (2203) and one (2206) and one (2210) in the notches of (2204) and the other (2206) so the ends do not overhang the outside edges of the outside boards. Boards are tight in the center. Do not attach yet. (F10.7)

**H:** Place one (2212) in the notches of (2210) and one (2213) in the notches of (2211) and attach to (2203) and (2204) with two S35 per board and to Large Fascia Beam Assembly with two S2 per board. (F10.7)

**I:** Attach (2211) and (2210) to (2203), (2204), (2206), (2212) and (2213) with six S2 per board. (F10.7)

## F10.7



### Wood Parts

- 2 x (2208) Strap Short - Large Roof
- 2 x (2211) Strap Left - Large Roof
- 2 x (2210) Strap Right - Large Roof
- 2 x (2212) Rafter Short - Right
- 2 x (2213) Rafter Short - Left

### Hardware

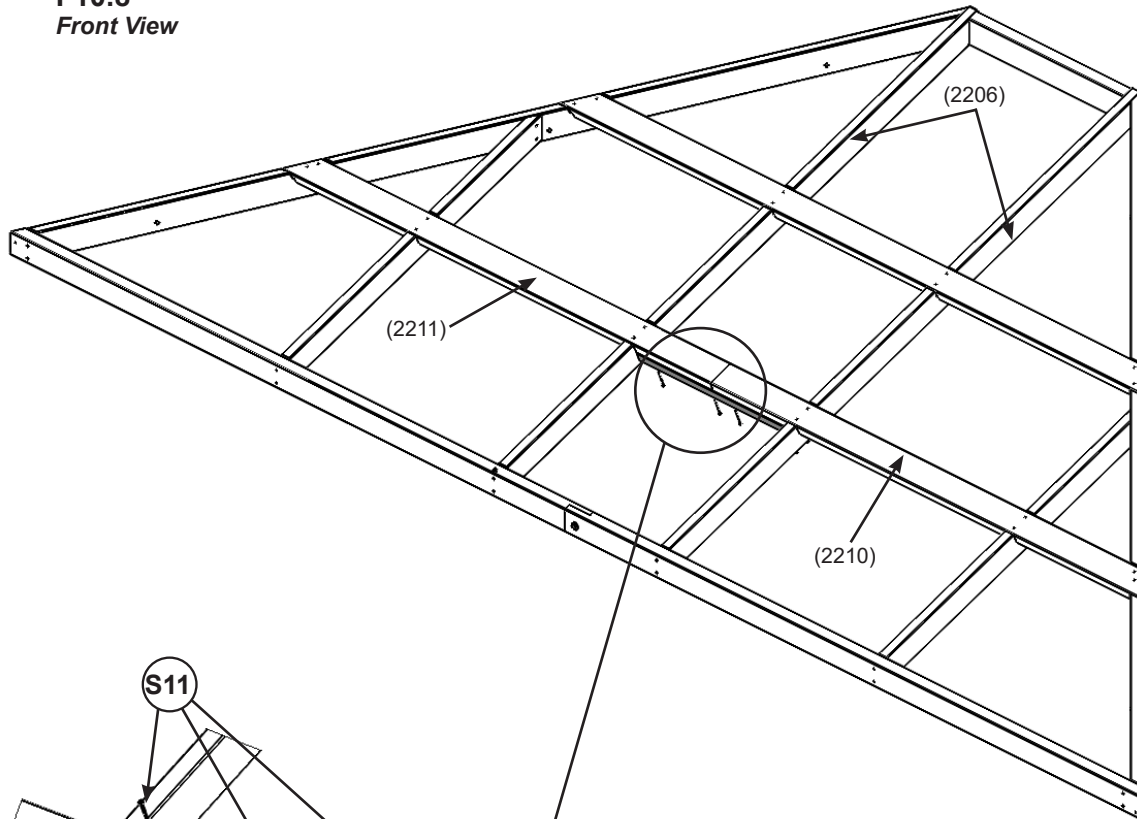
- 48 x (S2) #8 x 1-1/2" Wood Screw
- 8 x (S35) #8 x 2-1/4" Wood Screw

# Step 10: Large Roof Rafter Assembly Part 4

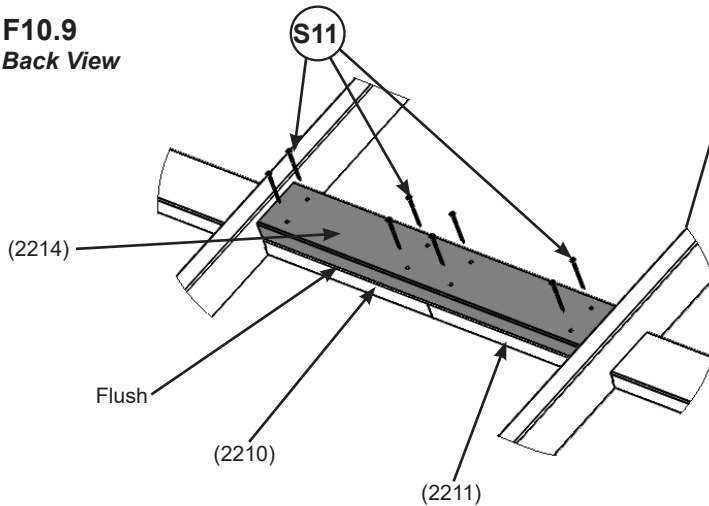
**J:** Turn Large Roof Rafter Assembly over then attach one (2214) to (2211) and (2210) with eight S11. Edges should be flush. (F10.8 and F10.9)

**K:** Complete Steps F - J for both Large Roof Rafter Assemblies.

**F10.8**  
*Front View*




**F10.9**  
*Back View*



## Wood Parts

2 x (2214) Strap Brace

## Hardware

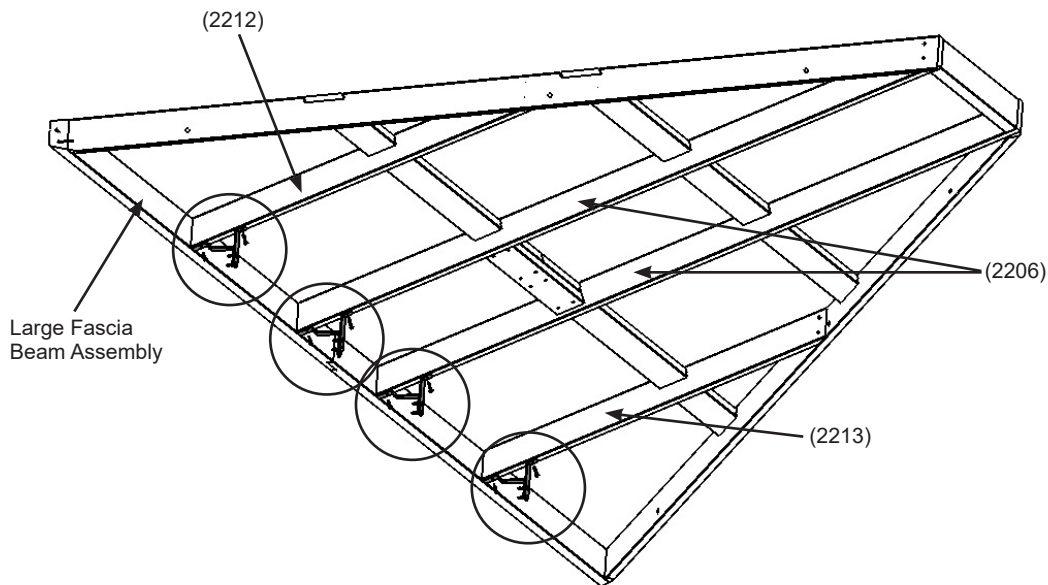
16 x  #8 x 2" Wood Screw

# Step 11: Attach Roof to Beam Brackets

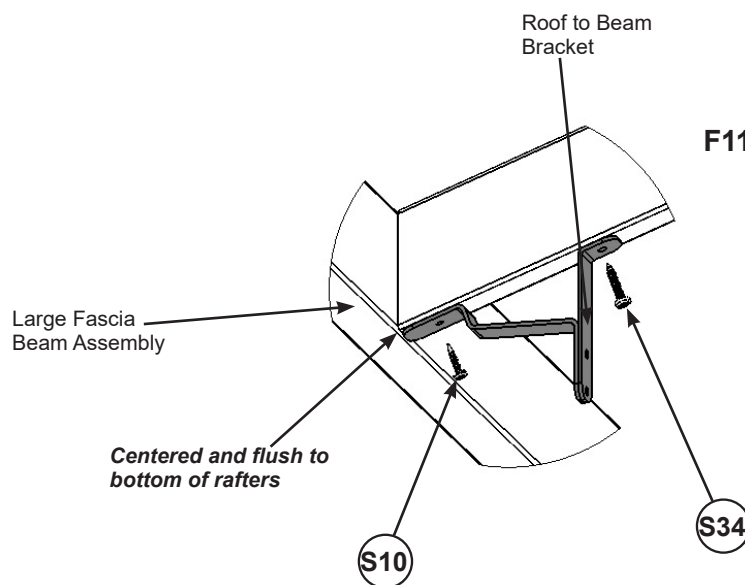
## Large Roof Rafter Assemblies

**A:** On the back of both Large Roof Rafter Assemblies, centered and flush to the bottom of (2212), (2213) and both (2206)'s attach one Roof to Beam Bracket per board with one S10 in the bottom hole and one S34 in the top hole per bracket. (F11.1 and F11.2)

**F11.1**  
*Back View*

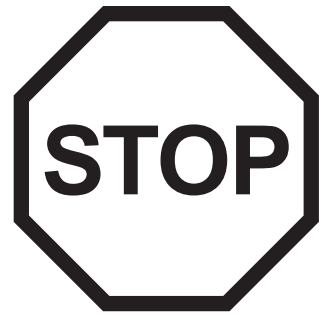
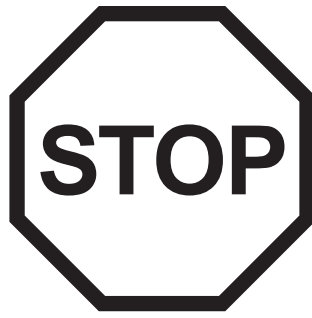
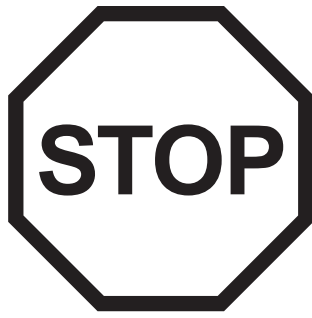
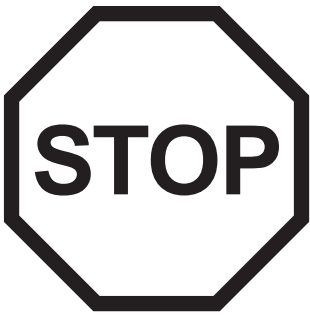


**F11.2**



**Components**  
8 x Roof to Beam Bracket

**Hardware**  
8 x S10 #8 x 1" Pan Screw  
8 x S34 #12 x 1-1/4" Pan Screw



# INSTALLING ROOFING MATERIAL

---

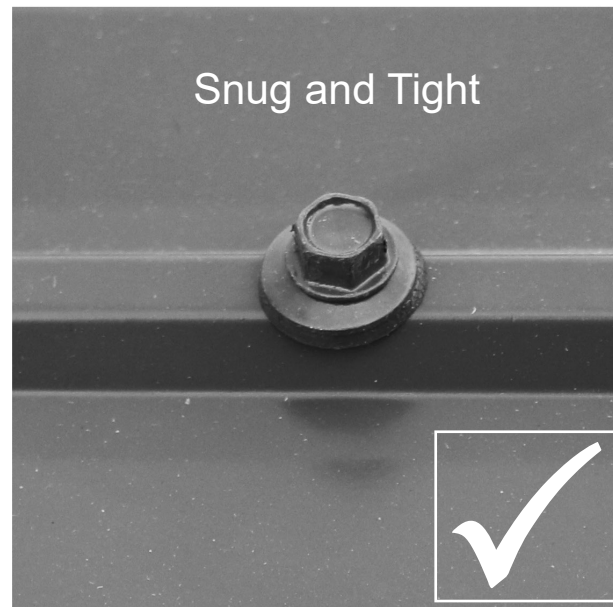
## CAUTION!

Roofing material may have sharp edges! Wear gloves!

## HANDLE WITH CARE!

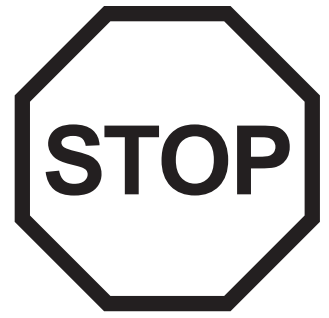
Place roofing material on a non-abrasive surface before assembly as it can bend, dent and scratch easily.

**WARNING – DO NOT OVER TIGHTEN ROOFING SCREWS!  
Over tightening screws will cause roofing material to crush.**



The roofing screws can easily crush the Roof Panels and Roof Edges when using a power drill. We recommend hand tightening the roofing screws so that they sit snug and tight to the roofing material.





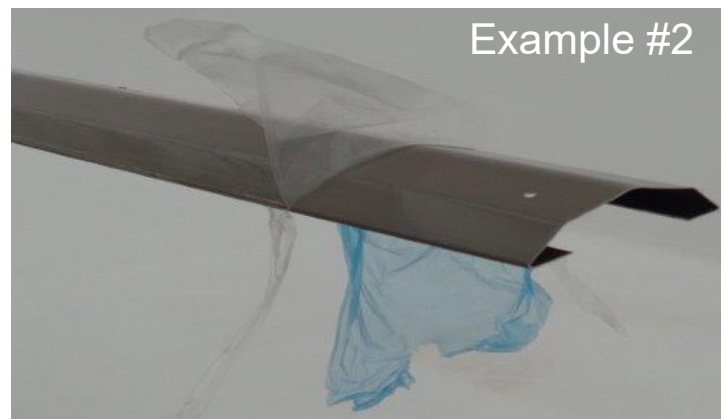
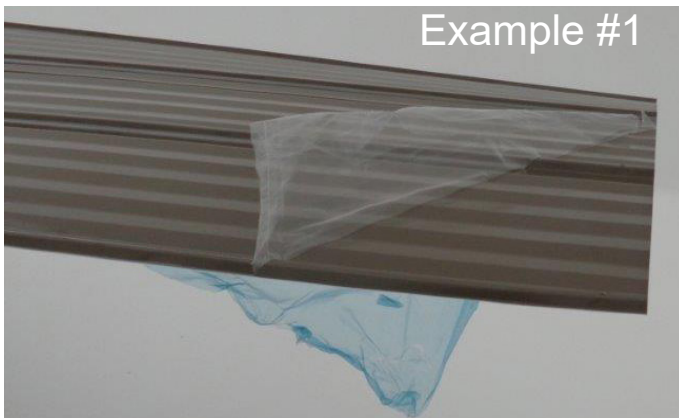
# INSTALLING ROOFING MATERIAL

---

## CAUTION!

Roofing material may have sharp edges! Wear gloves!

**BE SURE TO REMOVE ALL PLASTIC COVERING, ON BOTH SIDES OF THE ALUMINUM PANELS AND TRIM, DIRECTLY BEFORE INSTALLING EACH PIECE. *(One side is clear and the other is blue, both must be removed.)***





# Step 12: Attach Roof Panels - Small Roof Part 1

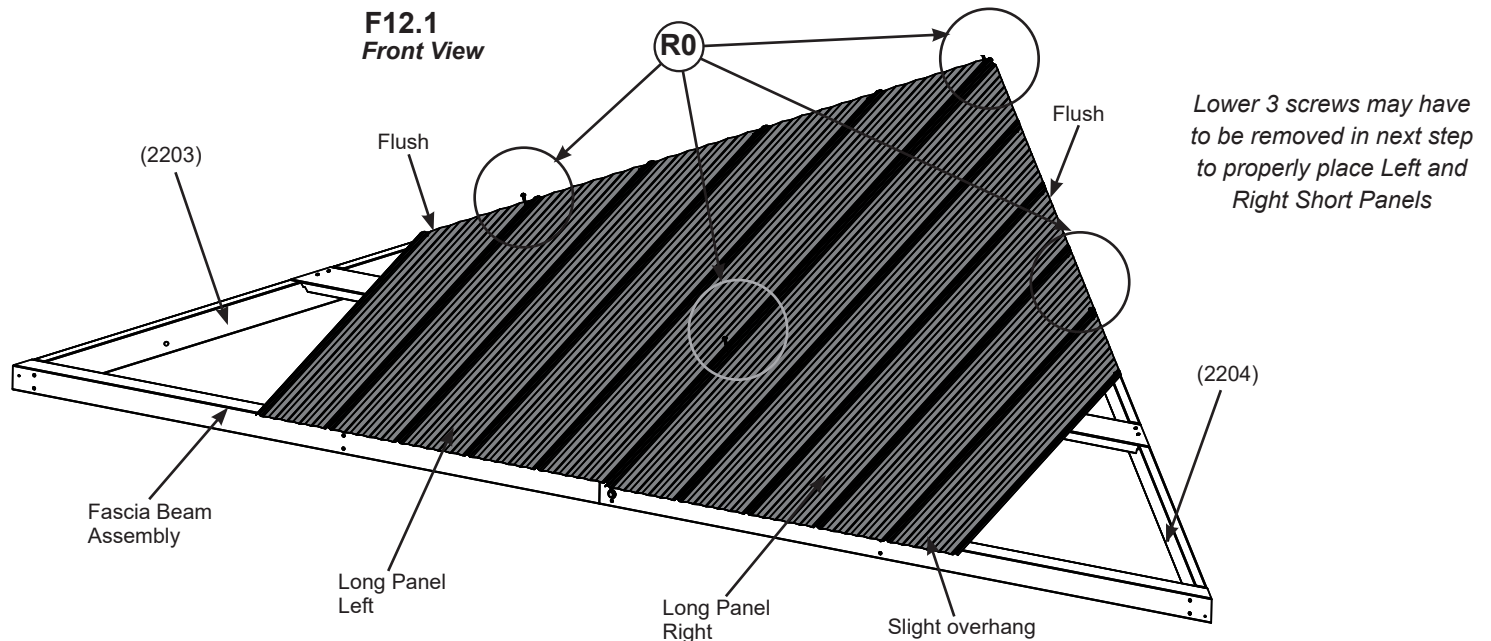
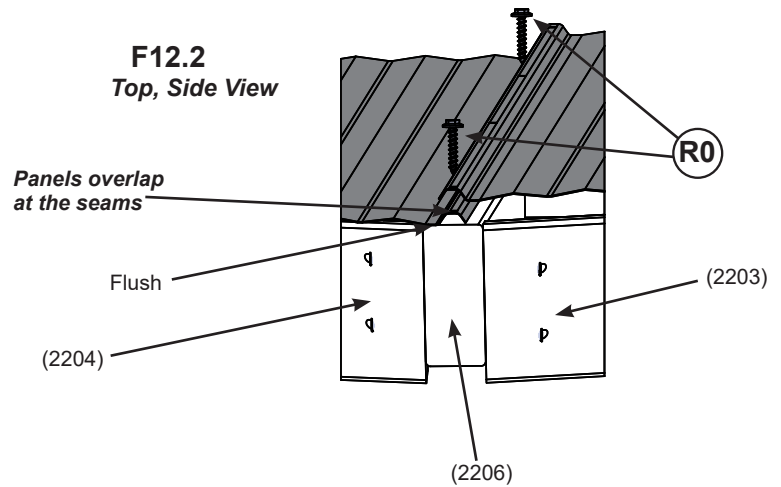
**A:** Place one Long Panel Left on the front of one Small Roof Rafter Assembly so it is flush to the side of (2203) and has a slight overhang at the bottom of the Fascia Beam Assembly. Holes should line up with (2206). (F12.1 and F12.2)

**B:** Place one Long Panel Right on Small Roof Rafter Assembly so it overlaps the Long Panel Left and is flush to the side of (2204) and has a slight overhang at the bottom of the Fascia Beam Assembly. (F12.1 and F12.2)

**C:** Attach both Left and Right Long Panels to Small Roof Rafter Assembly with four R0 in locations shown in F12.1. Be sure not to overtighten screws.

**D:** Repeat Steps A - C for both Small Roof Rafter Assemblies.

**DO NOT overtighten screws, could cause damage to roofing material**



## Roof Parts

2 x Long Panel Left  
2 x Long Panel Right

## Hardware

8 x R0 #8 x 1" Roofing Screw

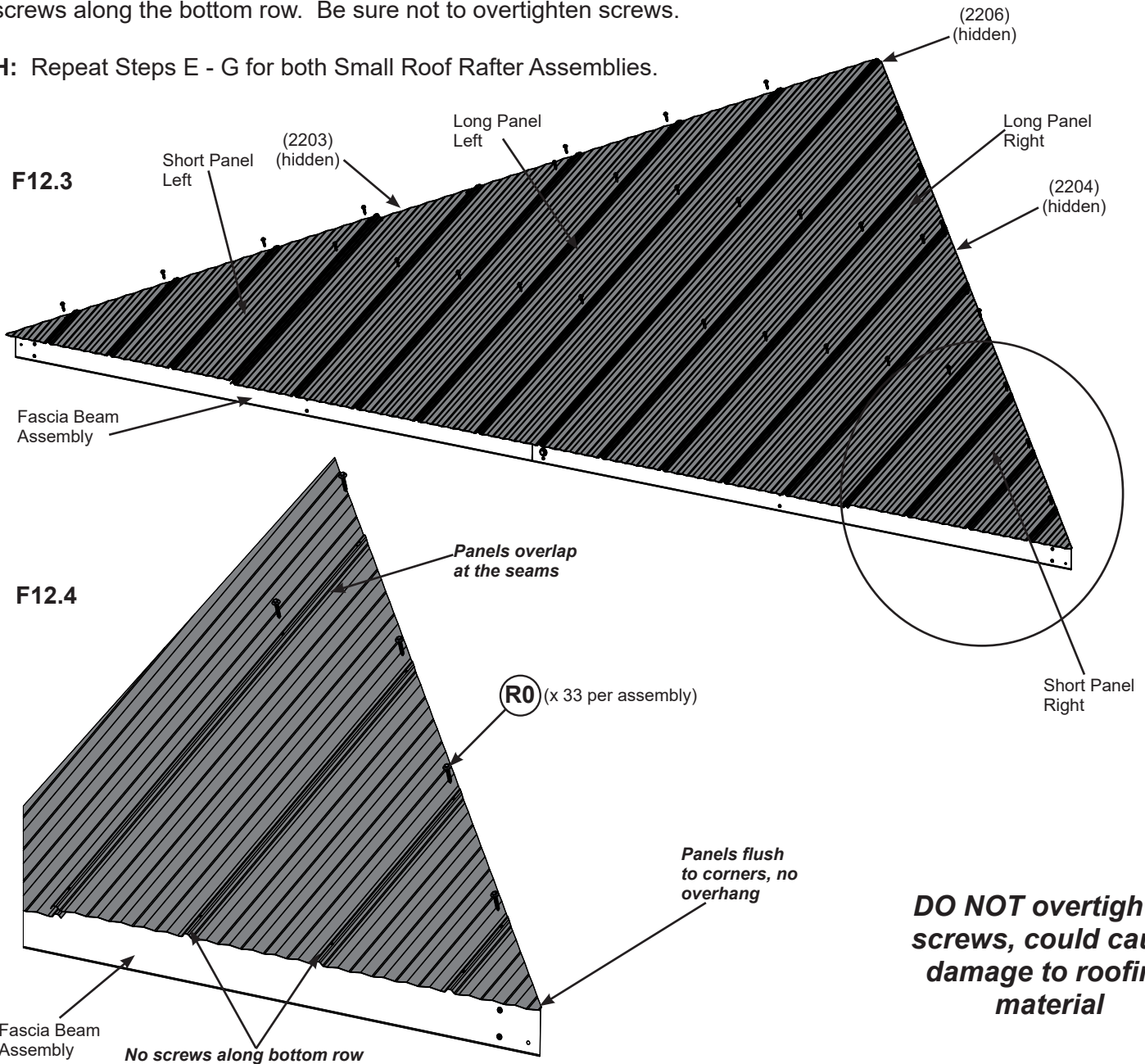
# Step 12: Attach Roof Panels - Small Roof Part 2

**E:** Place one Short Panel Left on Small Roof Rafter Assembly so it overlaps the Long Panel Left and it is flush to the sides of (2203) and has a slight overhang at the bottom of the Fascia Beam Assembly. There should be no overhang at the corners. (F12.3 and F12.4)

**F:** Place one Short Panel Right on Small Roof Rafter Assembly so it overlaps the Long Panel Right and it is flush to the side of (2204) and has a slight overhang at the bottom of the Fascia Beam Assembly. There should be no overhang at the corners. (F12.3 and F12.4)

**G:** Attach all panels to Small Roof Rafter Assembly with 33 R0 in locations shown in F12.3. Do not place any screws along the bottom row. Be sure not to overtighten screws.

**H:** Repeat Steps E - G for both Small Roof Rafter Assemblies.



### Roof Parts

- 2 x Short Panel Left
- 2 x Short Panel Right

### Hardware

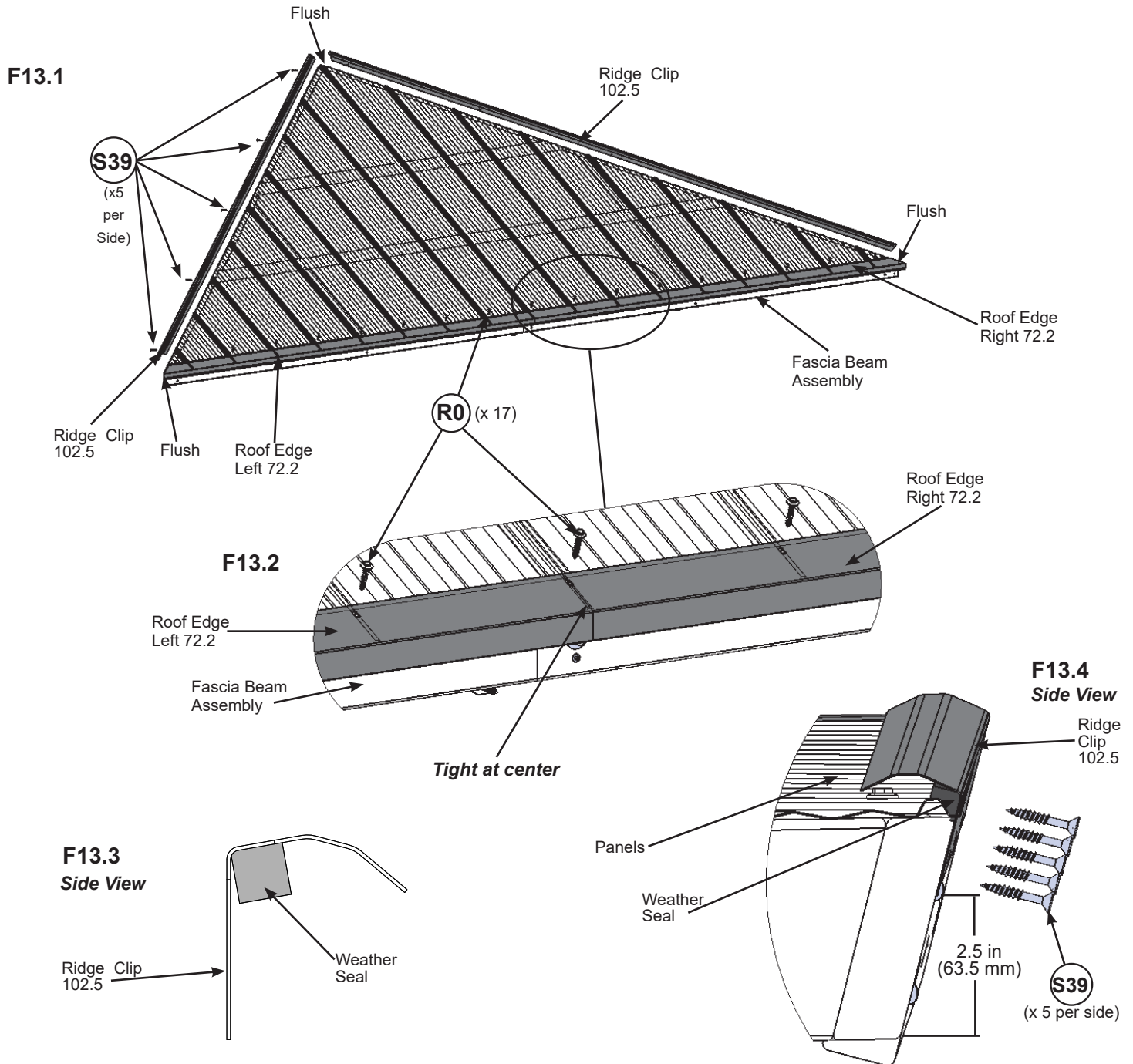
- 66 x **R0** #8 x 1" Roofing Screw

# Step 13: Attach Ridge Clips and Roof Edges - Small Roof



**A:** Place one Roof Edge Left 72.2 and one Roof Edge Right 72.2 on the bottom of each Small Roof Rafter Assembly so the ends are flush with the outside ends of the Fascia Beam Assembly and meet tight in the center. Attach both Roof Edges with 17 R0 per Small Roof Rafter assembly. (F13.1 and F13.2)

**B:** Place one Weather Seal on the inside of each Ridge Clip 102.5, then place one Ridge Clip 102.5 on each side of each Small Roof Rafter Assembly 2.5 in (63.5 mm) up from the bottom so they cover the panels and attach with five S39 per Ridge Clip 102.5. (F13.1, F13.3 and F13.4)



### Components:

- 2 x Roof Edge Left 72.2
- 2 x Roof Edge Right 72.2
- 4 x Ridge Clip 102.5
- 4 x Weather Seal

### Hardware

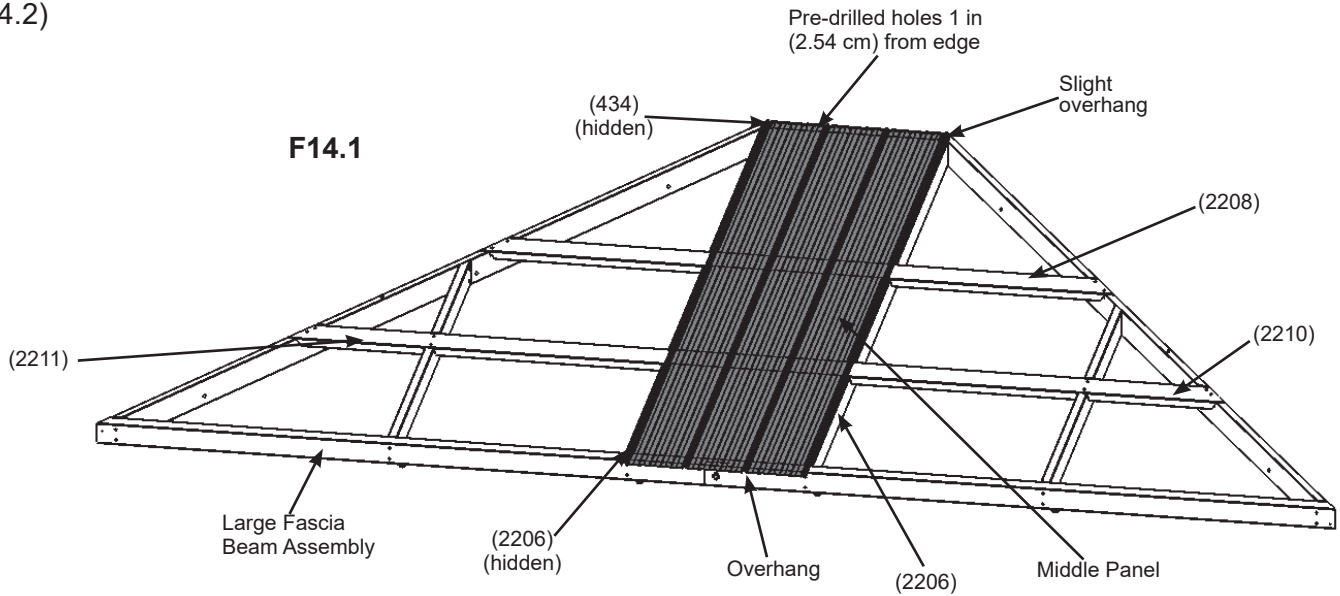
- 34 x (R0) #8 x 1" Roofing Screw
- 20 x (S39) #7 x 3/4" Wood Screw

# Step 14: Attach Roof Panels - Large Roof Part 1

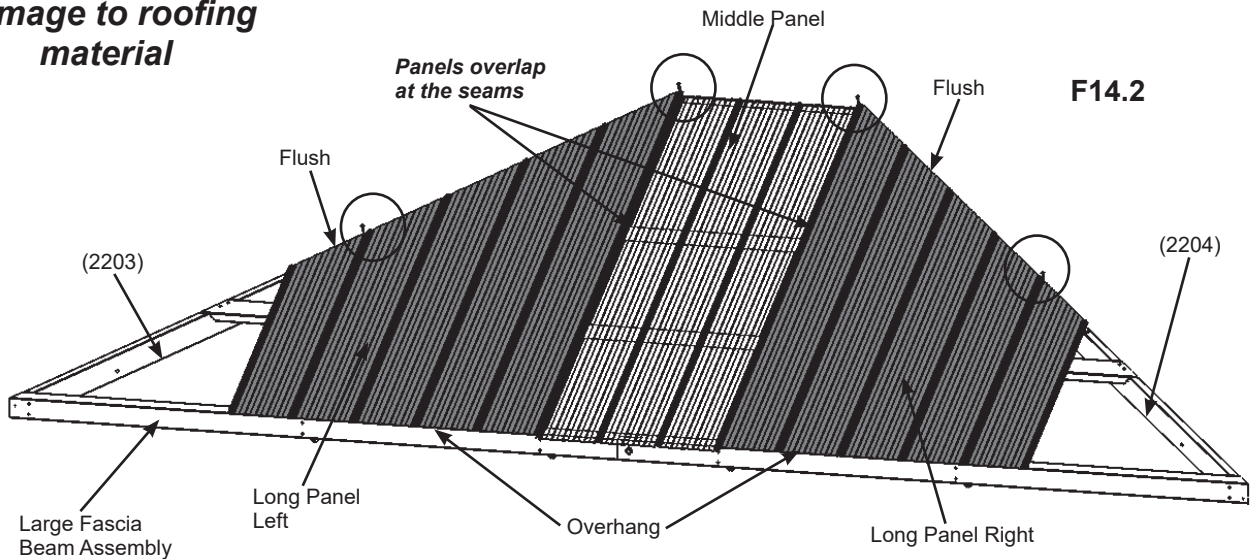


**A:** Place one Middle Panel on the front of one Large Roof Rafter Assembly so the holes that are 1 in (2.54 cm) from the short edge are at the top of the panel. The panel slightly overhangs the top of (434) and has an overhang at the bottom of the Large Fascia Beam Assembly. Holes should line up with (2206), (2208), (2211) and (2210). (F14.1)

**B:** Place one Long Panel Left and one Long Panel Right on each side of Middle Panel so they overlap the Middle Panel and are flush to the sides of (2203) and (2204) and have an overhang at the bottom of the Large Fascia Beam Assembly. Attach with two R0 per panel in the places shown below. Be sure not to overtighten screws. (F14.2)



**DO NOT overtighten screws, could cause damage to roofing material**



### Roof Parts

- 2 x Middle Panel
- 2 x Long Panel Left
- 2 x Long Panel Right

### Hardware

- 8 x **(R0)** #8 x 1" Roofing Screw



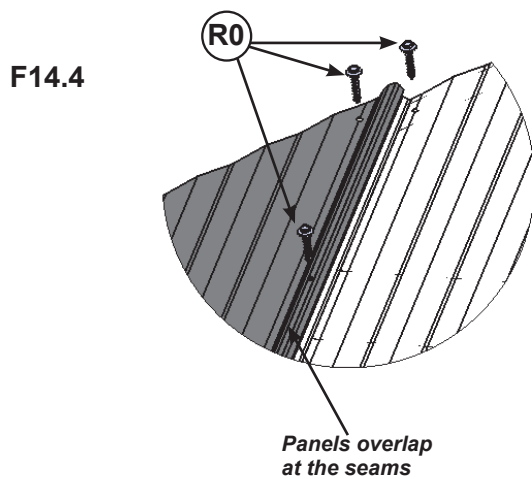
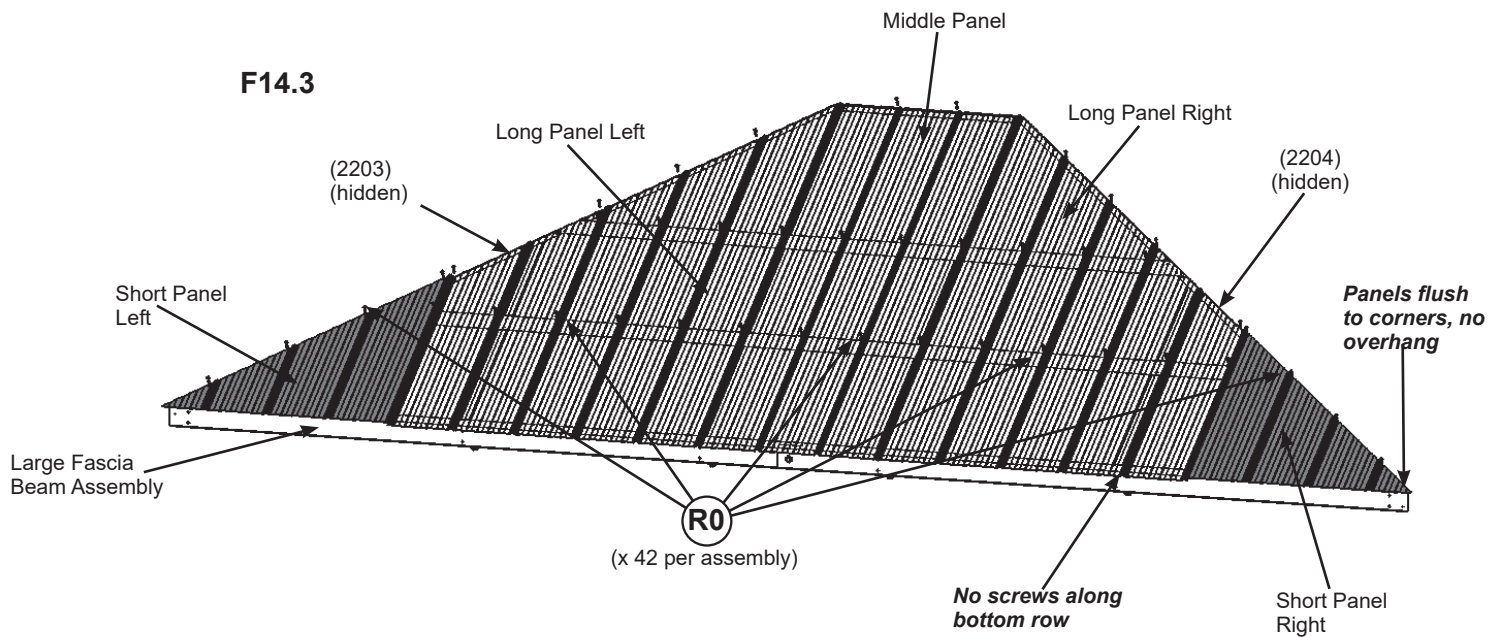
# Step 14: Attach Roof Panels - Large Roof Part 2

**C:** Place one Short Panel Left so it overlaps the Long Panel Left and it is flush to the sides of (2203) and one Short Panel Right so it overlaps the Long Panel Right and it is flush to the side of (2204). There will be a slight overhang at the bottom of the Large Fascia Beam Assembly. There should be no overhang at the corners. (F14.3 and F14.4)

**D:** Make sure all panels fit properly then attach with 42 R0. Be sure not to overtighten screws (F14.3 and F14.4)

**Notice there are no screws along the bottom row.**

**E:** Repeat Steps A - D for both Large Roof Rafter Assemblies.



**DO NOT overtighten screws, could cause damage to roofing material**

## Roof Parts

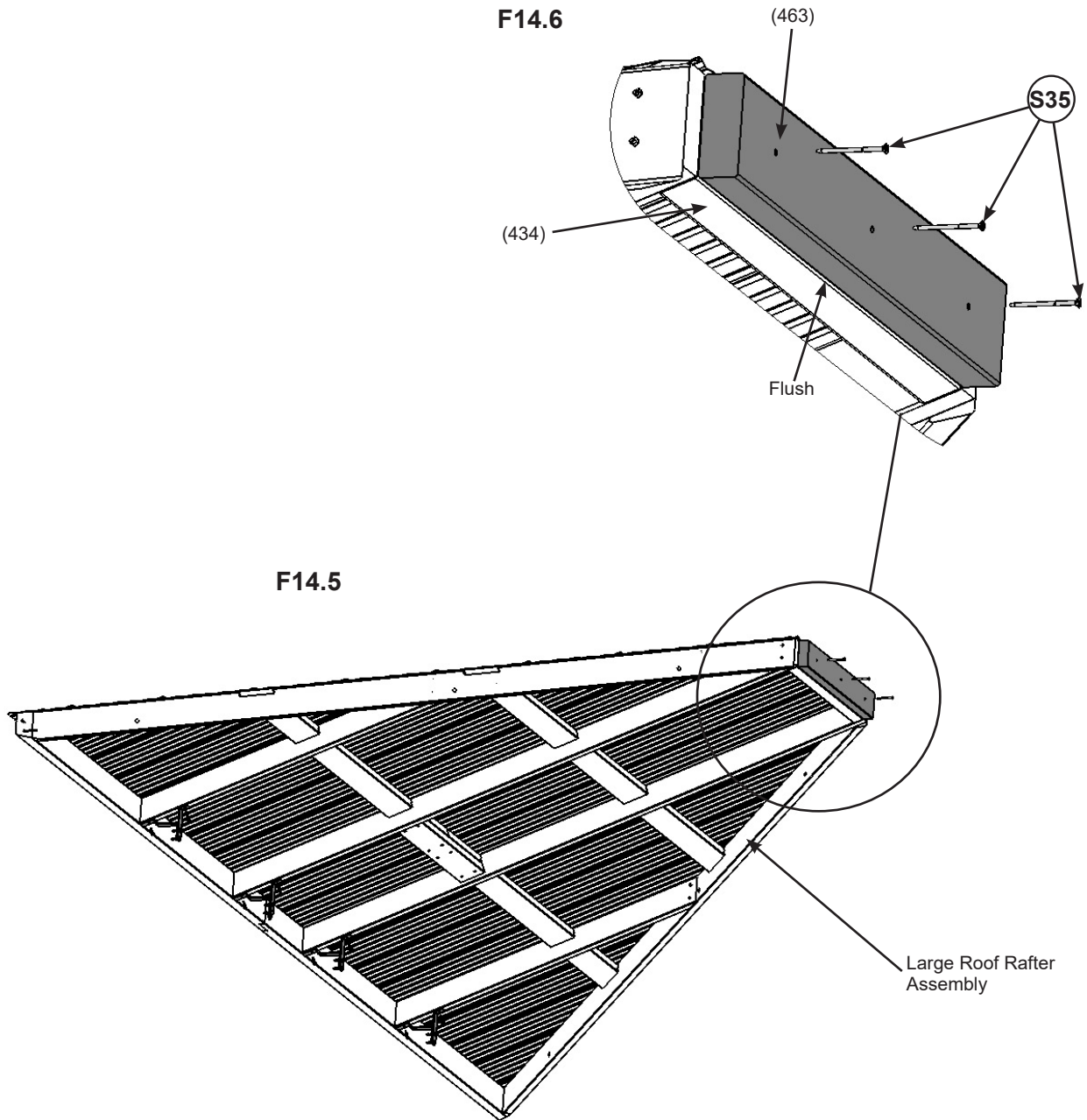
2 x Short Panel Left  
2 x Short Panel Right

## Hardware

84 x (R0) #8 x 1" Roofing Screw

# Step 14: Attach Roof Panels - Large Roof Part 3

F: On one Large Roof Rafter Assembly place one (463) flush to the outside edges and centered on (434) then attach with three S35. (F14.5 and F14.6)



## Wood Parts

1 x (463) Spacer Top

## Hardware

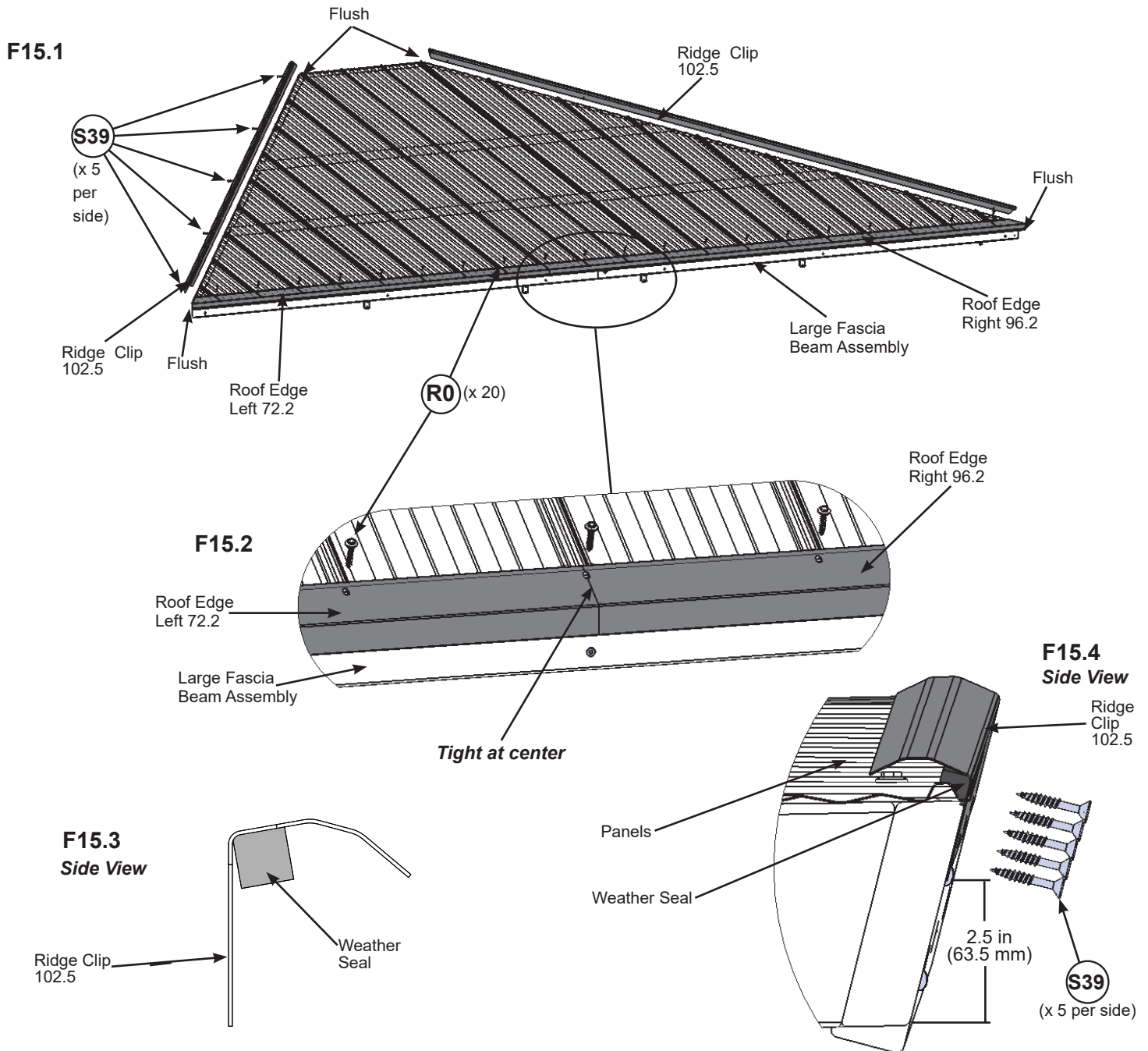
3 x (S35) #8 x 2-1/4" Wood Screws

# Step 15: Attach Ridge Clips and Roof Edges - Large Roof



**A:** Place one Roof Edge Left 72.2 and one Roof Edge Right 96.2 on the bottom of each Large Roof Rafter Assembly so the ends are flush with the outside ends of the Large Fascia Beam Assembly and meet tight in the center. Attach both Roof Edges with 20 R0 per Large Roof Rafter assembly. (F15.1 and F15.2)

**B:** Place one Weather Seal on the inside of each Ridge Clip 102.5 then place one Ridge Clip 102.5 on each side of each Large Roof Rafter Assembly, 2.5 in (63.5 mm) up from the bottom so they cover the panels and attach with five S39 per Ridge Clip 102.5. (F15.1, F15.3 and F15.4)



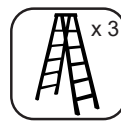
### Components

- 2 x Roof Edge Left 72.2
- 2 x Roof Edge Right 96.2
- 4 x Ridge Clip 102.5
- 4 x Weather Seal

### Hardware

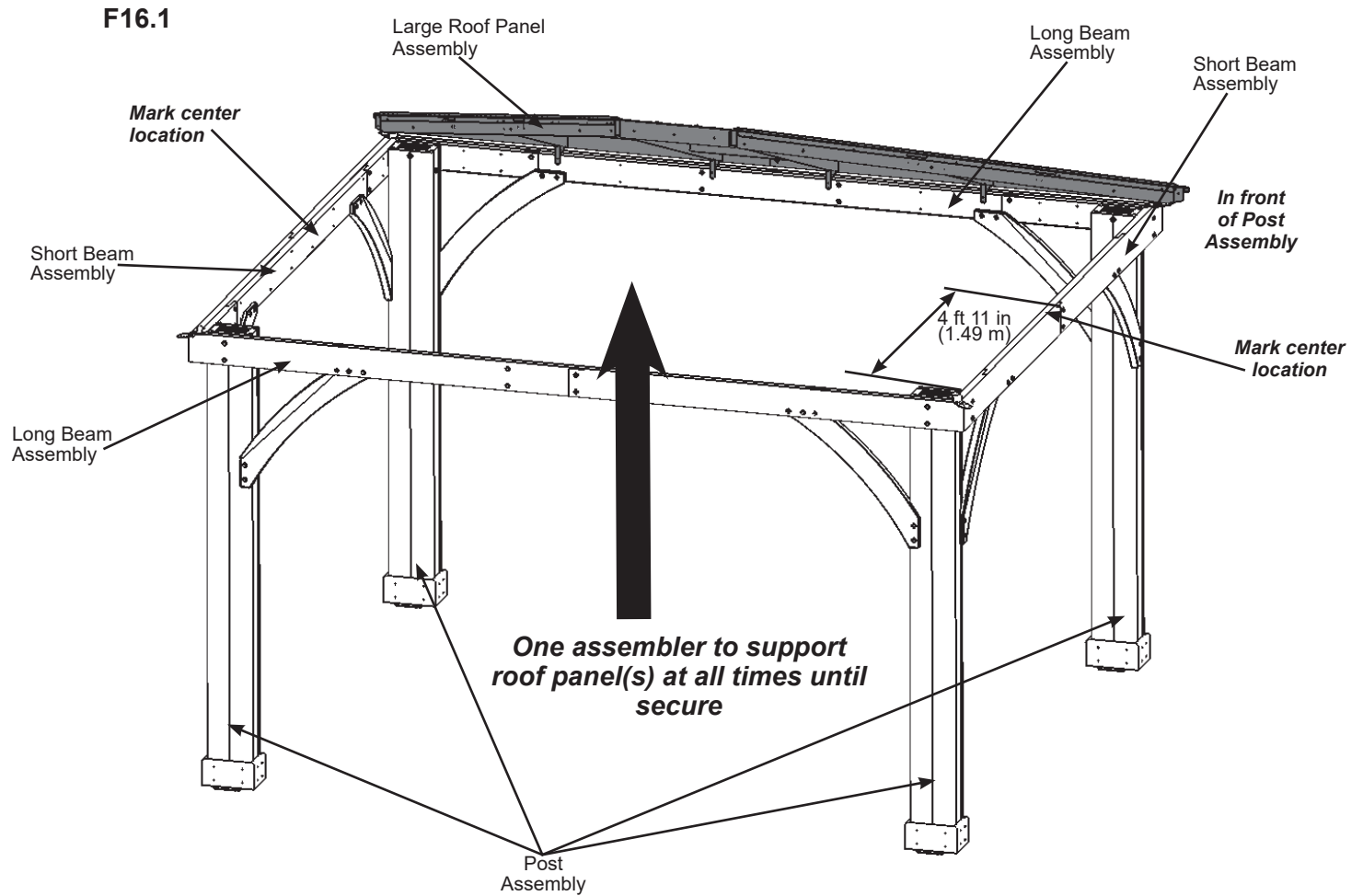
- 40 x R0 #8 x 1" Roofing Screw
- 20 x S39 #7 x 3/4" Wood Screw

# Step 16: Attach Roof Panels to Frame Part 1



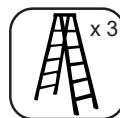
**A:** From inside the Post Assemblies measure 4 ft 11 in (1.49 m) to mark the center of each Short Beam Assembly. (F16.1)

**B:** With all four assemblers place one Large Roof Panel Assembly with Roof to Beam Brackets in front of the Post Assemblies then raise it up so it is centered on the Long Beam Assembly. (F16.1)



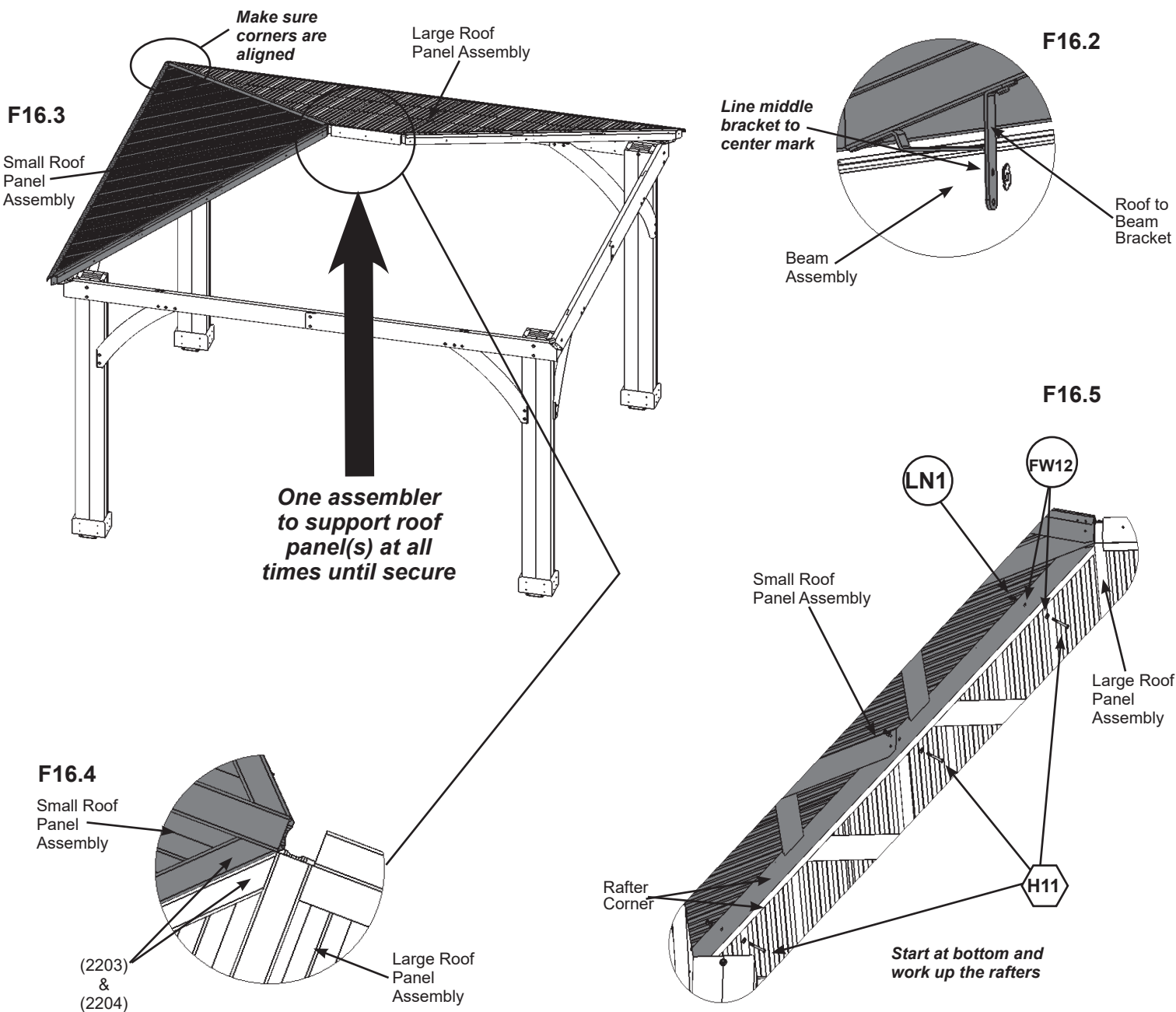


# Step 16: Attach Roof Panels to Frame Part 2



**C:** Lift a Small Roof Panel Assembly with Roof to Beam Brackets over Short Beam Assembly taking care not to drag the panel on the beams. Make sure the middle Roof to Beam Bracket lines up to the center mark and the Corner Rafters are flush with each other. **One person must remain on the center ladder to hold both panels in place until three panels are up and secure.** (F16.2, F16.3 and F16.4)

**D:** Starting at the bottom and working up connect Large Roof Panel Assembly to Small Roof Panel Assembly through the Rafter Corners with three H11 (with two FW12 and one LN1). To align bolt holes helper in the center may have to push up the center of the panels and others make sure corners are aligned. Make sure all bolts are tight. (F16.2 and F16.5)



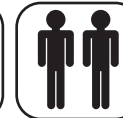
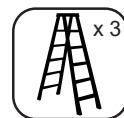
### Hardware

3 x 1/4 x 2-3/4" Hex Bolt

3 x 1/4" lock nut

6 x 1/4-5/16" large washer

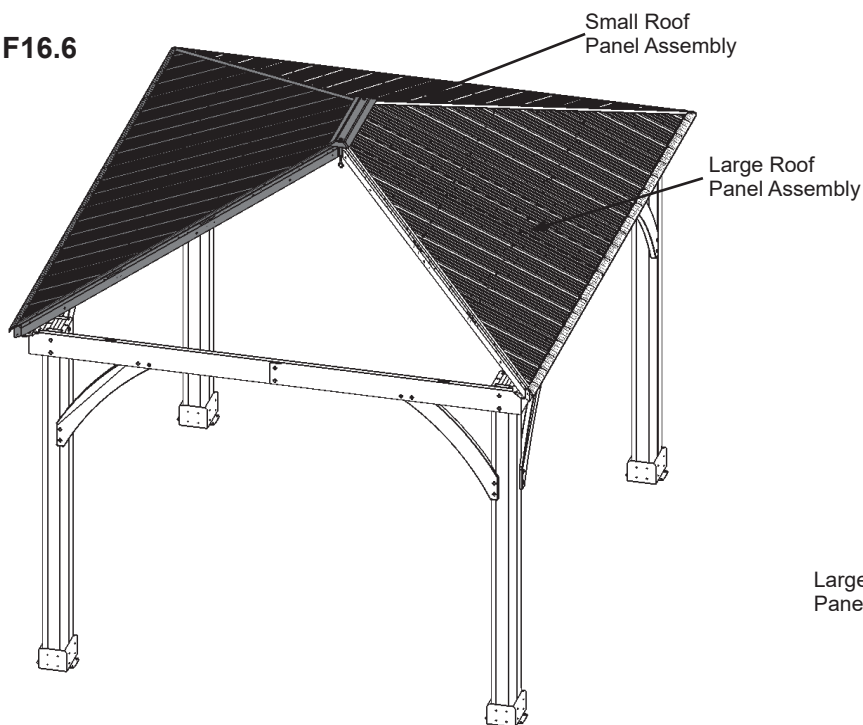
# Step 16: Attach Roof Panels to Frame Part 3



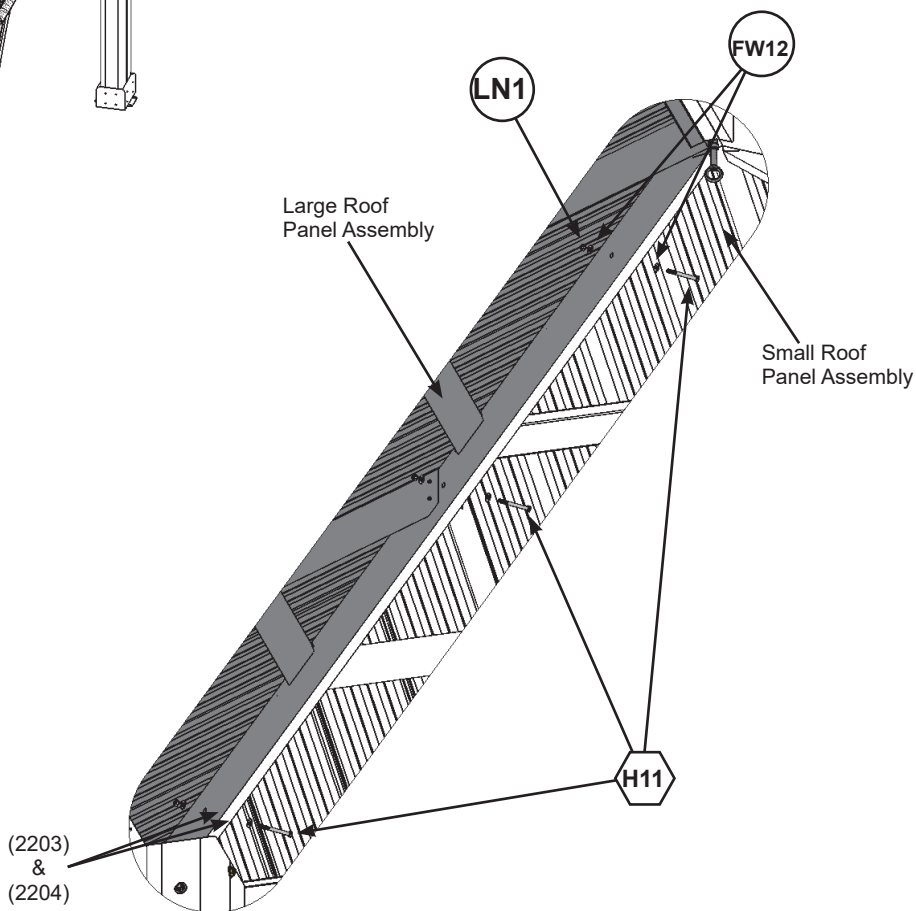
**E:** Lift second Large Roof Panel Assembly with Roof to Beam Brackets over Large Beam Assembly taking care not to drag the panel on the beams then set in place beside the Small Roof Panel Assembly. (F16.6)

**F:** Starting at the bottom and working up connect Large Roof Panel Assembly to Small Roof Panel Assembly through the Corner Rafters with three H11 (with two FW12 and one LN1). To align bolt holes helper on the center ladder may have to push up in the center of the panels and others make sure corners are aligned. Make sure all bolts are tight. (F16.7)

**F16.6**



**F16.7**



**Hardware**

3 x (H11) 1/4 x 2-3/4" Hex Bolt

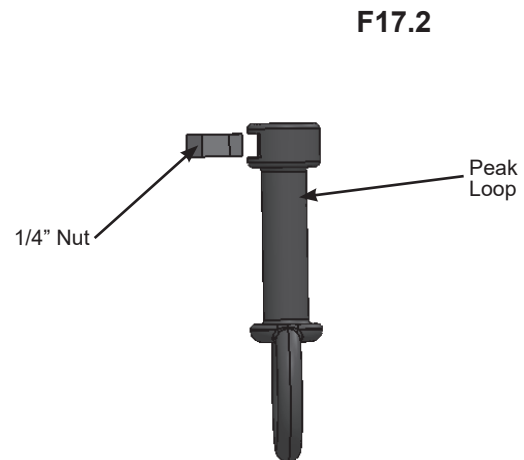
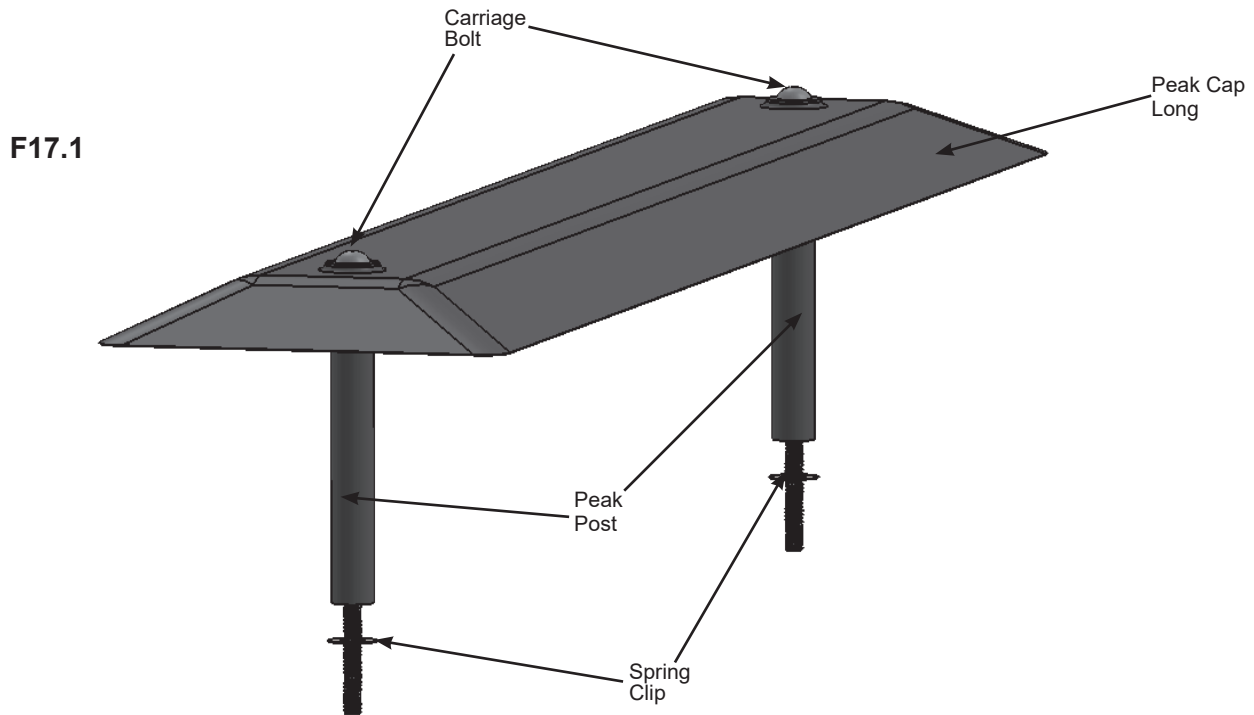
3 x (LN1) 1/4" lock nut

6 x (FW12) 1/4-5/16" large washer

# Step 17: Roof Peak Assembly

**A:** Insert two Carriage Bolts through the top of Peak Cap Long, into Peak Post then Spring Clip. The Spring Clip holds the assembly together. (F17.1)

**B:** Insert one 1/4" Nut into each Peak Loop. Be careful, nut is loose and will fall out until attached to Peak Cap Assembly. (F17.2)



## Components

1 x Roof Peak Set	1 x Peak Cap Long
2 x Carriage Bolt	2 x Peak Post
2 x Peak Loop	
2 x Spring Clip	
2 x 1/4" Nut	

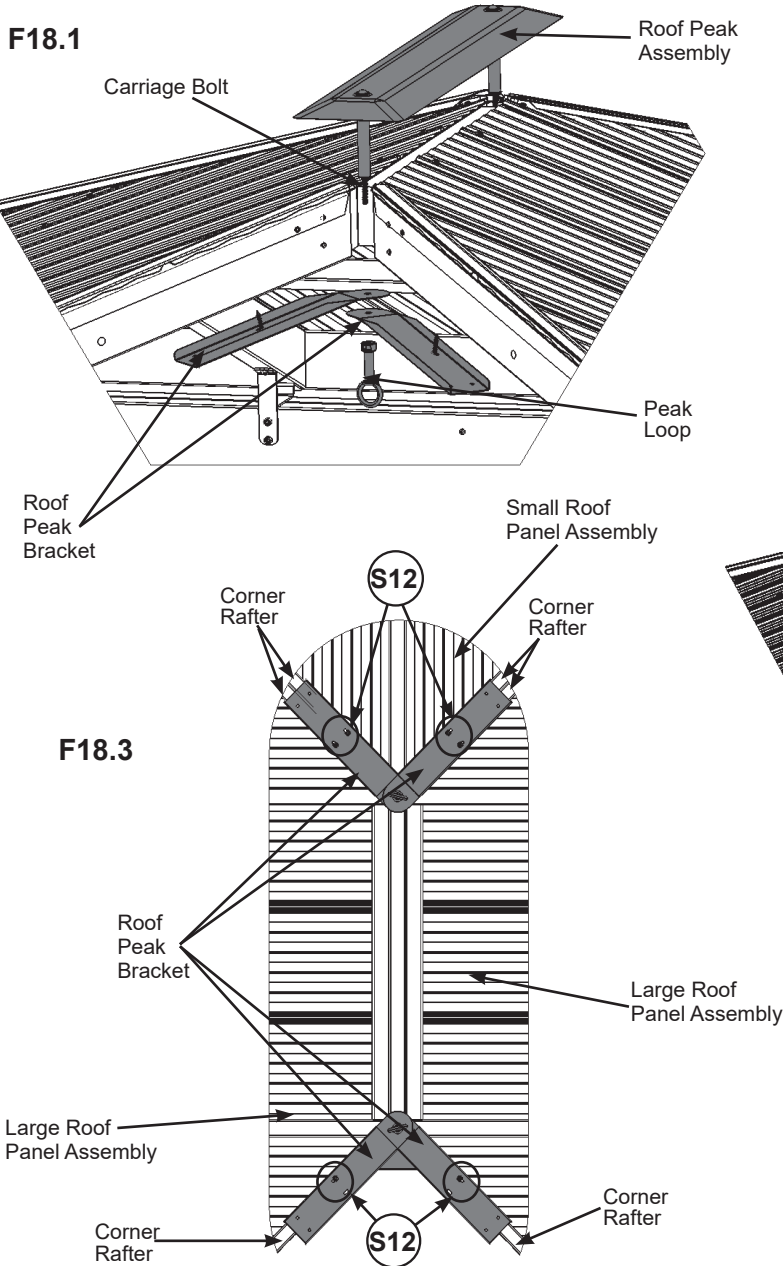
# Step 18: Attach Roof Peak to Roof Panels



**A:** Insert Roof Peak Assembly in gap between Large and Small Roof Panels. Peak Cap Long to be lined up with Corner Rafters. (F18.1 and F18.2)

**B:** Insert two Roof Peak Brackets through each Carriage Bolt and attach Peak Loop to Carriage Bolts then twist to tighten loosely.

**C:** Loosely attach one set of Roof Peak Brackets to the Corner Rafters of the connected Large and Small Roof Panels in the slotted holes with four S12. On the second set of Roof Peak Brackets loosely attach to the Corner Rafters of Large Roof Panels with two S12. (F18.3)



**Note: DO NOT ATTACH ANY PRODUCT WHICH WEIGHS GREATER THAN 22 LBS (10 KG) TO EACH OF THE PEAK LOOPS**

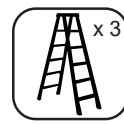
**Components:**

4 x Roof Peak Brackets

**Hardware**

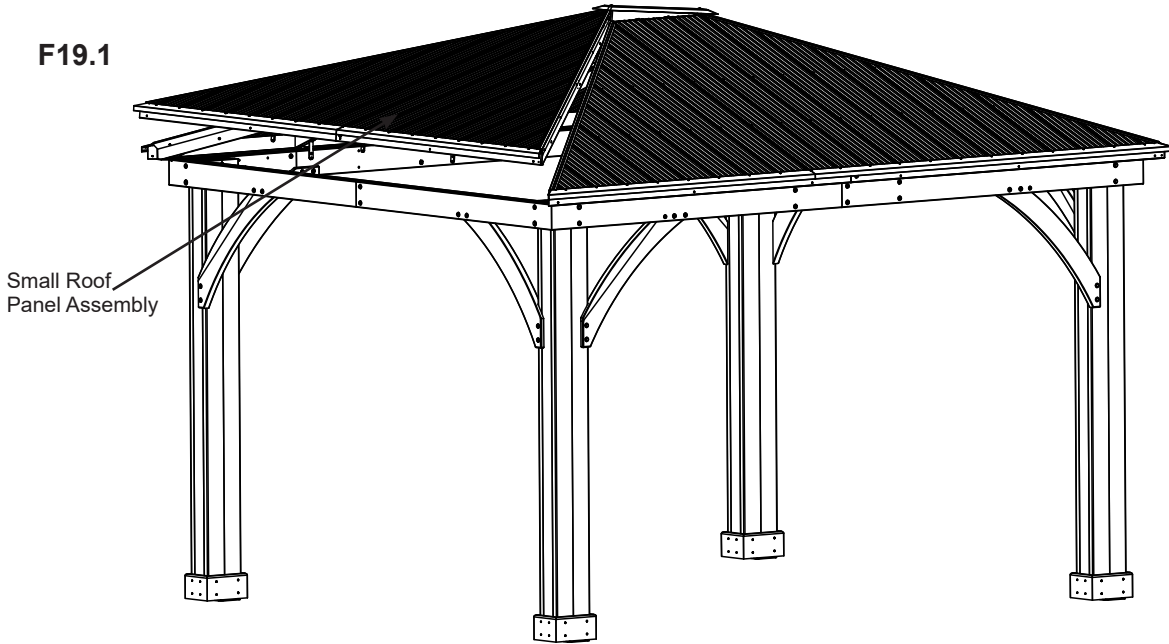
6 x S12 #10 x 1-1/4" Pan Screw

# Step 19: Attach Final Roof Panel Part 1

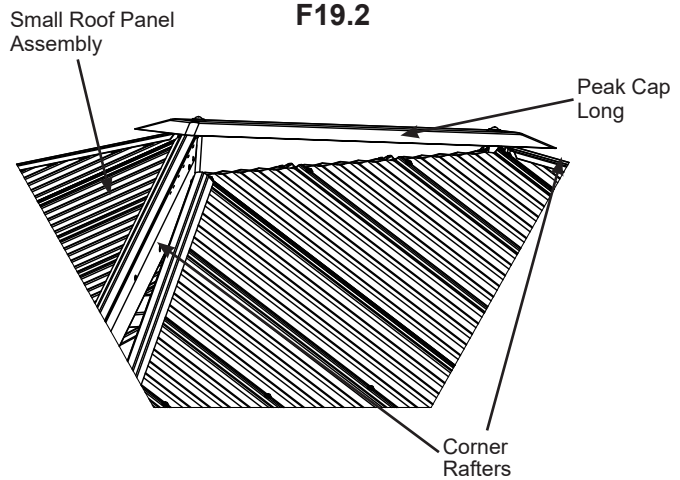


**A:** Lift last Small Roof Panel Assembly (without Roof to Beam Brackets) over Short Beam Assembly taking care not to drag the panel on the beams. Panel fits under the Peak Cap Long, push up on Peak Loop to lift Peak Cap Long. The center of the other panels may have to be pushed up to fit fourth panel. (F19.1 and F19.2)

**F19.1**



**F19.2**



# Step 19: Attach Final Roof Panel Part 2

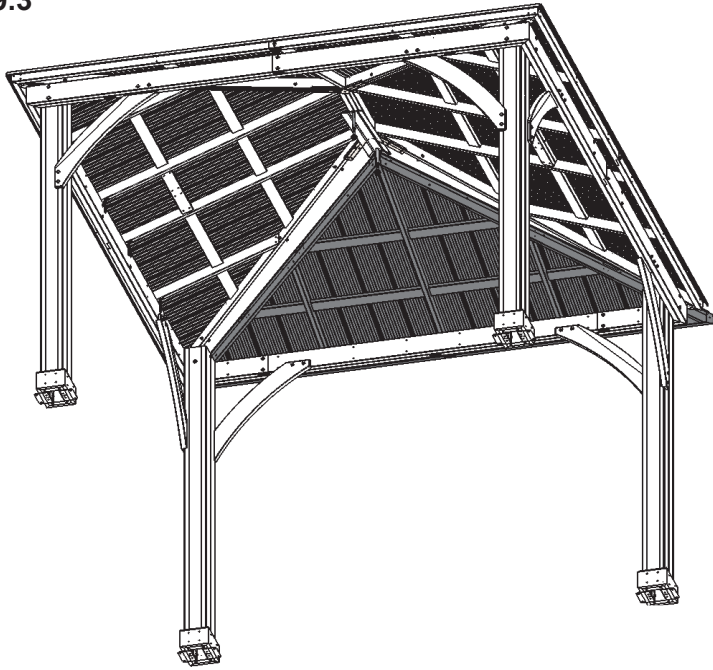


Remember to push up center to assist with alignment.

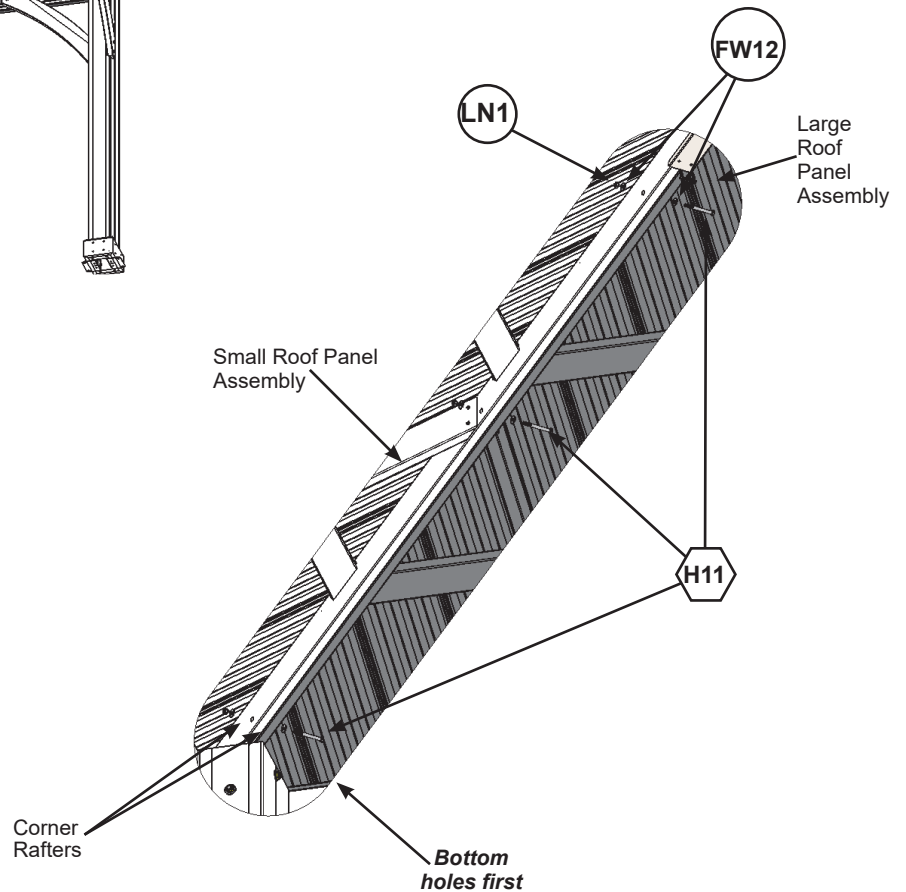
**B:** Starting at the bottom and working up loosely connect Roof Panel Assemblies through the Corner Rafters with three H11 (with two FW12 and one LN1) per side. To align bolt holes helper on the center ladder may have to push up in the center of the panels and others make sure corners are aligned. Tighten bolts when all six have been installed. (F19.3 and F19.4)

*Corner Rafters should be aligned with Roof to Post Bracket.*

F19.3



F19.4

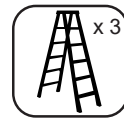


### Hardware

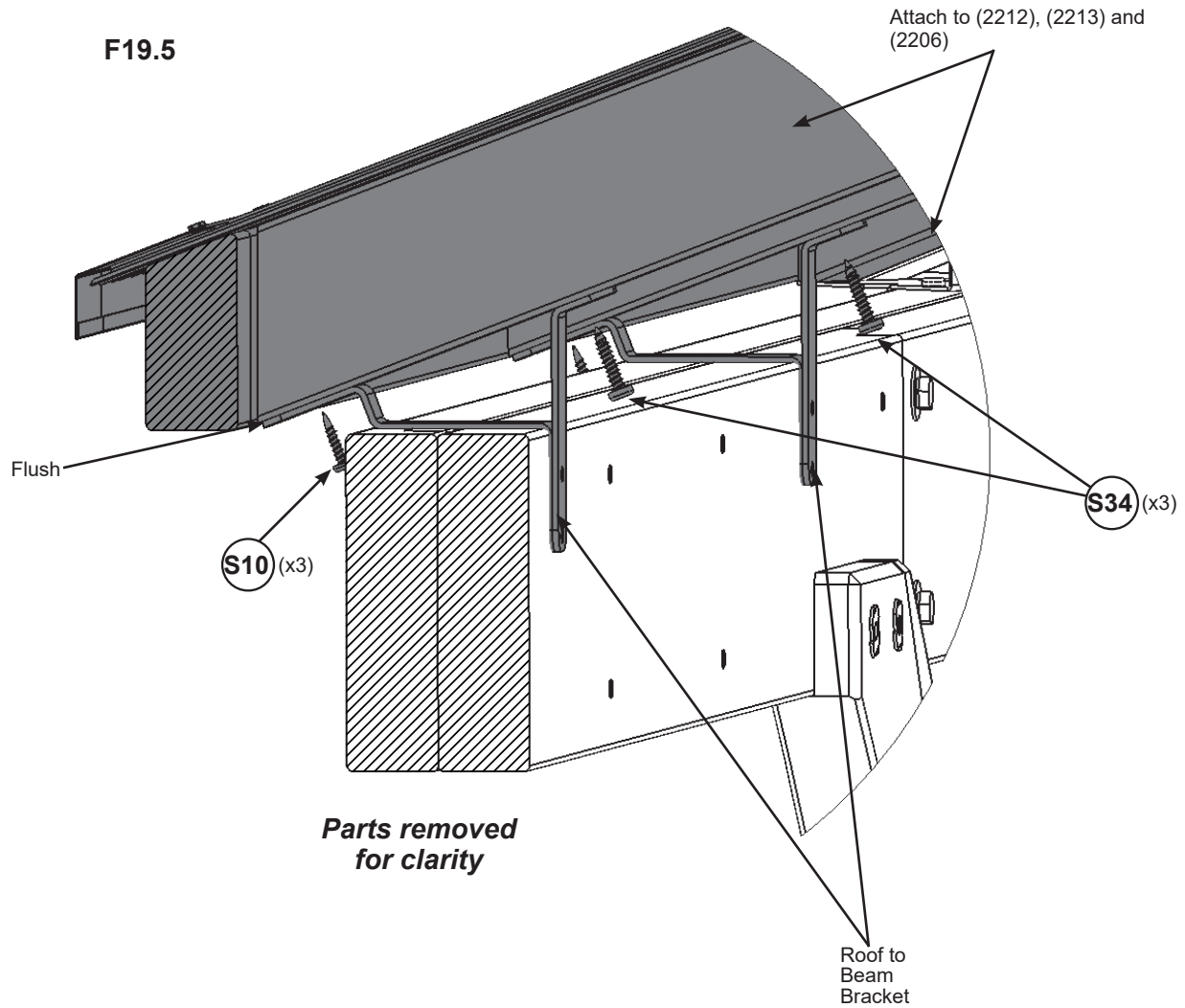
- 6 x LN1 1/4" lock nut
- 6 x H11 1/4 x 2-3/4" Hex Bolt
- 12 x FW12 1/4-5/16" large washer



# Step 19: Attach Final Roof Panel Part 3



**C:** On the Small Roof Rafter Assembly just installed, centered and flush to the bottom of (2212), (2213) and (2206), attach one Roof to Beam Bracket per board with one S10 in the bottom hole and one S34 in the top hole. (F19.5)



### Components

3 x Roof to Beam Bracket

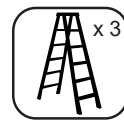
### Hardware

3 x #8 x 1" Pan Screw

3 x #12 x 1-1/4" Pan Screw



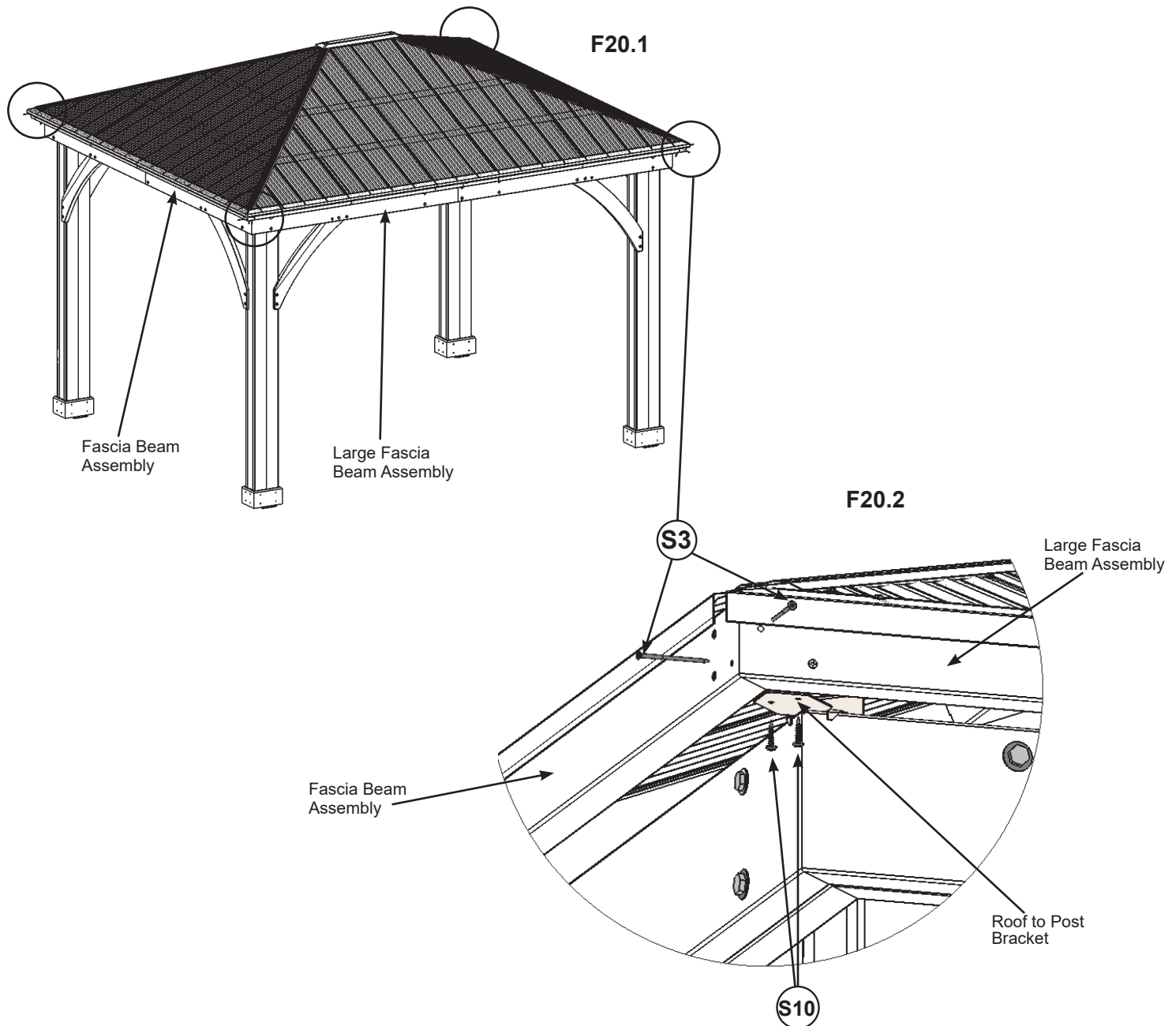
## Step 20: Secure Roof Corners



**A:** Make sure middle Roof to Beam Brackets are flush and tight to the Beam Assemblies. Lift in center if needed.

**B:** From outside the assembly attach Roof Panel Assemblies together at the ends of the Fascia Beam Assemblies with two S3 per corner. A helper may need to lift the center of the roof to bring the corners tight together. (F20.1 and F20.2)

**C:** Align Roof Panel Assemblies to sit centered on Roof to Post Brackets then attach with two S10 per bracket. (F20.2)

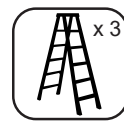


### Hardware

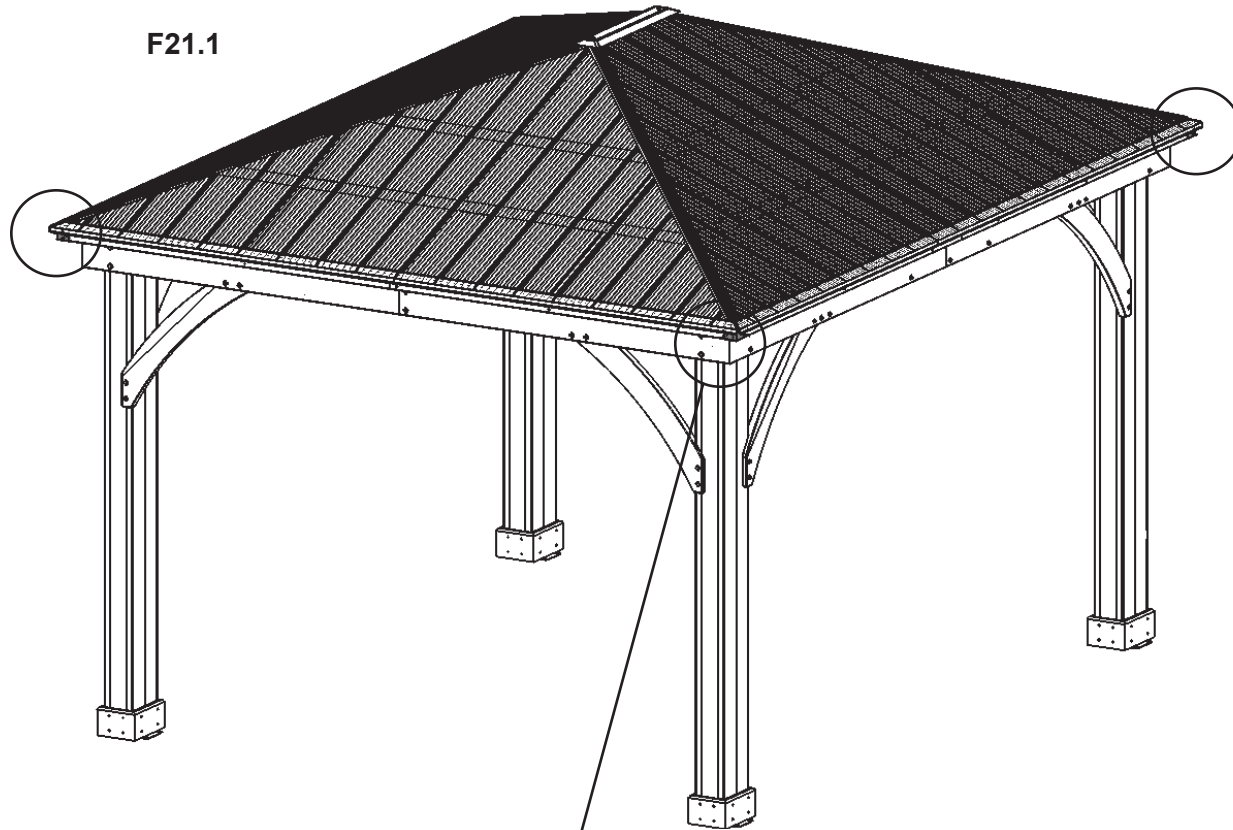
8 x (S3) #8 x 2-1/2" Wood Screw

8 x (S10) #8 x 1" Pan Screw

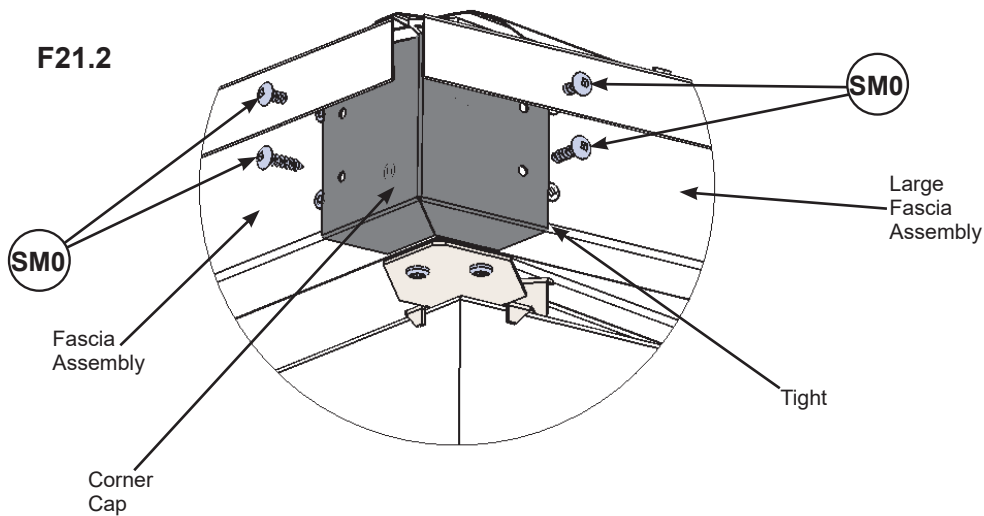
# Step 21: Attach Corner and Beam Caps



**A:** At each corner place one Corner Cap tight to Fascia Assemblies, push up so the bottom is tight to the bottom of the assemblies then attach with four SM0 per Corner Cap. (F21.1 and F21.2)



F21.1



F21.2

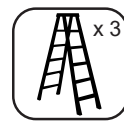
### Components

4 x Corner Cap

### Hardware

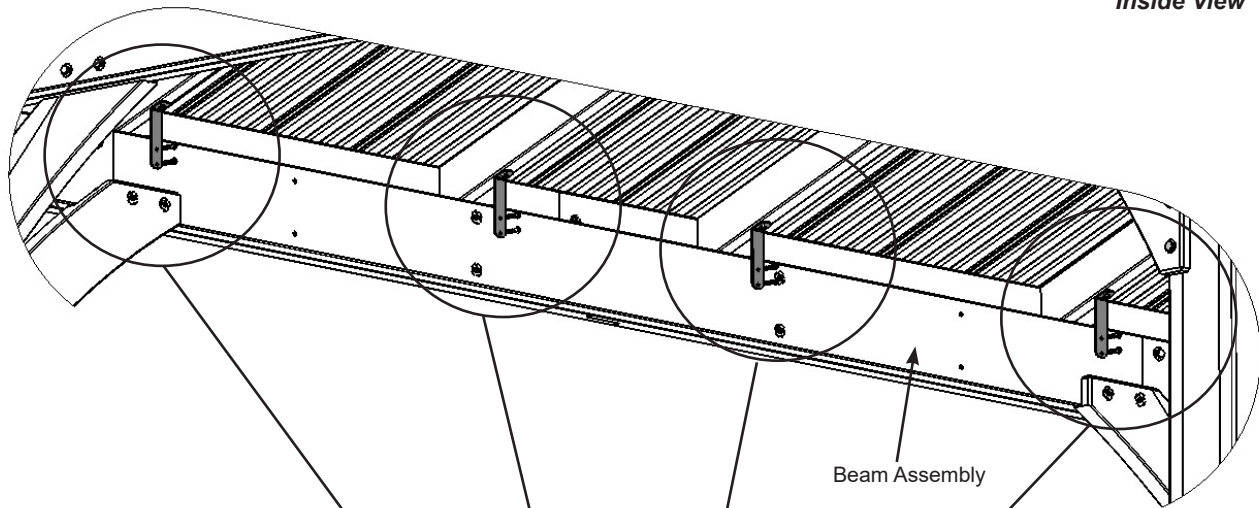
16 x  #8 x 3/4" Sheet Metal Screw

# Step 22: Secure Roof to Beam Brackets

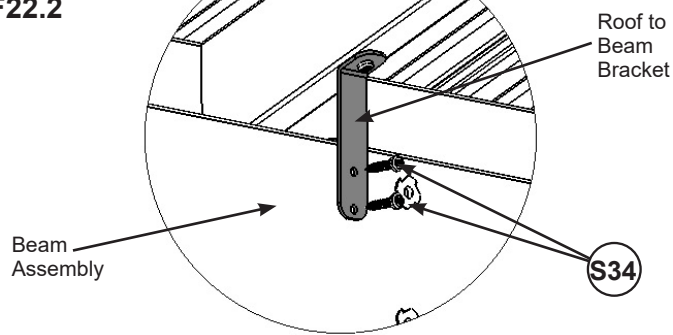


**A:** From inside the assembly attach Roof to Beam Brackets to Beam Assemblies with two S34 per bracket. (F22.1 and F22.2)


**F22.1**  
*Inside View*



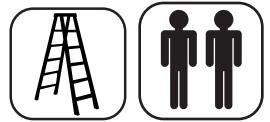
**F22.2**



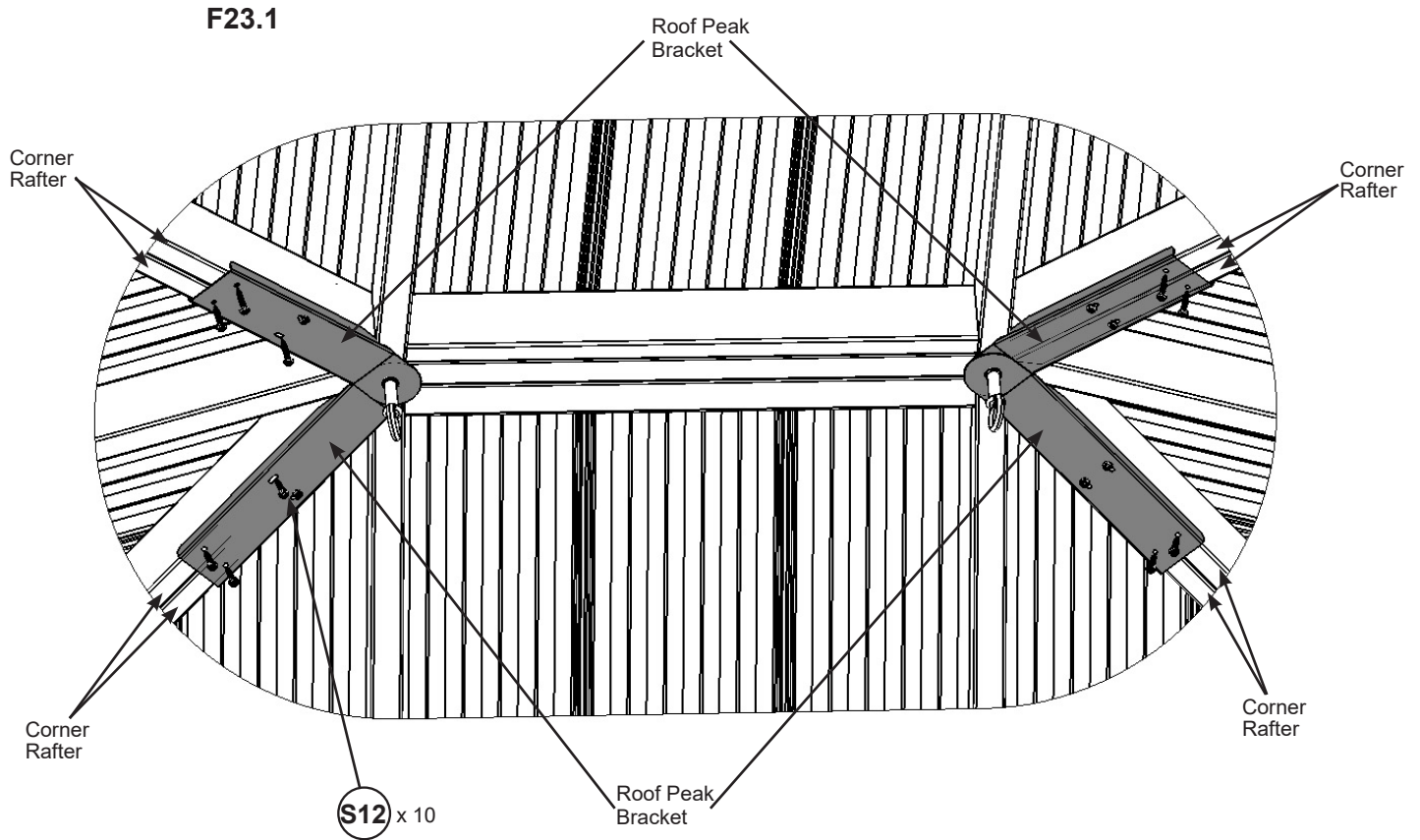
### Hardware

28 x  #12 x 1-1/4" Pan Screw

# Step 23: Secure Roof Peak Brackets



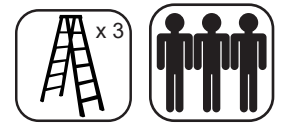
**A:** Tighten the six screws in Roof Peak Brackets then attach to Corner Rafters in the remaining holes with ten S12. (F23.1)



### Hardware

10 x **S12** #10 x 1-1/4" Pan Screw

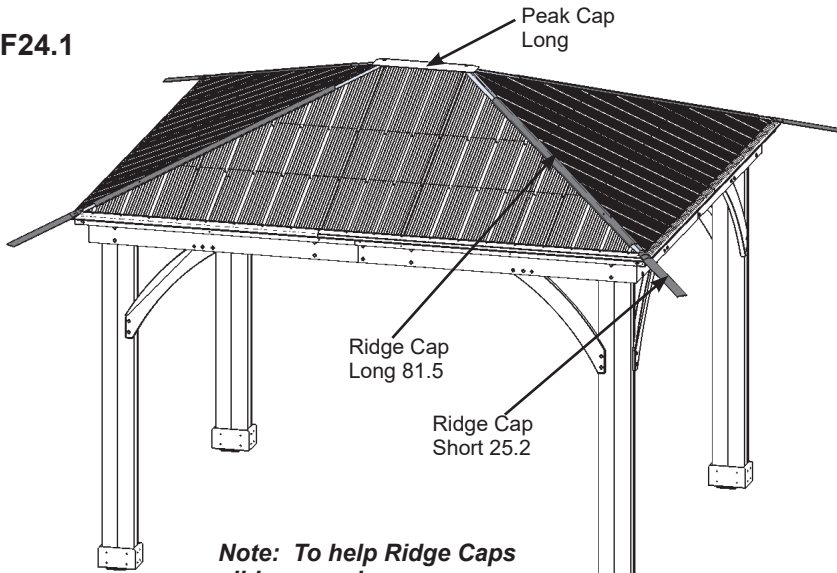
# Step 24: Attach Ridge Caps to Roof Panels



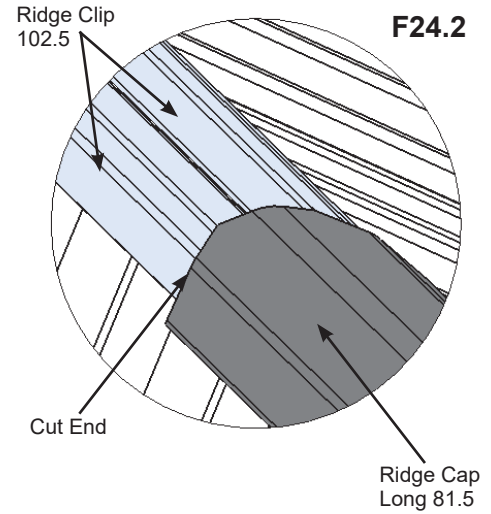
**A:** On each corner of the assembly slide one Ridge Cap Long 81.5 over the Ridge Clips from the bottom up, with cut end leading. Slide Ridge Cap Short 25.2 over the Ridge Clips leading with the insert end to push the Ridge Cap Long 81.5 to the top. Lift Peak Cap Long by pushing up the Peak Loop so Ridge Cap Long 81.5s fit under Peak Cap Long. Make sure the holes align then attach with two SM0 per Ridge Cap set. (F24.1, F24.2, F24.3, F24.4 and F24.5)

**B:** Tighten Loop to secure Roof Peak Set.

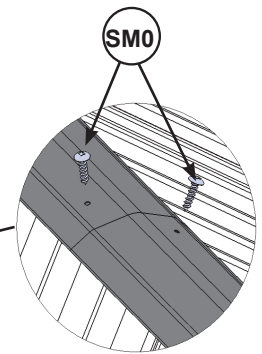
**F24.1**



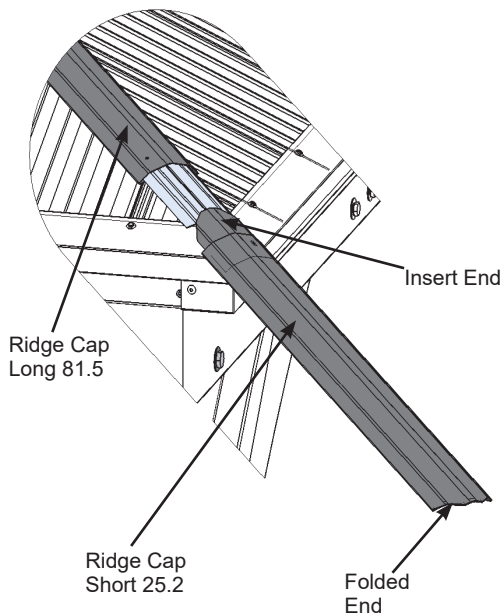
*Note: To help Ridge Caps slide on easier use a lubricant such as liquid soap.*



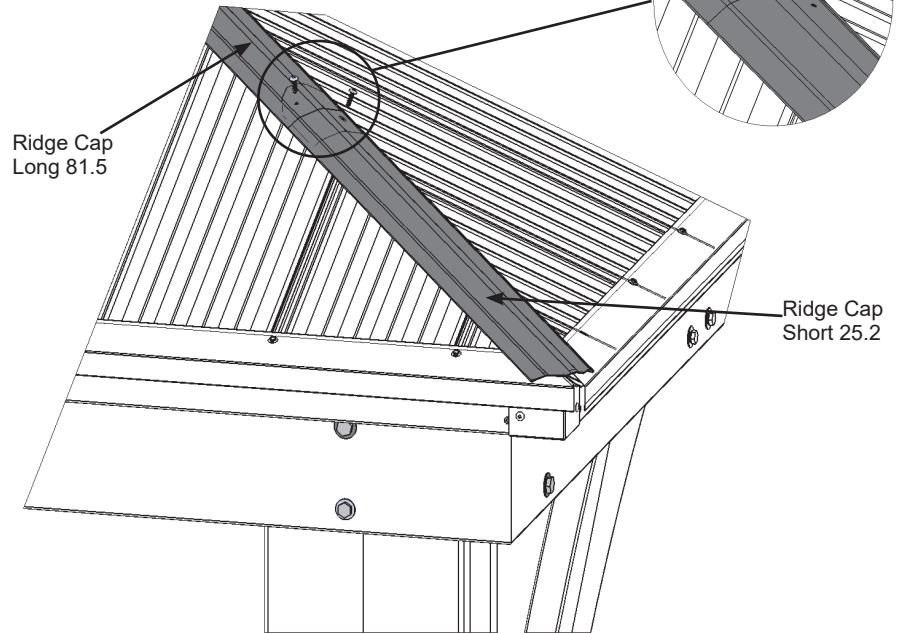
**F24.5**



**F24.3**



**F24.4**



**Components**

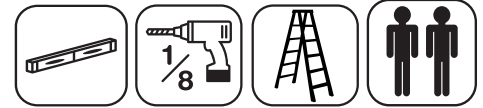
- 4 x Ridge Cap Long 81.5
- 4 x Ridge Cap Short 25.2

**Hardware**

- 8 x (SM0) #8 x 3/4" Sheet Metal Screw



# Step 25: Attach Tie Wrap Brackets and Ties

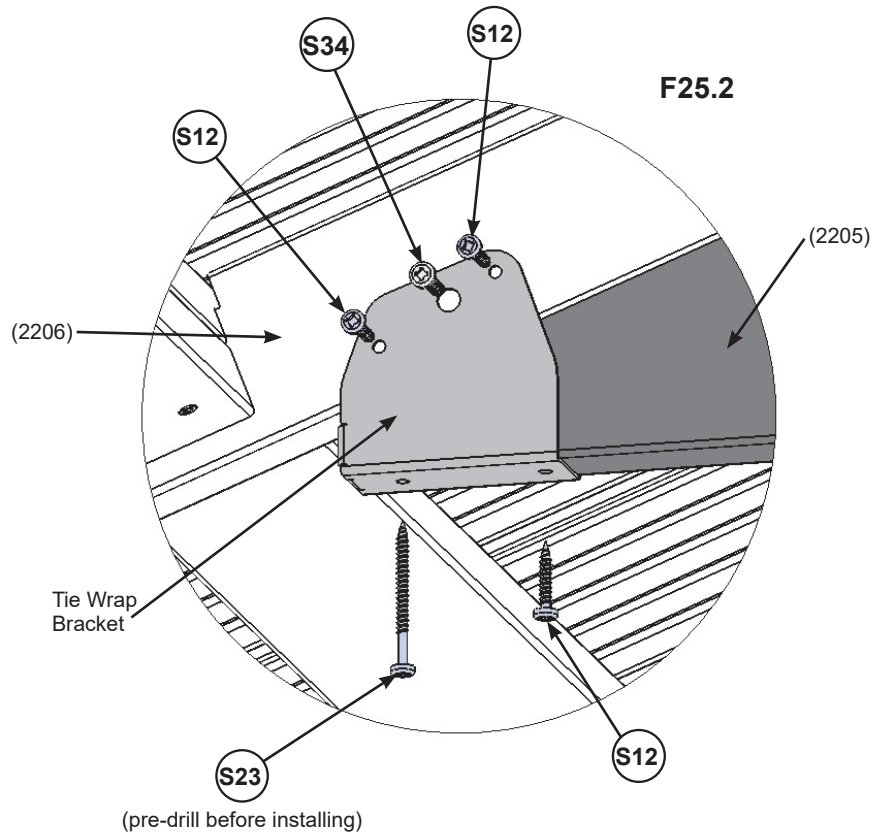
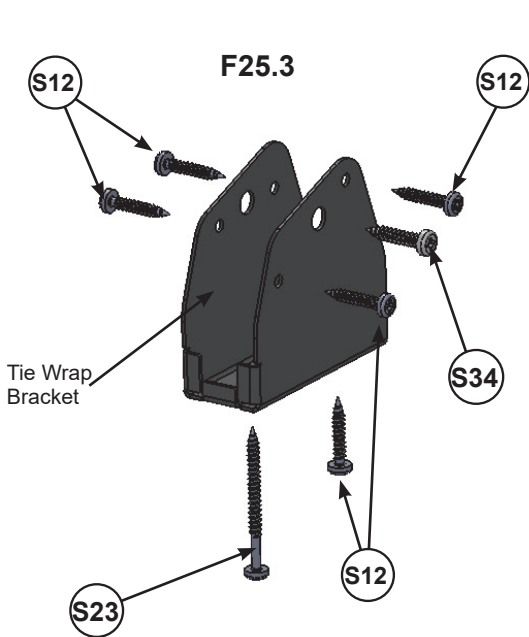
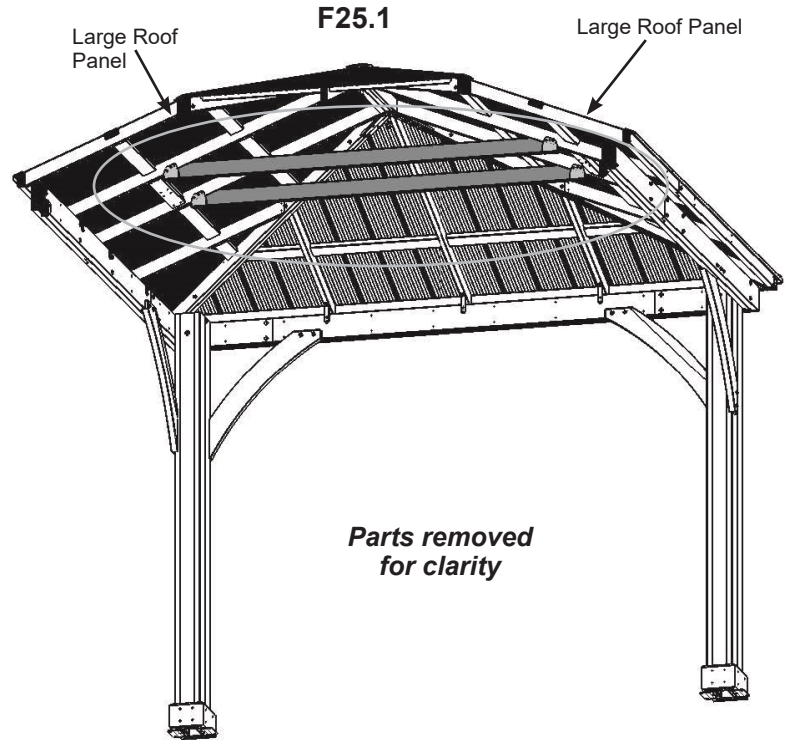


**A:** Attach one Tie Wrap Bracket to each end of one (2205) with one S12 per bracket using the inside holes. (2205) is tight to end of bracket. (F25.1, F25.2 and F25.3)

**B:** With a helper place (2205) with brackets against a (2206) on each Large Roof Panel so (2205) is tight to (2206) and level. Attach Tie Wrap Bracket to (2206) with two S12 on both sides of each bracket and one S34 on one side of each bracket. (F25.1, F25.2 and F25.3)

**C:** Pre-drill with a 1/8" drill bit and secure Tie Wrap Brackets to (2205) and (2206) with one S23 per bracket. (F25.1, F25.2 and F25.3)

**D:** Repeat Steps A to C for a second (2205).



**Wood Parts**

2 x (2205) Tie

**Components:**

4 x Tie Wrap Bracket

**Hardware**

20 x (S12) #10 x 1-1/4" Pan Screw

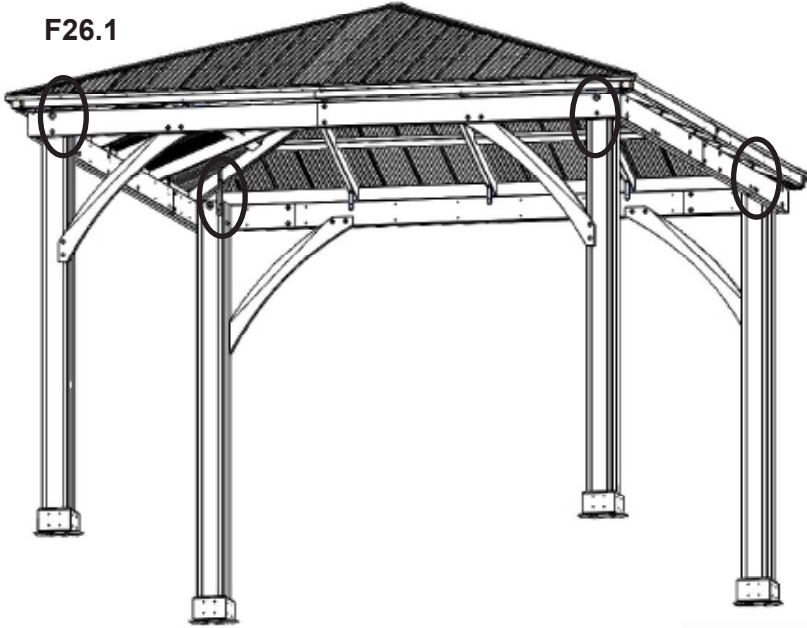
4 x (S23) #10 x 2-1/2" Pan Screw

4 x (S34) #12 x 1-1/4" Pan Screw

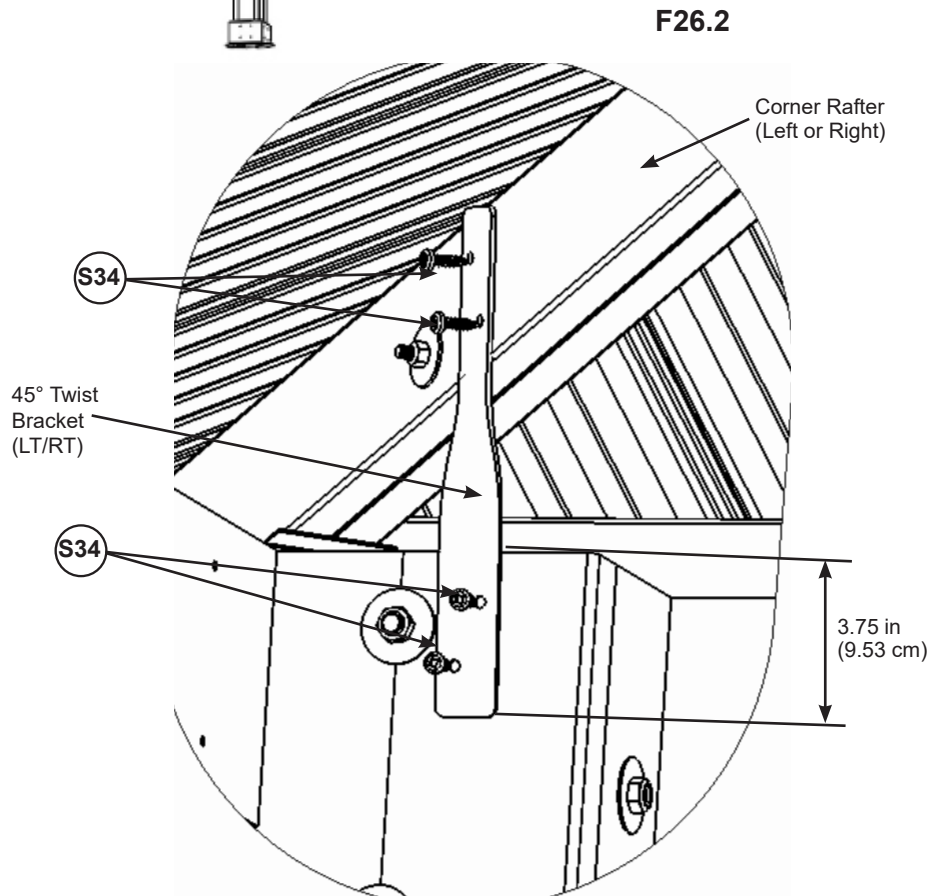
# Step 26: Twist Bracket Installation



**A:** Measure 3.75 in (9.53 cm) down from the inside of each post, place bottom of either 45° Twist Bracket LT or 45° Twist Bracket RT at measured location then attach to post and Corner Rafter (Left or Right) with four S34 per bracket (F26.1 and F26.2)



F26.1



F26.2

### Components

2 x 45° Twist Bracket LT  
2 x 45° Twist Bracket RT

### Hardware

16 x S34 #12 x 1-1/4" Pan Screw

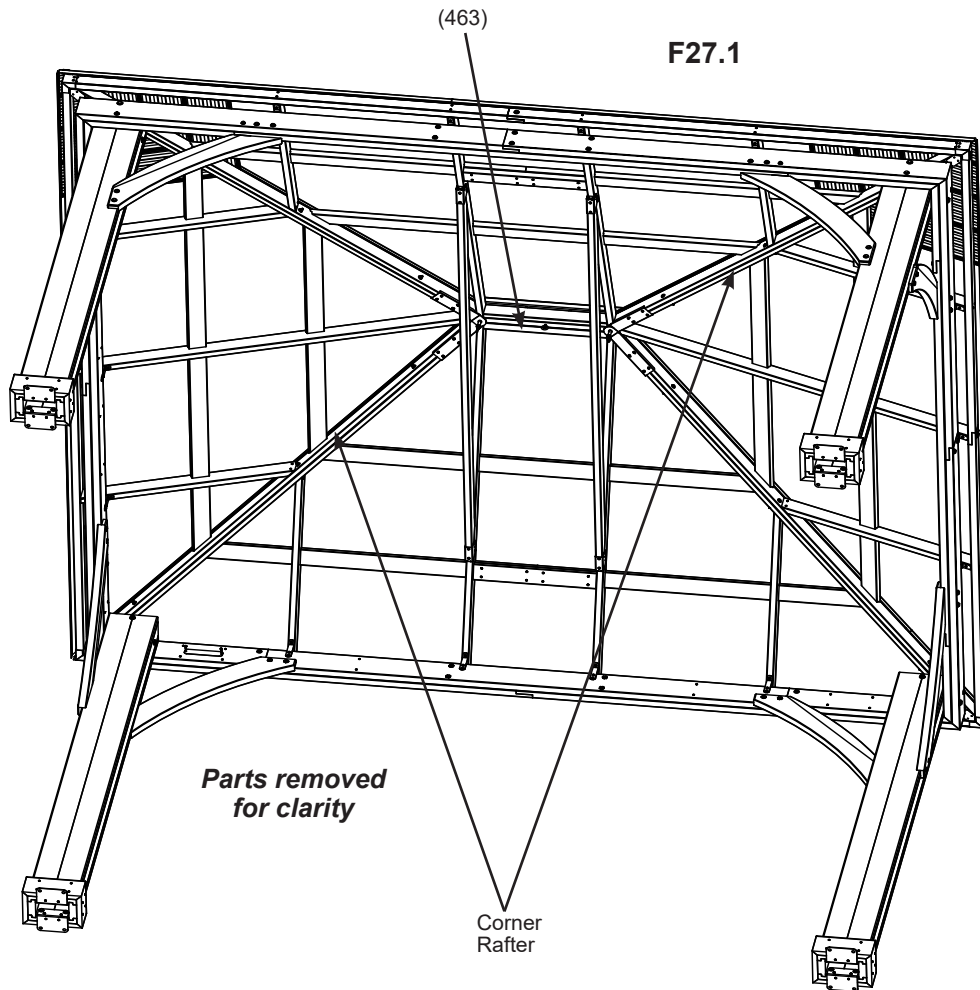


# Step 27: Metal Hooks and Plaque Part 1



**A:** Two 50 mm Hooks are included with this unit for attaching wiring. They can be placed anywhere along the Corner Rafters as needed. Pre-drill with a 1/8" drill bit before installing. (F27.1 and F27.2)

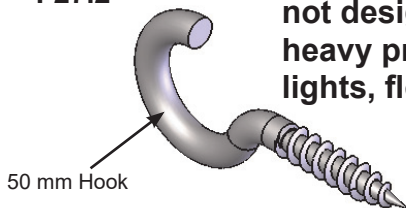
**B:** One Eye Lag is included with this unit for hanging items with a maximum weight of 22 lbs (10 kg). Pre-drill with a 1/8" drill bit into center of (463) then install Eye Lag. (F27.1 and F27.3)



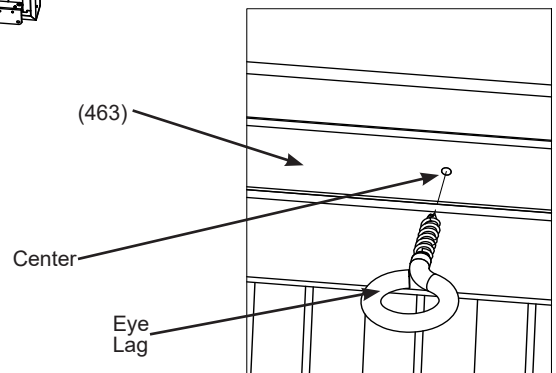
**Note: DO NOT ATTACH ANY PRODUCT WHICH WEIGHS GREATER THAN 22 LBS (10 KG) TO THE EYE LAG**

**Note: We have provided two 50 mm hooks for optional use to hold in place any wires if required. These hooks are not designed to hold any heavy products such as lights, flower pots, etc.**

F27.2



F27.3



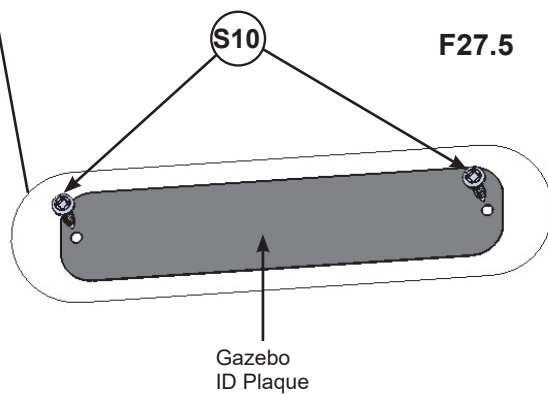
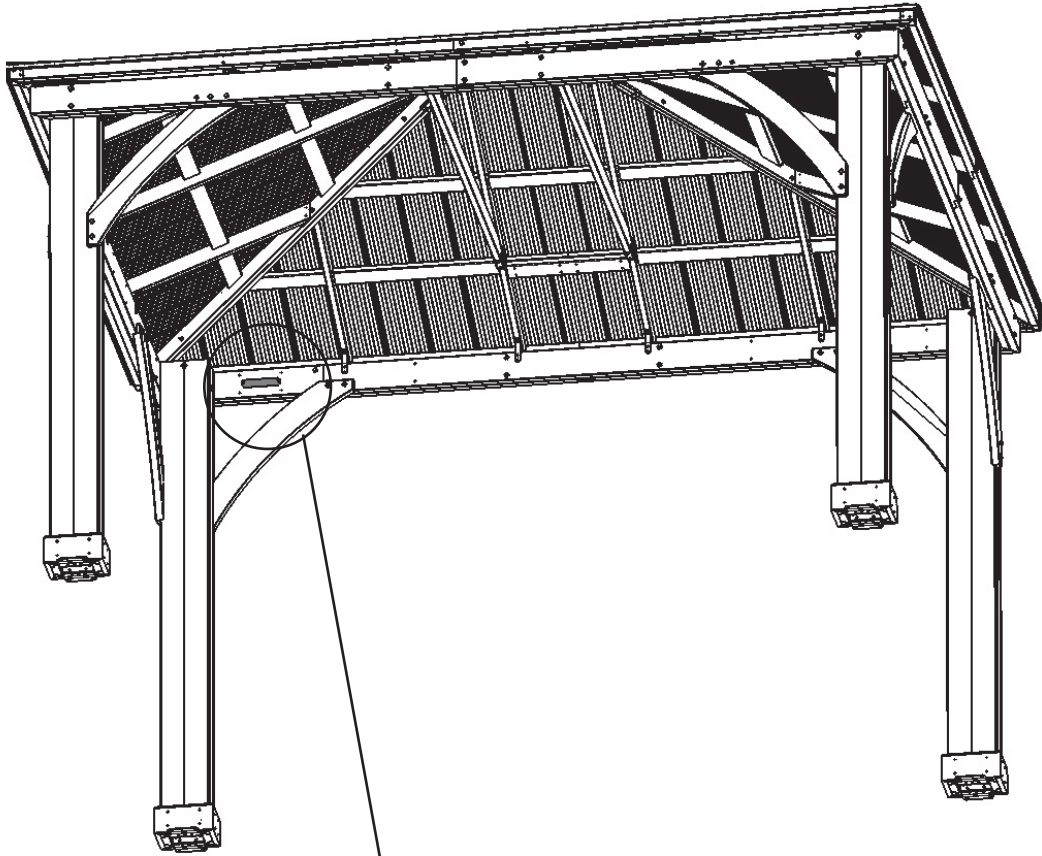
### Hardware

- 2 x 50 mm Hooks
- 1 x Eye Lag

## Step 27: Metal Hooks and Plaque Part 2

**C:** Attach Gazebo ID Plaque to a prominent location on your gazebo with two S10. This provides warnings concerning safety and important contact information. (F27.4 and F27.5)

F27.4



### Components

1 x Gazebo ID Plaque

### Hardware

2 x S10 #8 x 1" Pan Screw

# YARDISTRY®

Yardistry® 375 Sligo Road West, P.O. Box 10, Mount Forest, ON Canada N0G 2L1

Distributed by:  
Costco Wholesale Corporation  
P.O. Box 34535  
Seattle, WA 98124-1535  
USA  
1-800-774-2678  
www.costco.com

Costco Wholesale Canada Ltd.\*  
415 W. Hunt Club Road  
Ottawa, Ontario  
K2E 1C5, Canada  
1-800-463-3783  
www.costco.ca

\* faisant affaire au Québec sous  
le nom les Entrepôts Costco

Importado por:  
Importadora Primex S.A. de C.V.  
Blvd. Magnocentro No. 4  
San Fernando La Herradura  
Huixquilucan, Estado de México  
C.P. 52765  
RFC: IPR-930907-S70  
(55)-5246-5500  
www.costco.com.mx

Costco Wholesale Australia Pty Ltd  
17-21 Parramatta Road  
Lidcombe NSW 2141  
Australia  
www.costco.com.au

Costco Wholesale UK Ltd /  
Costco Online UK Ltd  
Hartspring Lane  
Watford, Herts  
WD25 8JS  
United Kingdom  
01923 213113  
www.costco.co.uk

Costco Wholesale Spain S.L.U.  
Polígono Empresarial Los Gavilanes  
C/ Agustín de Betancourt, 17  
28906 Getafe (Madrid) España  
NIF: B86509460  
900 111 155  
www.costco.es

Costco Wholesale Iceland ehf.  
Kauptún 3-7, 210 Gardabaer  
Iceland  
www.costco.is

Costco France  
1 avenue de Bréhat  
91140 Villebon-sur-Yvette  
France  
01 80 45 01 10  
www.costco.fr

Costco Wholesale Japan Ltd.  
2 Kakuchi, 2 Gaiku, Kaneda-Nishi  
361 Urakura, Kisarazu shi  
Chiba, 292-0007 Japan  
0570-200-800  
www.costco.co.jp

Costco Wholesale Korea, Ltd.  
40, Iljik-ro  
Gwangmyeong-si  
Gyeonggi-do, 14347, Korea  
1899-9900  
www.costco.co.kr

Costco Wholesale New Zealand Limited  
2 Gunton Drive  
Westgate  
Auckland 0814  
New Zealand  
www.costco.co.nz

Costco (China) Investment Co., Ltd.  
Room 01 Mezzanine  
No. 5178, Kang Xin Highway  
Pudong New District  
Shanghai  
China 201315  
+86-21-6257-7065

Costco Wholesale Sweden AB  
Box 614  
114 11 Stockholm  
Sweden  
www.costco.se









## Customer Registration Card - Carte d'inscription du client - Tarjeta de Registro del Cliente

First Name - Prénom - Primer Nombre	Initial - Initiale - Inicial	Last Name - Nom de famille - Apellido

Street - Rue - Calle	PO Box - Boîte postale - Casilla postal	Apt. No. - App.

City - Ville - Ciudad	State/Province - État/Province - Estado/Provincia

ZIP/Postal Code - ZIP/Code postal - Código Postal	Country - Pays - País

E-mail Address - Adresse courriel - Dirección de E-mail	Telephone Number - N° de téléphone - No. de Teléfono

Model Name - Nom du modèle - Nombre del Modelo	Model Number (from front cover) - N° du modèle (page de couverture) - Número de Modelo (de la portada)

Date of Purchase - Date d'achat - Fecha de Compra (mm/dd/yyyy) (mm/jj/aaaa) (mm/dd/aaaa)	Place of Purchase - Lieu d'achat - Comprado a

Comments - Commentaires - Comentarios :

### Mail To - Envoyer par courrier à - Enviar por Correo a:

Yardistry  
375 Sligo Road West, PO Box 10  
Mount Forest, Ontario, Canada, N0G 2L0  
Attention: Consumer Relations  
À l'attention de : Service à la clientèle  
Atención a: Servicio de Atención al Cliente

### Online Registration - Enregistrement en ligne - Registro online:

[www.yardistrystructures.com/warranty](http://www.yardistrystructures.com/warranty)

1.888.509.4382

Hours/ Heures/ Horas: 8:30 am - 5:00 pm EST  
(excl. holidays/ hors jours fériés/ excepto los días festivos)

English and French Spoken / Anglais et français parlés / Inglés y francés hablado

Yardistry would like to say "Thank you" for your time and feedback.

Yardistry aimerait vous remercier d'avoir pris le temps de répondre au sondage.

Yardistry quiere "Agradecerle" por su tiempo y su opinión.