

16519



STOP

DO NOT RETURN TO THE STORE!

If you discover missing or damaged parts, or if you have questions about the building process, please reach out to us directly for the fastest service.

24/7 Support

help.backyardproducts.com



- Answers to frequently asked questions
- Technical assistance and how-to videos
- Submit a help request
- Request replacement parts

Business Hours

(734) 242-6900

Monday - Friday 8:00am - 6:00pm EST
Saturday - Sunday Closed



Did you enjoy building your shed?

JOIN OUR TEAM

AND MAKE UP TO \$1,500/WEEK*

Call a Recruiter Today! 734-365-7000



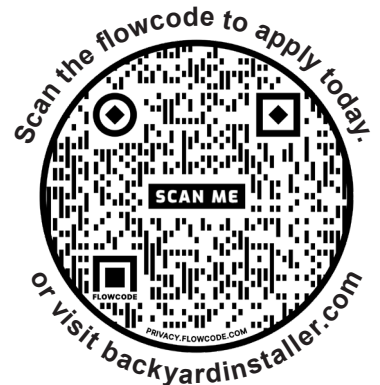
Flexible schedule



No selling,
just building



Bonus incentives
available

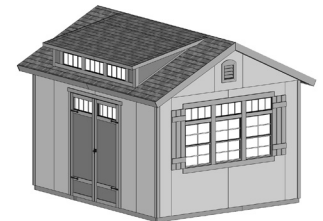


*based on number of completed installations

(This page intentionally left blank.)

GABLE 10' x 12' (305 x 366 cm)

ACTUAL FLOOR SIZE IS 120 x 144" (304,8 x 365,8 cm)

KEEP THIS MANUAL FOR FUTURE REFERENCE

DOOR LOCATION OPTION

⚠ IMPORTANT! ⚠**READ INSTRUCTIONS THOROUGHLY PRIOR TO BEGINNING ASSEMBLY.****BEFORE YOU BEGIN****• BUILDING RESTRICTIONS AND APPROVALS**

Be sure to check local building department and homeowners association for specific restrictions and/ or requirements before building.

• ENGINEERED DRAWINGS

Contact our Customer Service Team if engineered drawings are needed to pull local permits.

• SURFACE PREPARATION

To ensure proper assembly you must build your shed on a level surface. Recommended methods and materials to level your shed are listed on page 9.

• CHECK ALL PARTS

Inventory all parts listed on pages 4 - 8.







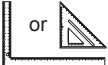

• ADDITIONAL MATERIALS








You will need additional materials to complete your shed. See page 3 for required and optional materials and quantities.

*****CONTACT OUR CUSTOMER SERVICE TEAM
IF ANY PARTS ARE MISSING OR DAMAGED*******Call: 1-734-242-6900 email: customerservice@backyardproducts.com**






TOOLS

Required

- Phillips Screwdriver 
- Drill / Driver 
 - 1/8" Drill Bit
 - 1/4" Drill Bit
 - 5/16" Drill Bit
 - 1/2" Drill Bit
 - #2 Phillips Drive Bit
- Hammer 
- Level 
- Pencil 
- Tape Measure 
- Square  or 

- Utility Knife 
 - Shingle Blades 
- Caulk Gun 
- Paint Tools 
- Safety Glasses 
- Hand Saw 
- Ladder 

Optional

- Tool Belt/ Nail Pouch 
- Tin Snips (for drip edge) 
- Chalk Line 
- Nail Gun 
 - gun nails
- Gloves 

Safety! Always use approved safety glasses during assembly.

HELPFUL REMINDER SYMBOLS

Look for these symbols for helpful reminders throughout this manual.



= Assistance Required; two or more people.



= Ensure squareness.



= Important required step or operation.



= Helpful assembly hint.



= Mark part with pencil.



BEGIN = Beginning of steps for assembly or installation.



FINISH = You have finished the assembly or installation.

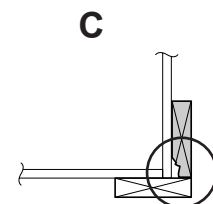
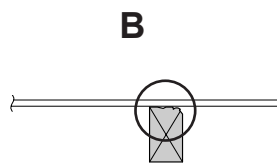
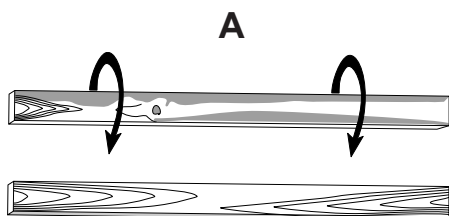


= Level

ORIENT LUMBER AND TRIM FOR BEST APPEARANCE

Framing lumber is graded for structural strength and not appearance. Exterior trim is graded for one good side.

Always install the material leaving the best edge and best surface visible. Please remember that these blemishes in no way negatively affect the strength or integrity of our product. (See Fig. A, B, C.)



ADDITIONAL MATERIALS

FOUNDATION OR FLOOR MATERIALS

- This shed does not include leveling materials.
- See the FLOOR LEVELING section on page 9 for recommended methods and suggested materials to properly level your floor, as this will vary depending on your specific site.


COMPLETING YOUR SHED You will need these additional materials:

3-TAB SHINGLES 7 Bundles

1" GALVANIZED ROOFING NAILS.... 4 Lbs
For shingles.

PAINT FOR SIDING 3 Gallons
Use 100% acrylic latex exterior paint. (2) coats recommended.

PAINT FOR TRIM 3 Quarts
Use 100% acrylic latex exterior paint.

CAULK 3 Tubes
Use acrylic latex exterior caulk that is paintable. 

OPTIONAL MATERIALS

DRIP EDGE 60 Feet

#15 ROOFING FELT
To cover 196 Sq. Ft. of roof area.

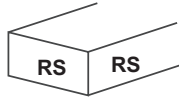
1" GALVANIZED ROOFING NAILS.....1/4 Lb
For roofing felt.

REFER TO THE BACK OF THIS MANUAL AND THE MANUFACTURER’S INSTRUCTIONS FOR INSTALLATION OF SHINGLES, DRIP EDGE AND FELT.

NOTES

PARTS IDENTIFICATION AND SIZES

Part identification letters are stamped on some parts.



Check these locations for part stamp.

Treated lumber is stamped:

TREATED

WOOD SIZE CONVERSION CHART

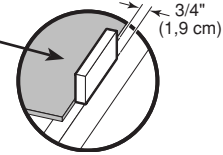
Nominal Board Size	Actual Size
2 x 4	1-1/2" x 3-1/2" (3,8 x 8,9 cm)
1 x 4	3/4" x 3-1/2" (1,9 x 8,9 cm)
2 x 3	1-1/2" x 2-1/2" (3,8 x 6,3 cm)
1 x 3	3/4" x 2-1/2" (3,8 x 6,3 cm)

PARTS LIST



INVENTORY YOUR PARTS before you begin.

We suggest sorting parts by the category they are listed in.



WALLS

- x1 **GAA** 1 x 3 x 5" (2,5 x 7,6 x 12,7 cm) Gauge Block for 3/4" (1,9 cm) measurement
- x1 **AMA** 2 x 4 x 7-1/2" (5,1 x 10,2 x 35,6 cm)
- x5 **COA** 2 x 4 x 8" (5,1 x 10,2 x 20,3 cm)
- x6 **AO** 2 x 4 x 22-1/2" (5,1 x 10,2 x 57,1 cm)
- x3 **RL** 2 x 4 x 24" (5,1 x 10,2 x 61 cm)
- x1 **RR** 2 x 4 x 28" (5,1 x 10,2 x 71,1 cm)
- x4 **AFC** 2 x 4 x 27-1/4" (5,1 x 10,2 x 69,2 cm)
- x4 **STL** 2 x 4 x 44-1/2" (5,1 x 10,2 x 113 cm)
- x2 **SP** 2 x 4 x 48" (5,1 x 10,2 x 121,9 cm)
- x1 **OSB** 7/16 x 3-1/4 x 58-3/4" (1,1 x 8,3 x 149,2 cm) OSB
- x2 **KMA** 2 x 4 x 59" (5,1 x 10,3 x 149,9 cm)
- x2 **SX** 2 x 4 x 60" (5,1 x 10,3 x 152,4 cm)
- x6 **YFA** 2 x 4 x 68-1/2" (5,1 x 10,2 x 174 cm)
- x29 **TK** 2 x 4 x 80" (5,1 x 10,2 x 203,2 cm)
- x2 **TO** 2 x 4 x 84" (5,1 x 10,2 x 213,4 cm)
- x3 **CTZ** 2 x 4 x 93-3/4" (5,1 x 10,2 x 238,1 cm)
- x1 **UN** 2 x 4 x 94-1/2" (5,1 x 10,2 x 240 cm)
- x2 **TP** 2 x 4 x 96" (5,1 x 10,2 x 243,8 cm)

EAVE & RAFTERS

- x2 **OSB OR WOOD GRAIN** 6" x 24" (15,2 x 61 cm) OSB OR WOOD GRAIN ⚠
- x8 **OSB OR WOOD GRAIN** 4-13/16" x 24" (12,2 x 61 cm) OSB OR WOOD GRAIN ⚠
- x4 **KDA** 2 x 4 x 2-7/8" (5,1 x 10,2 x 7,3 cm)
- x4 **GPC** 2 x 4 x 4-3/8" (5,1 x 10,2 x 11,1 cm)
- x8 **CLA** 2 x 4 x 4-7/8" (5,1 x 10,2 x 12,4 cm)
- x5 **BVT** 2 x 4 x 61-1-4" (5,1 x 10,2 x 155,6 cm)
- x8 **FLM** 2 x 4 x 73-3/4" (5,1 x 10,2 x 187,3 cm)
- x9 **DPN** 2 x 4 x 73-3/4" (5,1 x 10,2 x 187,3 cm)
- x4 **XMB** 2 x 4 x 80-5/8" (5,1 x 10,2 x 204,8 cm)

DOOR

- x4 **FA** 19/32 x 3 x 22-5/8" (1,5 x 7,6 x 57,5 cm)
- x1 **WR** 19/32 x 2-1/2 x 63" (1,5 x 6,3 x 160 cm)
- x2 **OO** 69" (175,3) Door Stiffener



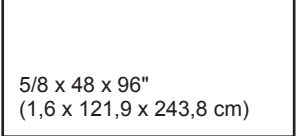
FLOOR FRAMING

- x2 TREATED 2 x 4 x 24" (5,1 x 10,2 x 61 cm)
- x9 TREATED 2 x 4 x 45" (5,1 x 10,2 x 114,3 cm)
- x2 TREATED 2 x 4 x 48" (5,1 x 10,2 x 121,9 cm)
- x2 TREATED 2 x 4 x 72" (5,1 x 10,2 x 182,9 cm)
- x9 TREATED 2 x 4 x 93" (5,1 x 10,2 x 236,2 cm)
- x2 TREATED 2 x 4 x 96" (5,1 x 10,2 x 243,8 cm)

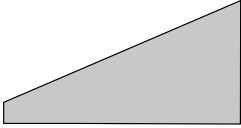
FLOOR PANELS

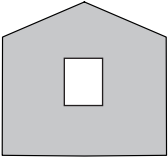
Floor panels are 5/8" (1,6 cm) thick.

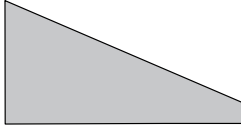

NOTE: Panel parts are not stamped.


- x1 
 5/8 x 23-7/8 x 48"
 (1,6 x 60,6 x 121,9 cm)
- x1 
 5/8 x 23-7/8 x 96"
 (1,6 x 60,6 x 243,8 cm)
- x3 
 5/8 x 48 x 96"
 (1,6 x 121,9 x 243,8 cm)

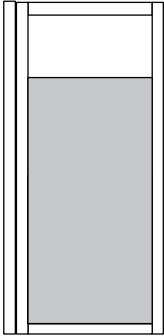
WALL PANELS / DOORS

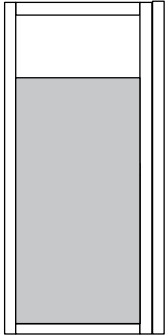
- 
 x2

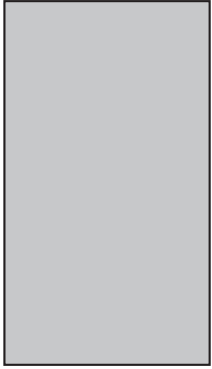
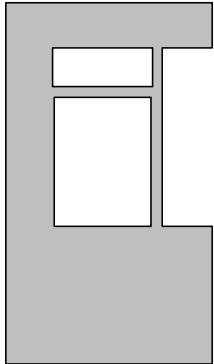

 x2

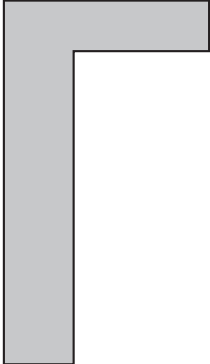

 x2
- 
 x3
 3/8 x 23-7/8 x 84"
 (1 x 60,6 x 213,4 cm)

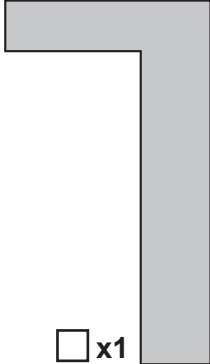

 x2
 3/8 x 11-7/8 x 84"
 (1 x 30,2 x 213,4 cm)



 x1
 LEFT DOOR

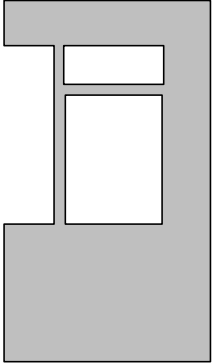

 x1
 RIGHT DOOR


 x5
 3/8 x 48 x 84"
 (1 x 121,9 x 213,4 cm)
- 
 x1
 3/8 x 48 x 84"
 (1 x 121,9 x 213,4 cm)


 x1
 3/8 x 48" x 84"
 (1 x 121,9 x 213,4 cm)


 x1
 3/8 x 48" x 84"
 (1 x 121,9 x 213,4 cm)

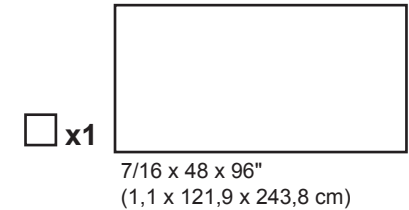
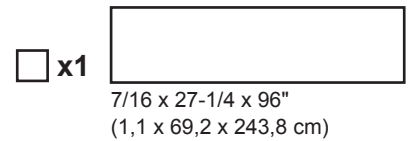
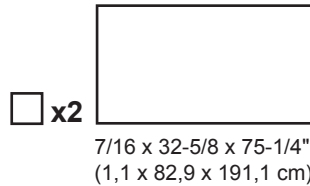
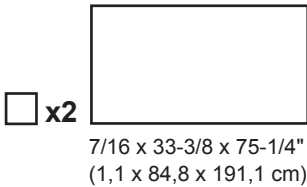
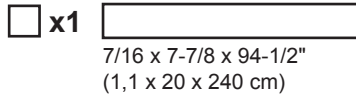

 x1
 3/8" x 2-1/2 x 23-1/4"
 (1 x 6,3 x 59,1 cm)


 x1
 3/8 x 48 x 84"
 (1 x 121,9 x 213,4 cm)

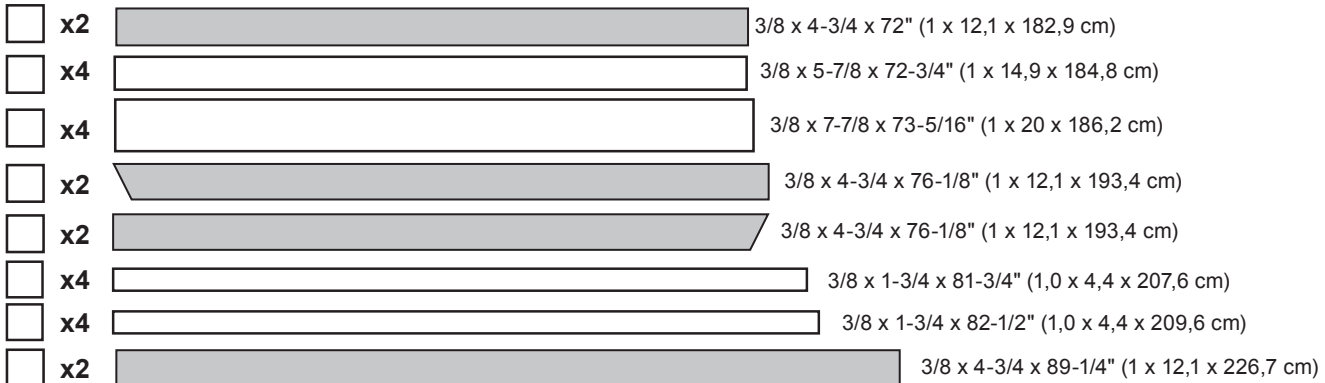
ROOF PANELS

Roof panels are 7/16" (1,1 cm) thick.

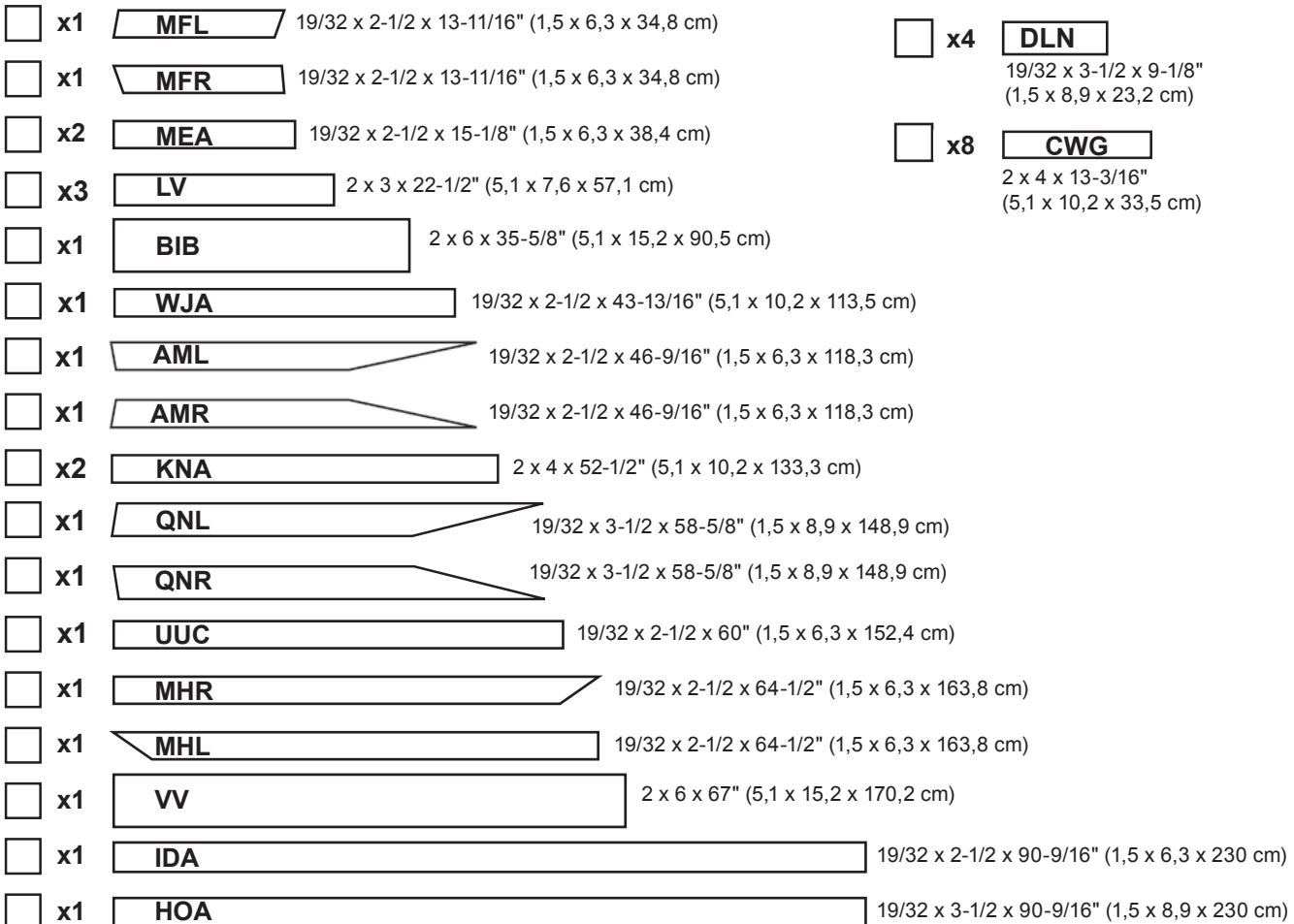
NOTE: Panel parts are not stamped.



TRIM - SOFFIT - FASCIA

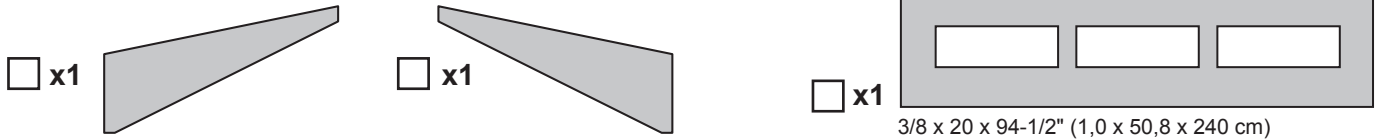


DORMER TRIM and FRAMING



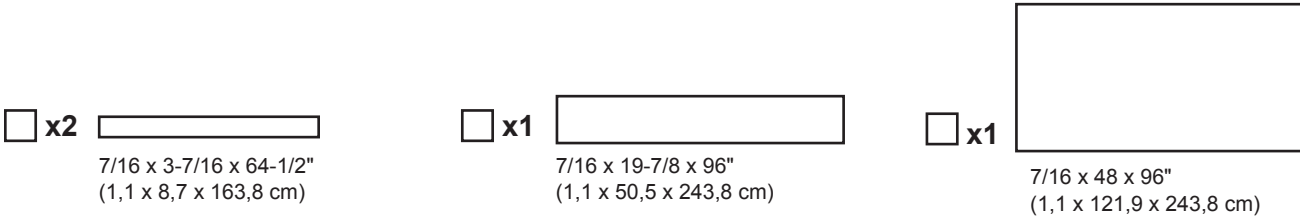
DORMER WALL PANELS

Dormer panels are 3/8" (1,1 cm) thick. **NOTE:** Panel parts are not stamped.

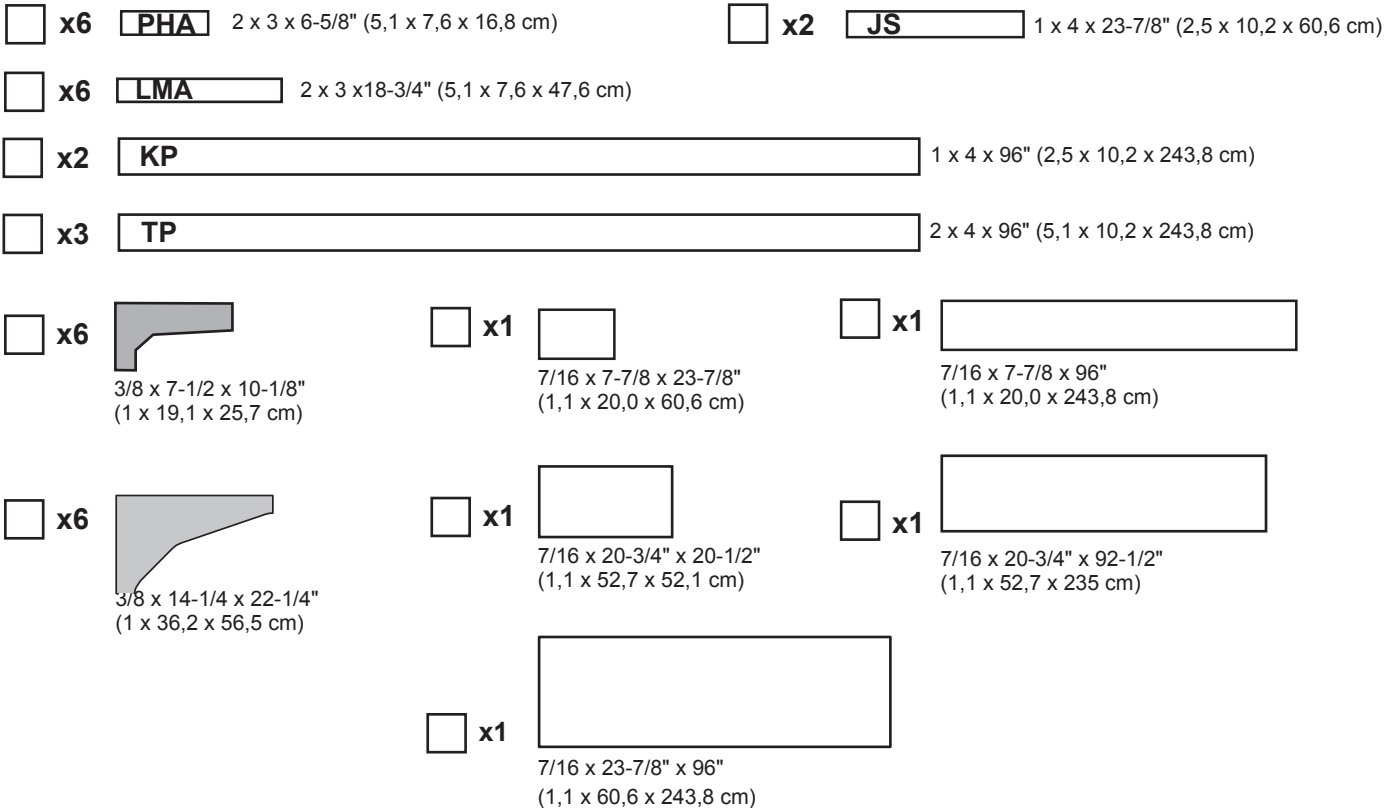


DORMER ROOF PANELS

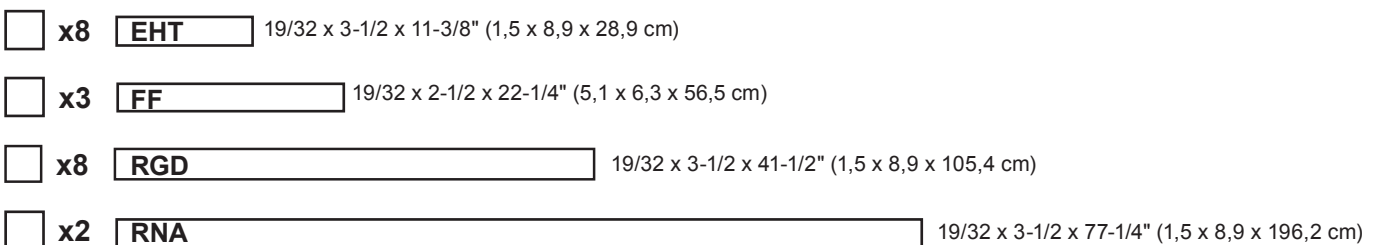
Roof panels are 7/16" (1,1 cm) thick. **NOTE:** Panel parts are not stamped.



SHELF - WORKBENCH - LOFT

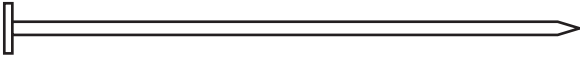
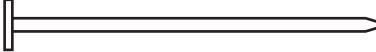


WINDOW TRIM & SHUTTERS

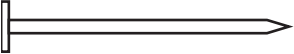






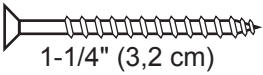
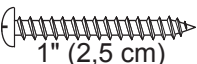
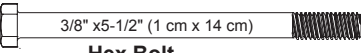




FASTENERS & HARDWARE

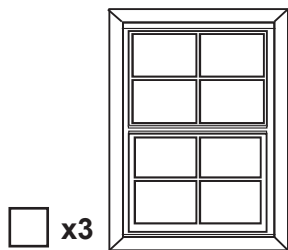
NAIL BOXES

- x8 BOXES**  3" (7,6 cm)
- x9 BOXES**  2" (5,1 cm)

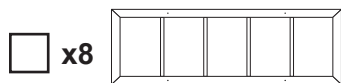
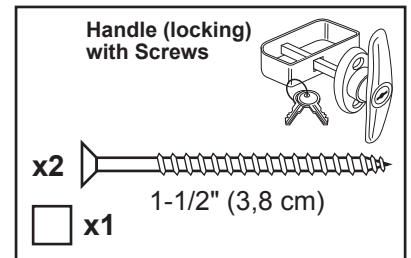
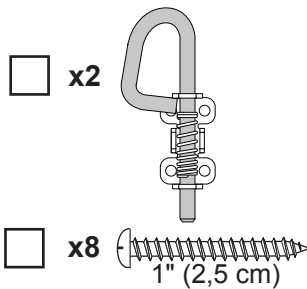
FASTENER/HARDWARE BAG

- | | |
|---|---|
| <ul style="list-style-type: none"> <input type="checkbox"/> x140  1-1/2" (3,8 cm) <input type="checkbox"/> x366  2" (5,1 cm) <input type="checkbox"/> x195  3" (7,6 cm) <input type="checkbox"/> x47  2" (5,0 cm) <input type="checkbox"/> x85  1-5/8" (4,1 cm) <input type="checkbox"/> x104  3/4" (1,9 cm) <input type="checkbox"/> x12  1" (2,5 cm) | <ul style="list-style-type: none"> <input type="checkbox"/> x25  1-1/4" (3,2 cm) <input type="checkbox"/> x8  1" (2,5 cm) <p>(NOT ACTUAL SIZE)</p> <ul style="list-style-type: none"> <input type="checkbox"/> x2  3/8" x 5-1/2" (1 cm x 14 cm)
Hex Bolt <input type="checkbox"/> x4  3/8" (1 cm)
Flat Washer <input type="checkbox"/> x2  3/8" (1 cm)
Lock Nut |
|---|---|

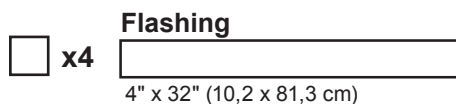
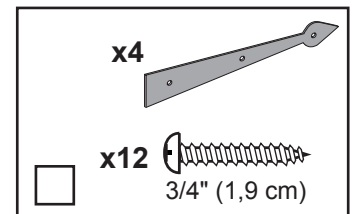
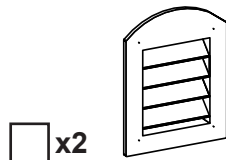
VENT/ DOOR HARDWARE/ WINDOW



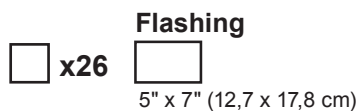
Window



Window



Flashing



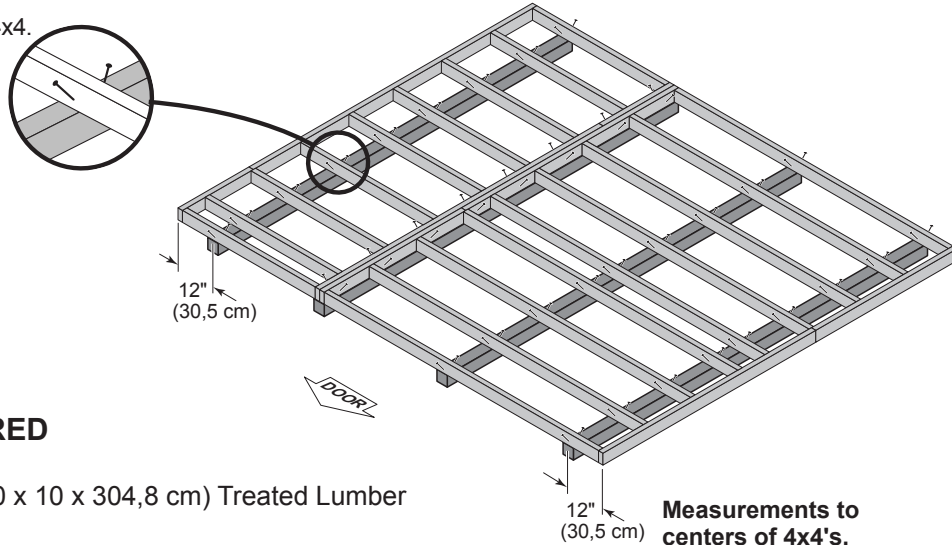
Flashing

FLOOR LEVELING OPTIONS

There are multiple ways to level your floor frame. Our recommended leveling method is shown below.
Leveling materials are not included in this kit.

PREFERRED METHOD - 4x4 TREATED RUNNERS

- 3" Screws angled into 4x4.
- (2) at each point frame and 4x4 touch.



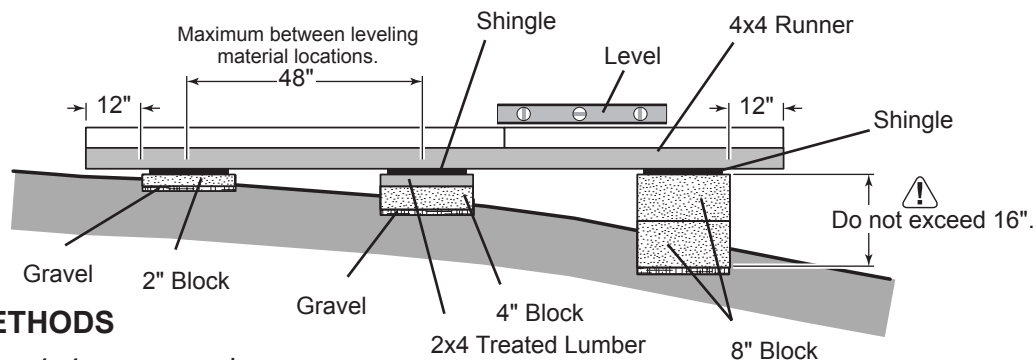
MATERIAL REQUIRED

x4 4 x 4 x 10' (10 x 10 x 304,8 cm) Treated Lumber

Fasteners for Frame to 4x4.
(3" Screws shown as one option.) Minimum (60) 3" screws / exterior grade.

Use only wood treated for ground contact and fasteners approved for use with treated wood.

Always support frame seams.



LEVELING METHODS

- Level under 4x4 runners only.
- Locate leveling material 12" from ends of runners and no more than 48" apart.
- Asphalt shingles should be used between 4x4 runners and blocks or treated lumber. Never use shingles in direct contact with ground.
- For best results and aiding in water drainage use gravel under each concrete block.

LEVELING MATERIALS

- Gravel
- Solid Masonry Blocks in 1", 2", 4" or 8" thickness
- 2x4 Treated Lumber
- Asphalt Shingles

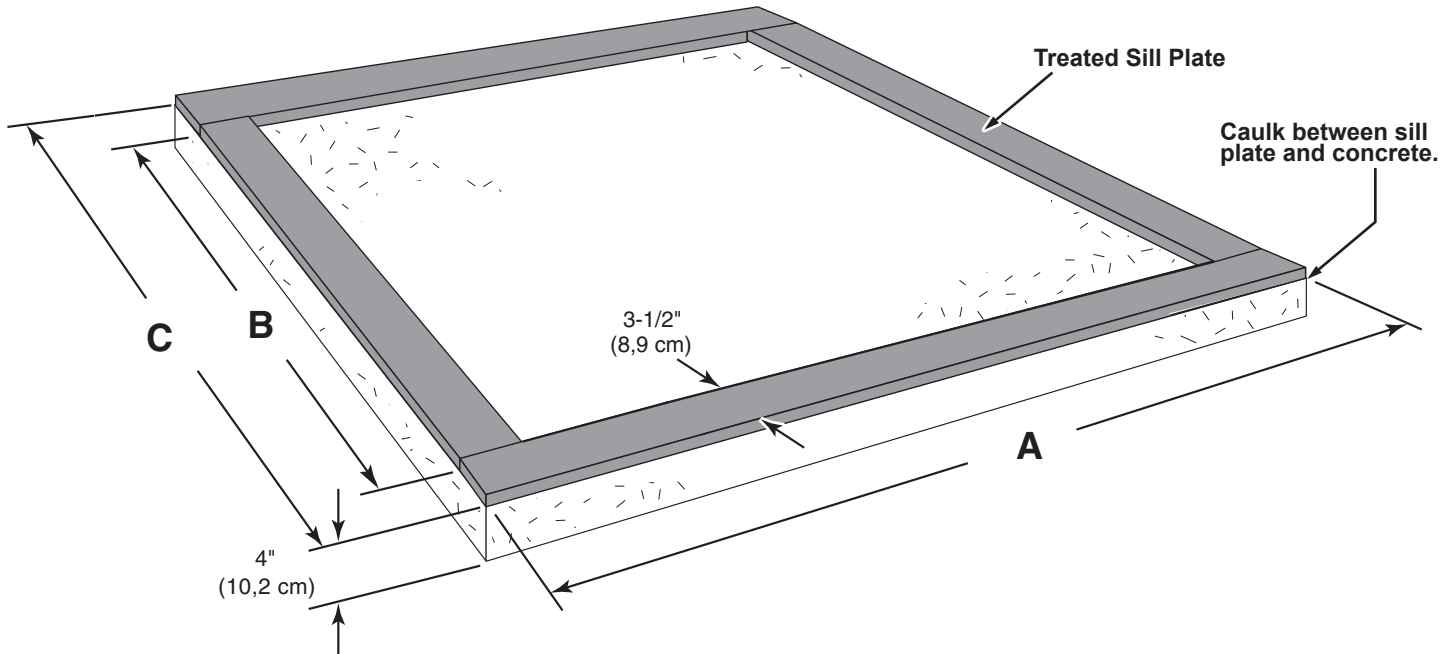
Leveling higher than 16" not recommended.

CONCRETE

- If you are building your shed on a concrete foundation see the following page.

CONCRETE FOUNDATION

Your kit contains all materials to construct a wooden floor. If you choose to install your kit on a concrete slab refer to the diagram below.



Building Size	Actual Size	A	B	C
10'x 12' (243,8 x 365,8 cm)	120" x 144" (304,8 x 365,8 cm)	120" (304,8 cm)	137" (348 cm)	144" (365,8 cm)

Requires:

- x2** 2 x 4 x 12' (5,1 x 10,2 x 365,8 cm) ⚠ **MUST be treated lumber.**
- x2** 2 x 4 x 10' (5,1 x 10,2 x 304,8 cm) ⚠ **MUST be treated lumber.**
- x1** Caulk


⚠ Allow new concrete slabs to cure for at least seven (7) days.


- A treated 2 x 4 (5,1 x 10,2 cm) sill plate is required when installing your shed on concrete. **Hint: Use treated lumber in your kit or purchase full length treated lumber.**
- Use a high quality exterior grade caulk beneath all sill plates.
- Fasten 2 x 4 (5,1 x 10,2 cm) sill plates to slab using approved concrete anchors (**fasteners not included**).
- Check local code for concrete foundation requirements.

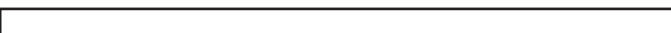
NOTES

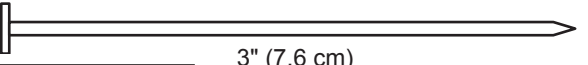
10' x 8' FLOOR FRAME

PARTS REQUIRED:

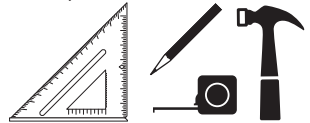
x2  2 x 4 x 72" (5 x 10 x 183 cm) Treated Wood

x2  2 x 4 x 48" (5 x 10 x 122 cm) Treated Wood

x9  2 x 4 x 93" (5 x 10 x 236,2 cm) Treated Wood

x40  3" (7,6 cm)

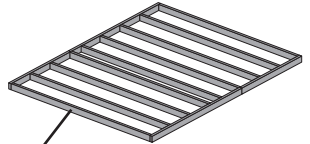
Look for
TREATED
Stamp



⚠ You will build two floor sections.

✓ **BEGIN**

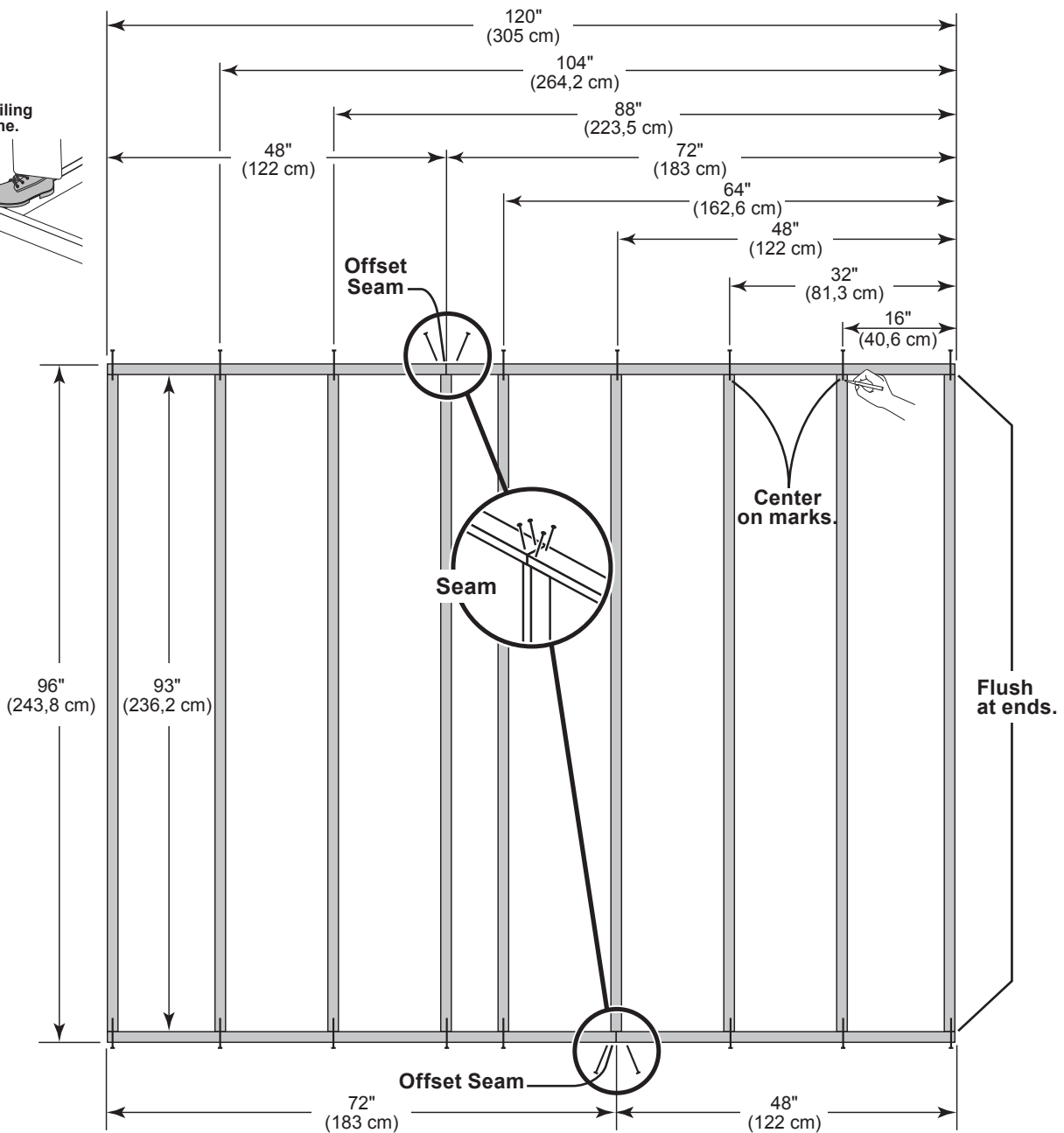
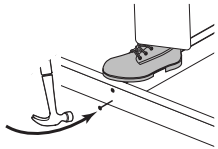
- 1 Orient parts as shown on flat surface. Measure and mark.
Use (2) 3" nails at each mark and (4) nails at seams.



Section 1





HINT:
For easier nailing
stand on frame.



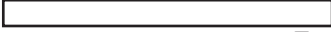
10' x 4' FLOOR FRAME

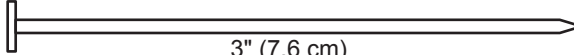
PARTS REQUIRED:

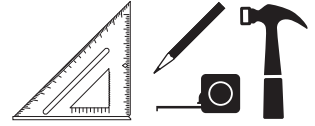
x2  2 x 4 x 96" (5 x 10 x 243,8 cm) Treated Wood

x2  2 x 4 x 24" (5 x 10 x 61cm) Treated Wood

Look for
TREATED
Stamp

x9  2 x 4 x 45" (5 x 10 x 114,3 cm) Treated Wood

x42  3" (7,6 cm)

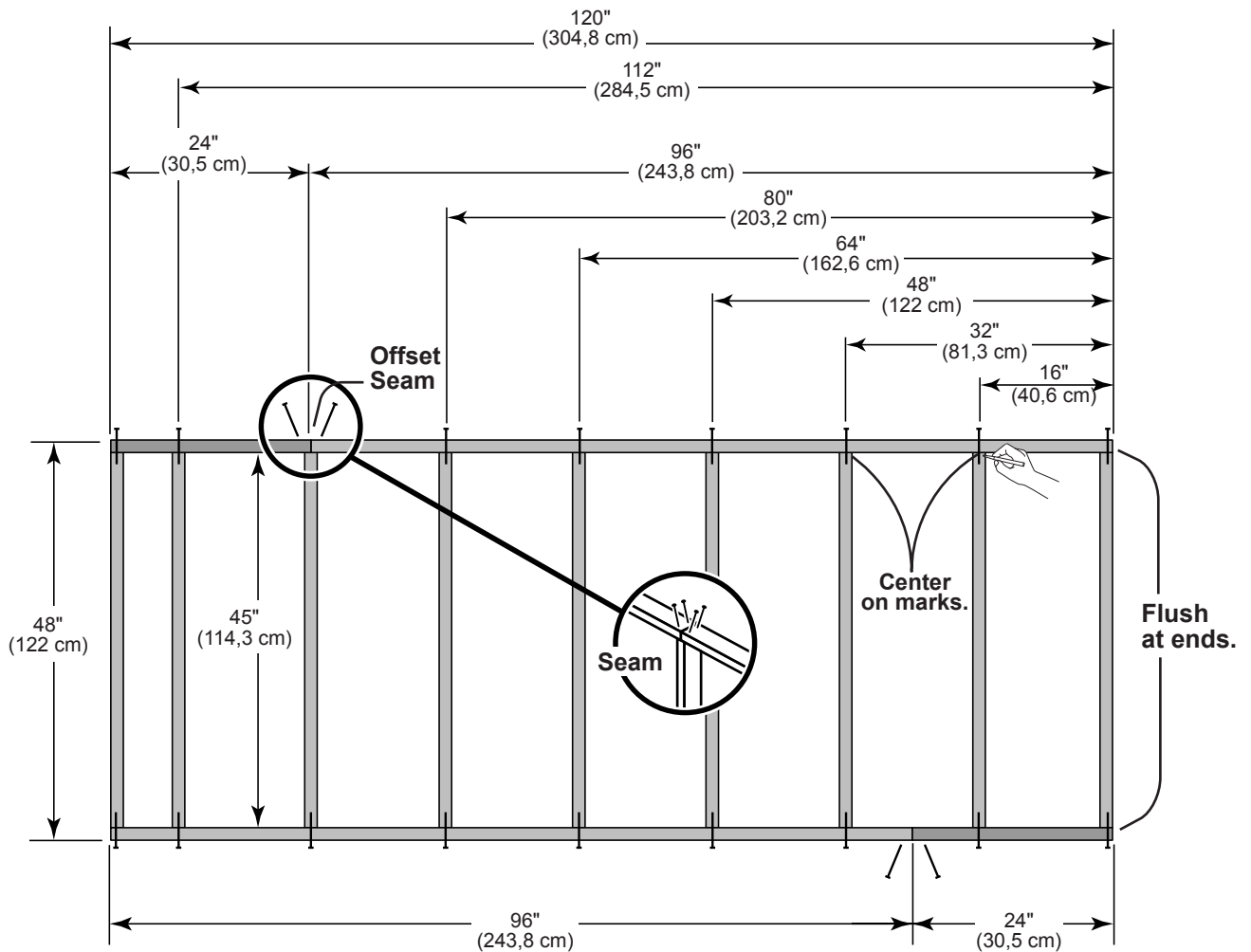
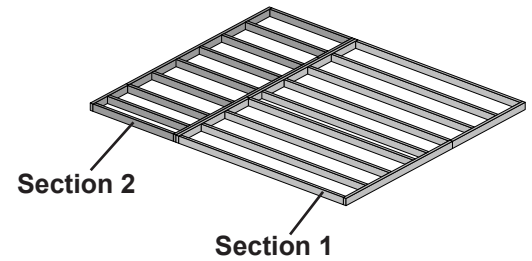
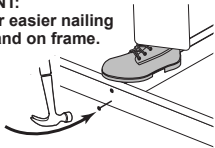


2 Orient parts as shown on flat surface to build floor section 2. Measure and mark.

Use (2) 3" nails at each mark and (4) nails at seams.

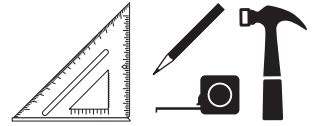
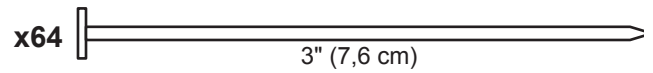


HINT:
For easier nailing
stand on frame.

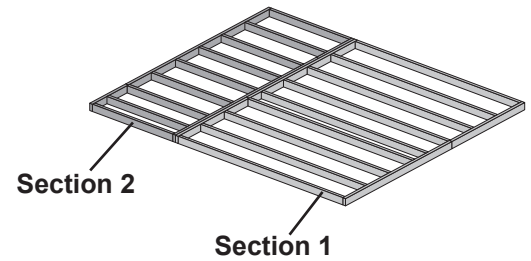


10' x 4' FLOOR FRAME

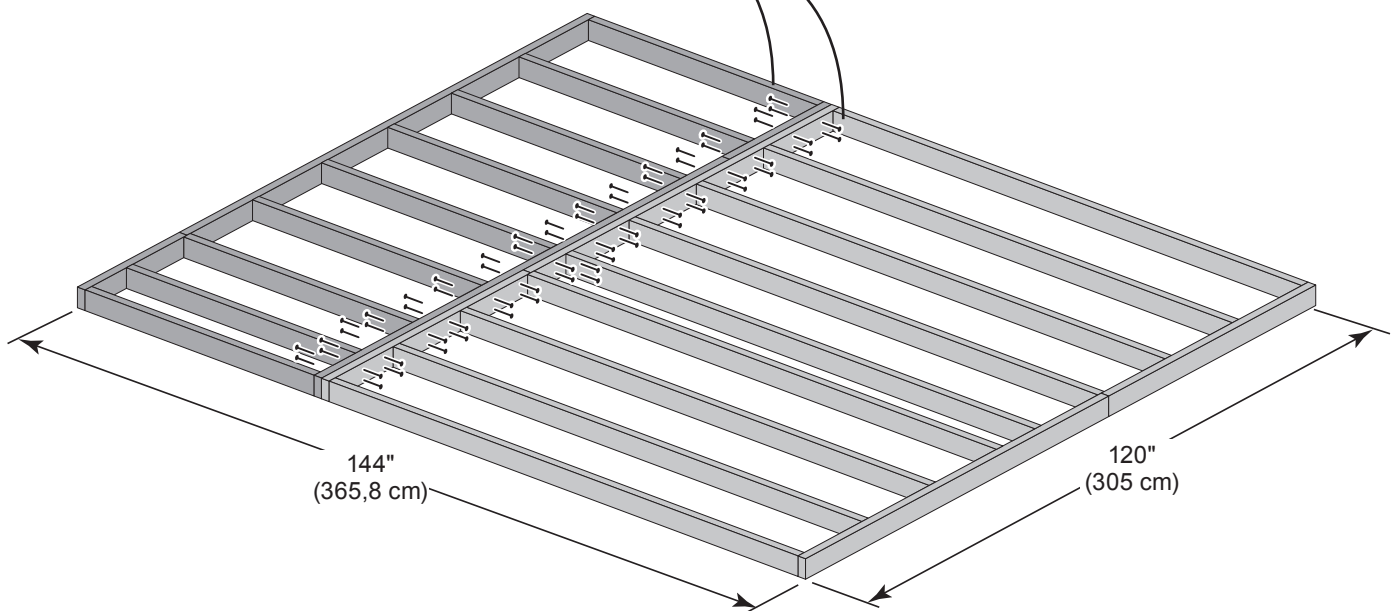
PARTS REQUIRED:



3 Fasten floor sections together with 3" nails as shown.



(4) Nails per side, stagger pattern.



You have finished your floor frame.

Proceed to level and square the floor frame.

STOP!



LEVEL AND SQUARE FLOOR FRAME

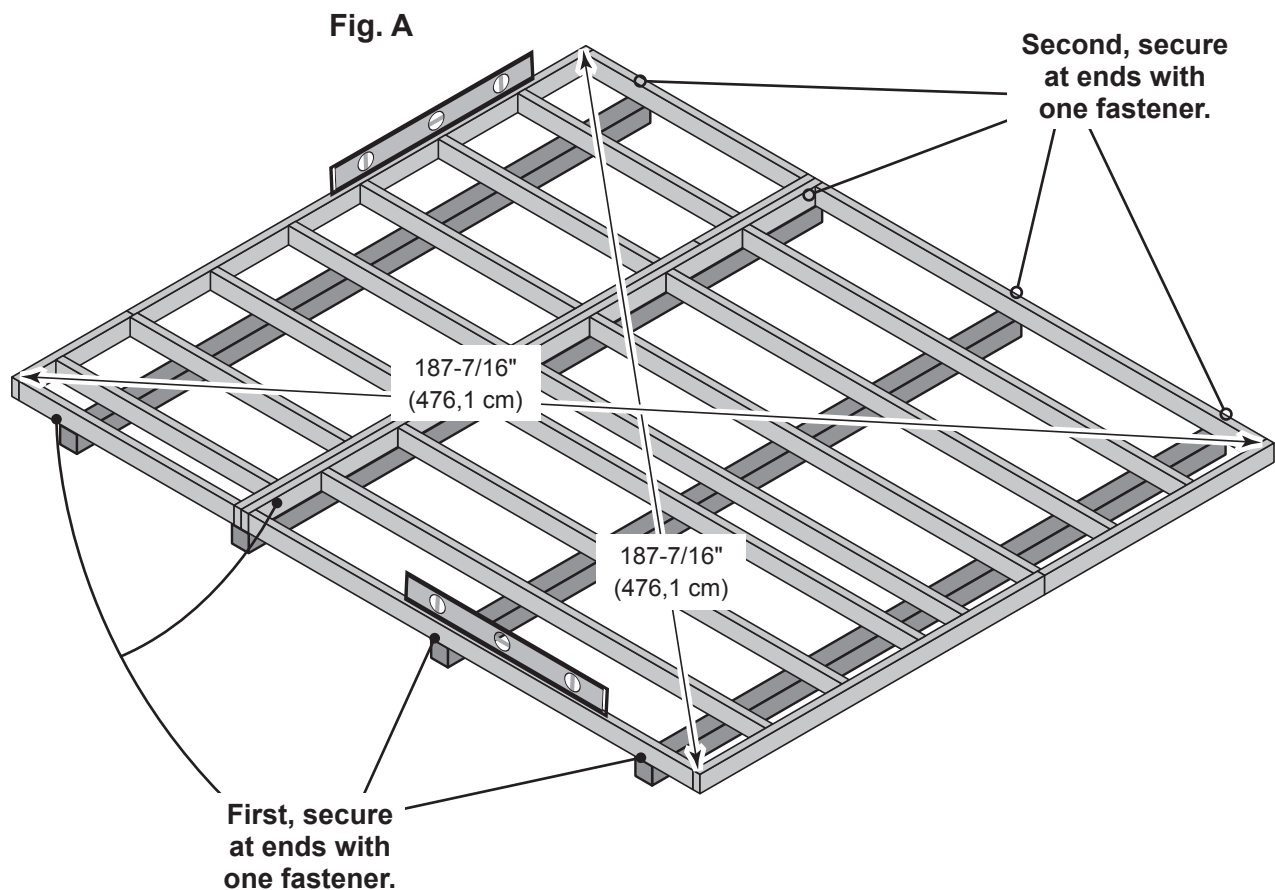


Before attaching floor decking, it is important to level and square the floor frame.
A level and square floor frame is required to correctly construct your shed.

STOP!

✓ **BEGIN**


- 1 See page 7 for the preferred floor leveling method.
- 2 Use level and check the frame is level before applying floor panels.
- 3 Check for frame squareness by measuring diagonally across corners. If the measurements are the same, the frame is square. The diagonal measurement will be approximately 187-7/16" (476,1 cm).
- 4 When the frame is level and square secure one side of frame to the 4x4 runners using (1) fastener at ends of each runner. Move to the opposite end of the frame. Secure the frame to 4x4 runners with (1) fastener at ends of each runner making sure the frame remains square (**Fig. A**).

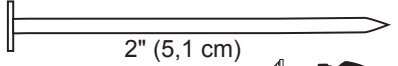


Once the floor frame is level and square fasten the frame to the 4x4 runners at each point the frame contacts the 4x4 runners.

FLOOR PANELS

PARTS REQUIRED:

x1  5/8 x 48 x 96"
(1,6 x 121,9 x 243,8 cm)

x62  2" (5,1 cm)



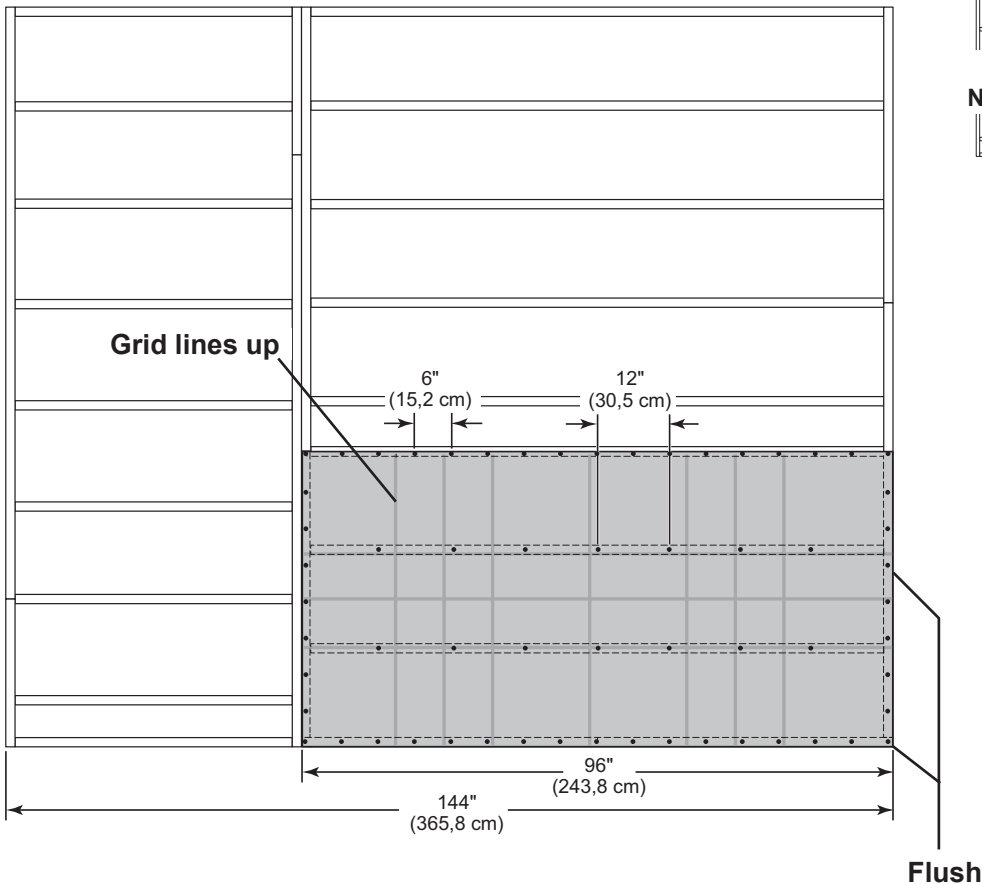
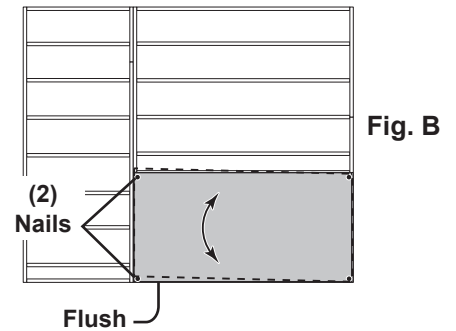
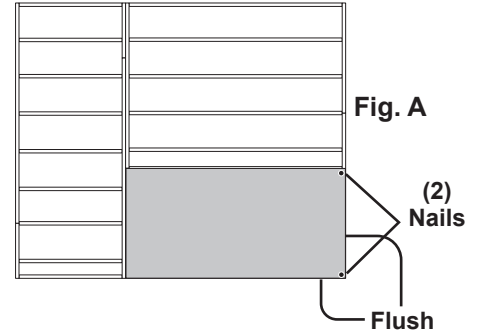
 **Ensure your floor frame is square by installing one panel and squaring the frame.**

✓ **BEGIN**

1 Attach the **48" x 96"** panel with the rough side up (painted-grid lines side) with the 48" edge and corner flush to the floor frame (**Fig. A**). Secure panel with (2) 2" nails in the corners.


2 Move to the opposite side.
Using the long edge of the panel as a lever,
move the panel side-to-side until the corner is flush
to the floor frame (**Fig. B**).
Secure panel with (2) 2" nails in the corners.

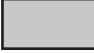
3 Continue attaching the panel with 2" nails spaced 6" apart on
edges and 12" apart inside panel.
Use a chalk line or use pre-painted grid lines to nail into joists
under panel.

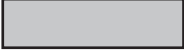


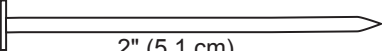
FLOOR PANELS

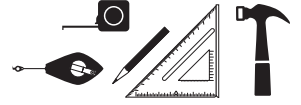
PARTS REQUIRED:

x2 
5/8 x 48 x 96"
(1,6 x 122 x 243,8 cm)

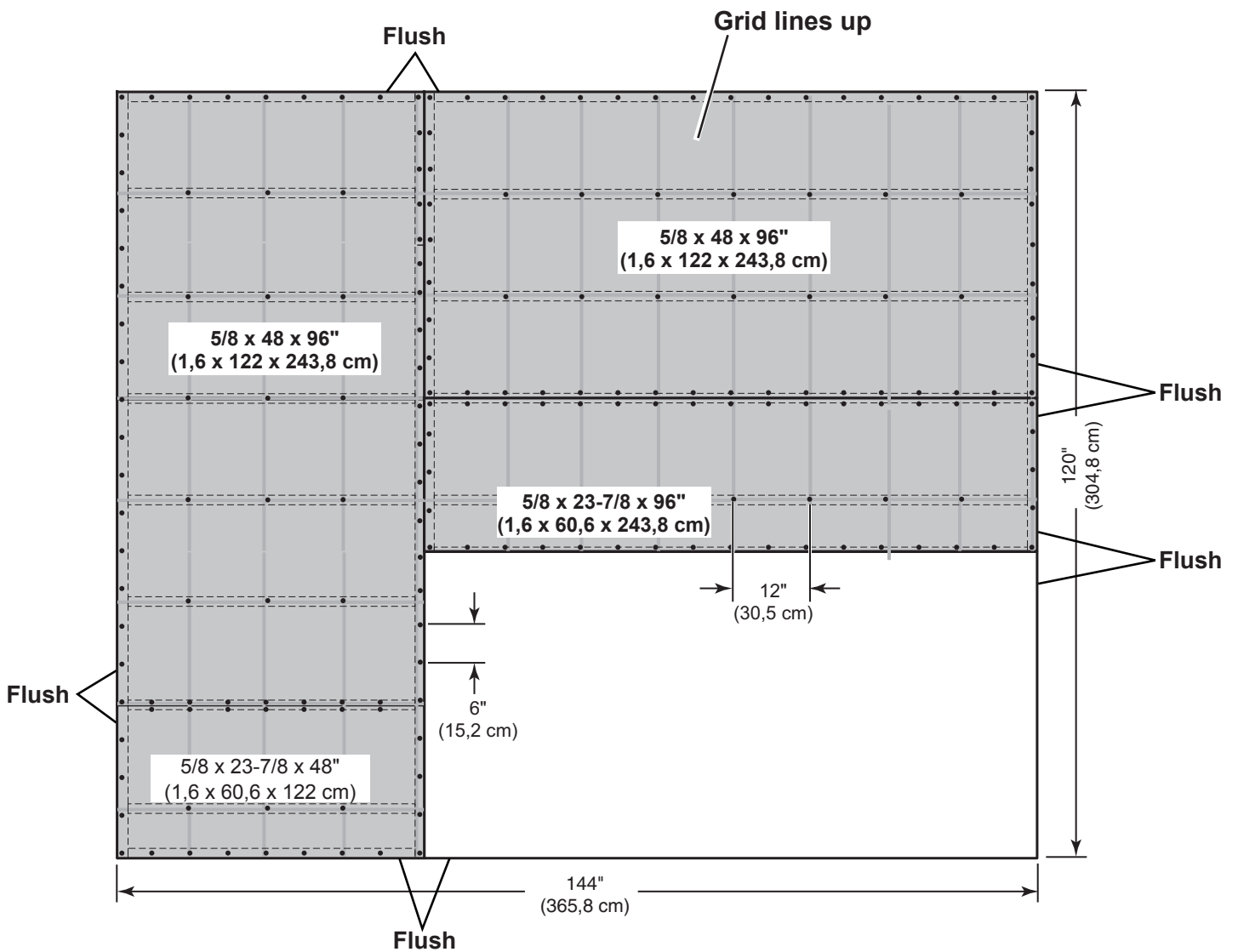
x1 
5/8 x 23-7/8 x 48"
(1,6 x 60,6 x 122 cm)

x1 
5/8 x 23-7/8 x 96"
(1,6 x 60,6 x 243,8 cm)

x199 
2" (5,1 cm)



- 5 Continue installing panels with rough side up (painted grid lines).
- 6 Use grid lines on panel for 2" nails 6" apart on edges, and 12" apart inside panels.

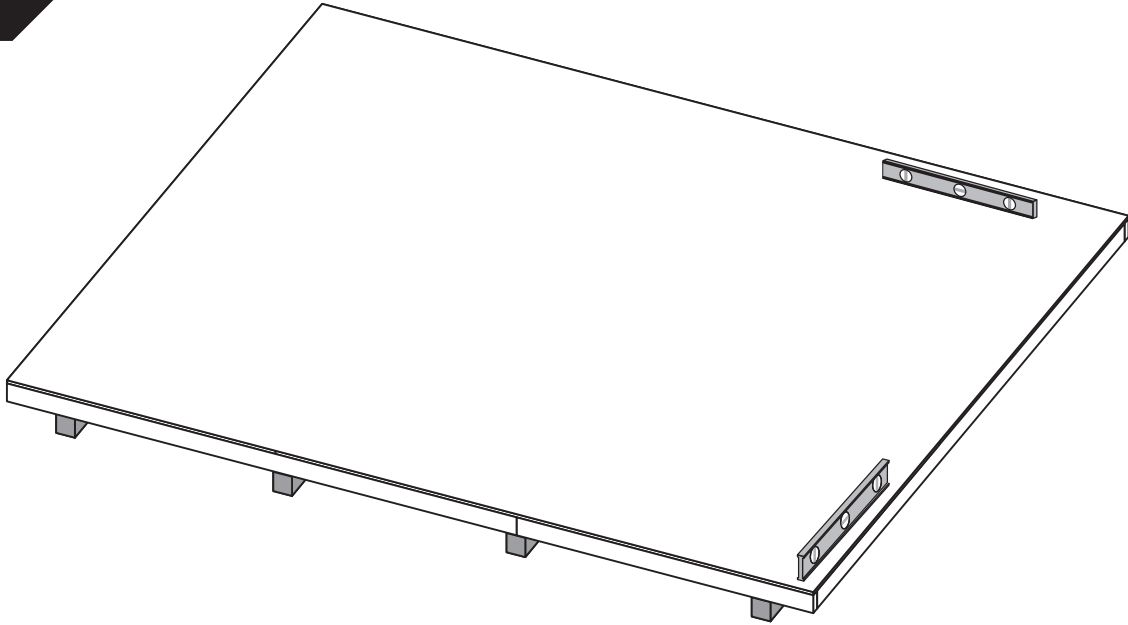


Your floor panels are now installed

IMPORTANT!

STOP!

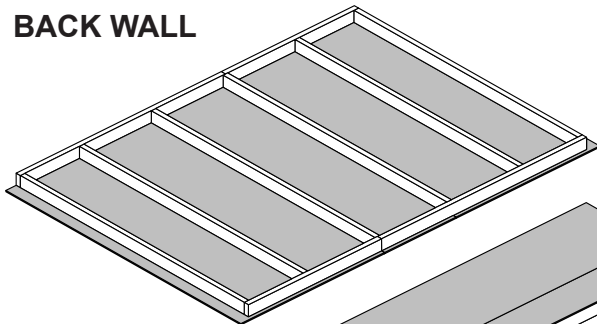
Check the floor frame is level after installing floor panels.
Re-level if needed.



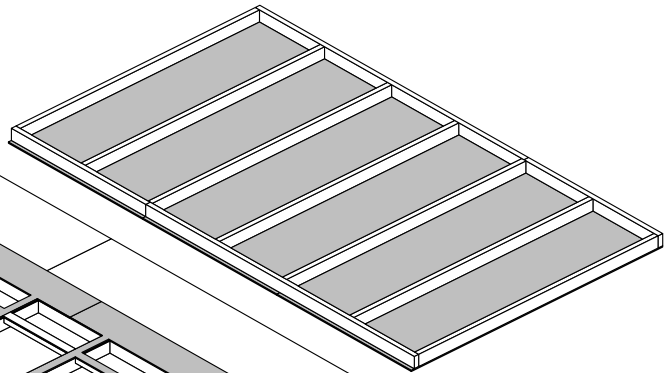
HINT:

- The floor should be used as a stable work surface for wall construction.
- Organize your assembly procedure during the build process to avoid over-handling of the walls.

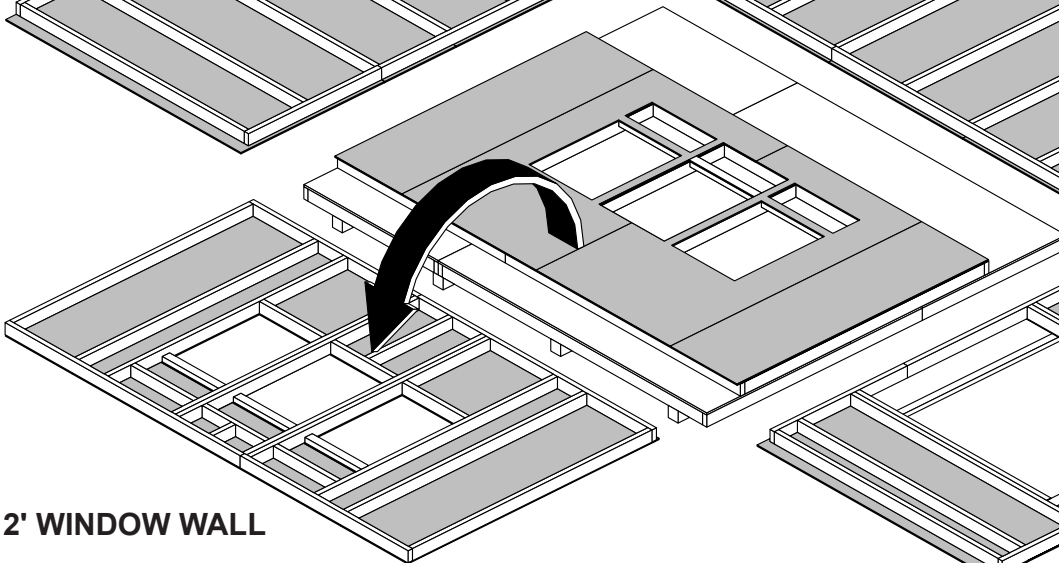
BACK WALL



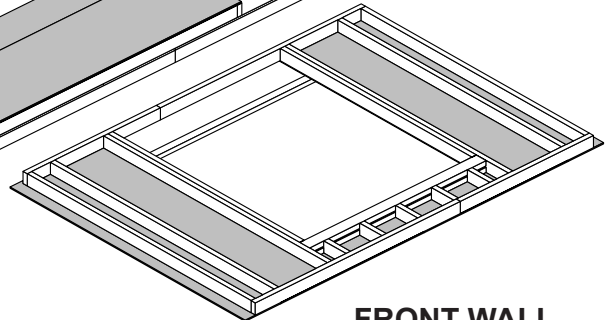
12' EAVE WALL



12' WINDOW WALL



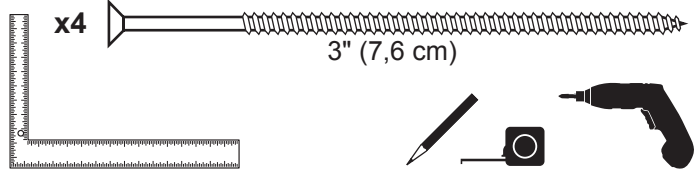
FRONT WALL



MAIN ROOF RAFTER ASSEMBLY

PARTS REQUIRED:

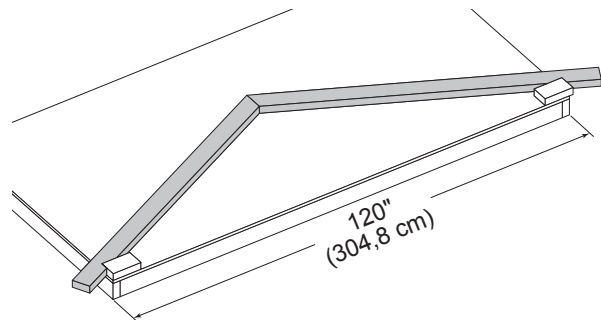
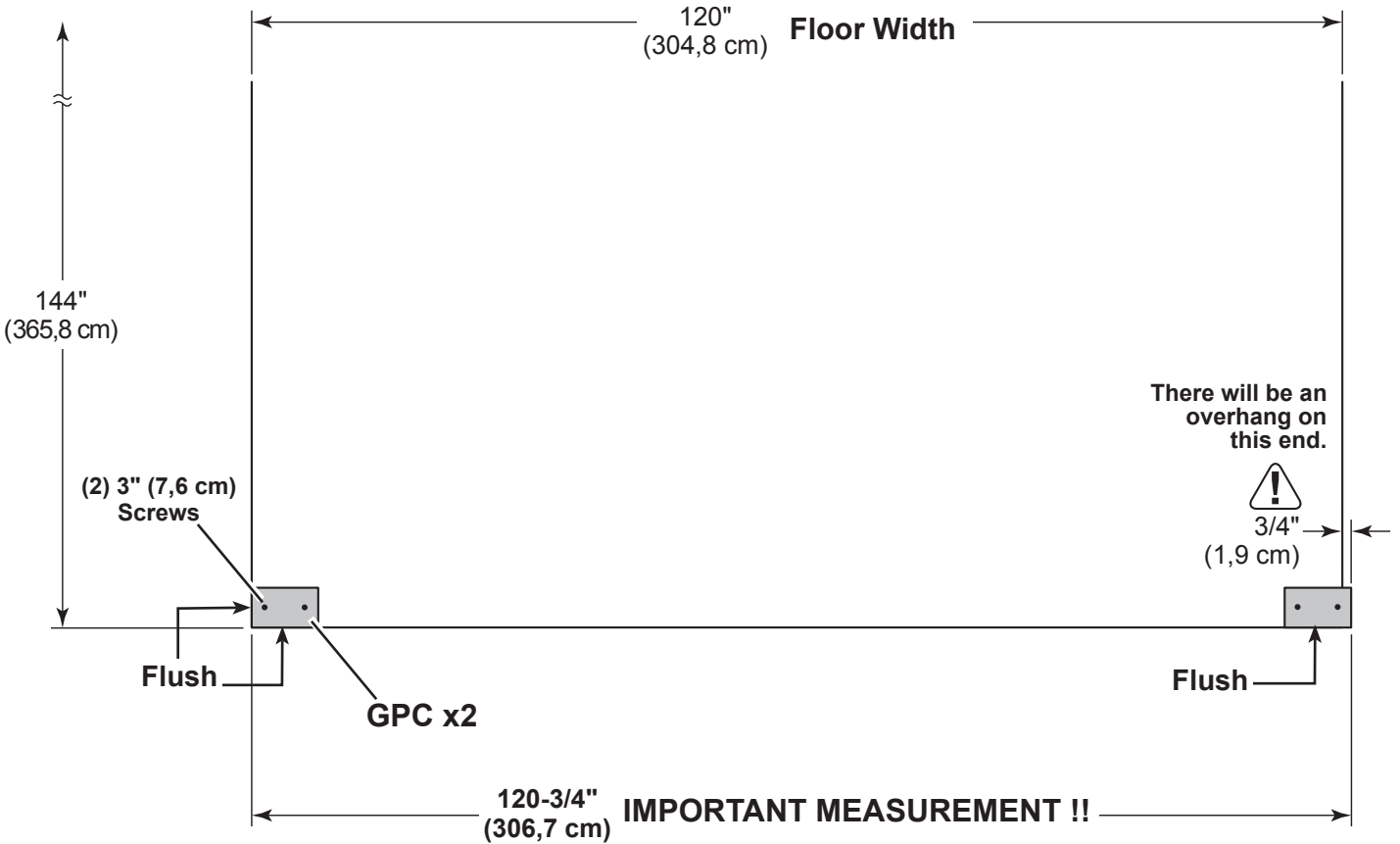
x2 **GPC** 2 x 4 x 4-3/8" (5,1 x 10,2 x 11,1 cm)



Build a rafter jig using the gable end of floor and (2) **GPC** parts as shown.

BEGIN

- Secure (1) **GPC** flush to the floor deck with (2) 3" screws.
Measure over 120-3/4" and install a second **GPC** flush to the floor deck. **GPC** will overhang the floor.
Secure with (2) 3" screws.




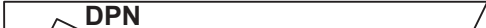
FINISH


You have finished building the main roof rafter jig. Proceed to assemble your rafters.

MAIN ROOF RAFTER ASSEMBLY

PARTS REQUIRED:

x2  OSB OR WOOD GRAIN
6 x 24" (15,2 x 61 cm) **NOTE:** 6" (15,2 cm) Gusset

x4  DPN
2 x 4 x 73-3/4" (5,1 x 10,2 x 187,3 cm)

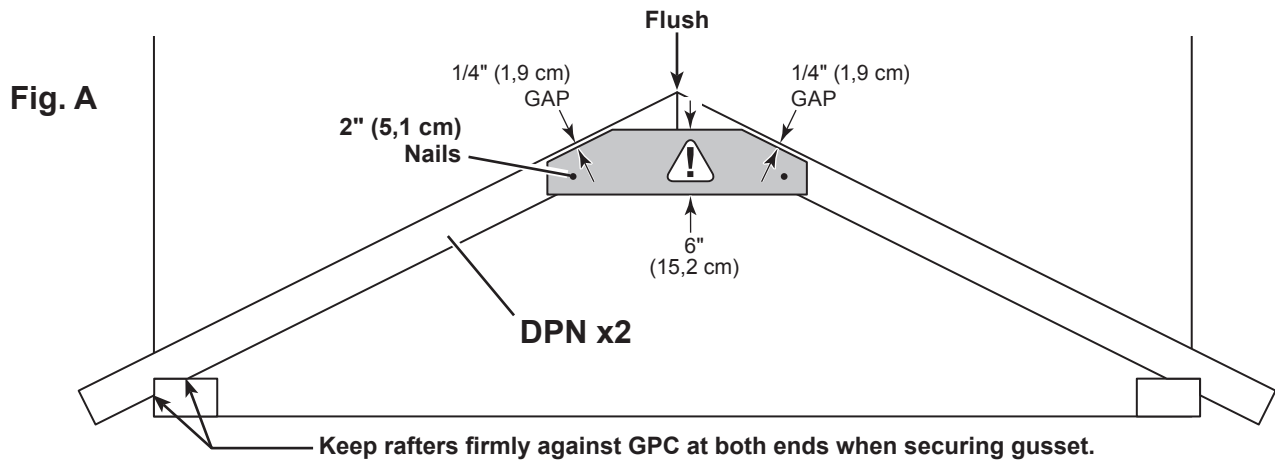
x24  2" (5,1 cm)



✓ BEGIN

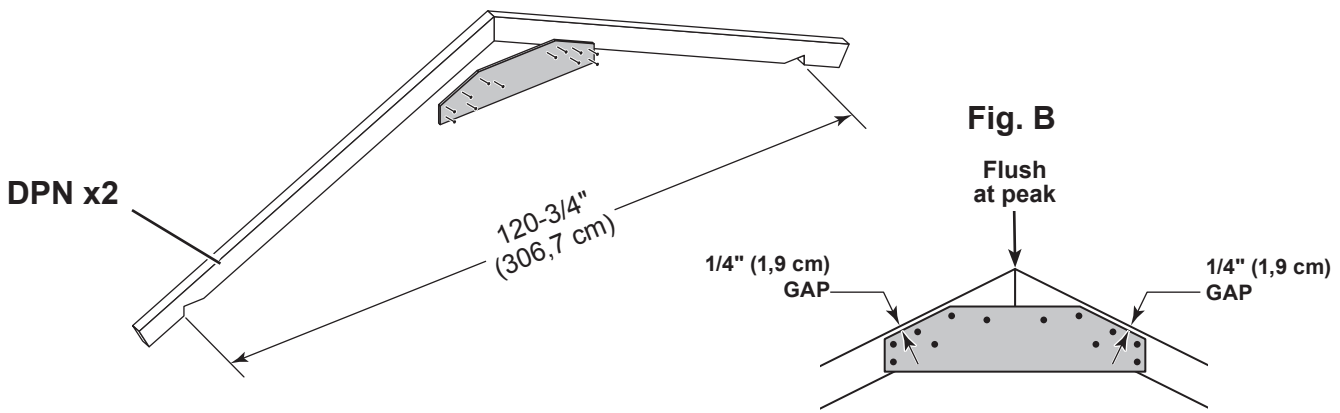
- 1 Place (2) rafters **DPN** into the jig as shown.
- 2 Keep rafters **DPN** firm against (2) **GPC**'s as shown (**Fig.A**).
Flush rafters at the peak.

Place gusset on rafters holding a 1/4" gap from edge.
Secure gusset with (1) 2" nail into each rafter.
HINT: These first (2) nails will help hold the measurements when you nail on gussets.



- 3 Secure gusset with (10) 2" nails in the pattern shown (**Fig. B**).

Repeat STEPS 1 and 2 to assemble (1) more single gusset rafter.



Remove **GPC** parts from floor.

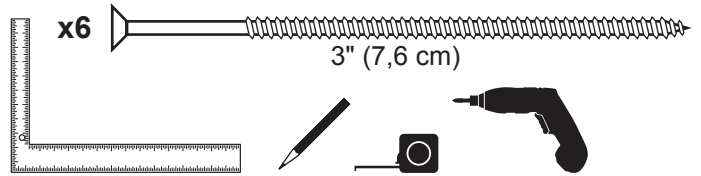


Your (2) main roof rafters are now assembled..

DORMER RAFTER ASSEMBLY

PARTS REQUIRED:

x2 **GPC** 2 x 4 x 4-3/8" (5,1 x 11,1 x 14,9 cm)

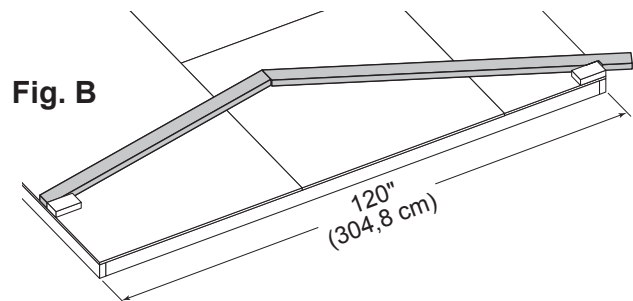
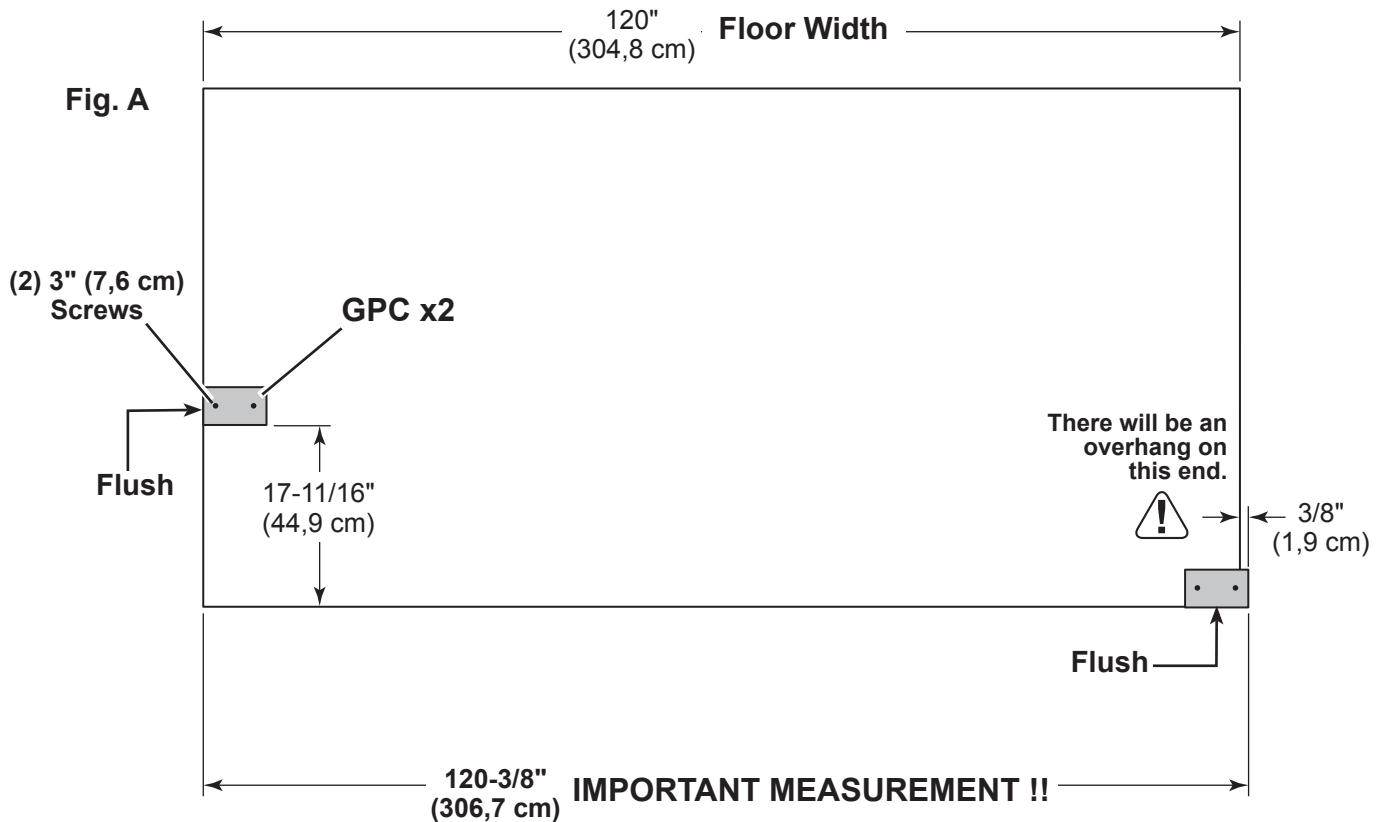


Build a rafter jig using the gable end of floor and (2) **GPC** parts as shown.

BEGIN

- 1** Measure 120-3/8" (306,7 cm) from the floor edge. Install (1) **GPC** flush to the floor deck.
GPC will overhang the floor.
 Secure with (2) 3" screws.


- 2** Measure 17-11/16" (44,9 cm) from the floor edge.
 Secure (1) **GPC** flush to the floor deck with (2) 3" screws.

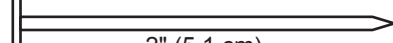


You have finished building the main roof rafter jig. Proceed to assemble your dormer rafters.

DORMER RAFTER ASSEMBLY (CENTER 3 GUSSETS)

PARTS REQUIRED:

x6  OSB OR WOOD GRAIN
4-13/16" x 24" (12,2 x 61 cm)
NOTE: 4-13/16" (15,2 cm) Gusset

x72  2" (5,1 cm)

x3  BVT 2 x 4 x 61-1/4" (5,1 x 10,2 x 155,6 cm)

x3  DPN 2 x 4 x 73-3/4" (5,1 x 10,2 x 187,3 cm)



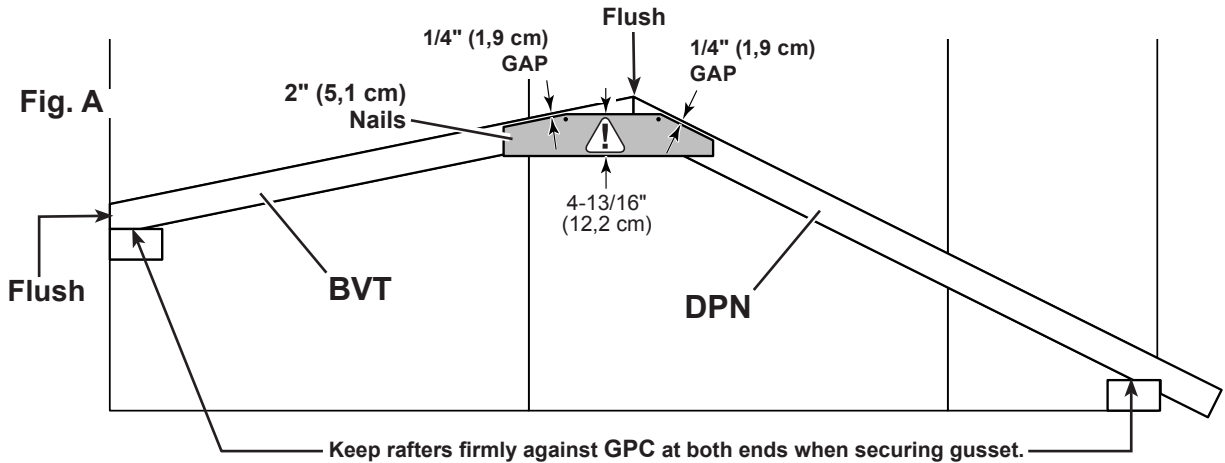
✓ BEGIN

- 1 Place rafters **BVT** and **DPN** into the jig as shown.
- 2 Keep rafters firm against (2) **GPC**'s as shown (**Fig.A**).
Flush rafters at the peak.

Place gusset on rafters holding a 1/4" gap from edge.

Secure gusset with (1) 2" nail into each rafter.

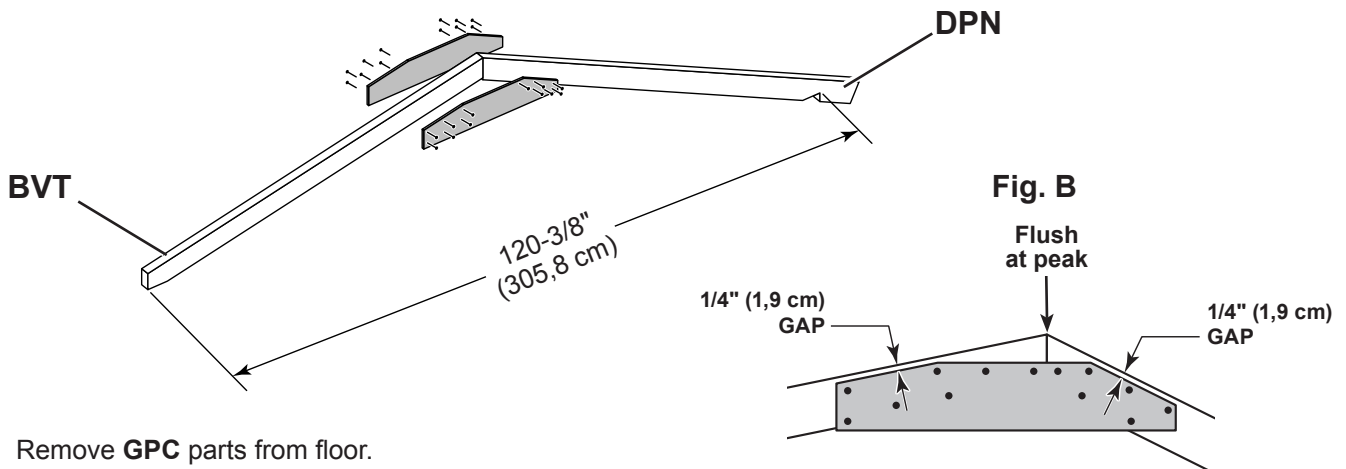
HINT: These first (2) nails will help hold the measurements when you nail on gussets.



- 3 Secure gusset to the rafters with (12) 2" nails in the pattern shown (**Fig. B**).

Flip rafters over and attach a second gusset with (12) 2" nails. No need to use jig for this gusset.


Repeat STEPS 1 - 3 to assemble two more double gusset dormer rafters.

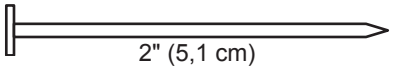


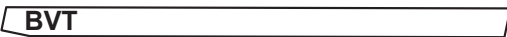
Remove **GPC** parts from floor.

DORMER RAFTER ASSEMBLY (RIGHT 1 GUSSET)

PARTS REQUIRED:

x1  OSB OR WOOD GRAIN
4-13/16" x 24" (12,2 x 61 cm)
NOTE: 4-13/16" (15,2 cm) Gusset

x12  2" (5,1 cm)

x1  BVT 2 x 4 x 61-1-4" (5,1 x 10,2 x 155,6 cm)

x1  DPN 2 x 4 x 73-3/4" (5,1 x 10,2 x 187,3 cm)



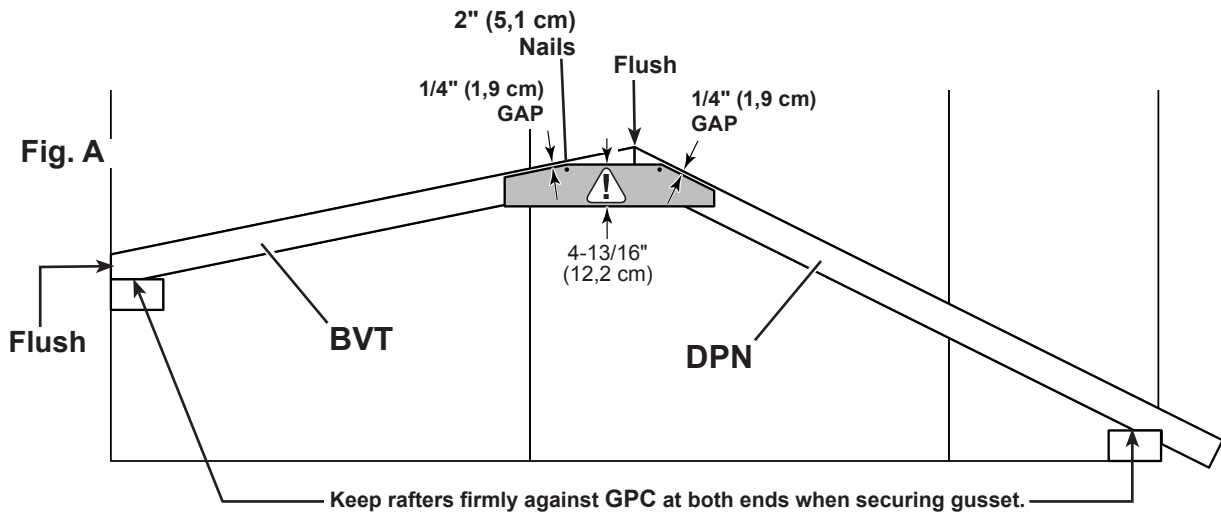
4 Place rafters **BVT** and **DPN** into the jig as shown.

5 Keep rafters firm against (2) **GPC's** as shown (**Fig.A**).
Flush rafters at the peak.

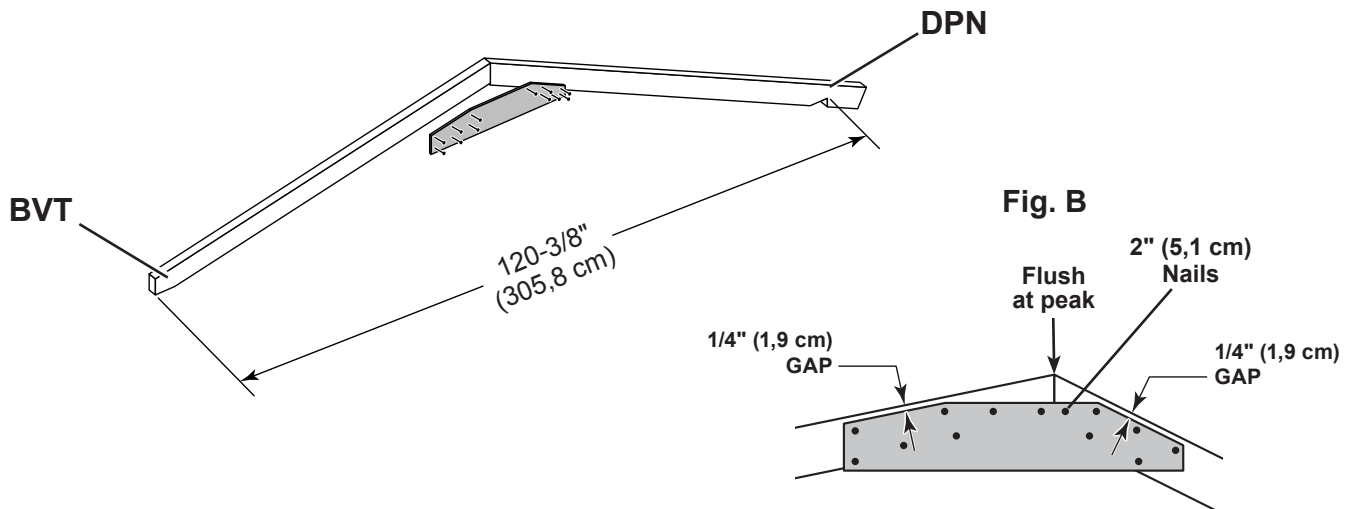
Place gusset on rafters holding a 1/4" gap from edge.

Secure gusset with (1) 2" nail in each rafter.

HINT: These first (2) nails will help hold the measurements when you nail on gussets.



6 Secure gusset to the rafters with (12) 2" nails in the pattern shown (**Fig. B**).



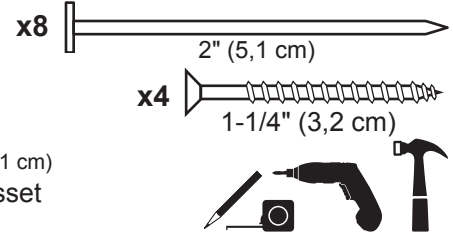
Continue to build the left dormer rafter with only (1) gusset.

DORMER RAFTER ASSEMBLY (LEFT 1 GUSSET)

PARTS REQUIRED:

- x1 **BVT**
2 x 4 x 61-1/4" (5,1 x 10,2 x 155,6 cm)
- x1 **DPN**
2 x 4 x 73-3/4" (5,1 x 10,2 x 187,3 cm)

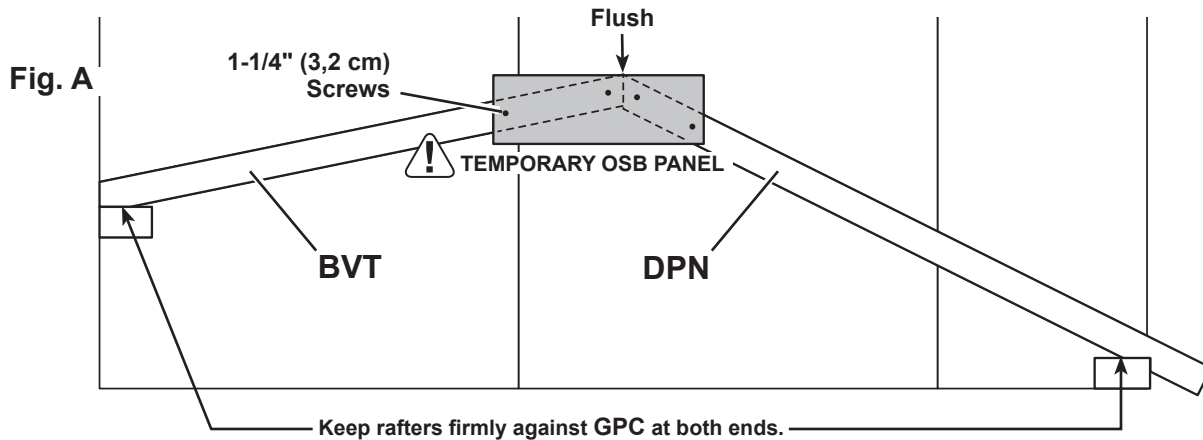
- x1 **TEMPORARY OSB PANEL**
7/16 x 7-7/8 x 23-7/8"
(1,1 x 20 x 60,6 cm)
- x1 **OSB OR WOOD GRAIN**
4-13/16 x 24" (12,2 x 61 cm)
- NOTE:** 4-13/16" (15,2 cm) Gusset



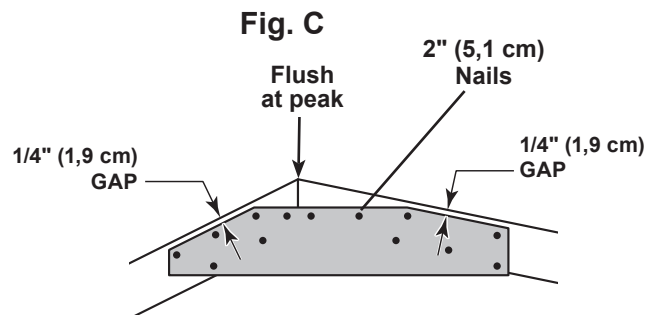
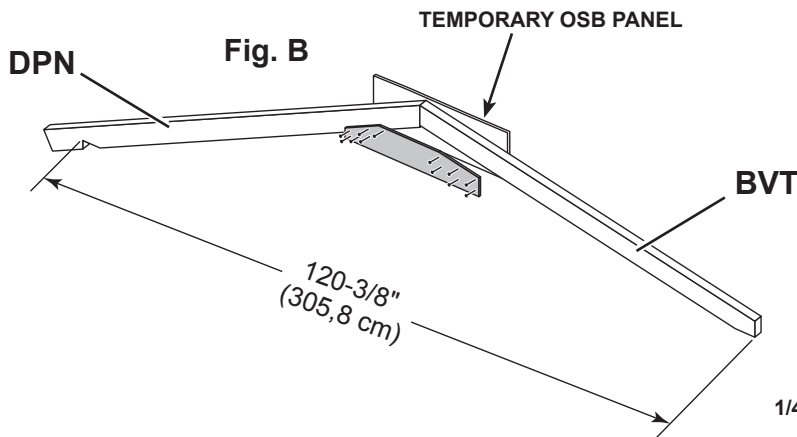
- 7** Place rafters **BVT** and **DPN** into the jig as shown.
- 8** Keep rafters firm against (2) **GPC's** as shown (**Fig.A**).
Flush rafters at the peak.

Place gusset on rafters holding a 1/4" gap from edge.
Secure temporary OSB panel with (2) 1-1/4" screws in each rafter.

HINT: The temporary OSB panel will hold the measurements when you flip over the rafters to install the gusset (**Fig B**).



- 9** Flip rafters over and fasten the gusset with (12) 2" nails in the pattern shown (**Fig. C**).
(The jig is not necessary to install this gusset, as rafter positioning is held by the OSB.)




Remove temporary OSB panel from rafter and **GPC** parts from floor.




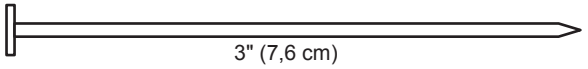
Your dormer rafters are now assembled.

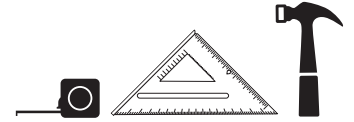
DOOR HEADER

PARTS REQUIRED:

x1 
7/16 x 3-1/4 x 58-3/4" (1,1 x 8,3 x 149,2 cm)

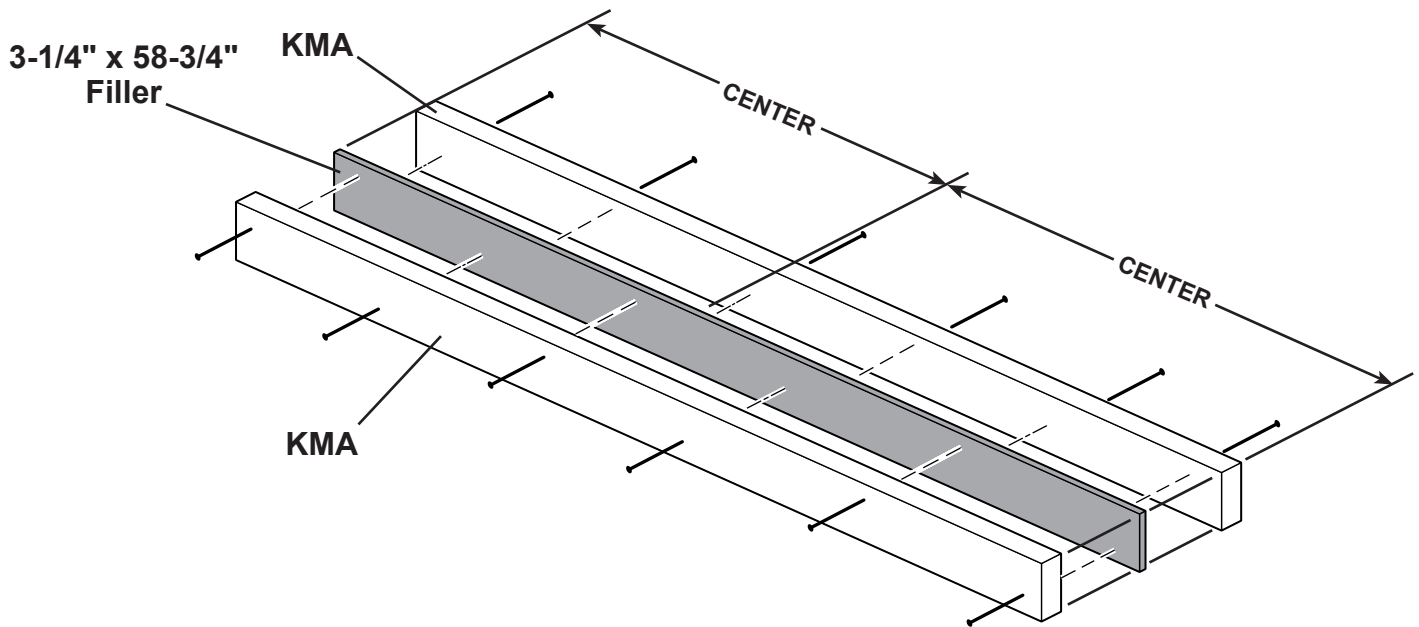
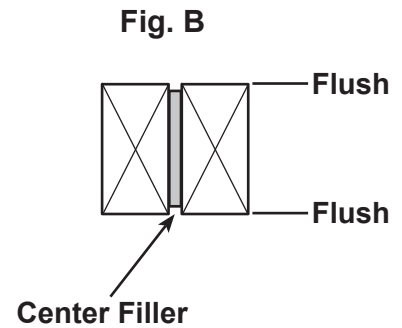
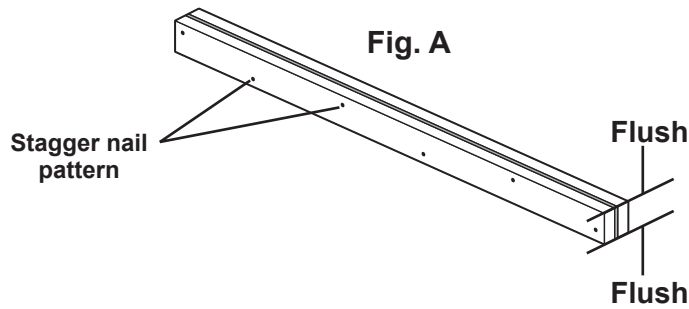
x2 **KMA** 
2 x 4 x 59" (5,1 x 10,3 x 149,9 cm)

x12 
3" (7,6 cm)



✓ **BEGIN**

- 1 Center the **3-1/4" x 58-3/4"** OSB filler between (2) parts **SX** (Fig. A, Fig. B).
Ensure ends of **KMA** are flush (Fig. A).
- 2 Nail together with 3" nails in a staggered pattern as shown.



Your door header is now assembled.

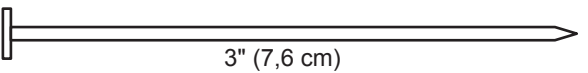
GABLE OR EAVE WALL WINDOW FRAMES

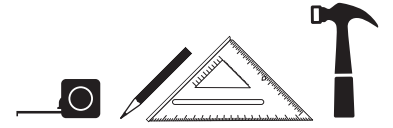
PARTS REQUIRED:

x6 **AO** 2 x 4 x 22-1/2" (5,1 x 10,2 x 57,1 cm)

x3 **LV** 2 x 3 x 22-1/2" (5,1 x 7,6 x 57,1 cm)

x6 **TK** 2 x 4 x 80" (5,1 x 10,2 x 203,2 cm)

x36  3" (7,6 cm)

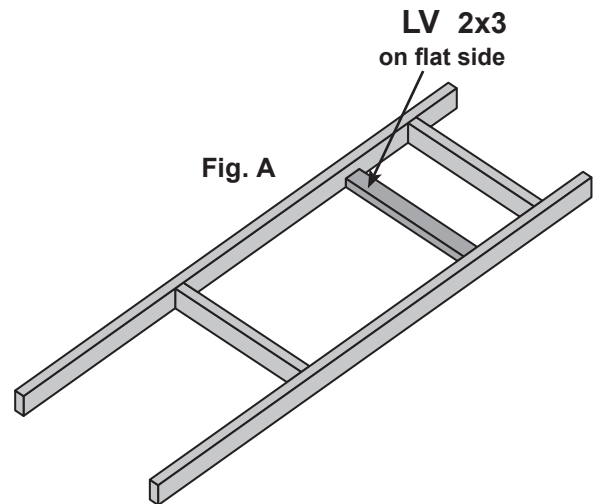
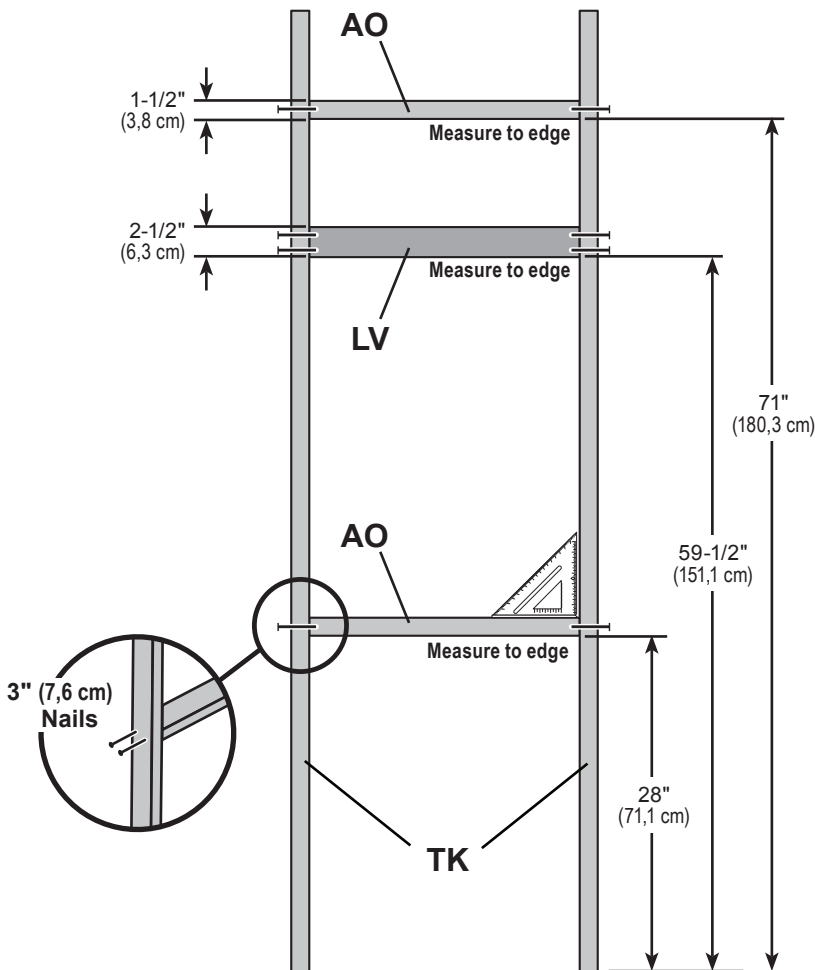
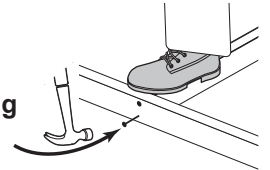


✓ BEGIN

- 1 Orient 2x4 parts on edge on floor. Lay LV on the flat side (Fig. A). Measure to edges of AO and LV and mark locations.

Secure parts **AO** and **LV** to **TK** with (2) 3" nails at each mark.

 **HINT:**
For easier nailing
stand on frame.

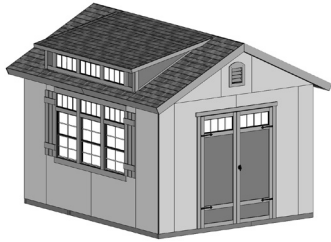


Build (2) more window frames by repeating STEP 1.



Your window frames are now assembled.

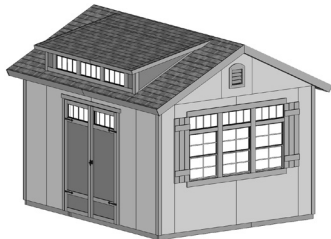
**CHOOSE YOUR DOOR LOCATION AT THIS TIME
AS YOU WILL ASSEMBLE YOUR DOOR WALL FIRST.**



GABLE END WALL WITH DOOR:



**IF YOU CHOOSE THE GABLE END WALL FOR DOOR LOCATION
GO TO Next Page TO BEGIN BUILDING YOUR WALLS.**



OPTIONAL:
DOOR LOCATED
ON EAVE SIDE WALL

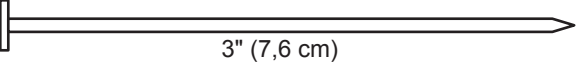
EAVE SIDE WALL WITH DOOR:



**IF YOU CHOOSE TO LOCATE THE DOOR ON THE EAVE SIDE
GO TO Page 37 TO BEGIN BUILDING YOUR WALLS.**

10' GABLE WALL DOOR FRAME

PARTS REQUIRED:

x24  3" (7,6 cm)

x2 **STL**
2 x 4 x 44-1/2" (5,1 x 10,2 x 113 cm)

x6 **TK**
2 x 4 x 80" (5,1 x 10,2 x 203,2 cm)

x2 **YFA**
2 x 4 x 68-1/2" (5,1 x 10,2 x 174 cm)

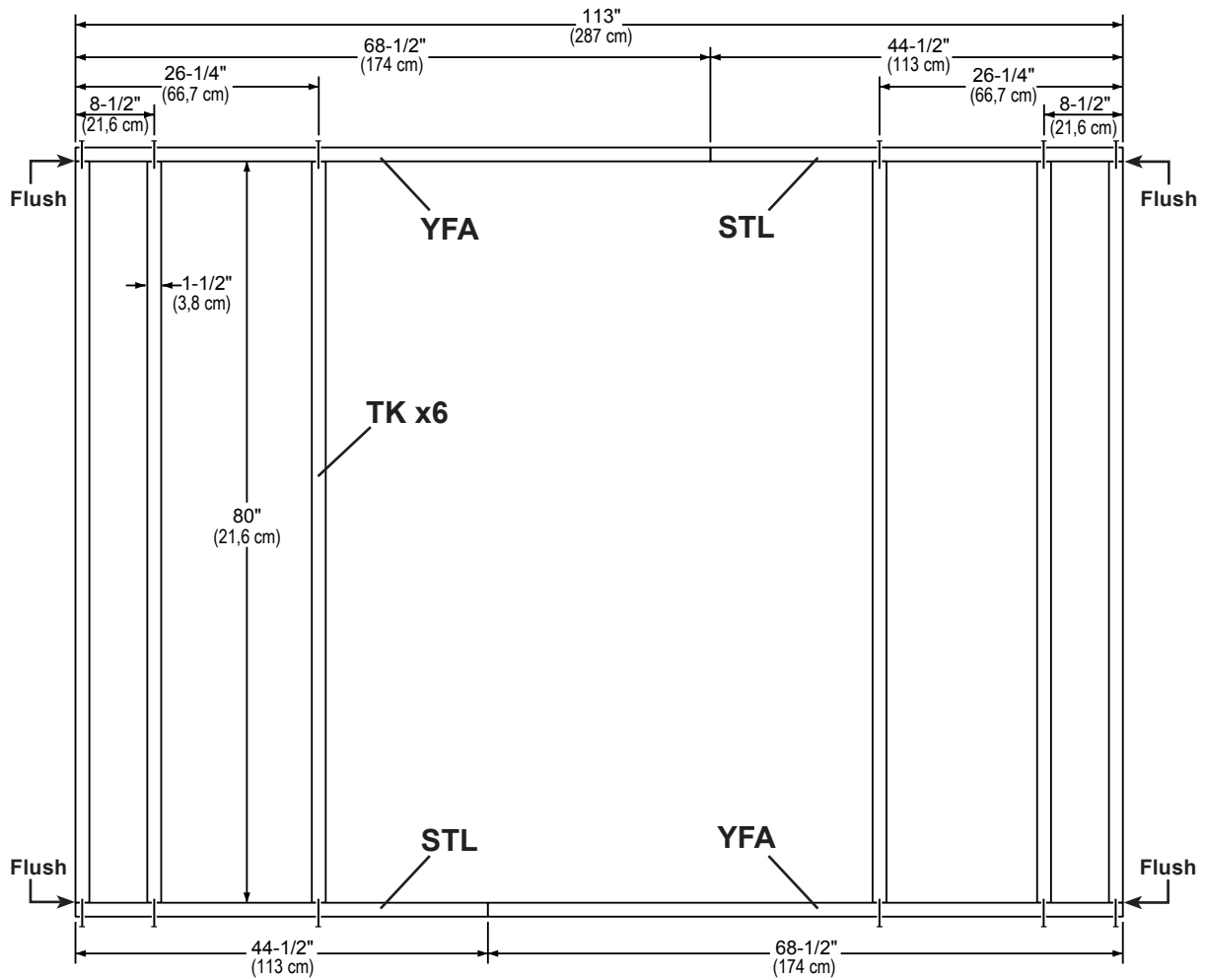
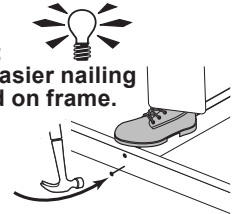


✓ BEGIN

1 Orient parts on edge on floor. Measure and mark.

Secure parts with (2) 3" nails at each mark.

HINT:
For easier nailing
stand on frame.

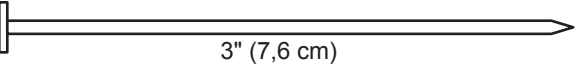


10' GABLE WALL DOOR FRAME

PARTS REQUIRED:

x5 **COA**
 2 x 4 x 8"
 (5,1 x 10,2 x 20,3 cm)

x1 **Header Assembly**
 2 x 4 x 59" (5,1 x 10,2 x 149,9 cm)

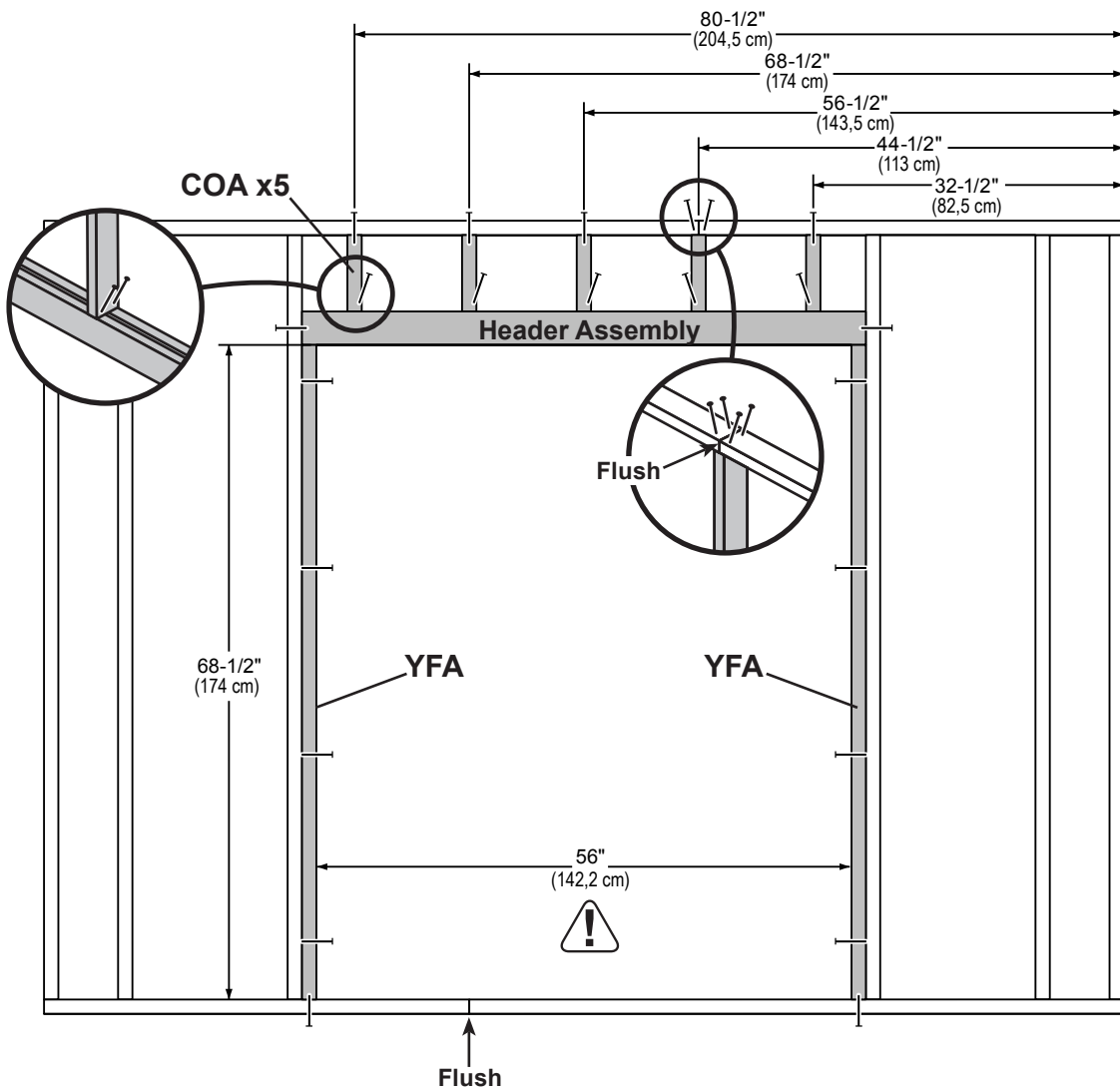
x46  3" (7,6 cm)

x2 **YFA**
 2 x 4 x 68-1/2" (5,1 x 10,2 x 174 cm)



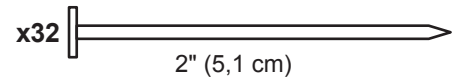
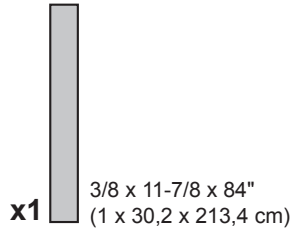
2 Orient parts on edge on floor. Measure and mark.

Secure parts with (2) 3" nails at each mark and (4) 3" nails at top plate seam.



10' GABLE WALL DOOR PANELS

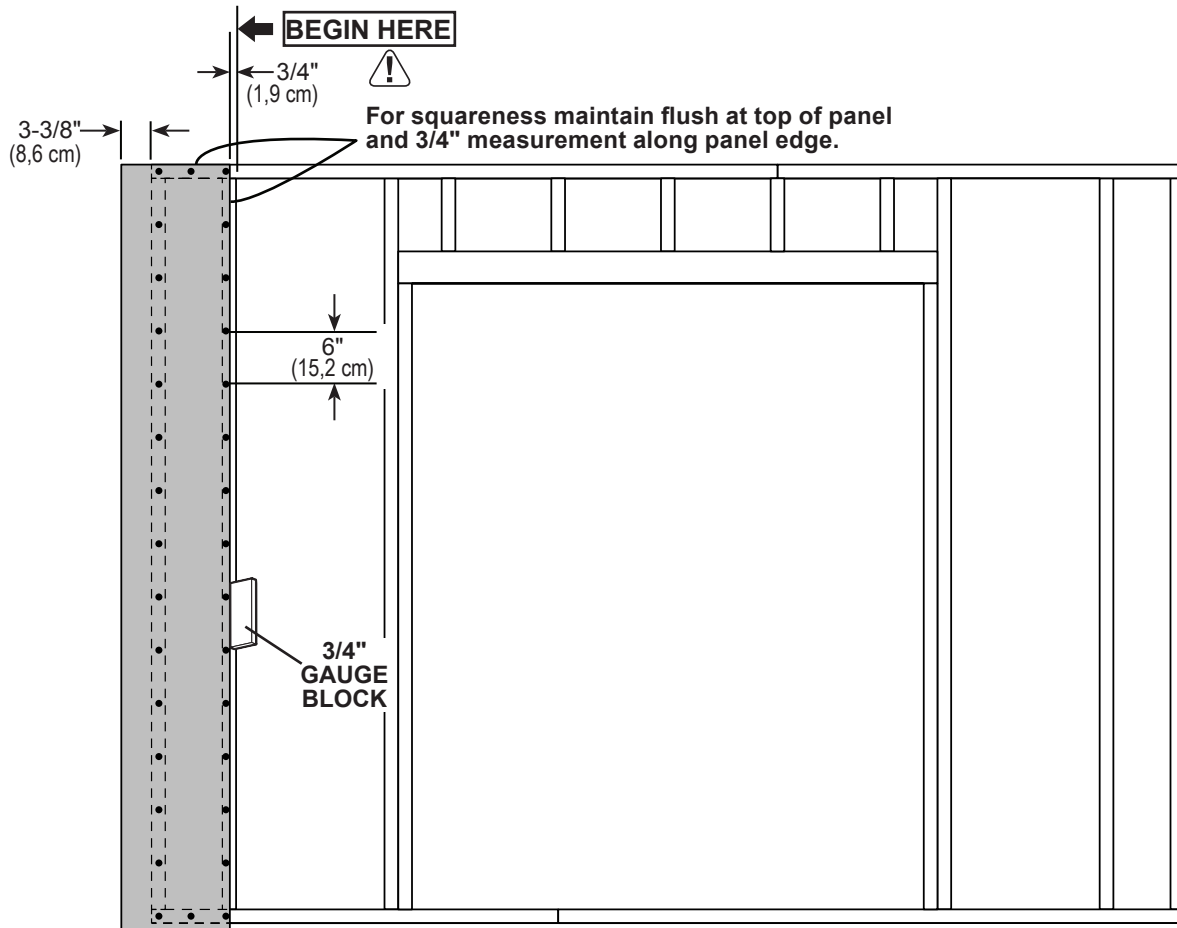
PARTS REQUIRED:



Install all panels with the primed side facing up.

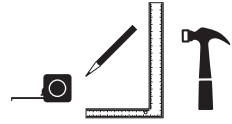
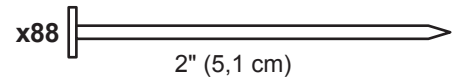
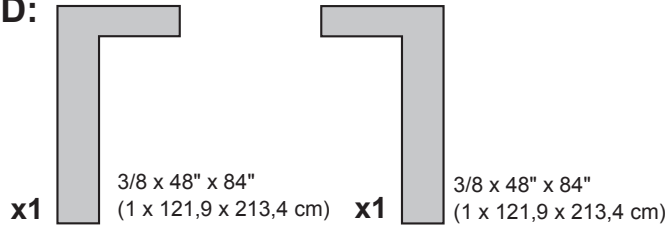
✓ **BEGIN**

- 1 Place **11-7/8 x 84"** panel on wall frame flush to top of frame as shown. Use the gauge block to mark the **3/4"** measurement on the wall stud. Secure panel with 2" nails spaced 6" apart along edges.



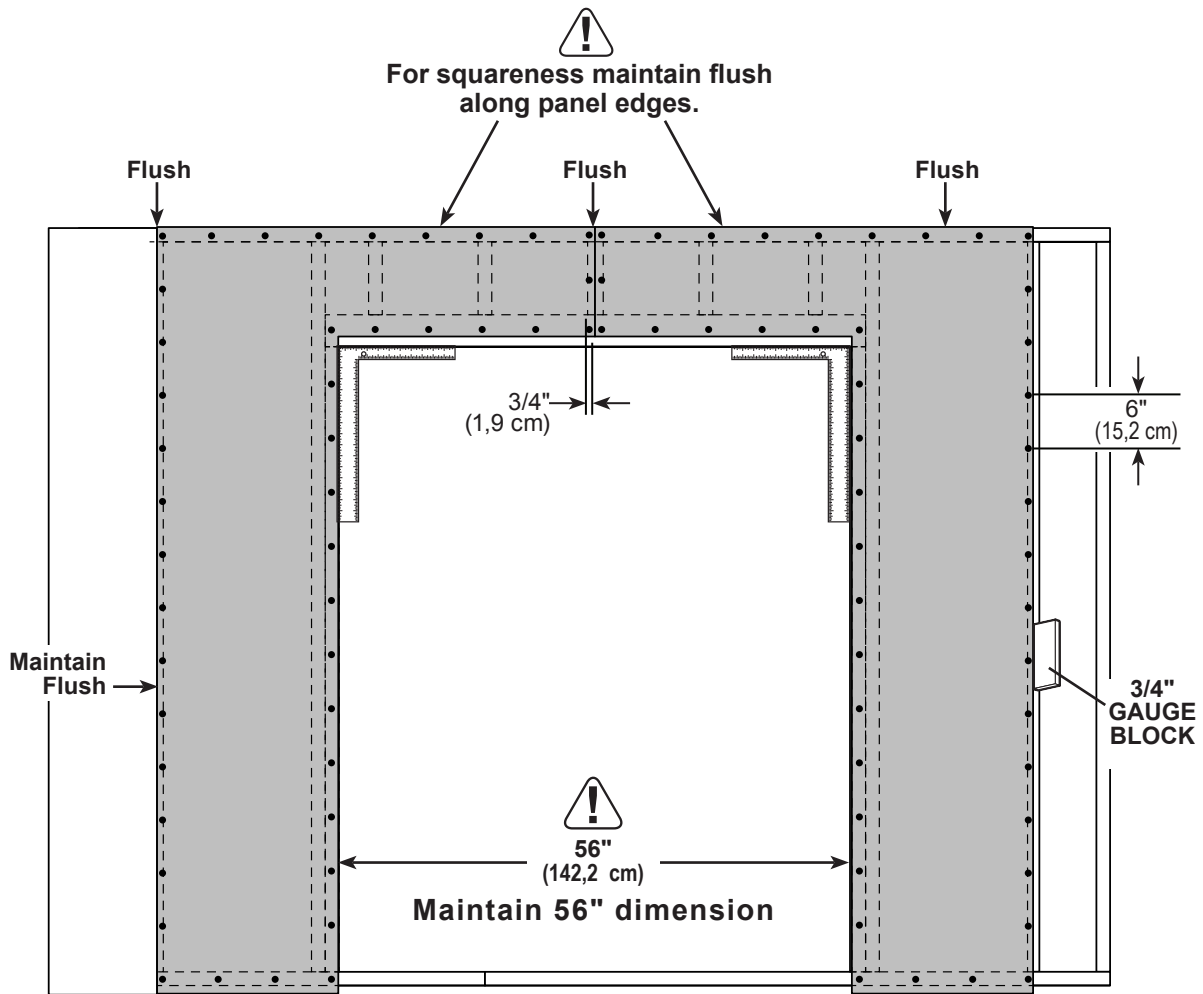
10' GABLE WALL DOOR PANELS

PARTS REQUIRED:



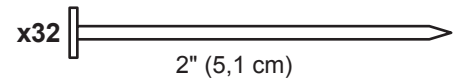
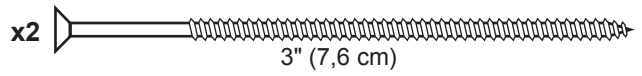
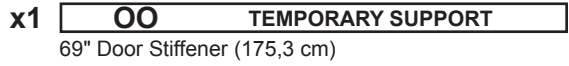
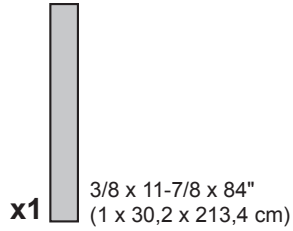
- Place left and right 48" x 84" panels on wall frame flush to top of frame. Ensure the left 48" x 84" panel is flush along edge of installed panel and both panels are flush to the top plate as shown.

Use the gauge block to ensure the 3/4" measurement on the wall stud. Secure panels with 2" nails spaced 6" apart along edges.

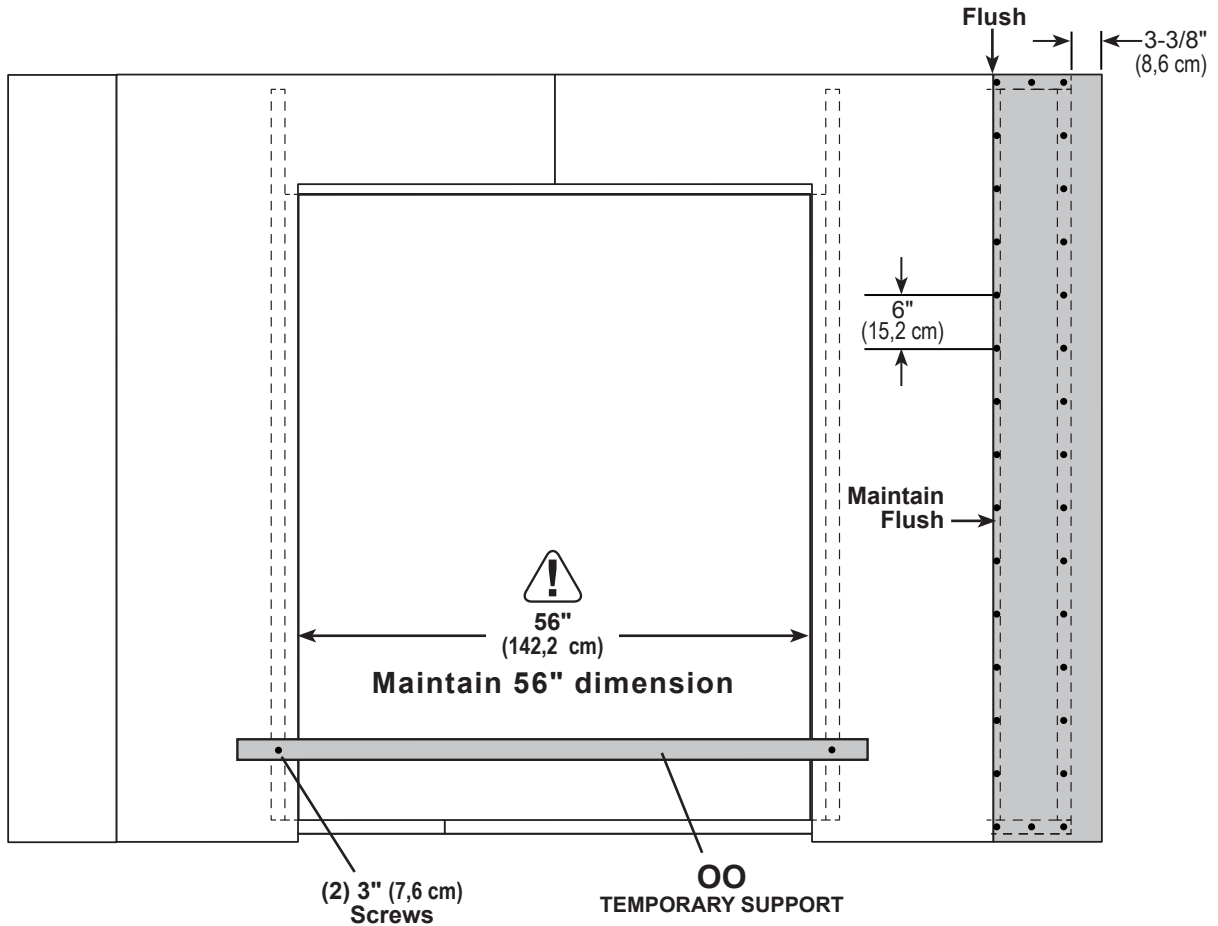


10' GABLE WALL DOOR PANELS

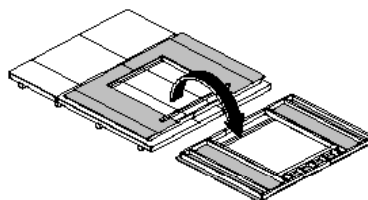
PARTS REQUIRED:



- 3** Place $11-7/8 \times 84"$ panel on wall frame flush to top of frame as shown. Secure panel with 2" nails spaced 6" apart along edges.
- 4** Install **OO** as a temporary support brace to hold the 56" (142,2 cm) measurement. Fasten **OO** with two 3" screws into studs as shown.



Carefully flip the 10' gable wall over.

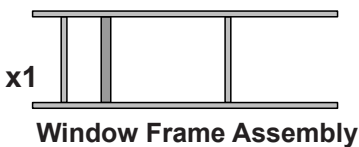
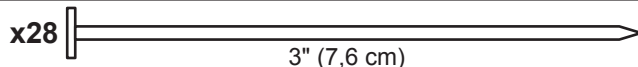


Your gable wall with door is now finished.

12' EAVE WALL WINDOW FRAME

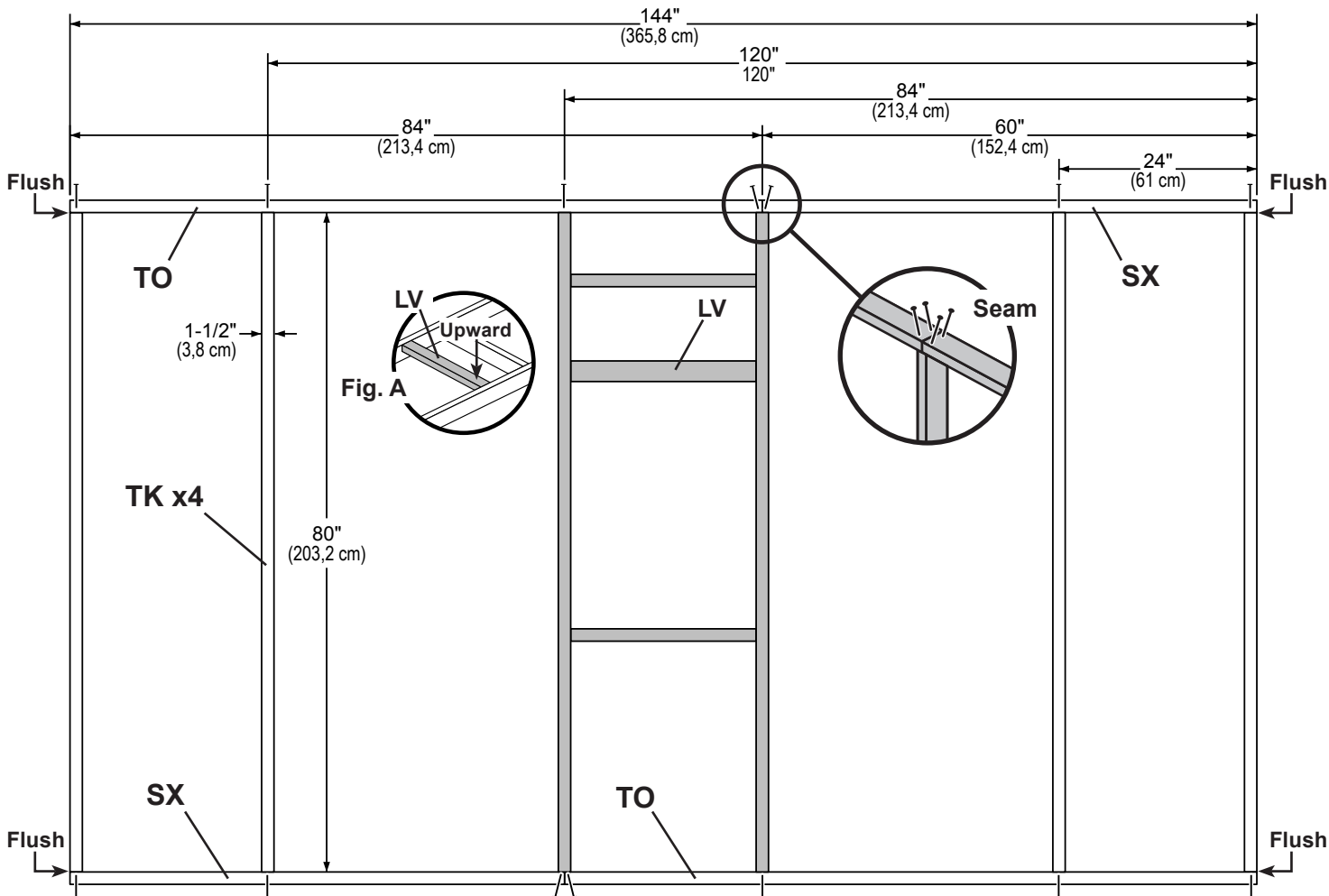
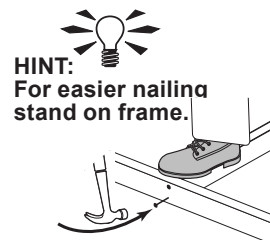
PARTS REQUIRED:

- x2 **SX**
2 x 4 x 60" (5,1 x 10,3 x 152,4 cm)
- x4 **TK**
2 x 4 x 80" (5,1 x 10,2 x 203,2 cm)
- x2 **TO**
2 x 4 x 84" (5,1 x 10,2 x 213,4 cm)



✓ BEGIN

- 1 Orient parts on edge on floor. Measure and mark.
Position the window frame assembly so **LV** is elevated above the floor (**Fig. A**).
Secure parts with (2) 3" nails at each mark and (4) nails at seams

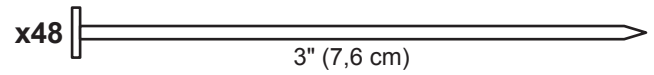
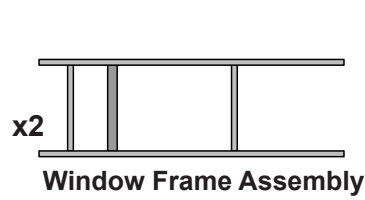


12' EAVE WALL WINDOW FRAME

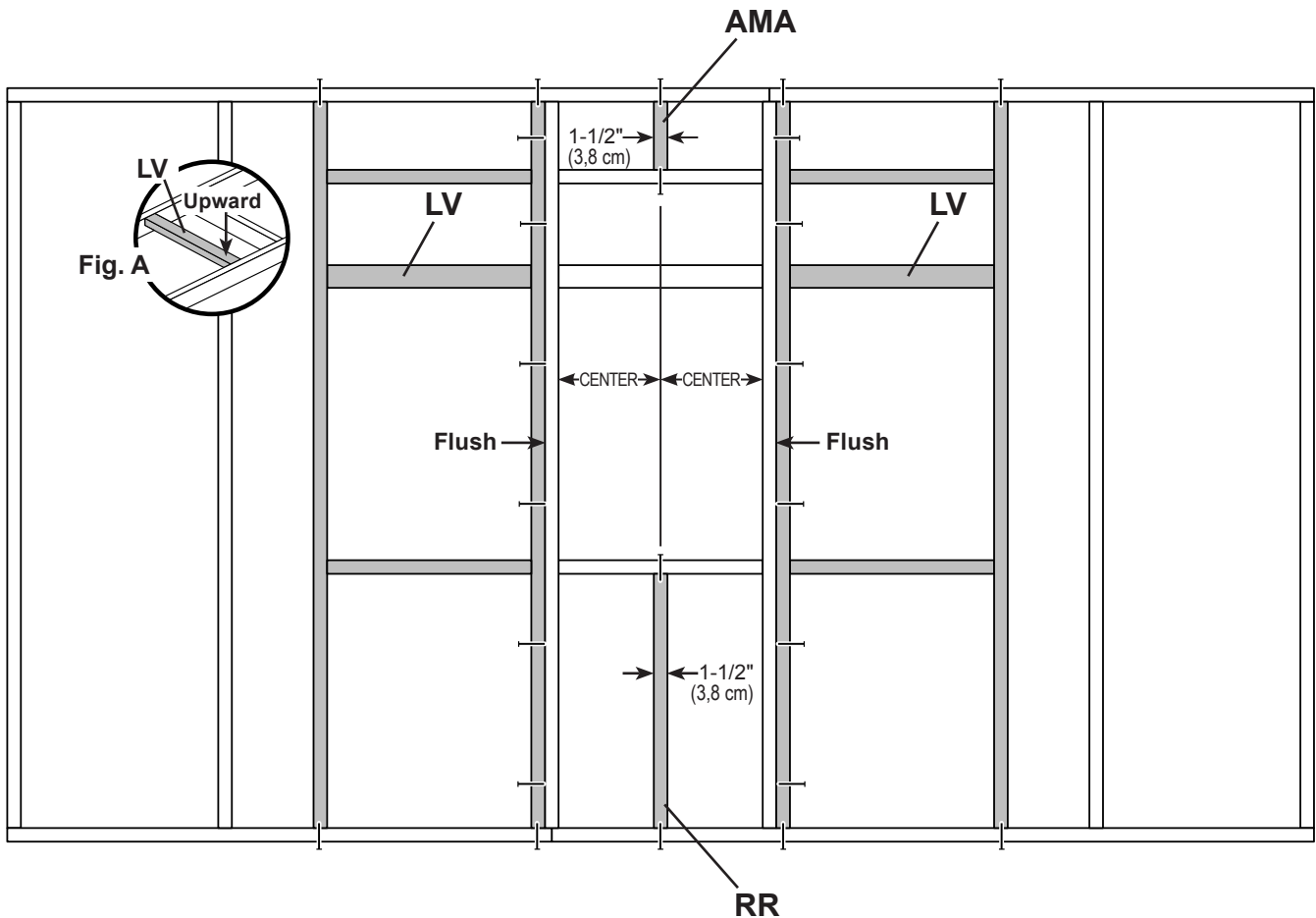
PARTS REQUIRED:

x1 **AMA**
2 x 4 x 7-1/2" (5,1 x 10,2 x 35,6 cm)

x1 **RR**
2 x 4 x 28" (5,1 x 10,2 x 71,1 cm)

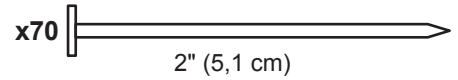
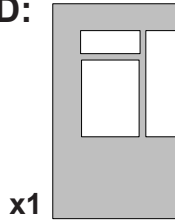


- 2 Position the (2) window frame assemblies flush to the installed window frame. Ensure that part **LV** is elevated above the floor (**Fig. A**). Center parts **AMA** and **RR** in the middle window frame assembly. Measure and mark. Secure parts with (2) 3" nails at each at each connection and as shown.



12' EAVE WALL WINDOW PANELS

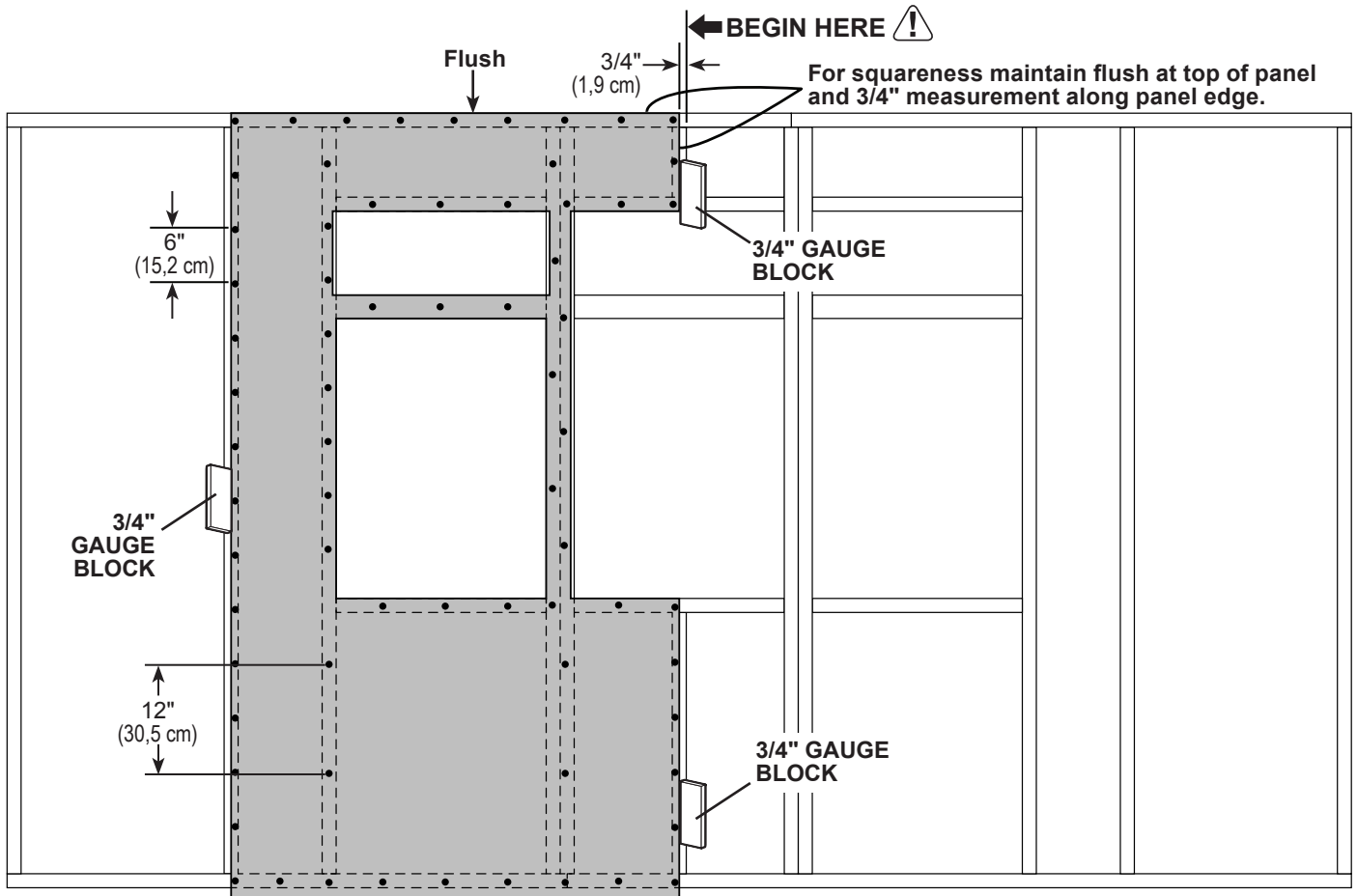
PARTS REQUIRED:



Install all panels with the primed side facing up.

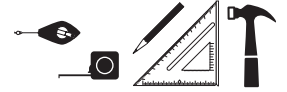
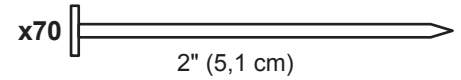
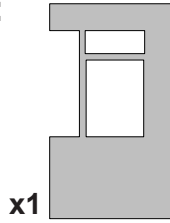
✓ BEGIN

- 1 Place left 48" x 84" panel on wall frame flush to top of frame.
 Ensure panel maintains flush along edge and flush to top of frame.
 Use the gauge block to ensure the 3/4" measurement on the wall stud.
 Secure panel with 2" nails spaced 6" apart along edges and 12" apart inside panel.

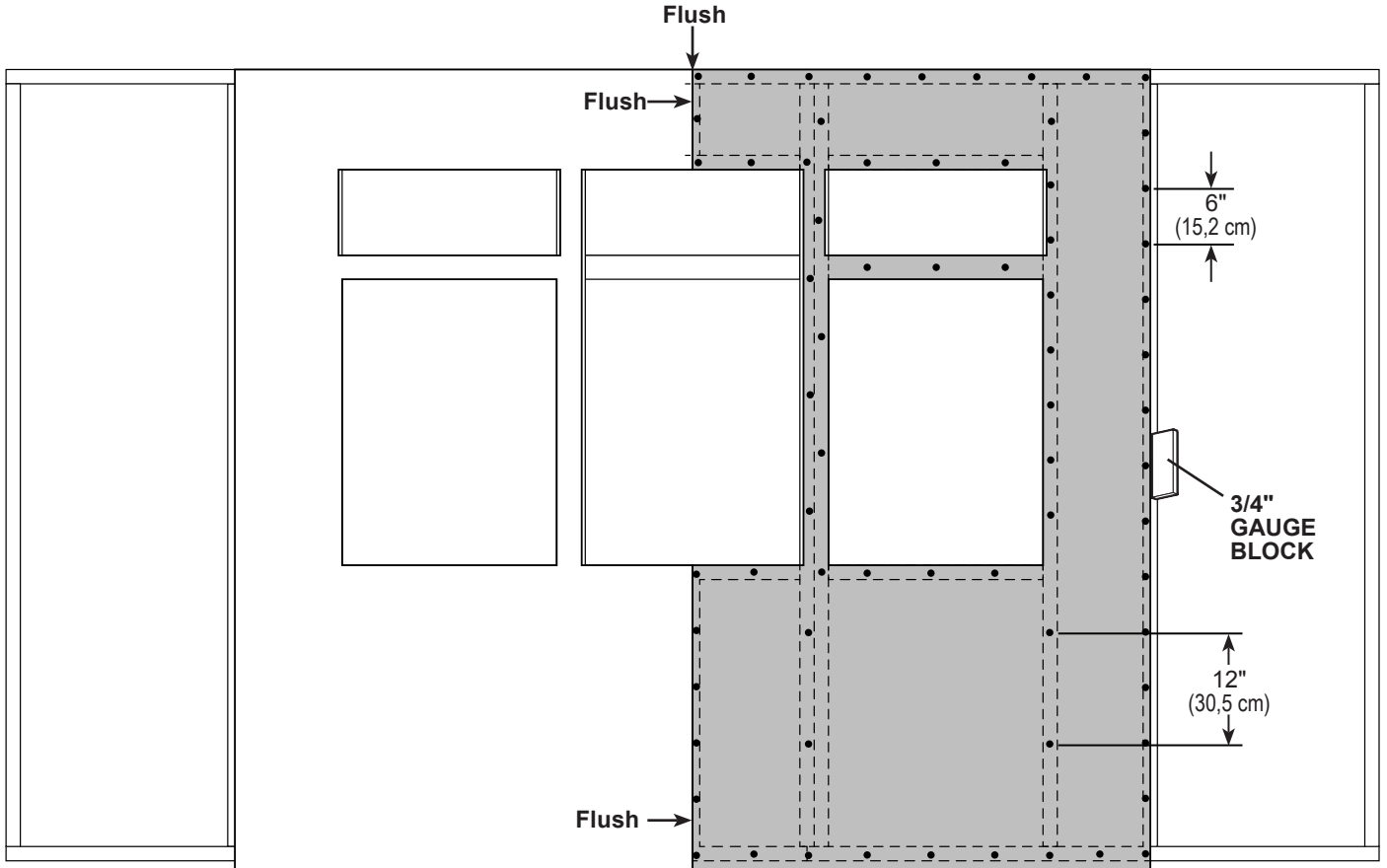


12' EAVE WALL WINDOW PANELS

PARTS REQUIRED:





- 2 Place right 48" x 84" panel on wall frame flush to top of frame. Ensure panel maintains flush along edge and flush to top of installed panel as shown. Use the gauge block to ensure the 3/4" measurement on the wall stud. Secure panel with 2" nails spaced 6" apart along edges and 12" apart inside panel.

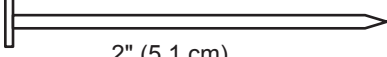


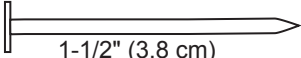
12' EAVE WALL WINDOW PANELS

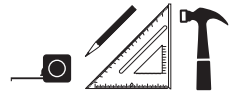
PARTS REQUIRED:

x1 
 3/8" x 2-1/2" x 23-1/4"
 (1 x 6,3 x 59,1 cm)

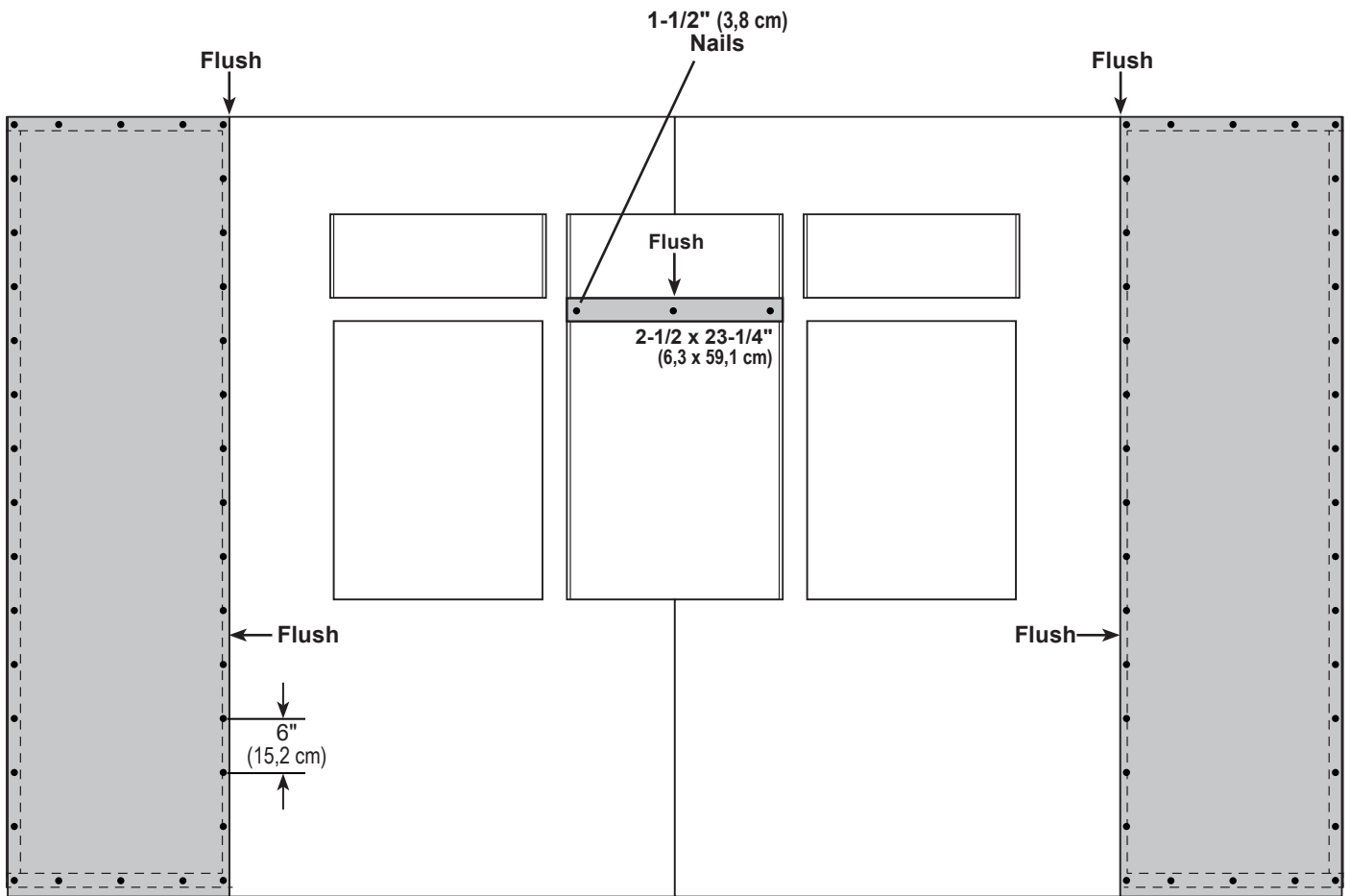
x2 
 3/8" x 23-7/8" x 84"
 (1 x 60,6 x 213,4 cm)

x72 
 2" (5,1 cm)

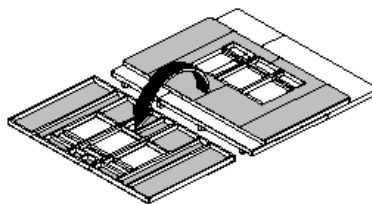
x3 
 1-1/2" (3,8 cm)



- Place (2) **23-7/8" x 84"** panels on wall frame flush to top of frame as shown. Flush panels to edges of installed panels. Center the **2-1/2" x 23-7/8"** filler panel between installed panels, as shown with primed side up. Secure panels with 2" nails spaced 6" apart along edges.



Carefully flip the 12' eave wall over.

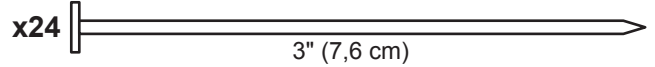


Your 12' window wall is now assembled.

GO TO Page 47 to continue building walls.

12' EAVE WALL DOOR FRAME

PARTS REQUIRED:



x2 **SX**
2 x 4 x 60" (5,1 x 10,3 x 152,4 cm)

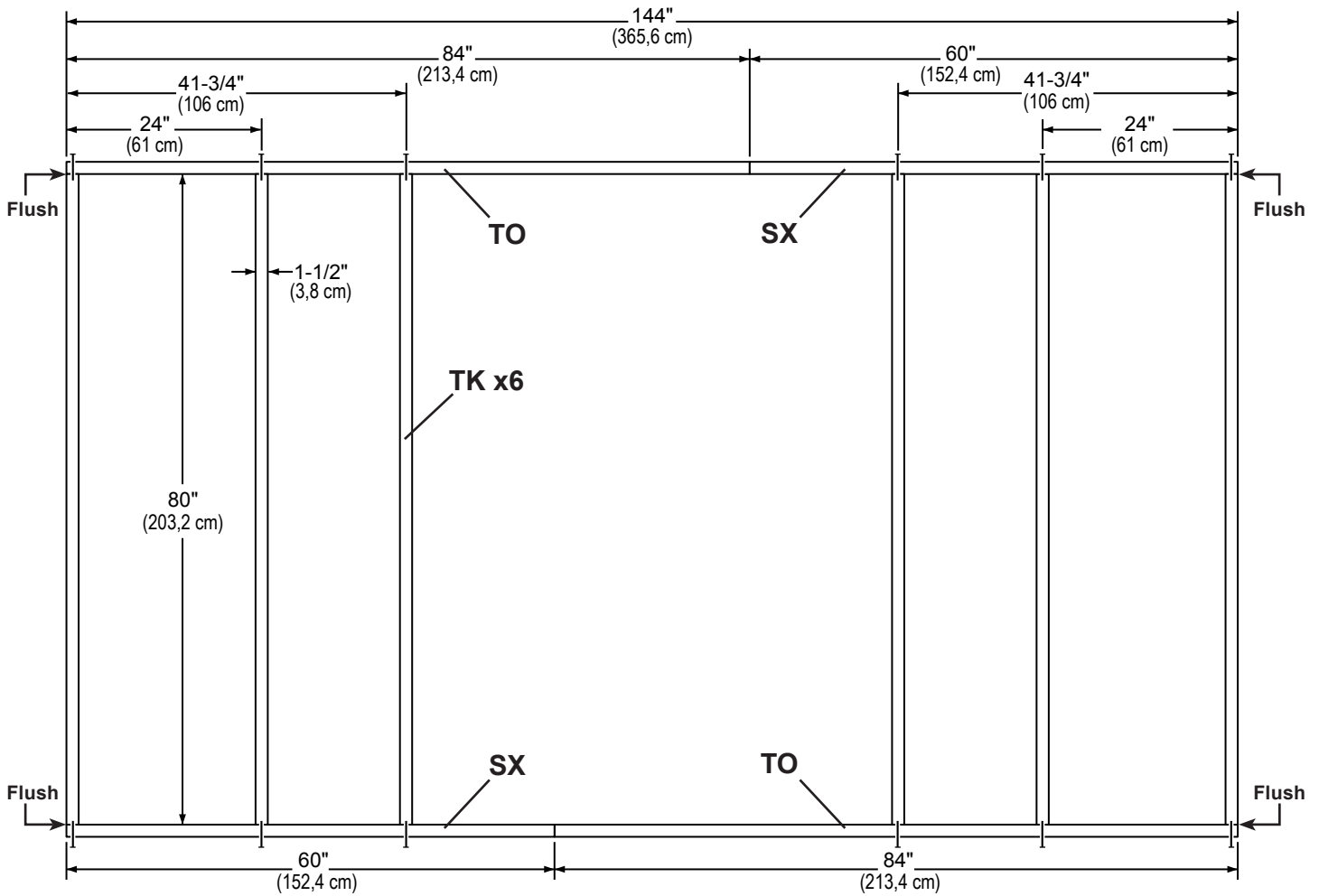
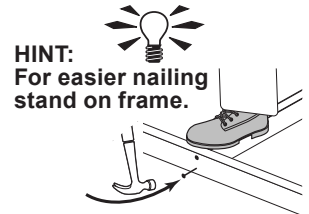
x6 **TK**
2 x 4 x 80" (5,1 x 10,2 x 203,2 cm)

x2 **TO**
2 x 4 x 84" (5,1 x 10,2 x 213,4 cm)



✓ BEGIN

- 1 Orient parts on edge on floor. Measure and mark.
Secure parts with (2) 3" nails at each mark.




12' EAVE WALL DOOR FRAME

PARTS REQUIRED:

x5 **COA**
 2 x 4 x 8"
 (5,1 x 10,2 x 20,3 cm)

x1 **Header Assembly**
 2 x 4 x 59" (5,1 x 10,2 x 149,9 cm)

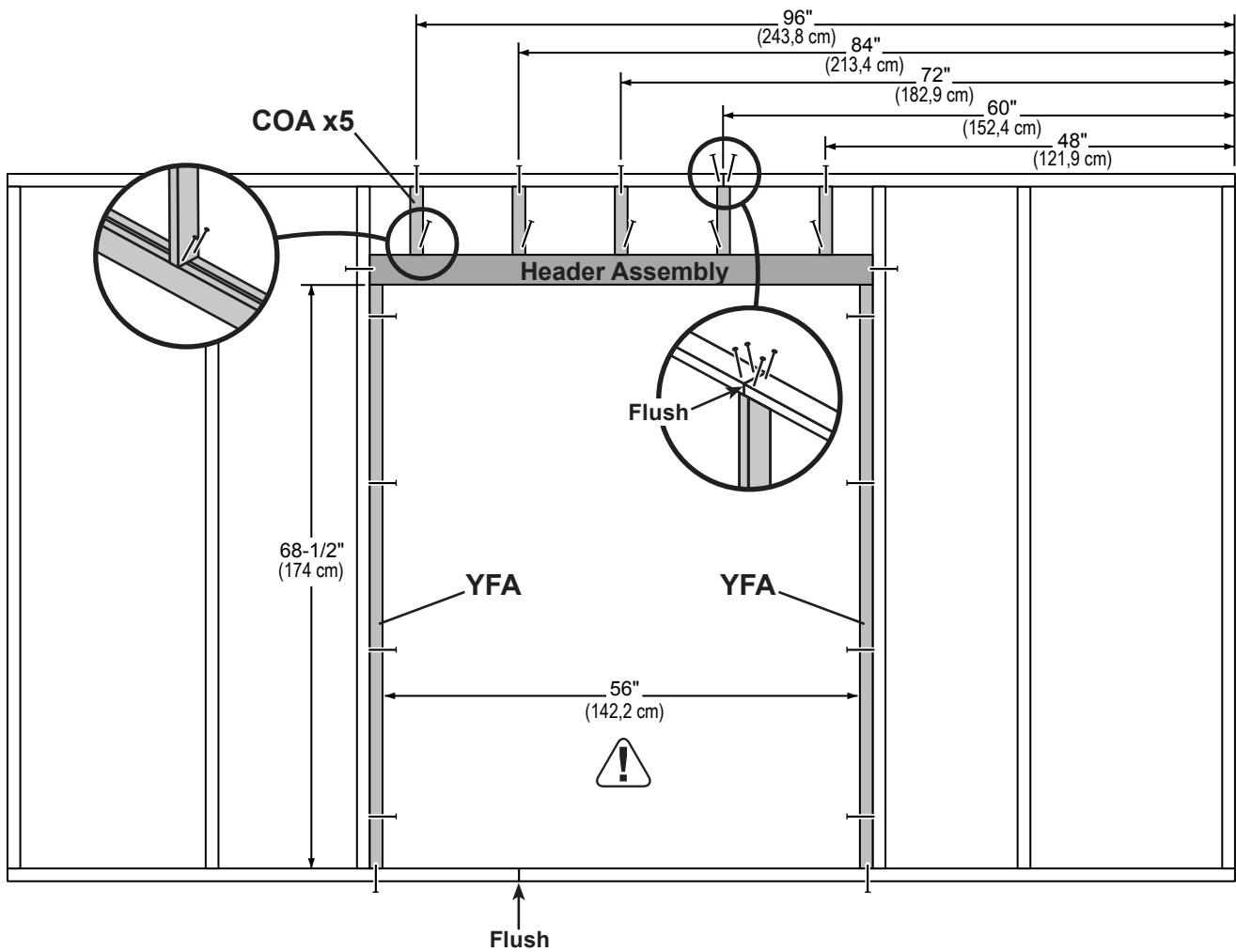
x2 **YFA**
 2 x 4 x 68-1/2" (5,1 x 10,2 x 174 cm)

x46  3" (7,6 cm)



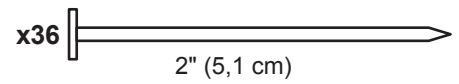
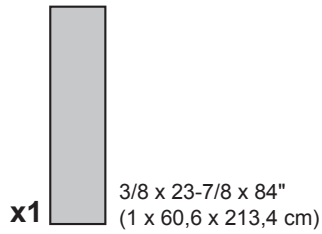
2 Orient parts on edge on floor. Measure and mark.

Secure parts with (2) 3" nails at each mark and (4) 3" nails at top plate seam.



12' EAVE WALL DOOR PANELS

PARTS REQUIRED:

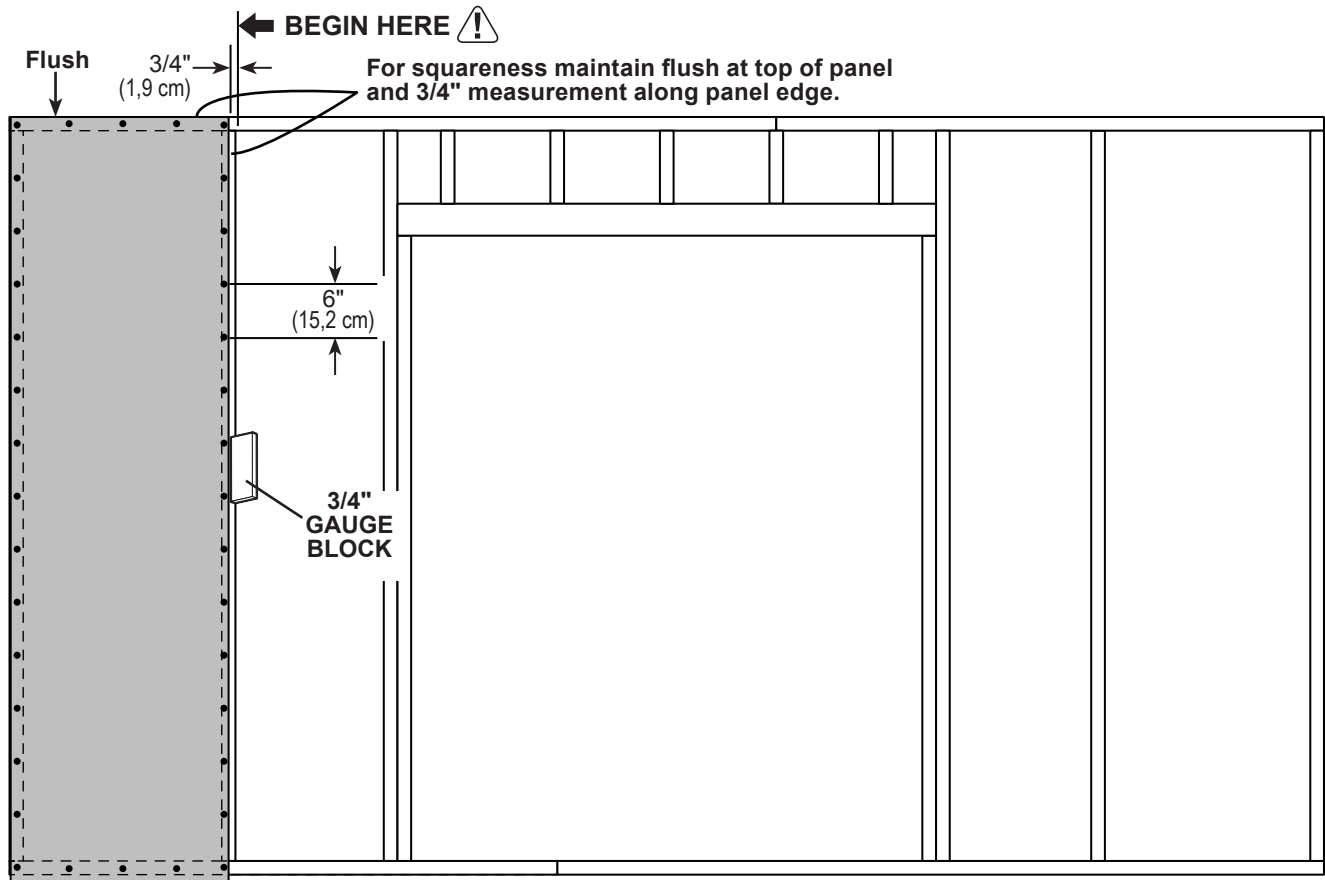


Install all panels with the primed side facing up.

✓ BEGIN

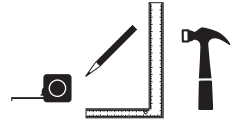
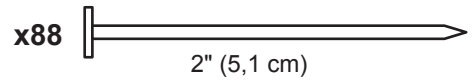
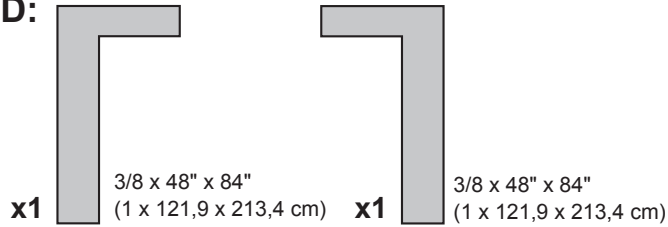
- 1 Place $23-7/8 \times 84"$ panel on wall frame flush to top of frame as shown. Use the gauge block to mark the $3/4"$ measurement on the wall stud.

Secure panel with 2" nails spaced 6" apart along edges.

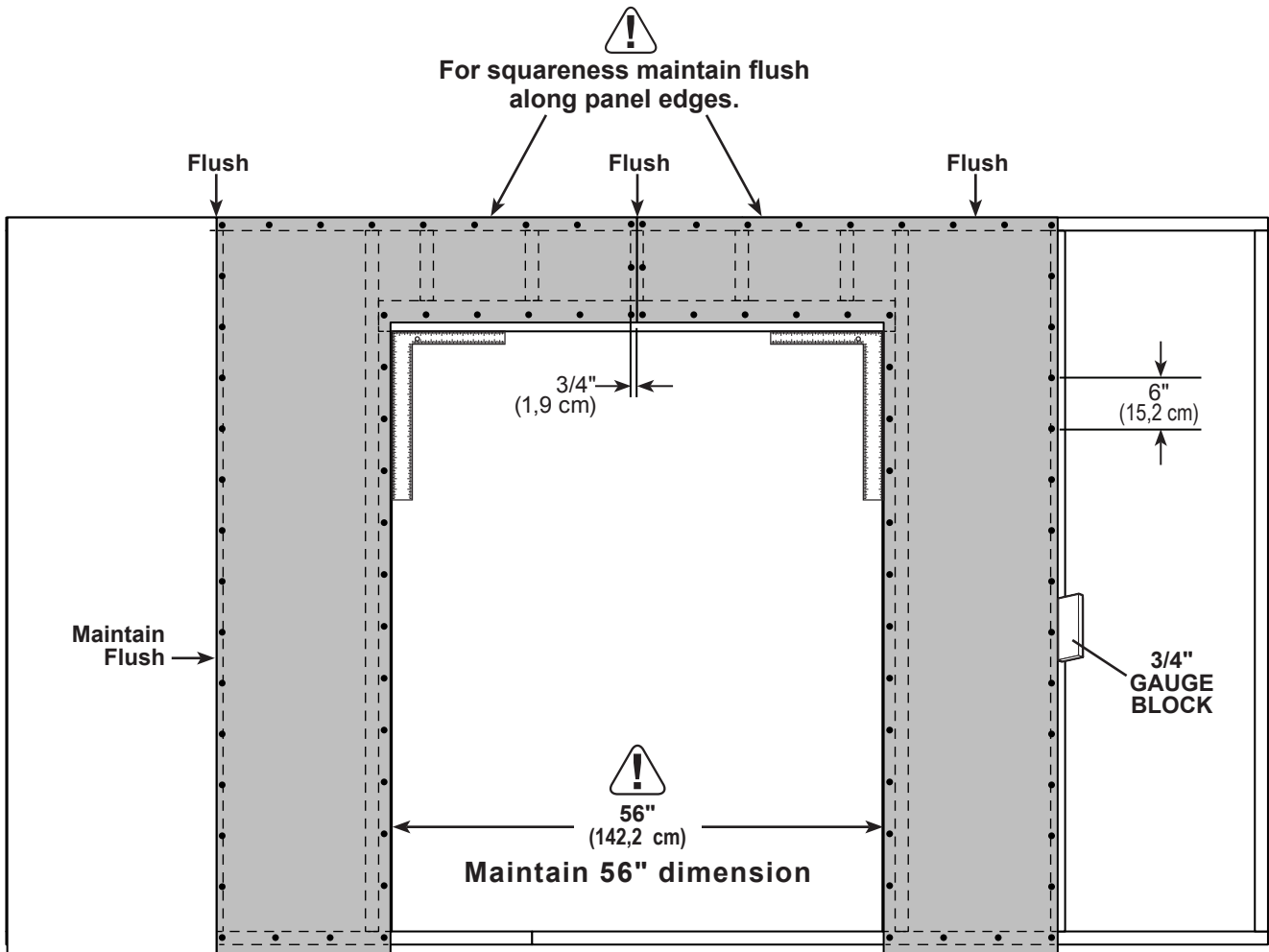


12' EAVE WALL DOOR PANELS

PARTS REQUIRED:

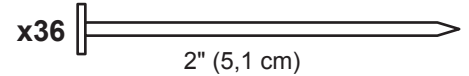
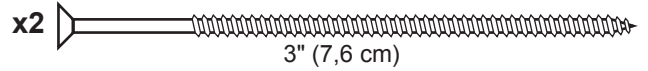
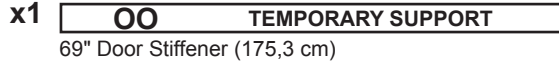
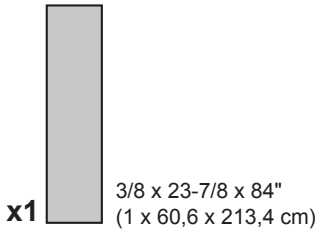


- Place left and right **48" x 84"** panels on wall frame flush to top of frame. Ensure the left **48" x 84"** panel is flush along edge of installed panel and both panels are flush to the top plate as shown. Use the gauge block to ensure the **3/4"** measurement on the wall stud. Secure panels with **2"** nails spaced **6"** apart along edges.



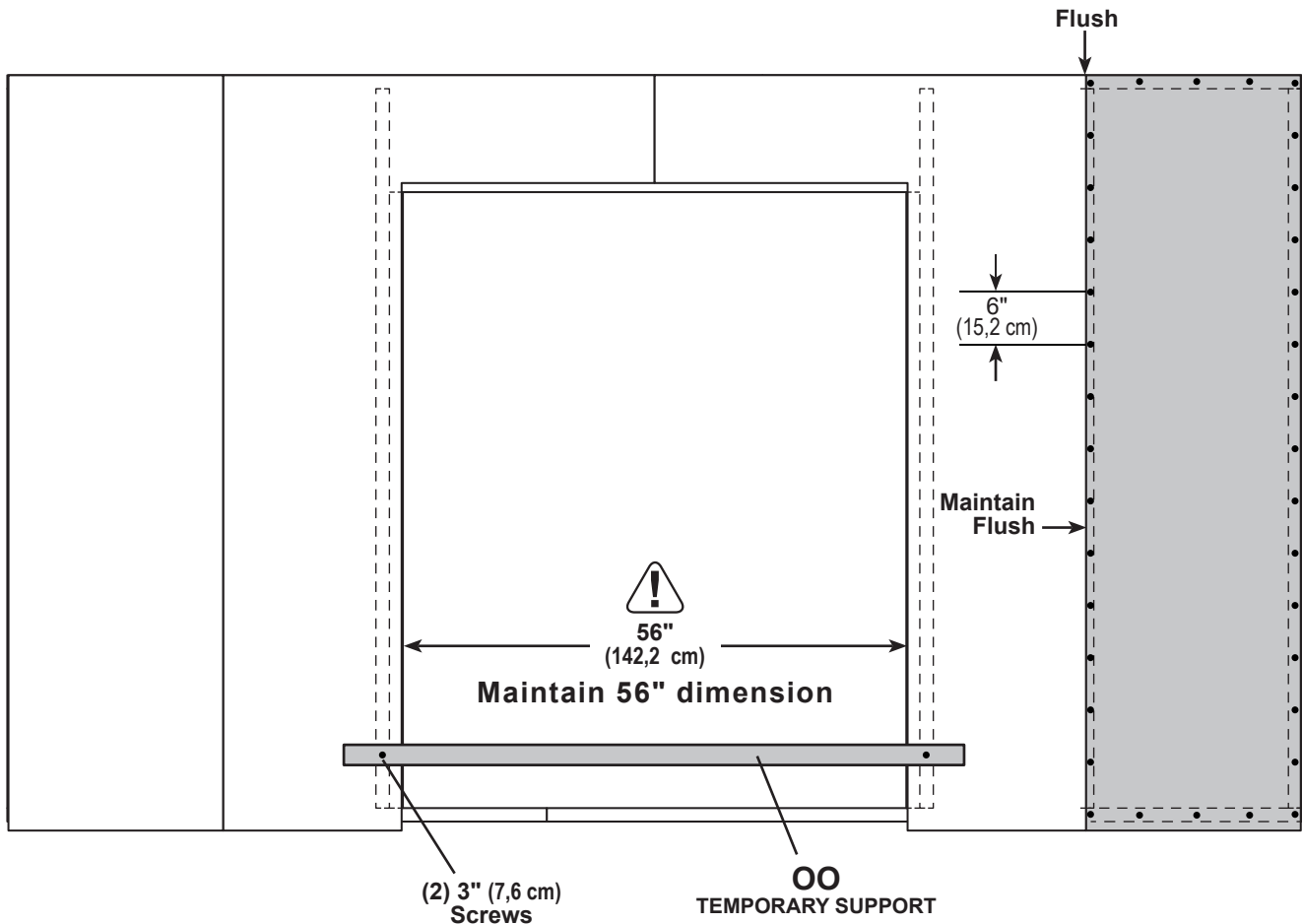
12' EAVE WALL DOOR PANELS

PARTS REQUIRED:

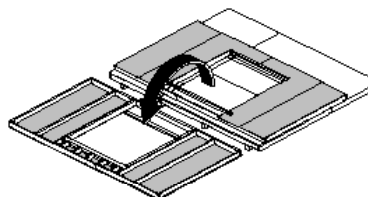


- Place **23-7/8 x 84"** panel on wall frame flush to top of frame as shown. Use the gauge block to mark the **3/4"** measurement on the wall stud. Secure panel with **2"** nails spaced **6"** apart along edges.

- Use **OO** as a temporary support brace to hold the **56"** (142,2 cm) measurement. Attach **OO** with two **3"** screws into studs as shown.



Carefully flip the 12' eave wall over.



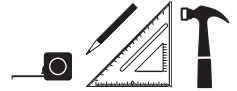
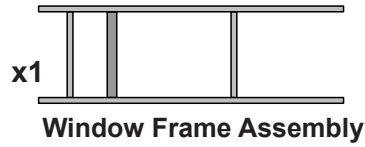
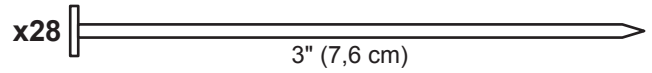
FINISH

Your eave wall with door is now finished.

10' GABLE WALL WINDOW FRAME

PARTS REQUIRED:

- x2 **STL**
2 x 4 x 44-1/2" (5,1 x 10,2 x 113 cm)
- x2 **YFA**
2 x 4 x 68-1/2" (5,1 x 10,2 x 174 cm)
- x4 **TK**
2 x 4 x 80" (5,1 x 10,2 x 203,2 cm)

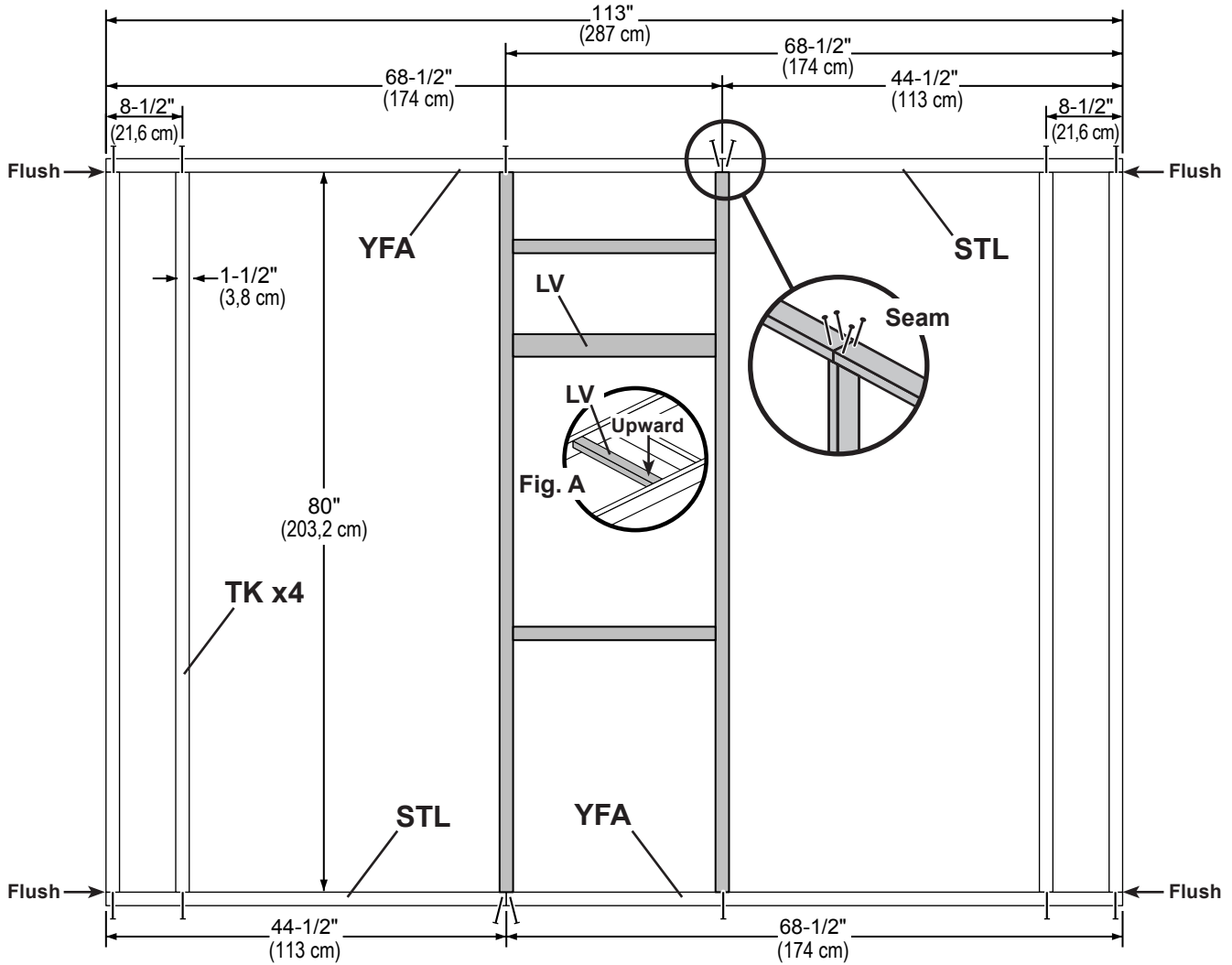
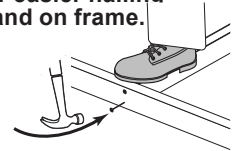


✓ BEGIN

- 1 Orient parts on edge on floor, stagger placement at seams. Measure and mark. Position the window frame assembly so LV is elevated above the floor (**Fig. A**).

Secure parts with (2) 3" nails at each mark and (4) nails at seams

HINT:
For easier nailing stand on frame.

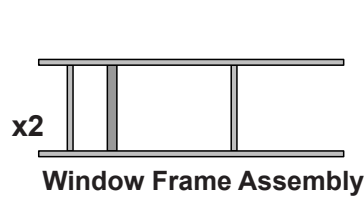


10' GABLE WALL WINDOW FRAME

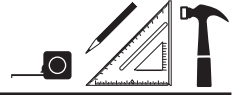
PARTS REQUIRED:

x1 **AMA**
2 x 4 x 7-1/2" (5,1 x 10,2 x 35,6 cm)

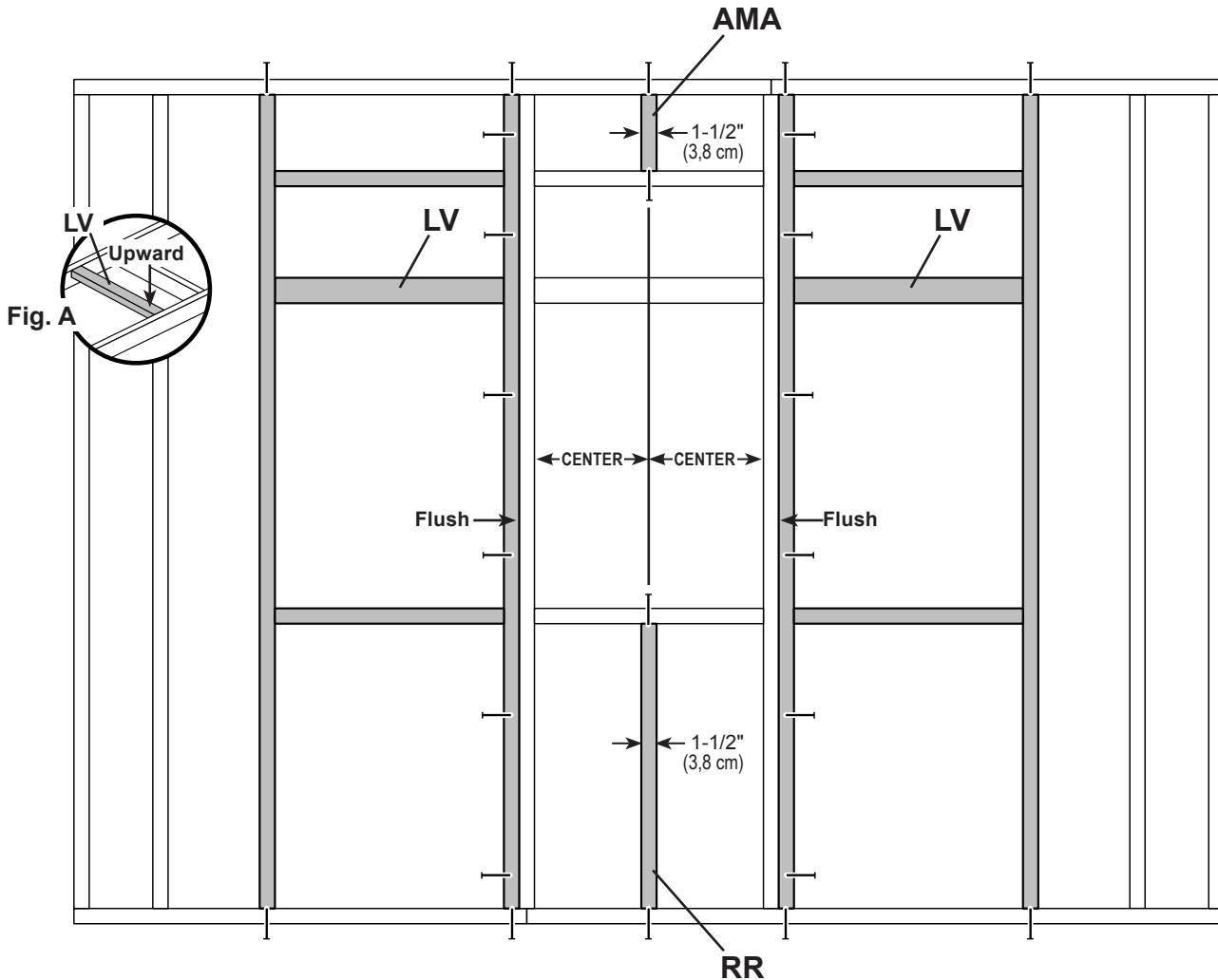
x1 **RR**
2 x 4 x 28" (5,1 x 10,2 x 71,1 cm)



x48 3" (7,6 cm)

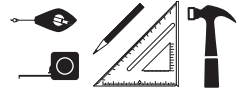
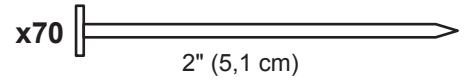
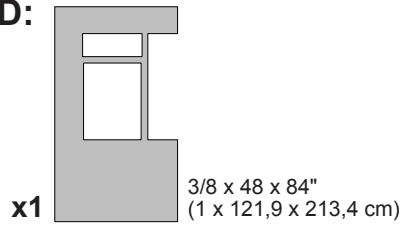


- 2 Position the (2) window frame assemblies flush to the installed window frame. Ensure that part **LV** is elevated above the floor (**Fig. A**). Center parts **AMA** and **RR** in the middle window frame assembly. Measure and mark. Secure parts with (2) 3" nails at each at each connection and as shown.



10' GABLE WALL WINDOW PANELS

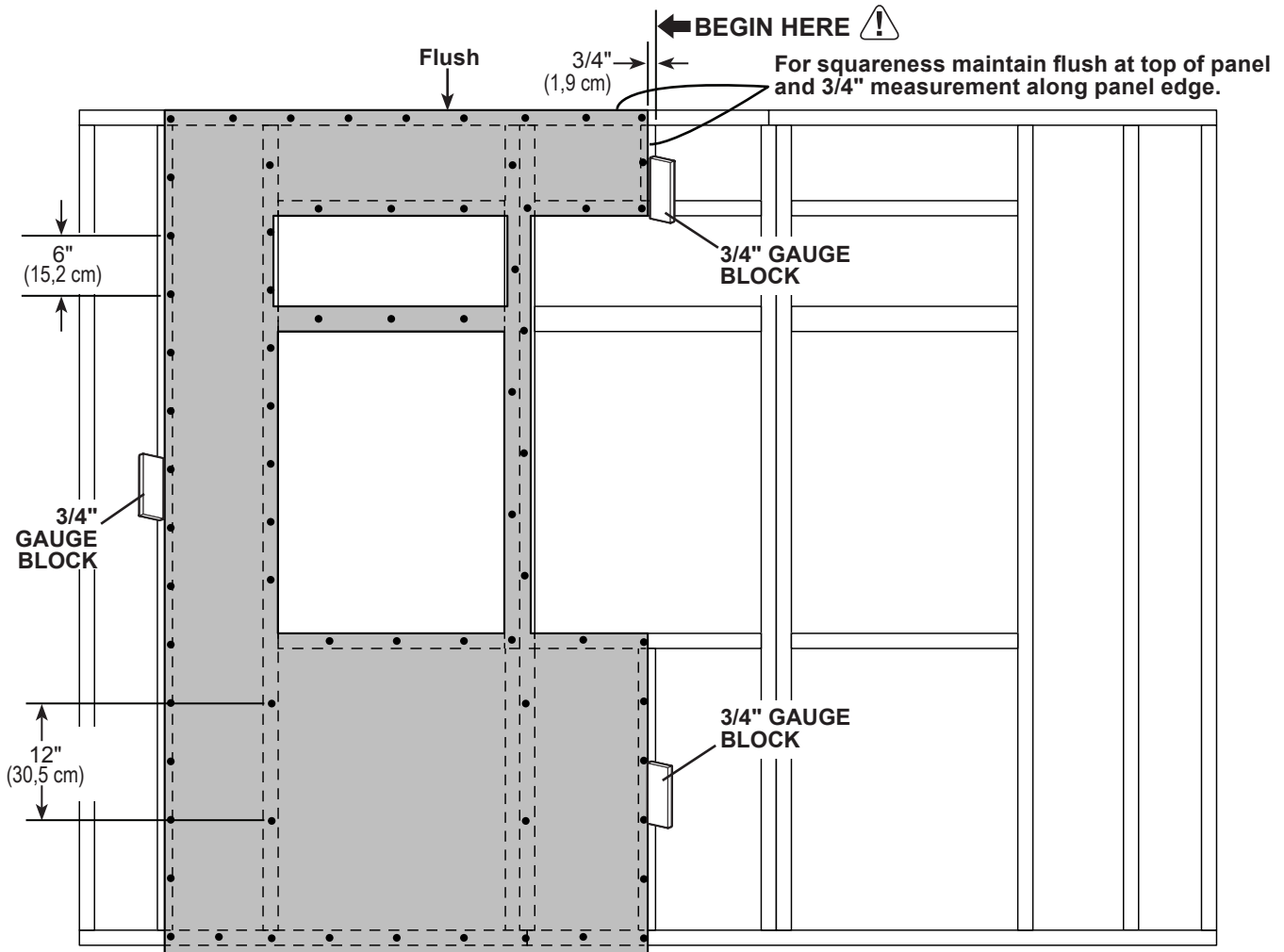
PARTS REQUIRED:



Install all panels with the primed side facing up.

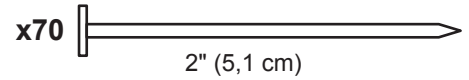
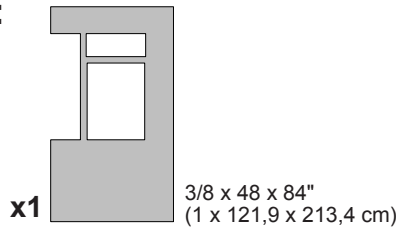
✓ BEGIN

- 1** Place left **48 x 84"** panel on wall frame flush to top of frame.
Ensure panel maintains flush along edge and flush to top of framing as shown.
Use the gauge block to ensure the $3/4"$ measurement on the wall stud.
Secure panel with 2" nails spaced 6" apart along edges and 12" apart inside panel.

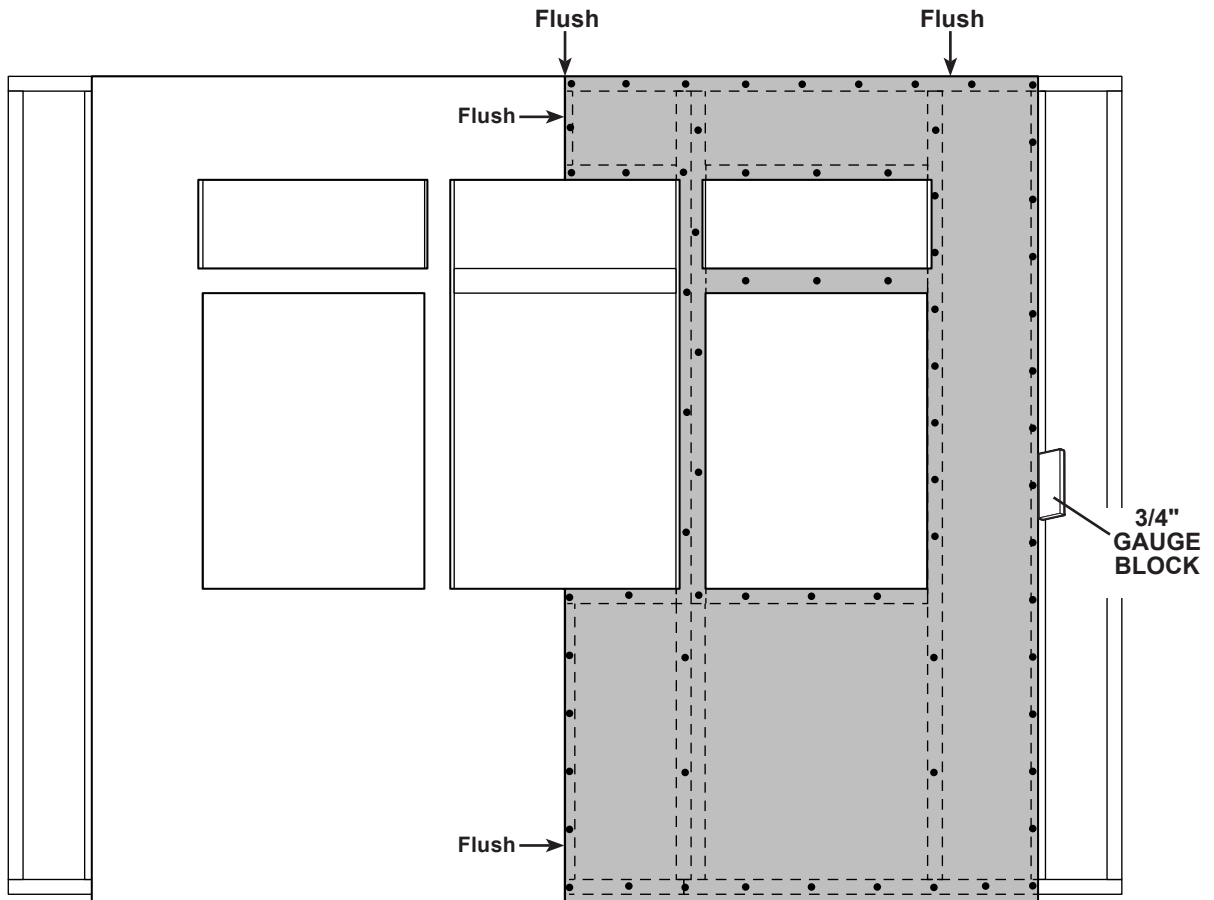


10' GABLE WALL WINDOW PANELS

PARTS REQUIRED:





- 2 Place right **48 x 84"** panel on wall frame flush to top of frame. Ensure panel maintains flush along edge and flush to top of installed panel as shown. Use the gauge block to ensure the **3/4"** measurement on the wall stud. Secure panel with **2"** nails spaced **6"** apart along edges and **12"** apart inside panel.

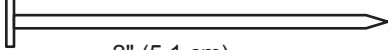


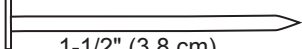
10' GABLE WALL WINDOW PANELS

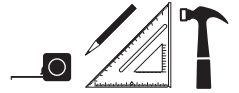
PARTS REQUIRED:

x1 
 3/8" x 2-1/2" x 23-1/4"
 (1 x 6,3 x 59,1 cm)

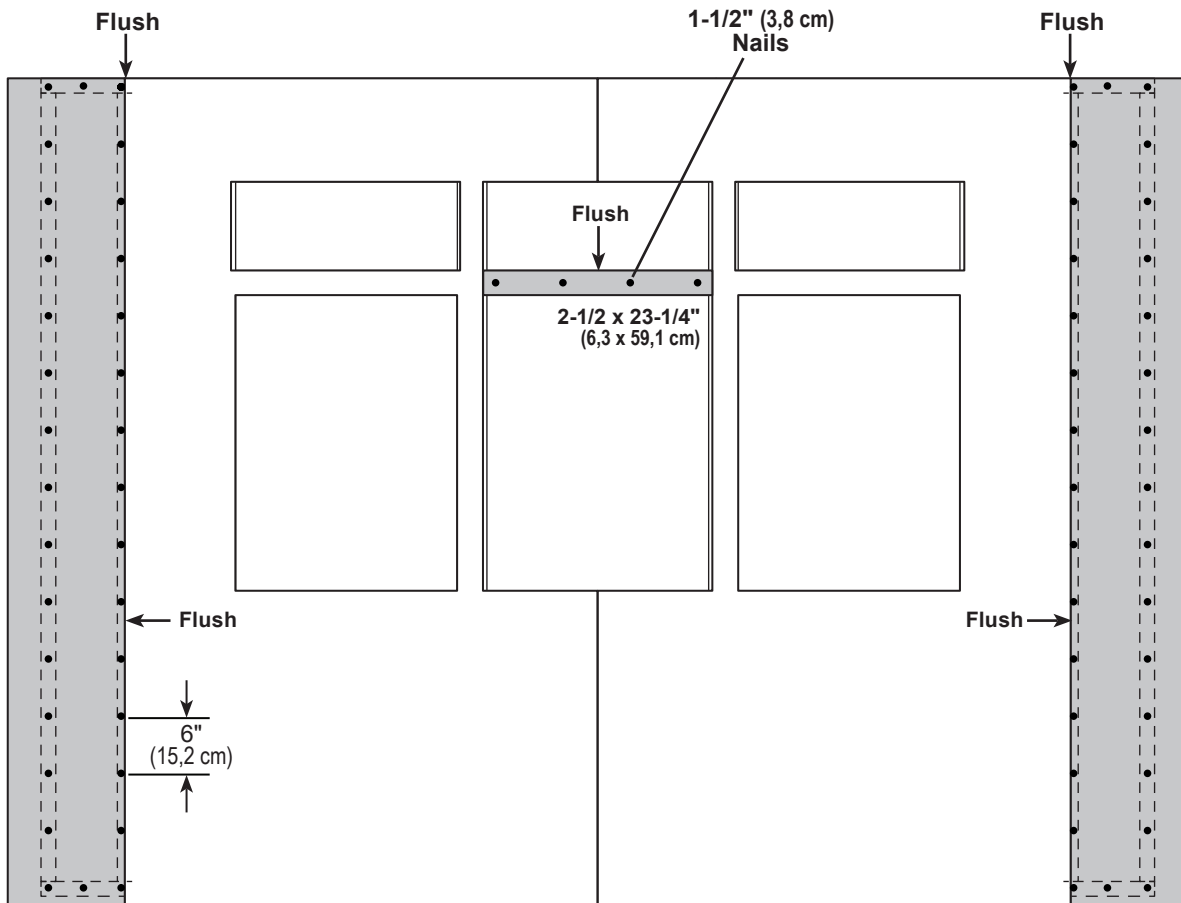
x2 
 3/8" x 11-7/8" x 84"
 (1 x 30,2 x 213,4 cm)

x64 
 2" (5,1 cm)

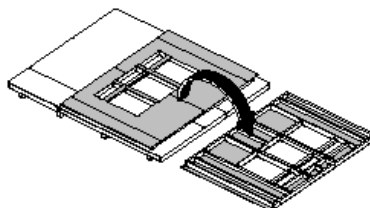
x4 
 1-1/2" (3,8 cm)



- Place (2) 11-7/8 x 84" panels on wall frame flush to top of frame. Flush panels to edges of installed panels. Center the 2-1/2 x 23-7/8" filler panel between installed panels, as shown with primed side up. Secure panels with 2" nails spaced 6" apart along edges.



Carefully flip the 10' gable wall over.






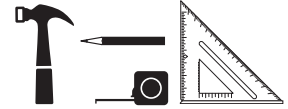
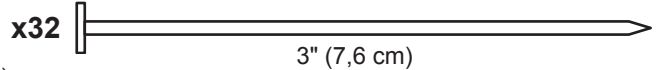
Your 10' window wall is now assembled.

Continue building walls on next page.

12' EAVE WALL FRAME

PARTS REQUIRED:

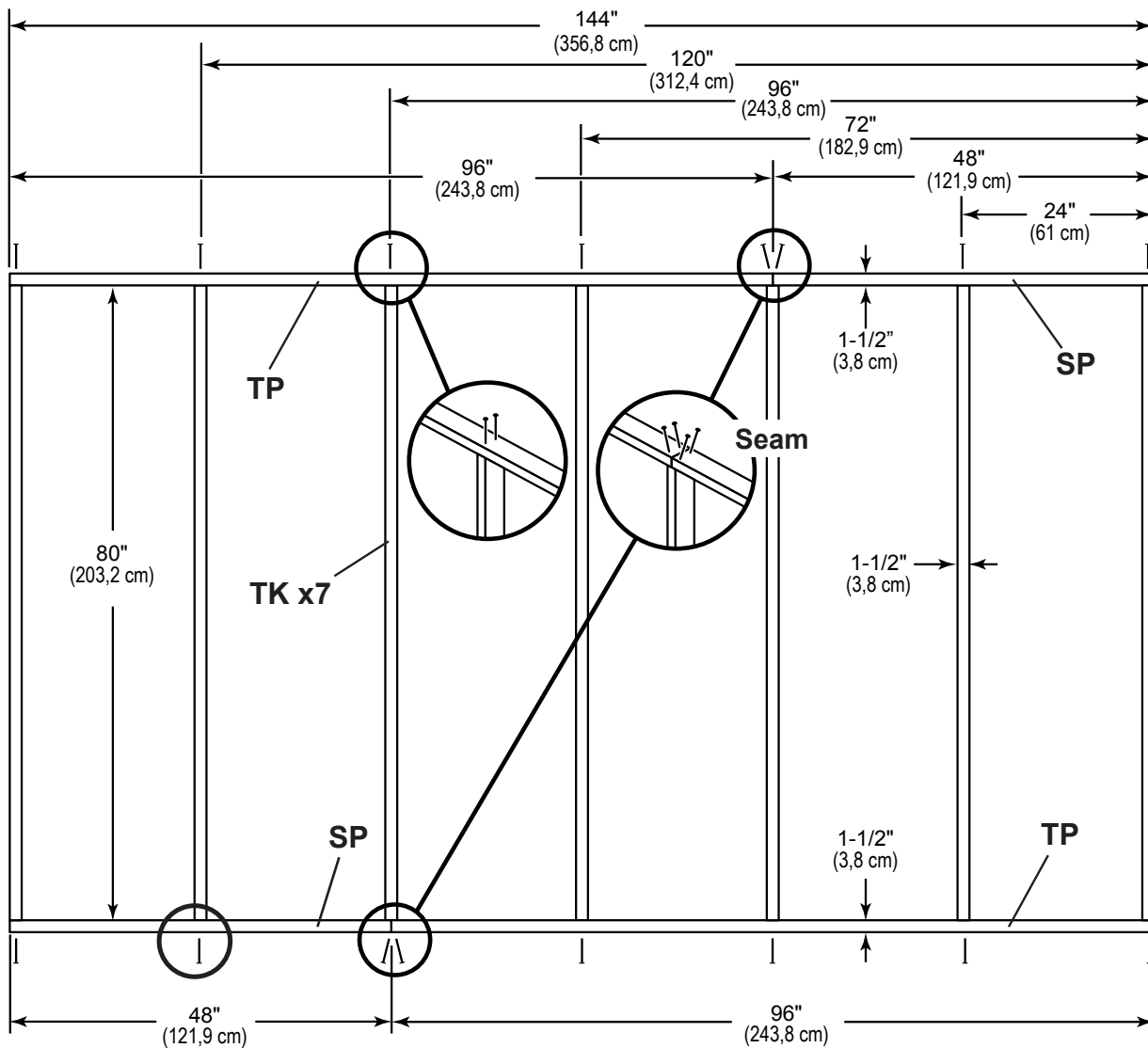
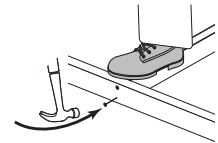
- x2 **SP**  2 x 4 x 48" (5,1 x 10,2 x 121,9 cm)
- x7 **TK**  2 x 4 x 80" (5,1 x 10,2 x 203,2 cm)
- x2 **TP**  2 x 4 x 96" (5,1 x 10,2 x 243,8 cm)



✓ BEGIN

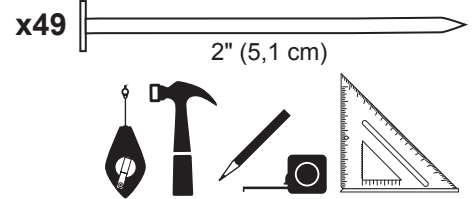
- 1 Orient parts on edge on floor. Stagger placement at seams. Measure and mark. Secure with (2) 3" nails at each mark and (4) 3" nails at seams

HINT: For easier nailing stand on frame.



12' EAVE WALL PANELS

PARTS REQUIRED:



Install all panels with the primed side facing up.

 Ensure your wall frame is square by installing one panel and squaring frame.

✓ BEGIN

- 1 Place 48 x 84" panel on wall frame flush to top of frame as shown. Use the gauge block to mark the 3/4" measurement on the wall stud. Secure panel with (2) 2" nails in the corners (**Fig. A**).
- 2 Move to the opposite end. Using the long edge of the panel as a lever move the panel side-to-side until you have a 3/4" measurement on the wall stud. Secure corner with (2) 2" nails (**Fig. B**).

Nail the panel with 2" nails spaced 6" apart on edges and 12" apart inside panel.

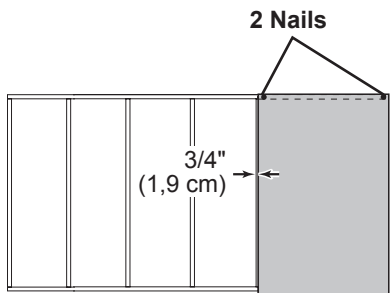


Fig. A

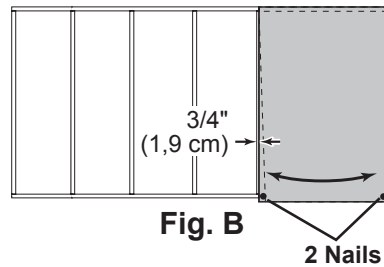
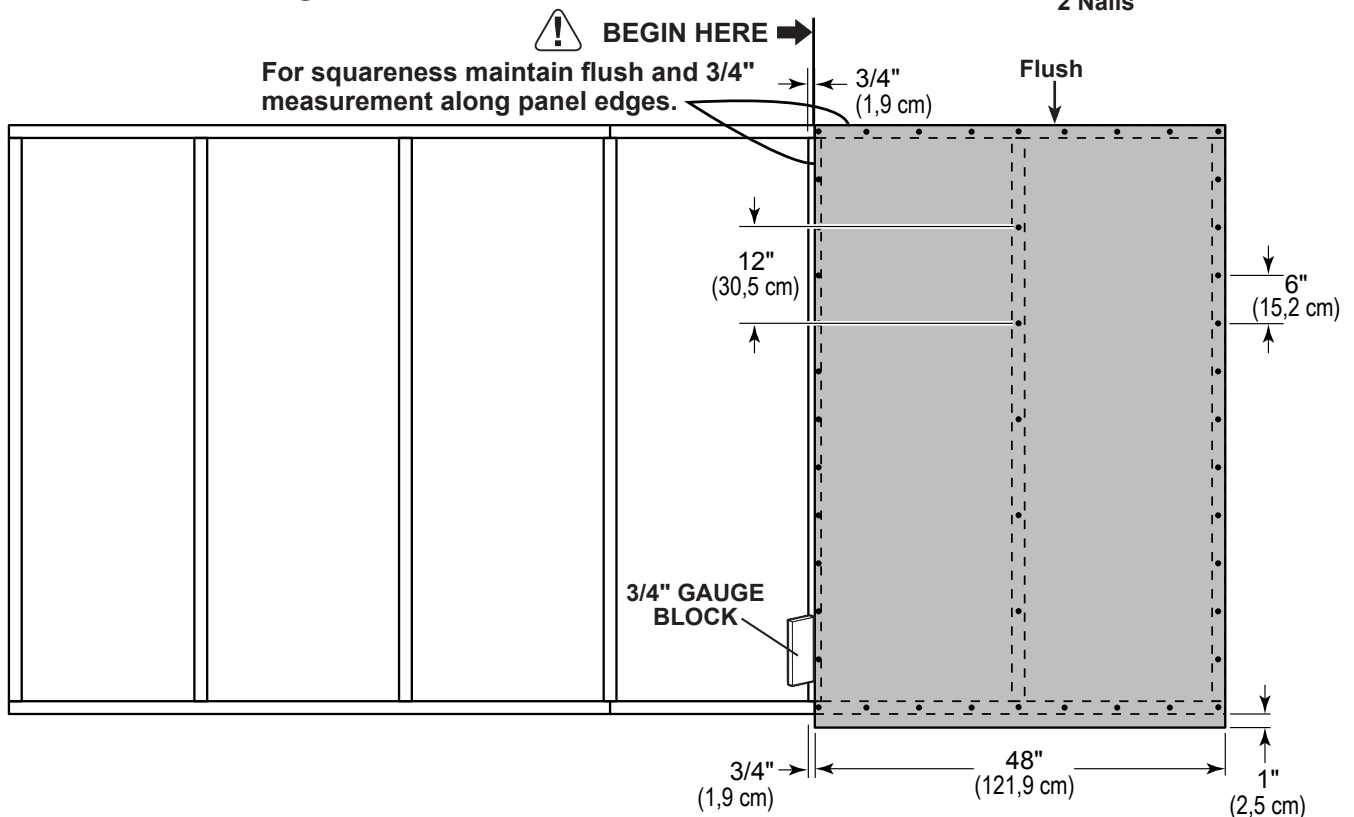


Fig. B



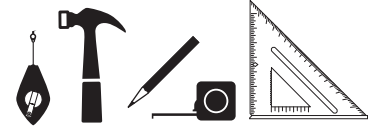
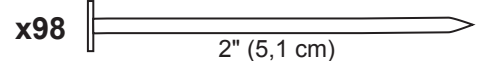
12' EAVE WALL PANELS

PARTS REQUIRED:



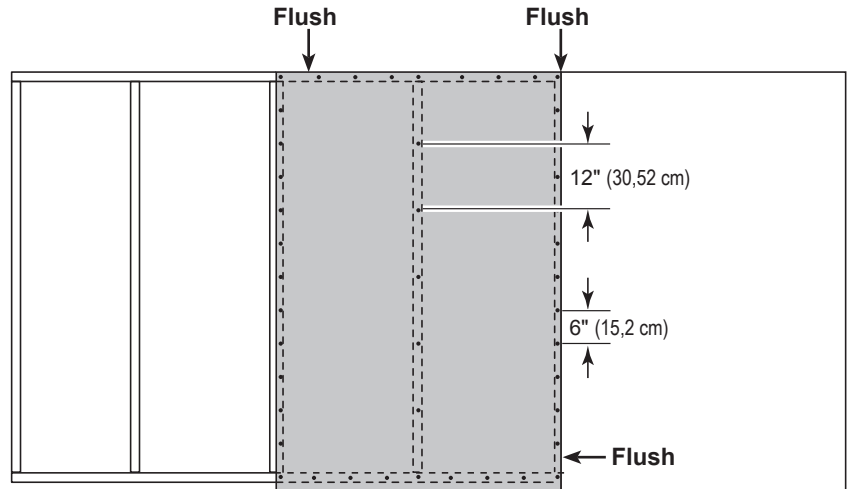
x2

48 x 84"
(121,9 x 213,4 cm)



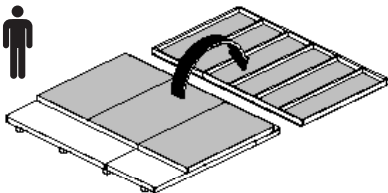
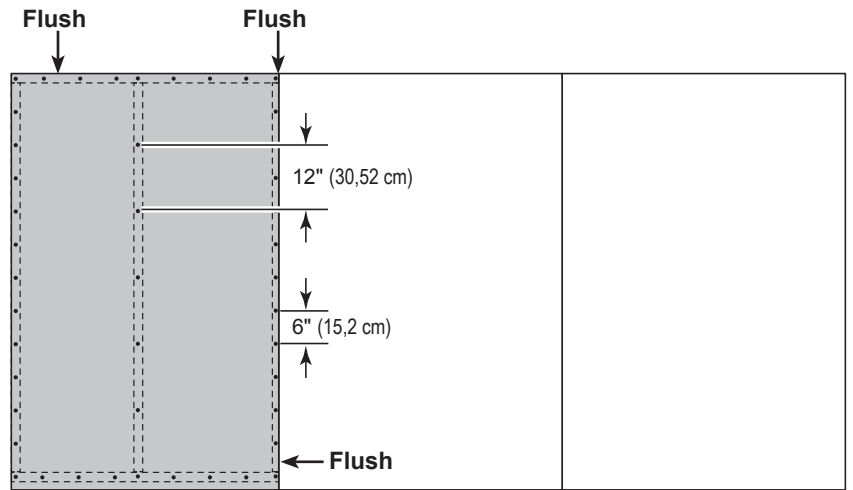
- Place center **48" x 84"** panel on frame. Flush panel to top of top plate and to installed panel.

Secure with 2" nails spaced 6" apart on edges and 12" apart inside panel.



- Place end **48" x 84"** panel on frame. Flush panel to top of top plate and to installed panel.

Secure with 2" nails spaced 6" apart on edges and 12" apart inside panel.



Carefully flip the eave wall over.



You have finished building your 12' eave wall.

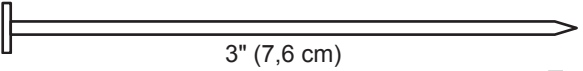
GABLE END WALL

PARTS REQUIRED:

x6 **TK**
2 x 4 x 80" (5,1 x 10,2 x 203,2 cm)

x2 **YFA**
2 x 4 x 68-1/2" (5,1 x 10,2 x 174 cm)

x2 **STL**
2 x 4 x 44-1/2" (5,1 x 10,2 x 113 cm)

x28  3" (7,6 cm)

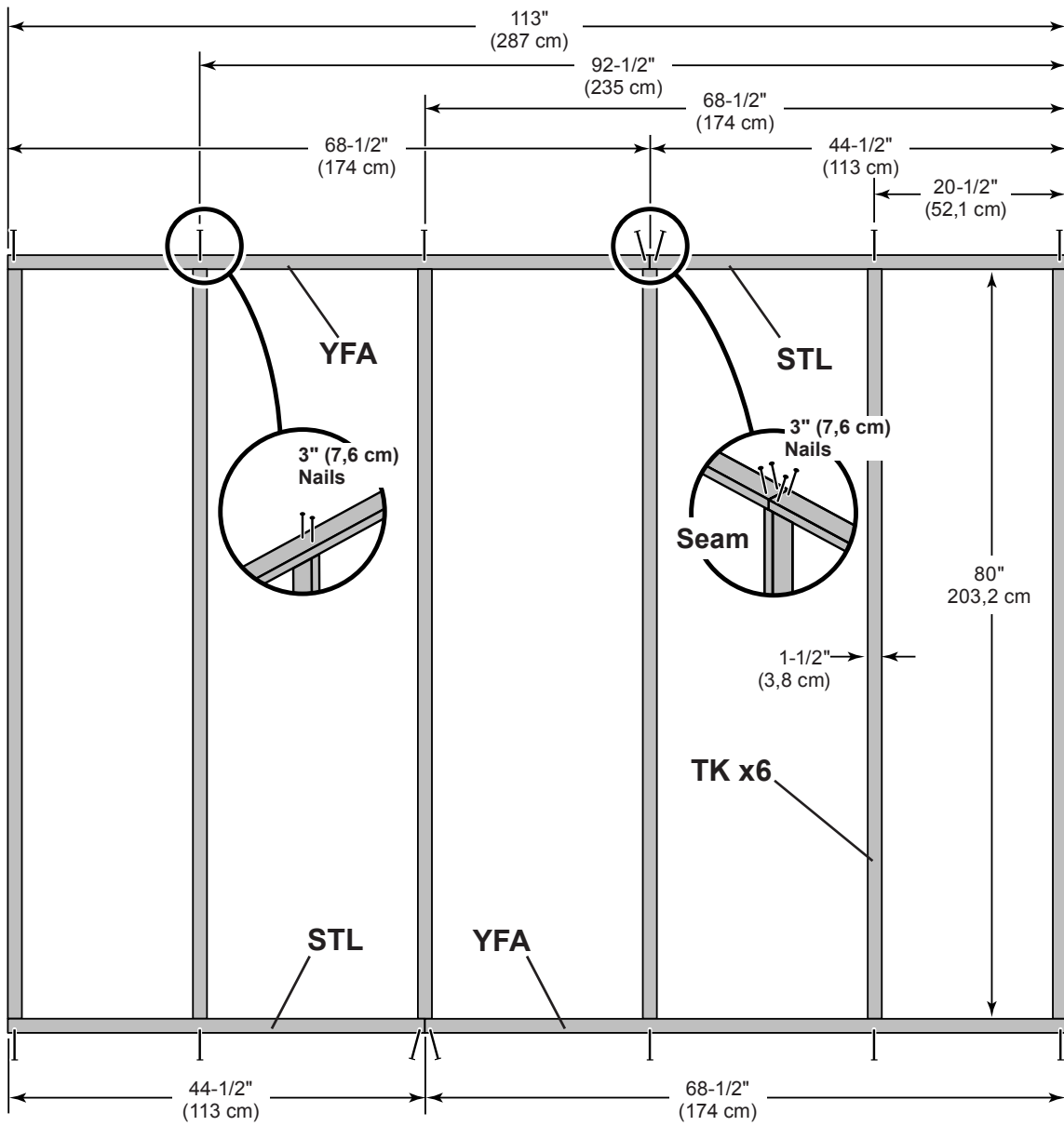


✓ **BEGIN**

1 Orient parts on edge on floor. Measure and mark.

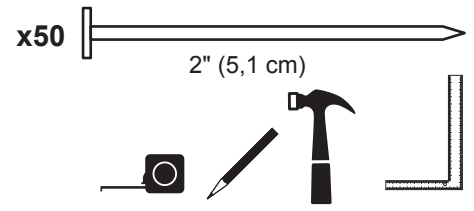
Secure parts with (2) 3" nails at each mark and (4) nails at seams.

HINT: For easier nailing stand on frame.



GABLE END WALL

PARTS REQUIRED:

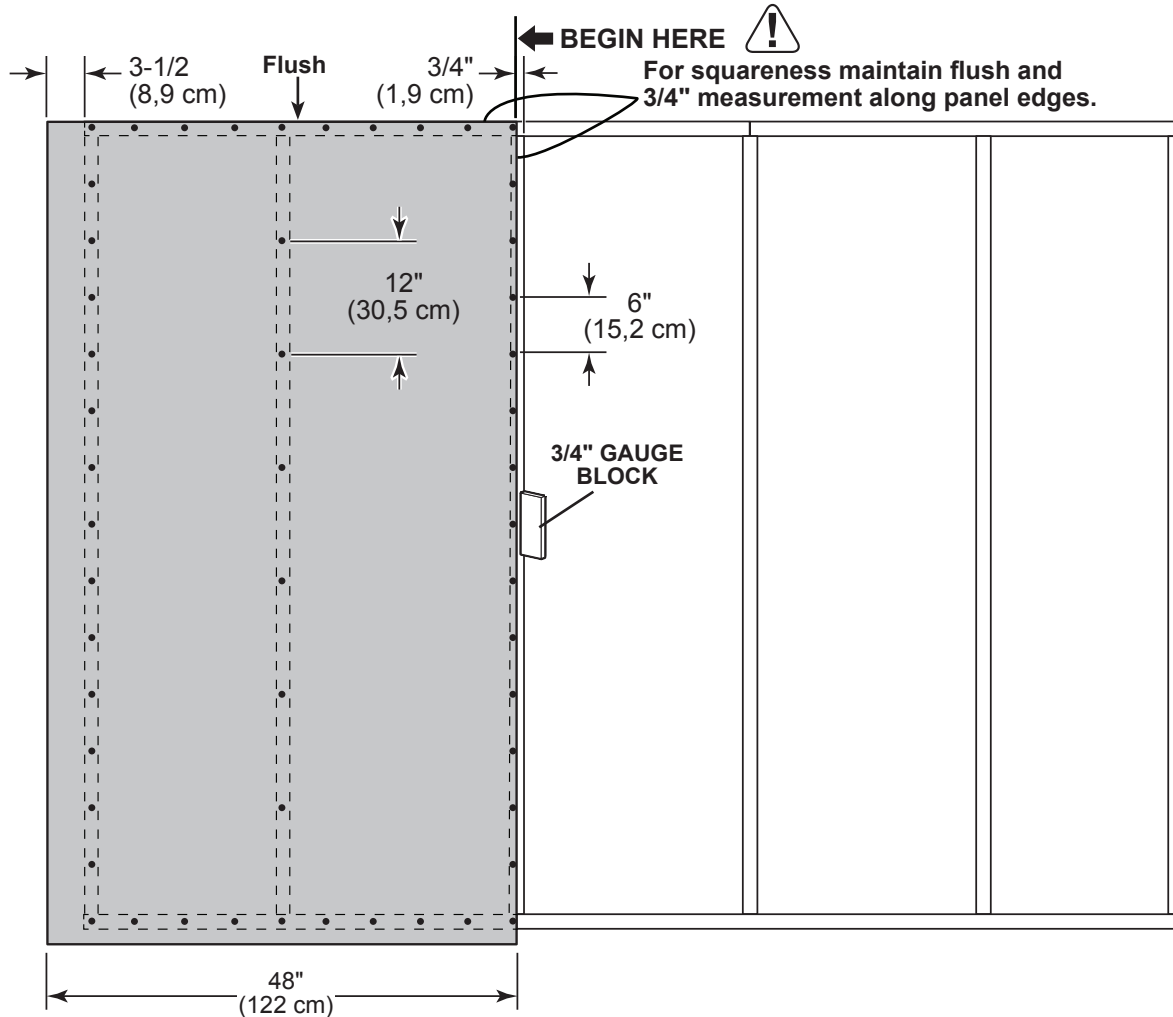


Install all panels with the primed side facing up.

- 2** Place 48" x 84" panel on frame, flush at top and with a 3/4" gap on right side.

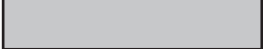
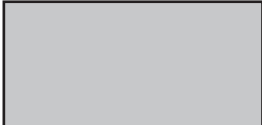
 **Maintain 3/4" measurement along edge.**

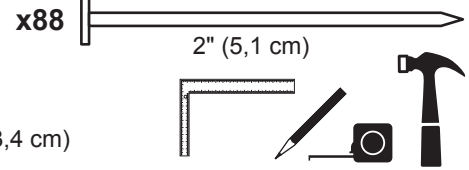
Secure panel to frame with 2" nails spaced 6" apart along edges and 12" inside panel..



GABLE END WALL

PARTS REQUIRED:

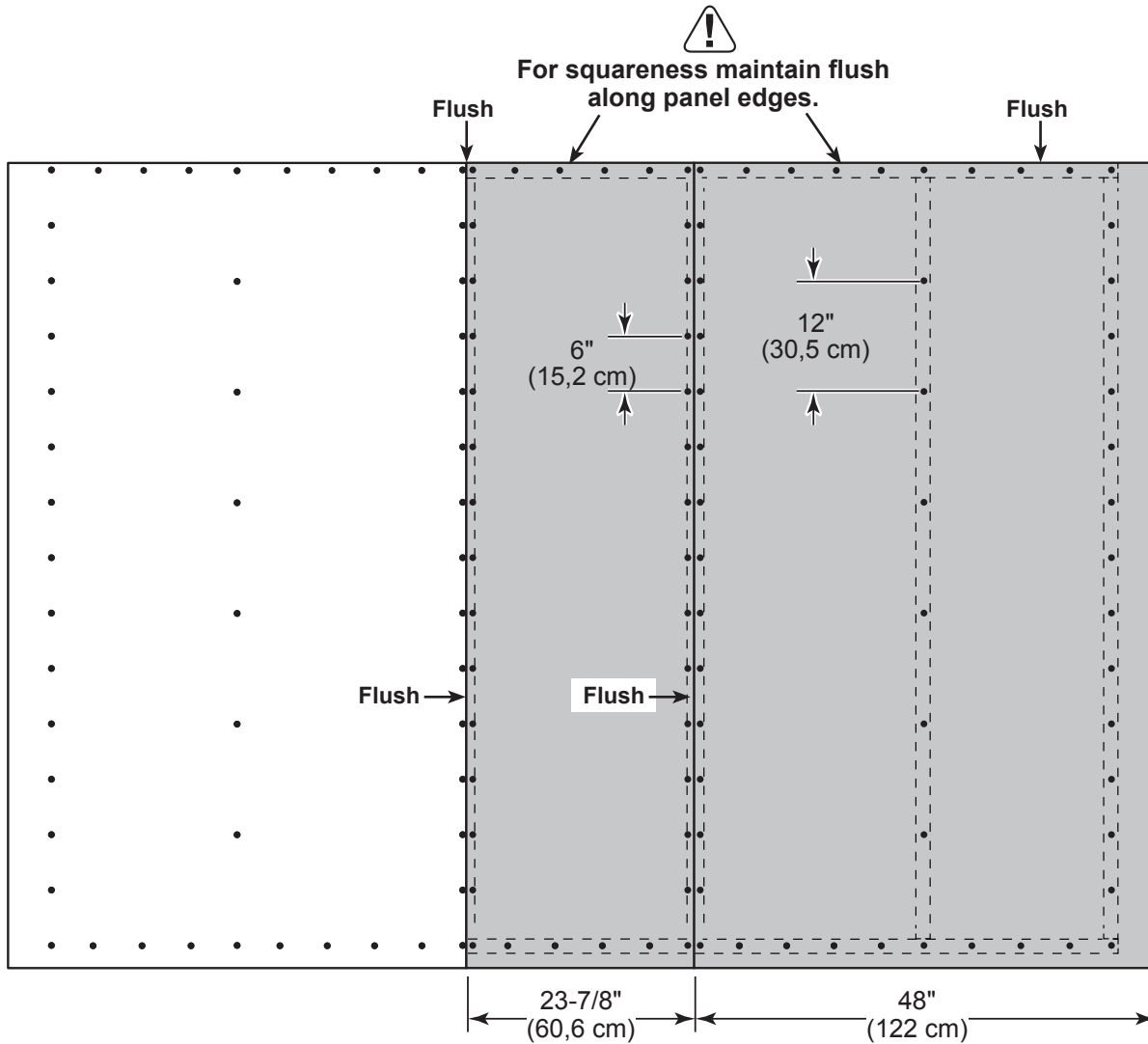
x1  23-7/8 x 84"
(60,6 x 213,4 cm) x1  48 x 84"
(122 x 213,4 cm)



3 Install 23-7/8" x 84" and 48" x 84" flush with installed panels as shown.

Ensure panels are flush at top.

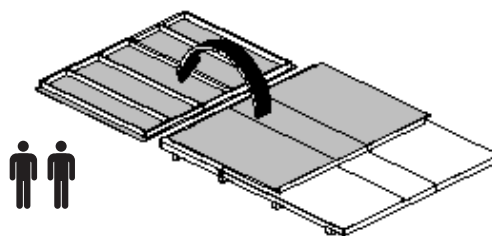
Secure with 2" nails spaced 6" apart on edges and 12" inside panel.



Carefully flip the gable end wall over.



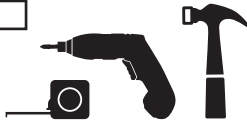
You have finished building your gable end wall.



12' EAVE WALL INSTALLATION

PARTS REQUIRED:

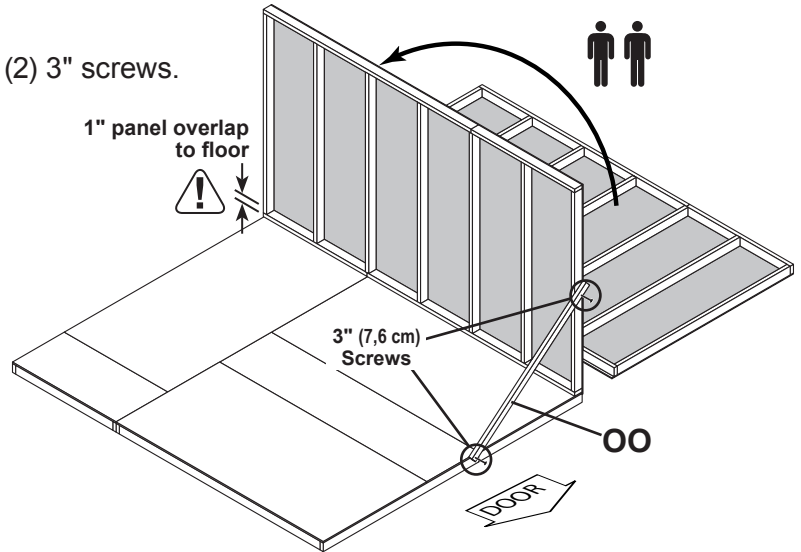
x1 **OO** TEMPORARY SUPPORT
69" (175,3) Door Stiffener



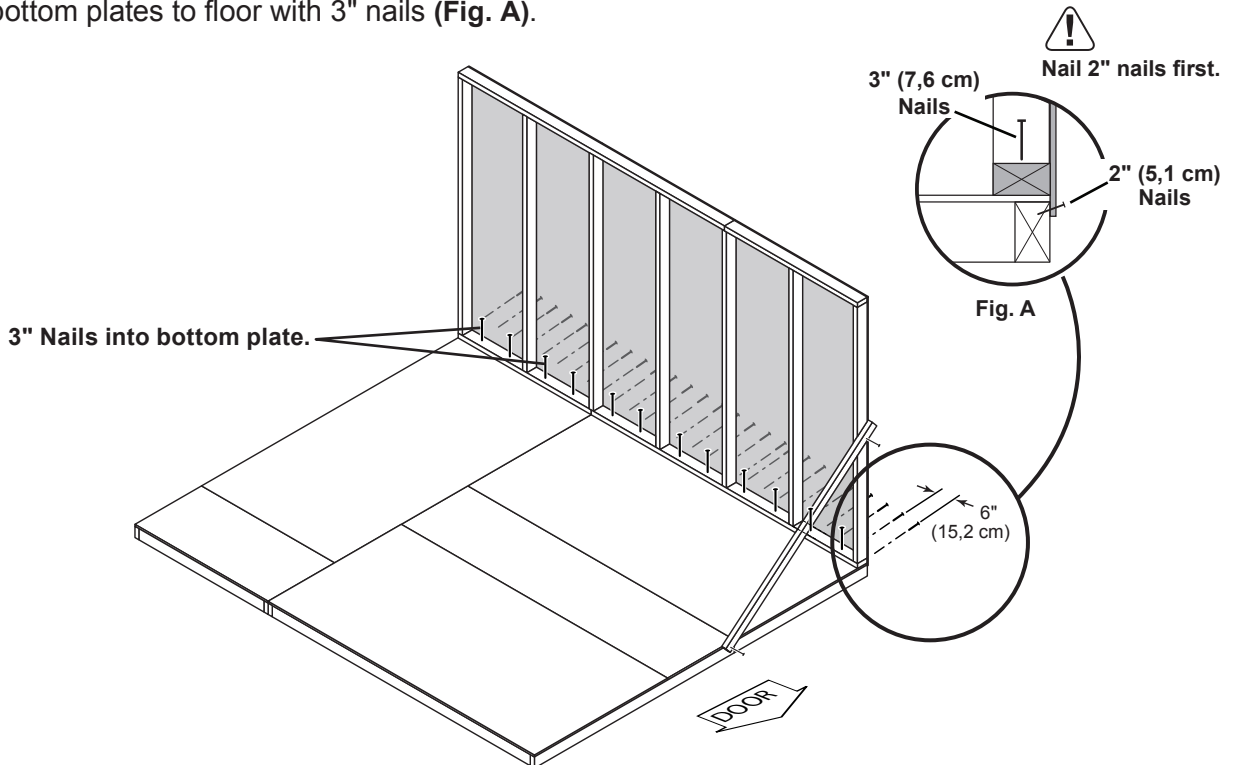
x12 3" (7,6 cm)
x2 3" (7,6 cm)
x27 2" (5,1 cm)

✓ BEGIN

- 1 Center eave wall assembly on the floor.
- 2 Use **OO** as a temporary brace. Secure with (2) 3" screws.



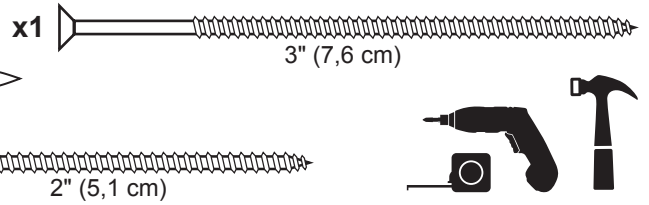
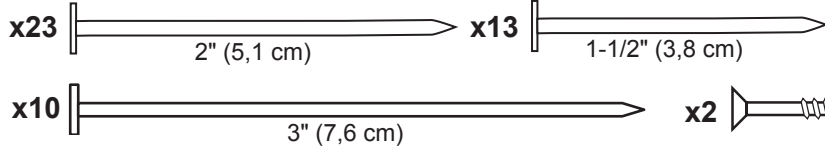
- 3 Nail lower edge of panel to floor frame with 2" nails spaced 6" apart. Angle nails to hit floor frame (**Fig. A**).
- 4 Secure bottom plates to floor with 3" nails (**Fig. A**).



Your 12' eave wall is now installed.

10' GABLE END WALL INSTALLATION

PARTS REQUIRED:



✓ **BEGIN**



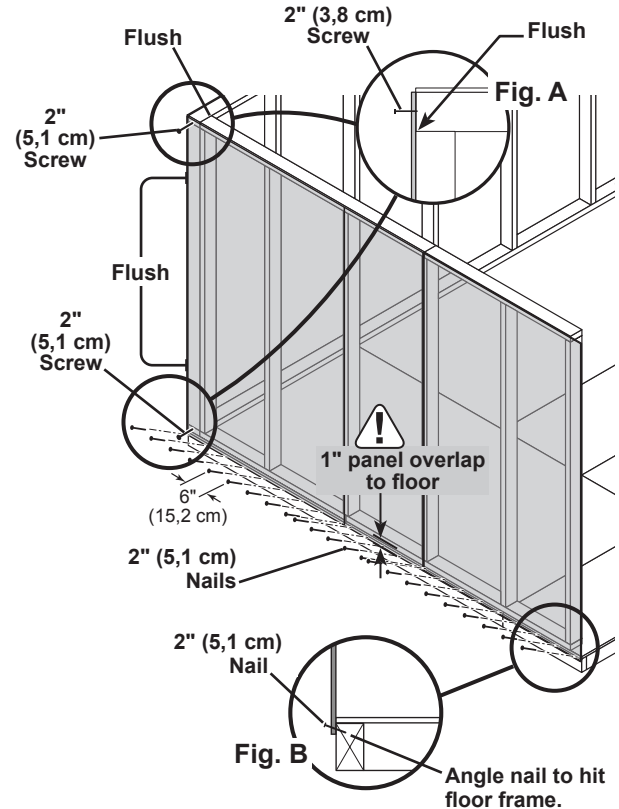
1 Set gable end wall on floor and secure top of wall with (1) 2" screw into eave wall top plate (**Fig A**).

! ENSURE TOP OF WALL FRAMES ARE FLUSH.

2 Move to the bottom of gable end wall and secure bottom of wall with (1) 2" screw into eave wall bottom plate (**Fig A**).

Nail lower edge of panels to floor with 2" nails spaced 6" apart. Angle nails to hit floor frame (**Fig. B**).

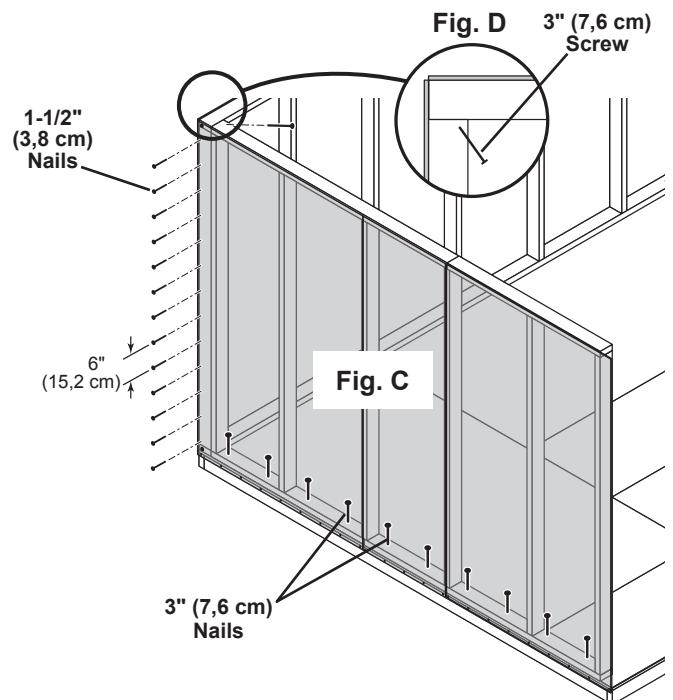
! ENSURE GABLE AND BACK WALL PANELS ARE FLUSH BEFORE SECURING.



3 Nail gable wall panel to eave wall stud with 1-1/2" nails spaced 6" apart (**Fig. C**).

Secure gable wall to floor with 3" nails (**Fig. C**).

Secure gable wall top frame with (1) 3" screw angled into eave wall top plate as shown (**Fig. D**).





Your gable end wall is now installed

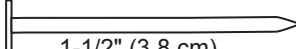
12' WINDOW WALL INSTALLATION

PARTS REQUIRED:

x1 **UN** TEMPORARY SUPPORT
2 x 4 x 94-1/2" (5,1 x 10,2 x 240 cm)

x2  2" (5,1 cm)

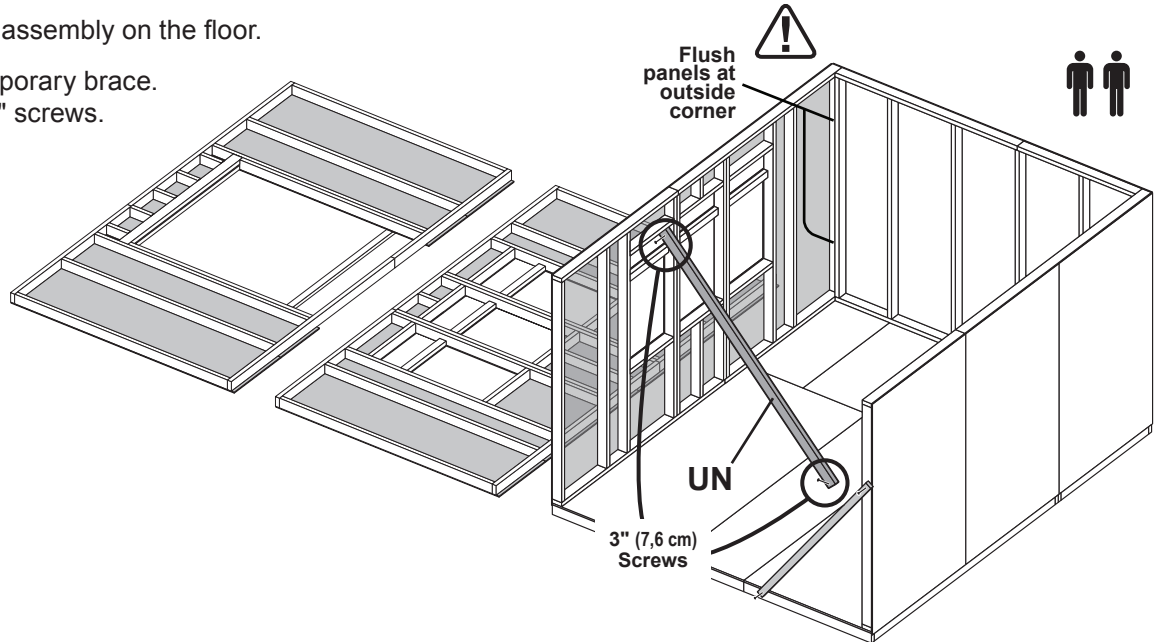
x3  3" (7,6 cm)

x13  1-1/2" (3,8 cm)



✓ BEGIN

- Center eave wall assembly on the floor.
Use UN as a temporary brace.
Secure with (2) 3" screws.



- Secure top of wall with (1) 2" screw into top plate (Fig A).

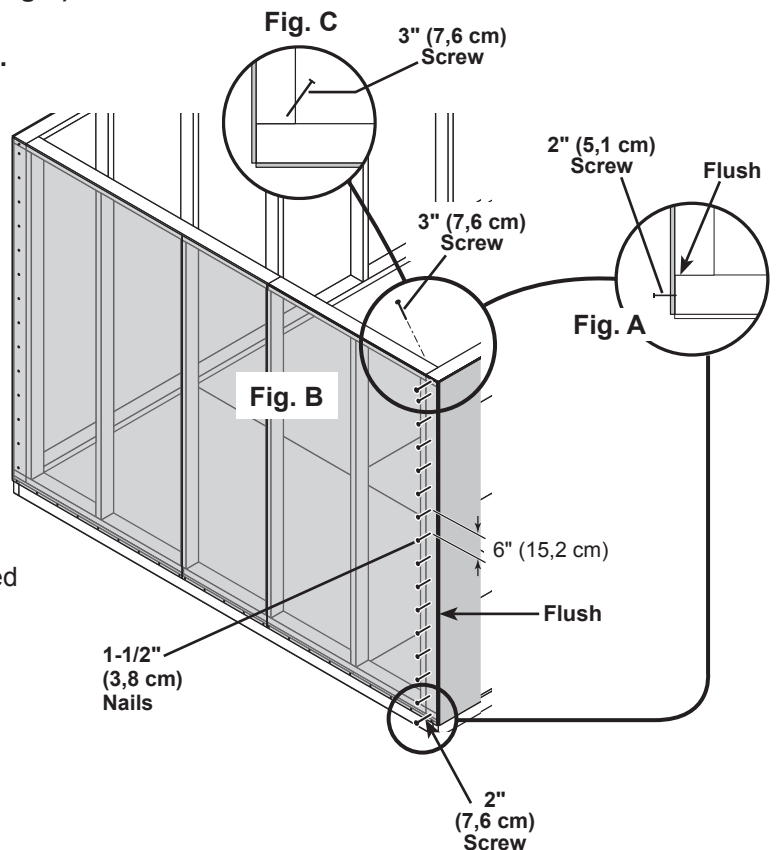
 **BE SURE TOP OF WALL FRAMES ARE FLUSH.**

Move to the bottom of gable end wall and secure bottom of wall with (1) 2" screw into eave wall bottom plate (Fig A).

Nail gable wall panel to front wall stud with 1-1/2" nails spaced 6" apart (Fig. B).

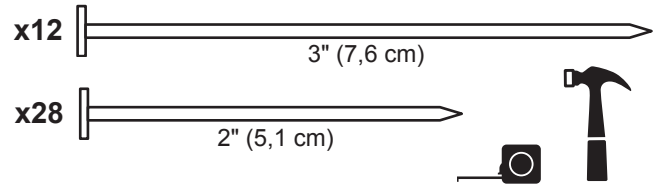
 **ENSURE GABLE AND FRONT WALL PANELS ARE FLUSH BEFORE SECURING.**

- Secure gable wall top plate with (1) 3" screw angled into eave wall top plate as shown (Fig. C).



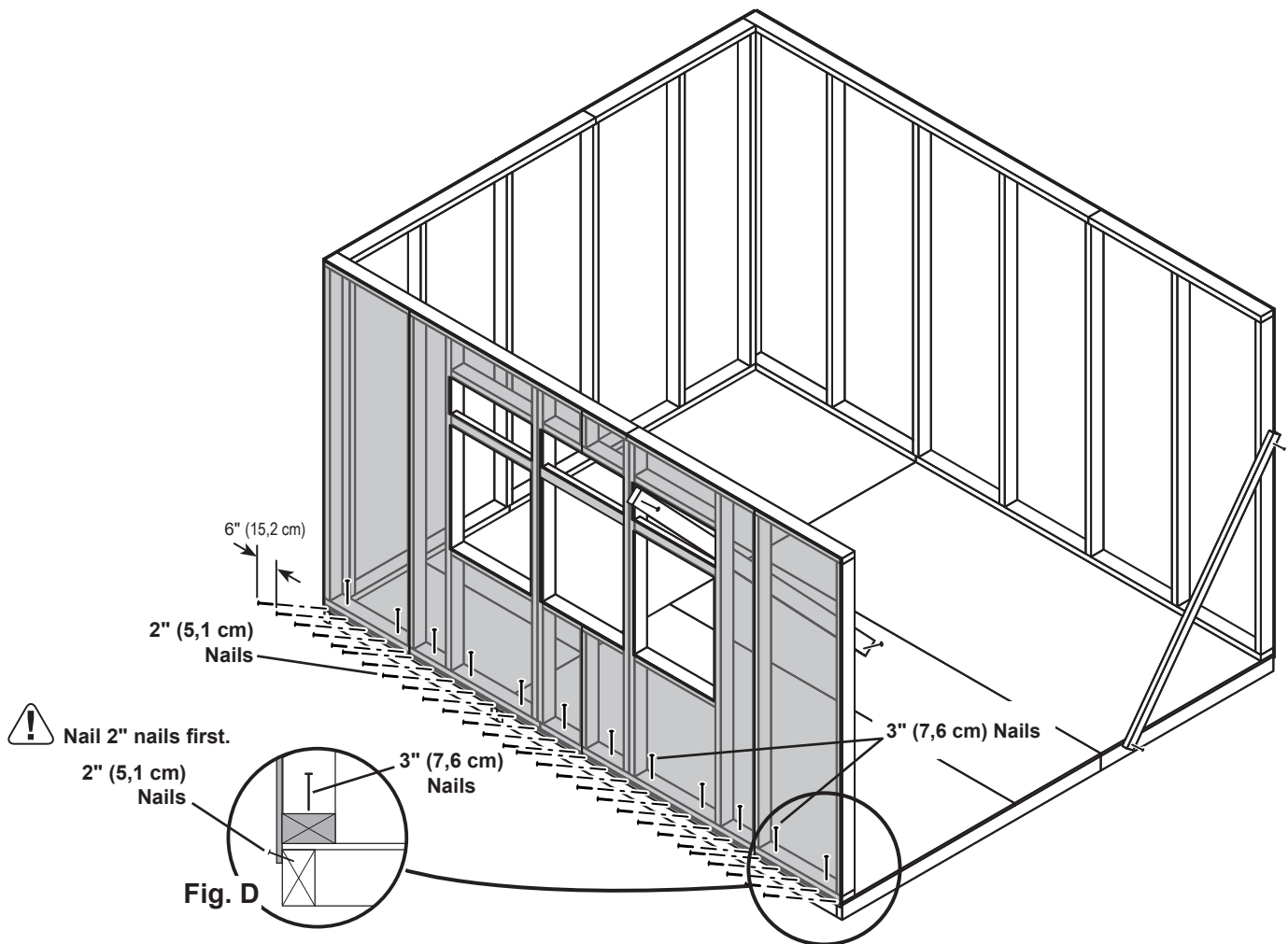
12' WINDOW WALL INSTALLATION

PARTS REQUIRED:



- 4 Nail lower edge of panels to floor frame with 2" nails spaced 6" apart.
Angle nails into floor frame (**Fig. D**).

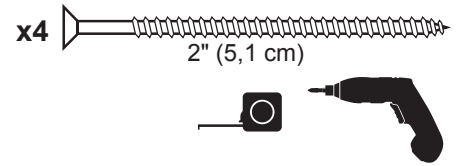
Secure eave wall bottom plates to floor with 3" nails (**Fig. D**).



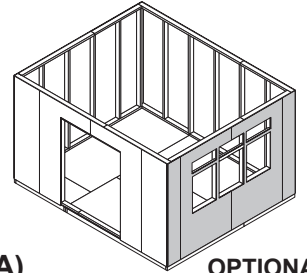
Your 12' eave wall is now installed.

10' DOOR WALL INSTALLATION

PARTS REQUIRED:



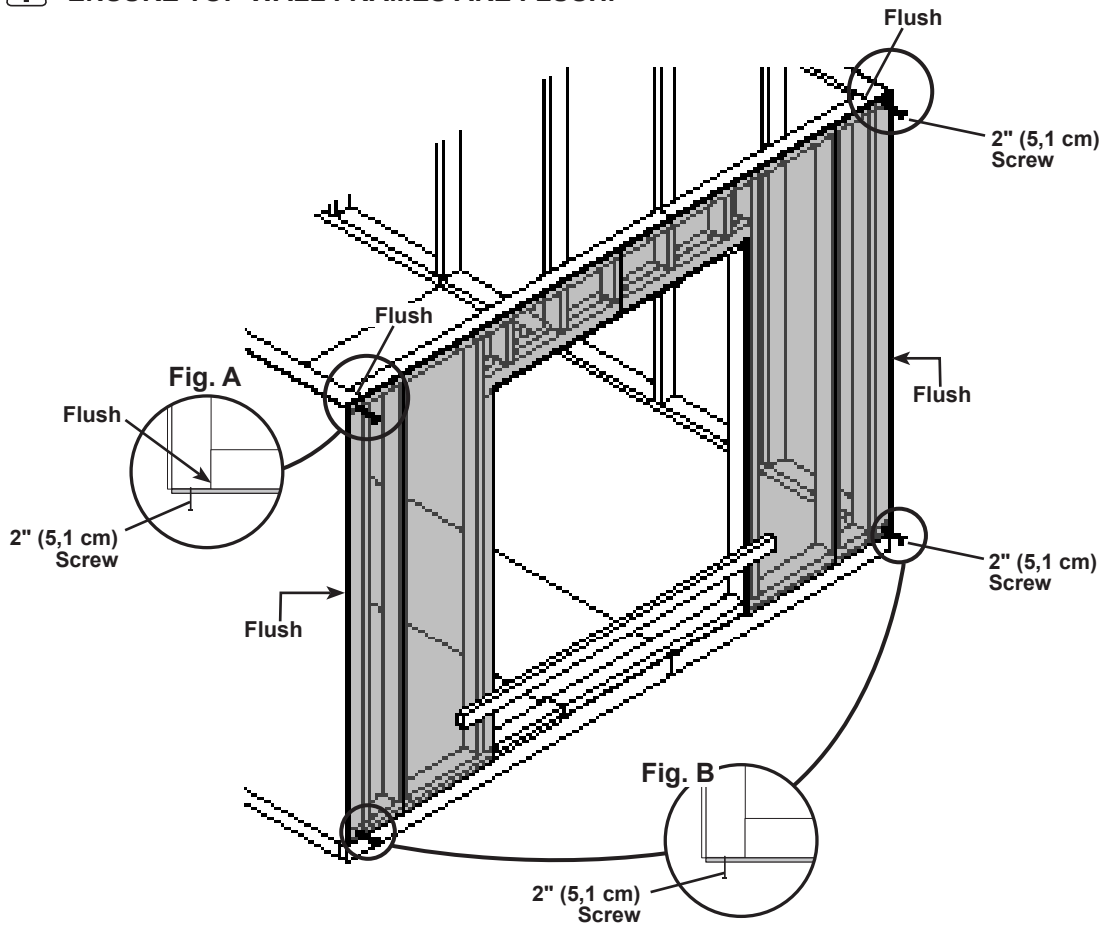
If your door is on the eave wall, install the gable wall with the windows.



✓ **BEGIN**

- 1** Place 10' gable wall on floor.  Secure top of wall to eave wall top plates with (1) 2" screw at each side (**Fig A**).

 **ENSURE TOP WALL FRAMES ARE FLUSH.**

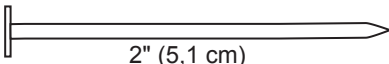
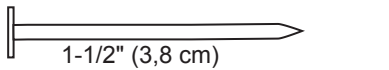


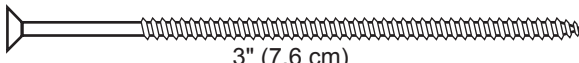
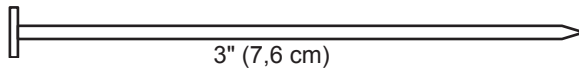
- 2** Secure bottom of wall to eave wall bottom plates with (1) 2" screw at each side (**Fig B**).

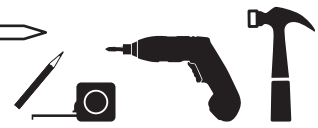
 **ENSURE WALL PANELS ARE FLUSH BEFORE SECURING.**

GABLE END WALL INSTALLATION

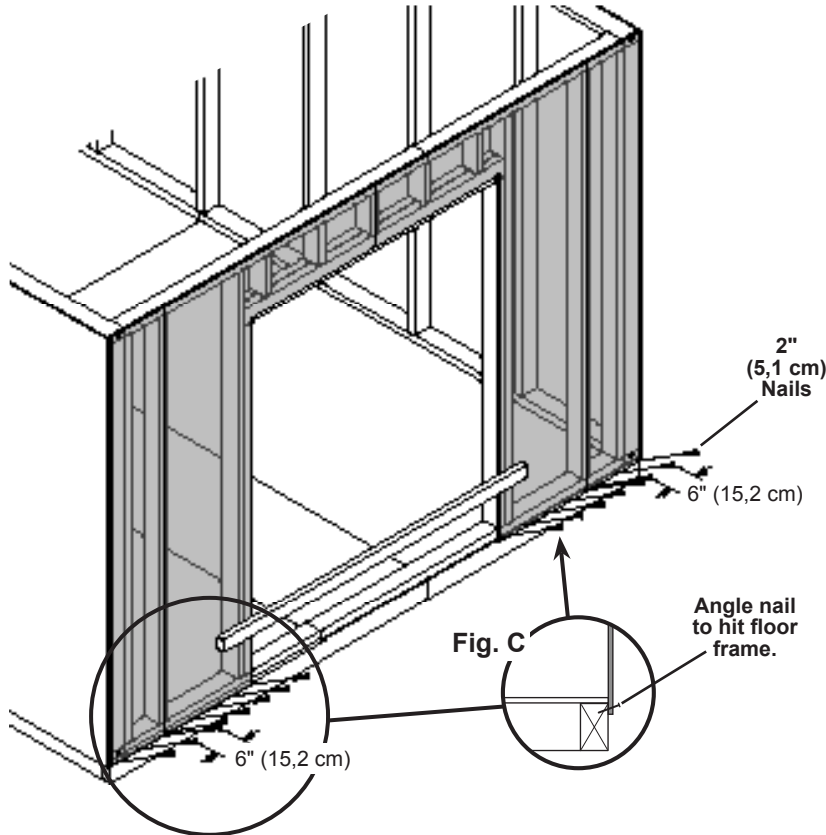
PARTS REQUIRED:

- x16  2" (5,1 cm)
- x26  1-1/2" (3,8 cm)

- x2  3" (7,6 cm)
- x6  3" (7,6 cm)



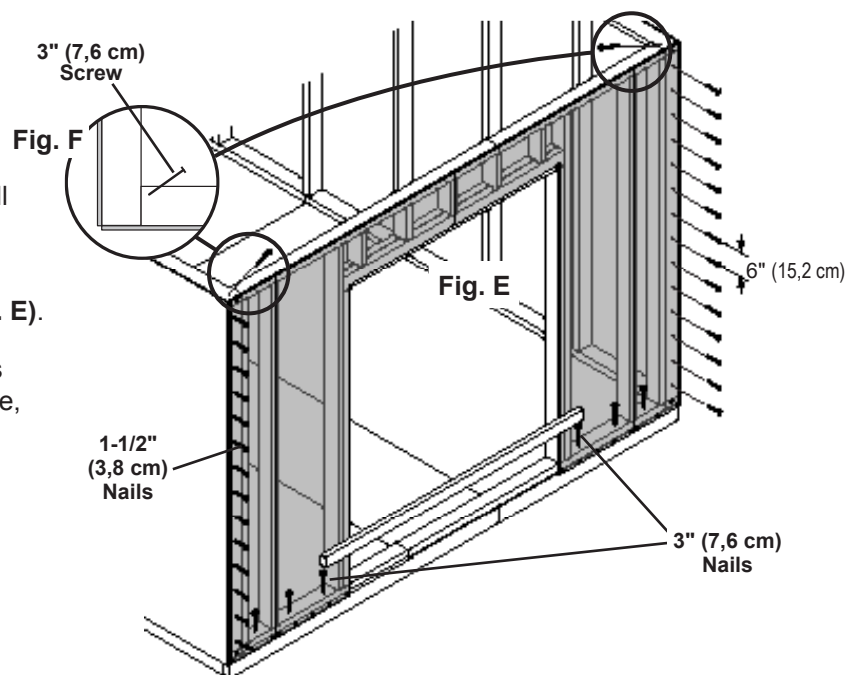
3 Nail lower edge of panels to floor with 2" nails spaced 6" apart. Angle nails into the floor frame (**Fig. C**).



4 Nail gable wall panels to front and back wall studs with 1-1/2" nails spaced 6" apart (**Fig. E**).

Secure gable wall to floor with 3" nails (**Fig. E**).

Secure gable wall top plates with 3" screws angled into eave wall top plates at each side, as shown (**Fig. F**).



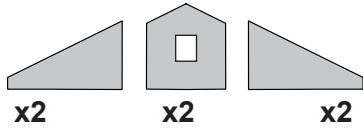
FINISH

Your gable wall is now installed.

**CUT OUT AND REMOVE BOTTOM PLATE AT
DOOR OPENING.**

GABLE PANELS

PARTS REQUIRED:



x4 **AFC**
2 x 4 x 27-1/4" (5,1 x 10,2 x 69,2 cm)

x40 1-1/2" (3,8 cm)

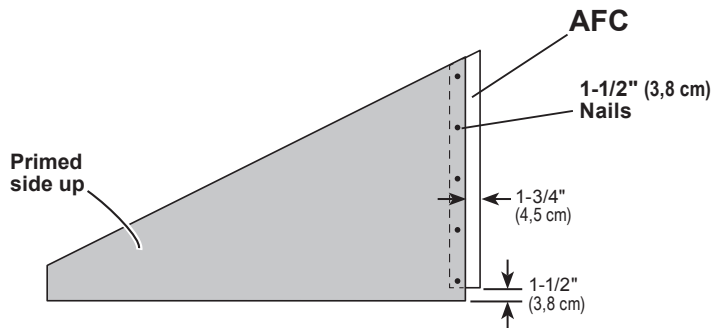


Make two upper gable assemblies; assembling on a flat surface is recommended.

✓ **BEGIN**

1 Lay **AFC** on the flat side as shown.

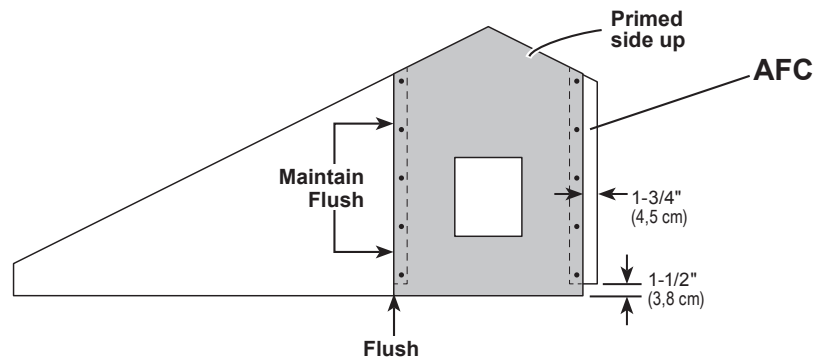
Place left gable panel on **AFC** and secure with 1-1/2" nails spaced evenly.



2 Place middle gable panel flush to left panel. Ensure panels are flush.

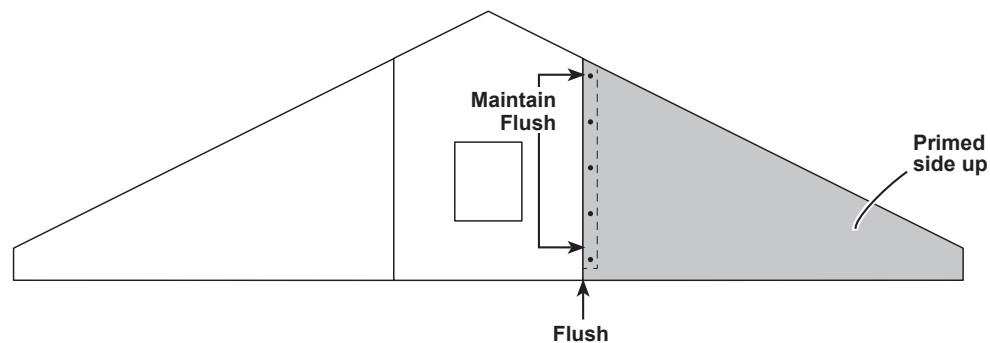
Secure panel to installed **AFC** with 1-1/2" nails.

Place second **AFC** as shown under middle panel and secure with 1-1/2" nails spaced evenly.



3 Place right gable panel flush to installed middle panel. Ensure panels are flush.

Secure to **AFC** with 1-1/2" nails spaced evenly.



Repeat STEPS 1 - 3 to build second gable assembly.




Your gable assemblies are now finished.

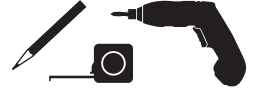
GABLE FRAMING

PARTS REQUIRED:

x8 **CLA**
2 x 4 x 4-7/8" (5,1 x 10,2 x 12,4 cm)

x8 **FLM**
2 x 4 x 73-3/4" (5,1 x 10,2 x 187,3 cm)

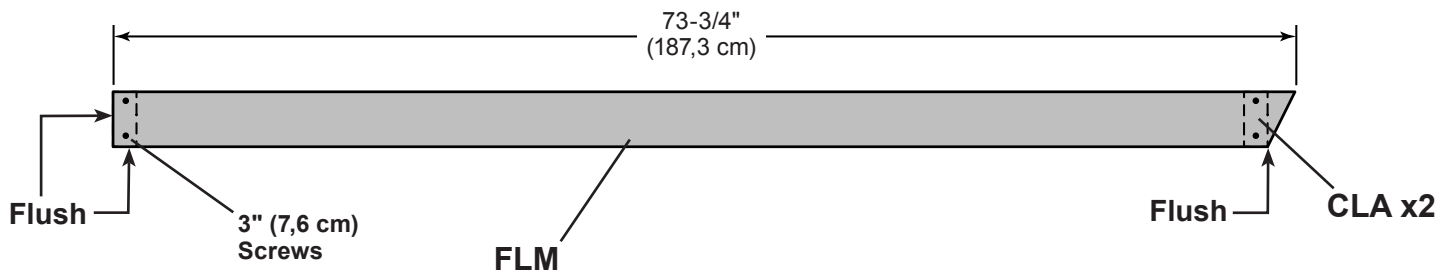
x40  3" (7,6 cm)



✓ BEGIN

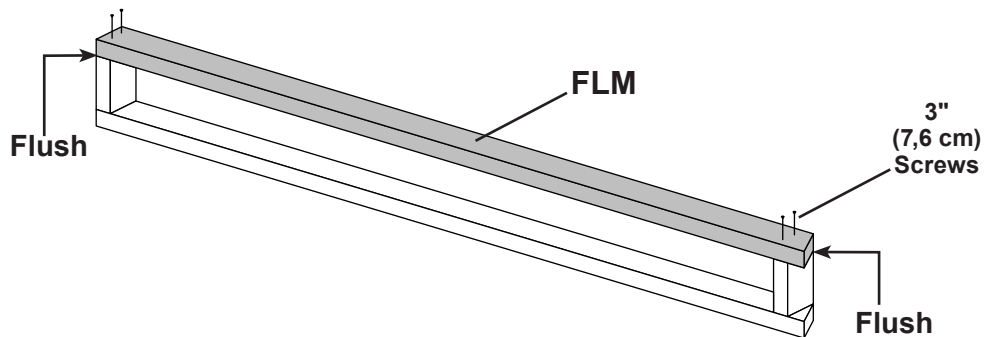
- 1 Place **FLM** on top of **CLA**. Secure with 3" screws as shown (**Fig. A**, **Fig. B**). Ensure parts are flush to edge and corners.

Fig. A



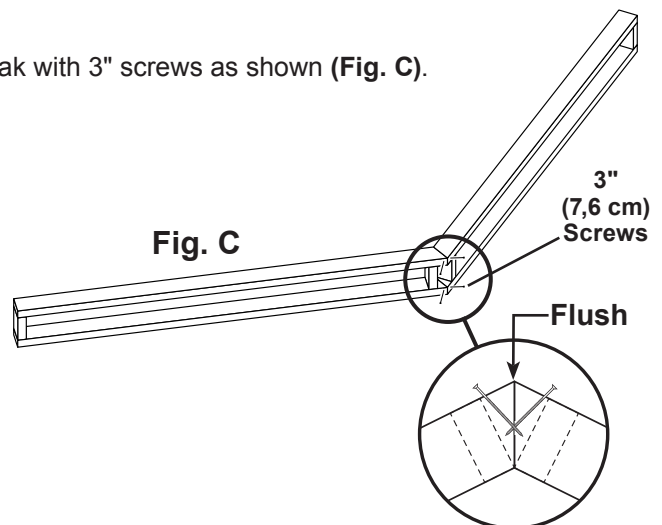
- 2 Turn the gable frame over and attach **FLM** to **CLA** with (2) 3" screws (**Fig. B**).

Fig. B



Repeat STEPS 1 & 2 to build (3) additional gable overhang assemblies.

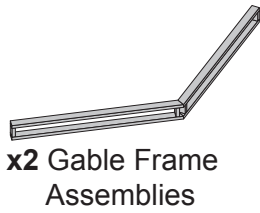
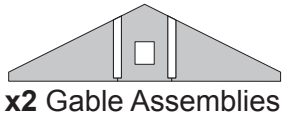
- 3 Fasten the two overhang assemblies together at the peak with 3" screws as shown (**Fig. C**).



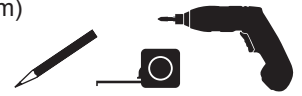
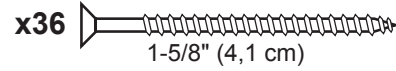
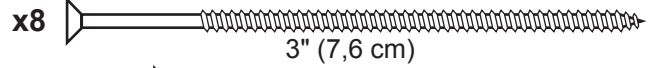
Repeat STEP 3 to build another gable frame assembly.

GABLE UNITS

PARTS REQUIRED:

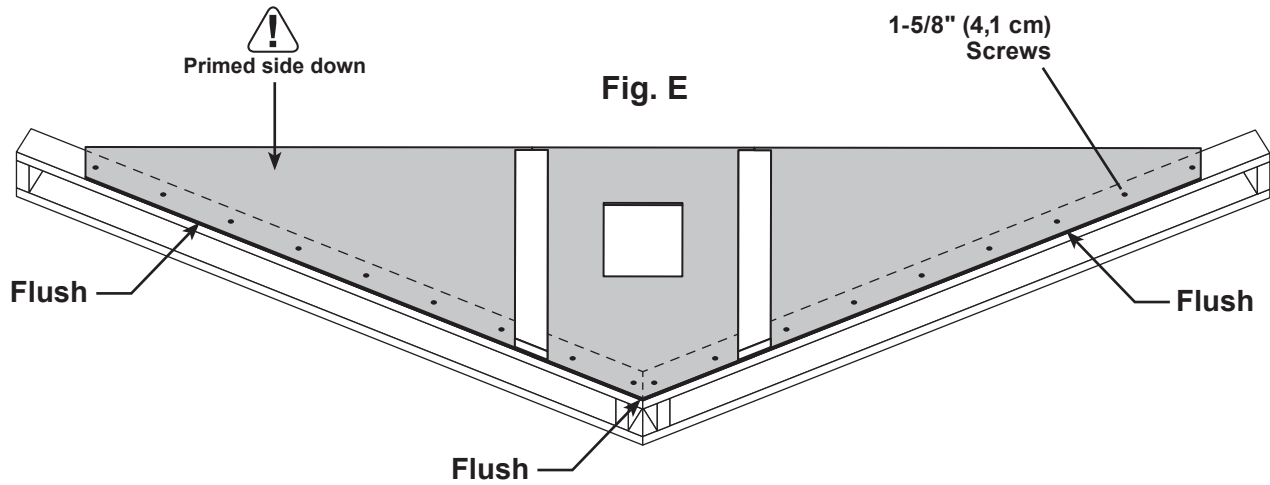


x4 GPC
2 x 4 x 4-3/8"
(5,1 x 10,2 x 11,1 cm)

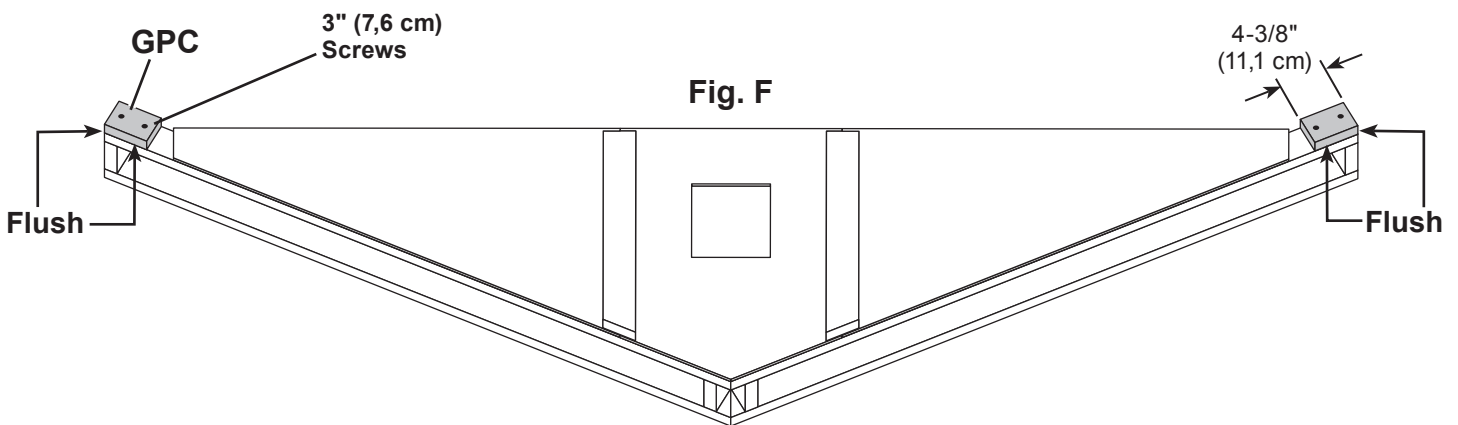


4 Arrange gable assemblies as shown (**Fig. E**). You will build (2) gable units.

5 Ensure gable panel is flush at peak of gable frame assembly and flush along top edges.
Secure with 1-5/8" screws (**Fig. E**).



6 Install (2) parts **GPC** as shown and secure each with (2) 3" screws (**Fig. F**).



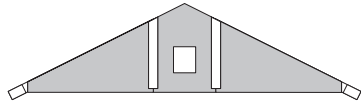
Repeat STEPS 5 & 6 to complete another gable unit.



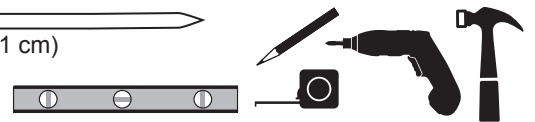
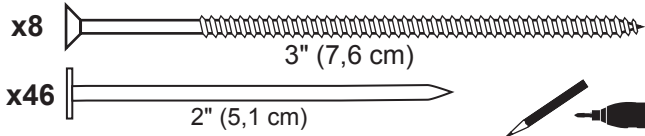
You now have two assembled gable units

GABLE UNITS

PARTS REQUIRED:



x2 Gable Units



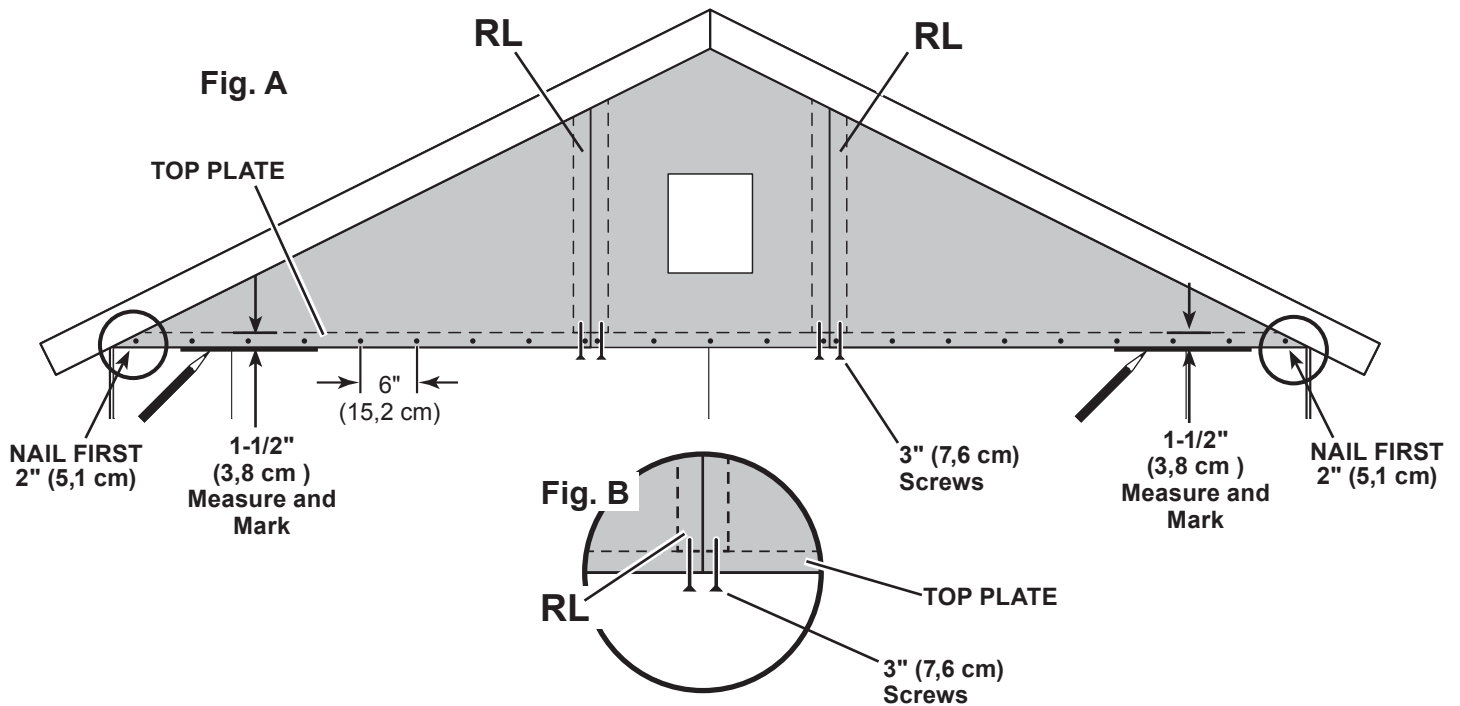
✓ BEGIN

1 Measure 1-1/2" down from top plate and mark at each side (**Fig. A**).

2 Place gable unit on gable wall top plate.
Hold secure with (1) 2" nail on each side as shown.

! BE SURE GABLE UNIT IS CENTERED ON WALL BEFORE NAILING.

3 Secure lower edge of panels to top plate with 2" nails spaced 6" apart as shown



4 On the inside, secure gable unit with 3" screws into RL (**Fig. B**).

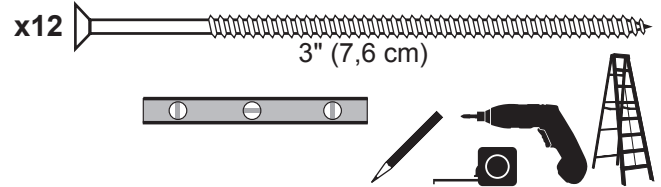
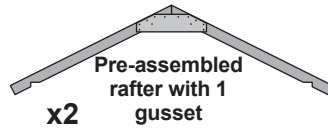
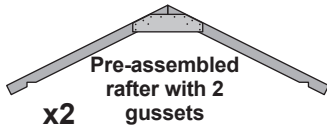
Repeat STEPS 1 - 4 to attach back gable unit.



Your gable units are now installed.

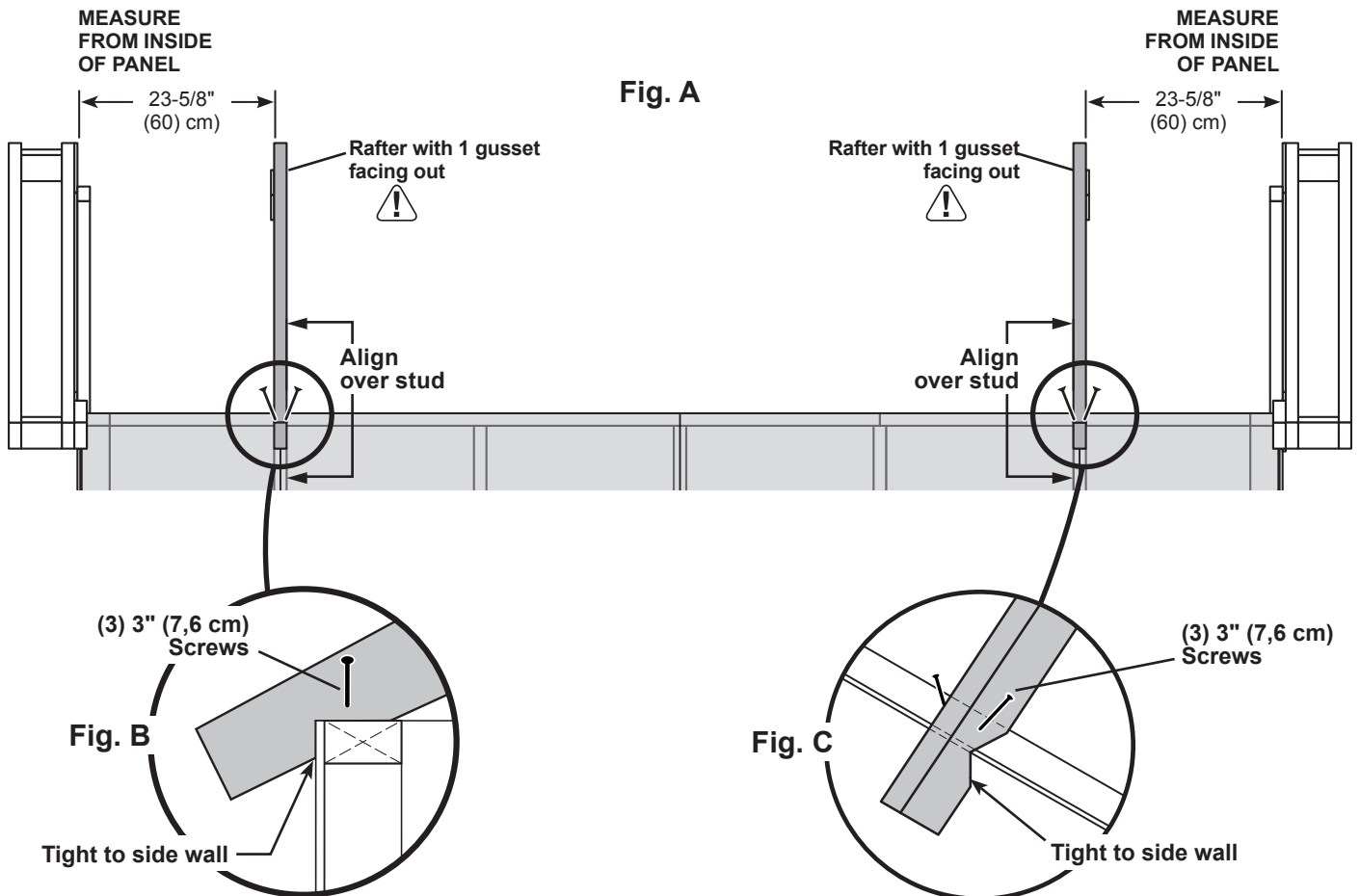
RAFTERS

PARTS REQUIRED:



✓ BEGIN

- 1 Install (2) rafters **with 1 gusset** on top plate, aligned over stud and at **23-5/8"** measurement from inside of gable panel. Ensure rafter notch is tight to gable wall (**Fig. B, Fig C**). Secure rafter with (2) 3" screws as shown (**Fig. A, Fig. B, Fig. C**). Repeat on opposite side of rafter.



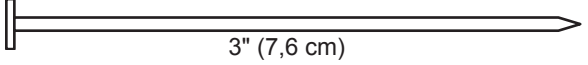
Your (2) main roof rafters are now installed.

DORMER WALL

PARTS REQUIRED:

x8 **CWG**
 2 x 4 x 13-3/16" (5,1 x 10,2 x 33,5 cm)

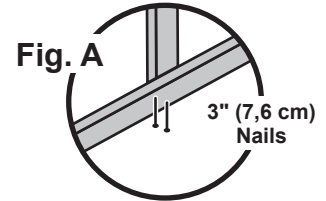
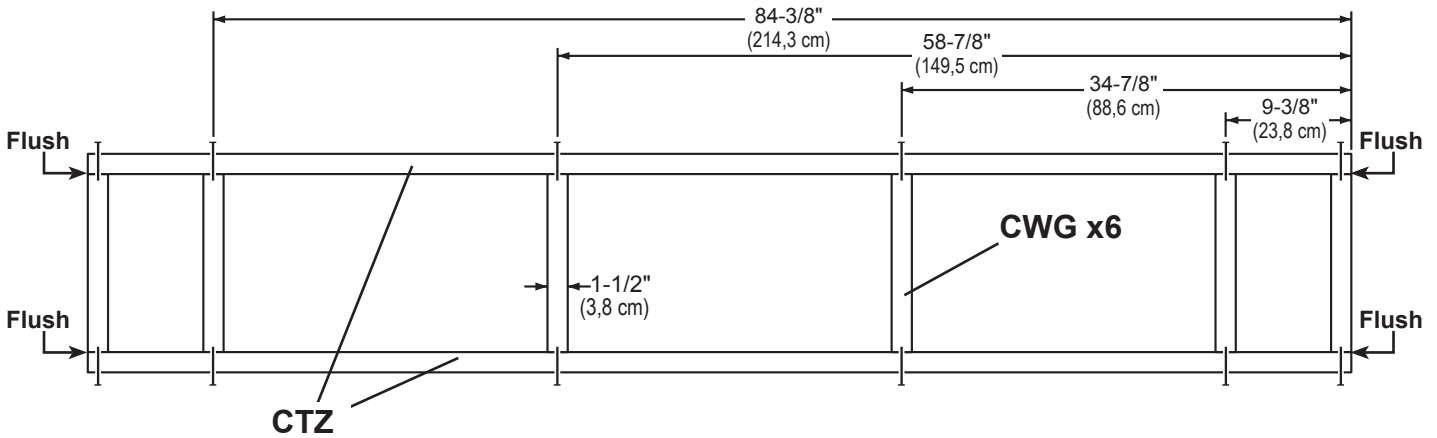
x3 **CTZ**
 2 x 4 x 93-3/4" (5,1 x 10,2 x 28,1 cm)

x42  3" (7,6 cm)

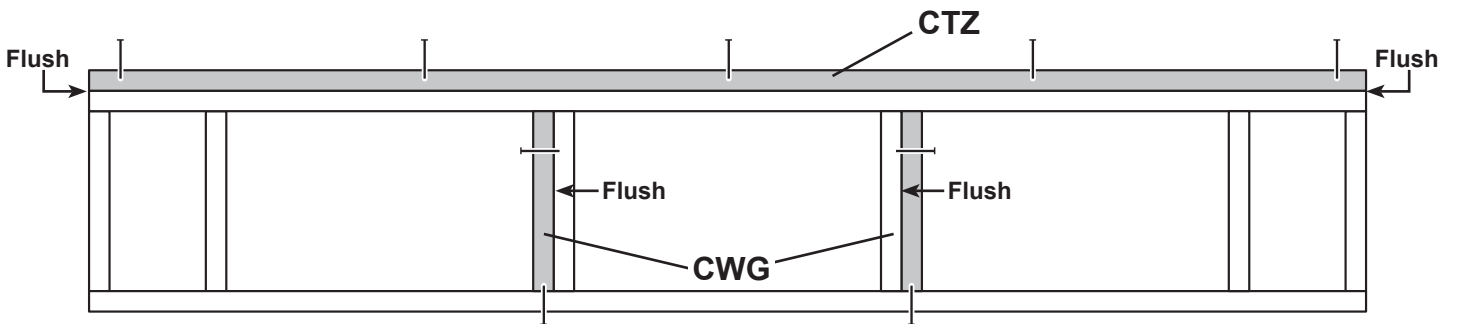


✓ BEGIN

- 1 Orient parts on edge on floor. Measure and mark. Secure with (2) 3" nails at each mark.



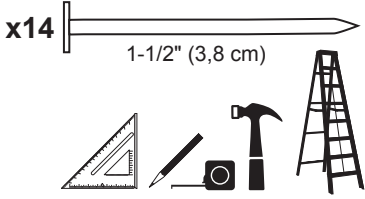
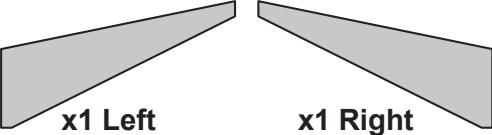
- 2 Install parts **CTZ** and **CWG** with (2) 3" nails at each location shown.



Your dormer wall is now assembled.

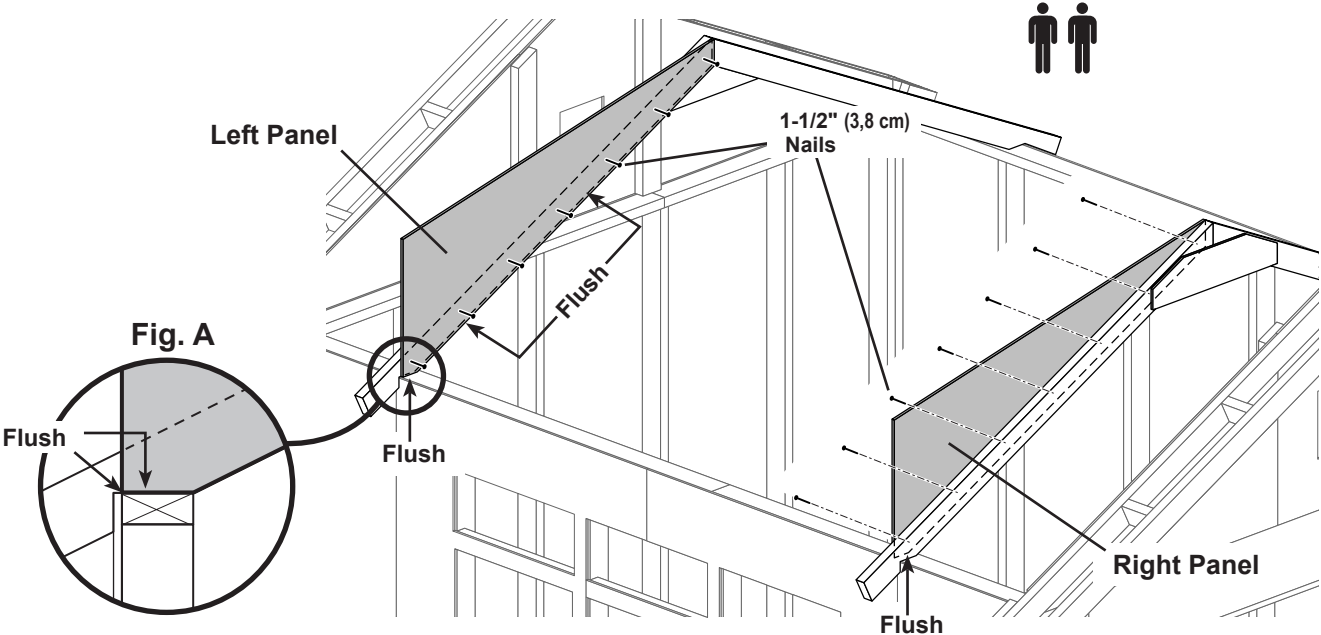
DORMER

PARTS REQUIRED:



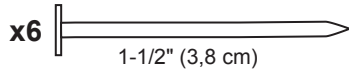
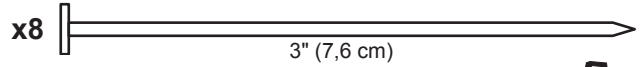
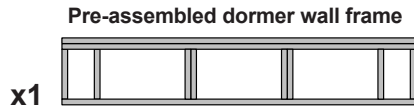
✓ BEGIN

- 1 Install dormer panels primed side out, resting on top plate and flush along bottom of rafter edge. Secure with 1-1/2" nails spaced evenly as shown.

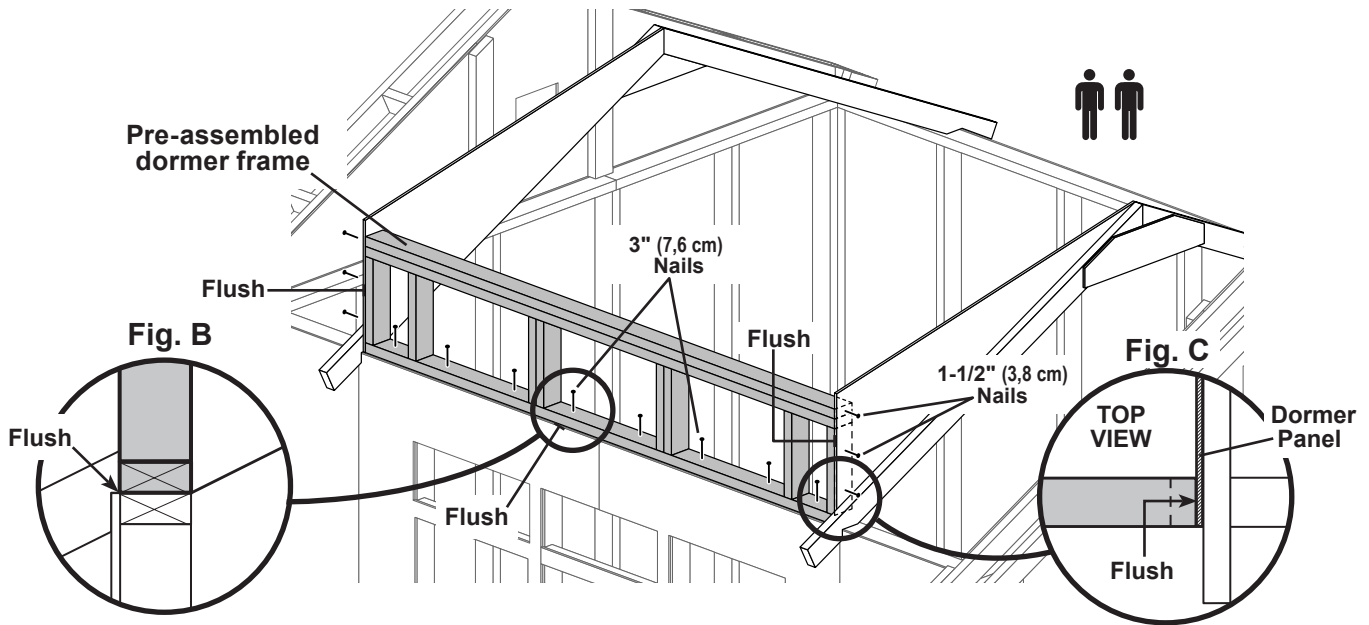


DORMER

PARTS REQUIRED:

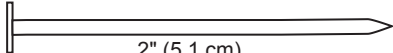



- 2 Install assembled dormer frame flush with front top plate (**Fig. B**) and resting on wall. Ensure dormer wall frame is flush to front edges of installed dormer panels (**Fig. C**). Secure with 3" nails into top plate and 1-1/2" nails at side panels as shown.



DORMER

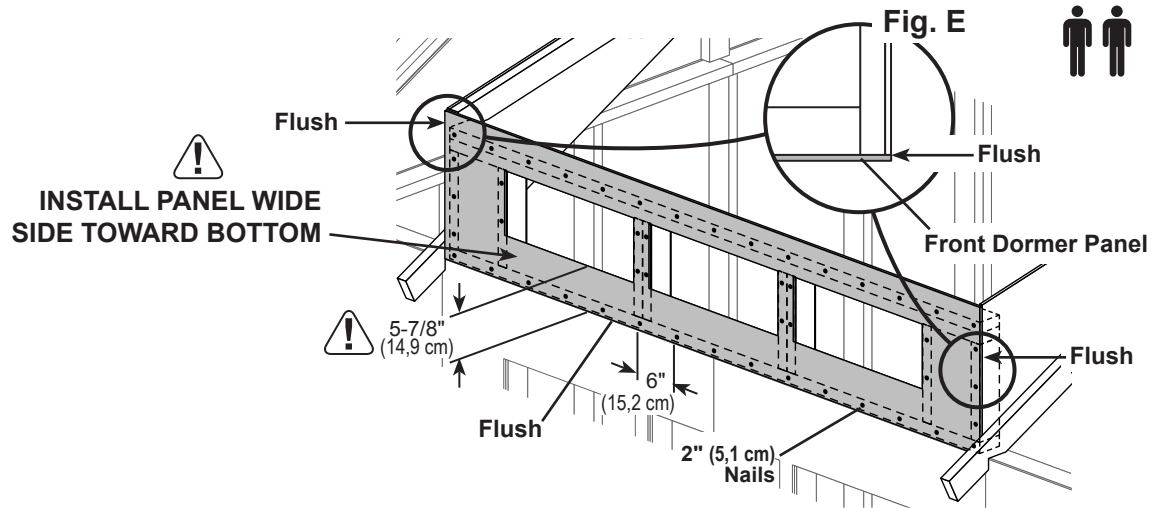
PARTS REQUIRED:

x52  2" (5,1 cm)

x1 
3/8" x 20" x 94-1/2" (1,0 x 50,8 x 240 cm)



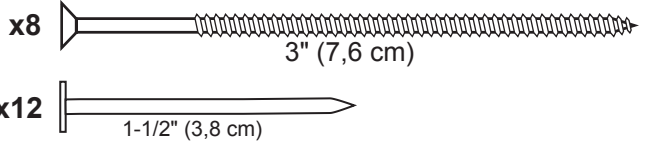
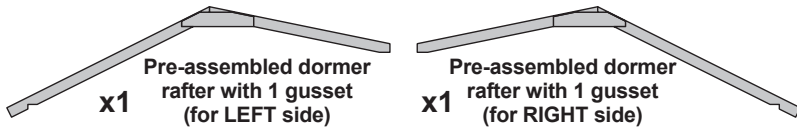
- 3 Place **20" x 94-1/2"** dormer panel primed side out and flush on top of wall panels. Ensure front dormer panel is flush with side panels along edge (**Fig E**). Secure front dormer panel with 2" nails spaced 6" apart along edge.



DORMER

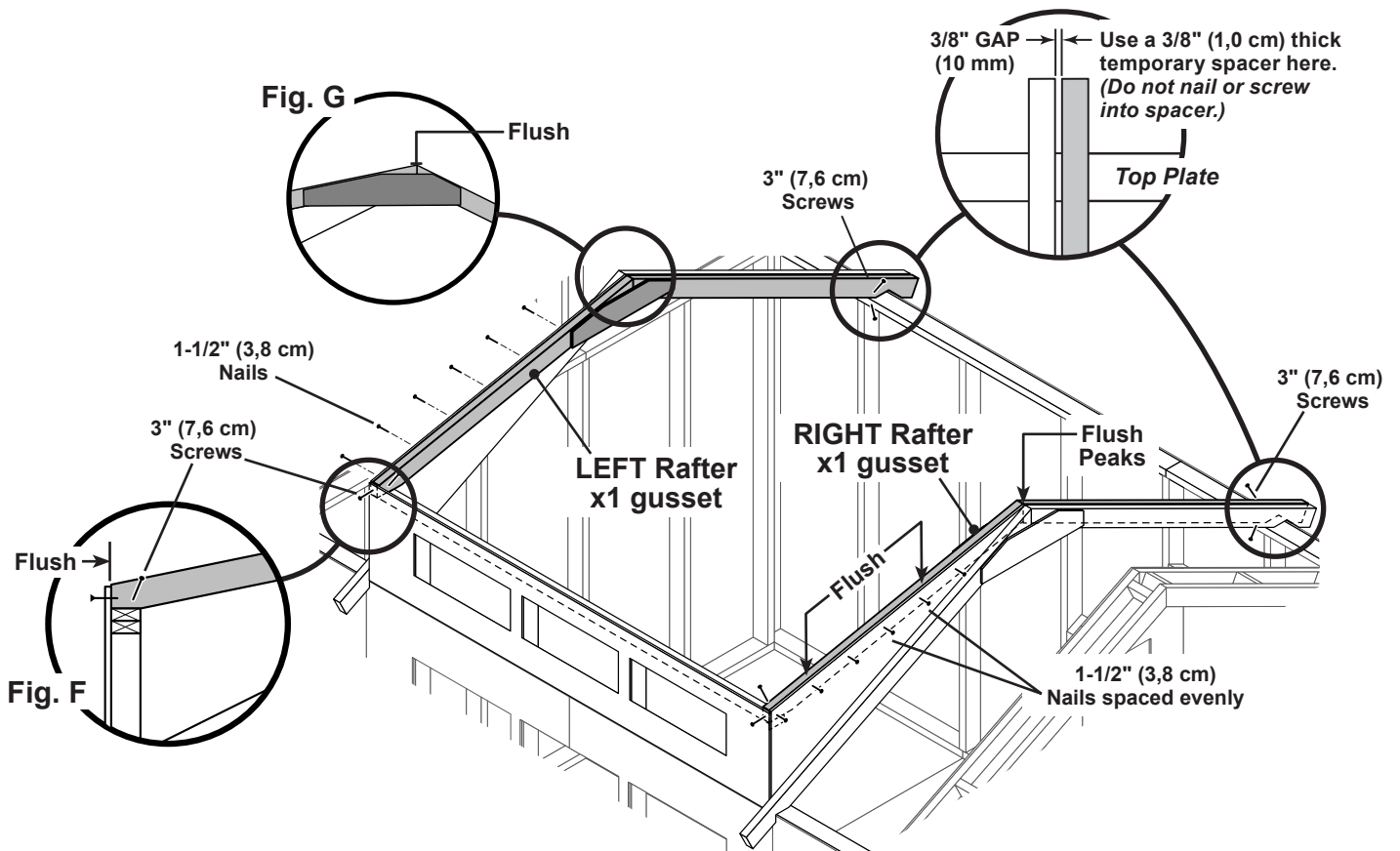
PARTS REQUIRED:

x1 **TEMPORARY SPACER**
 3/8 x 2-1/2 x 23-1/4" (1 x 6,3 x 59,1 cm)



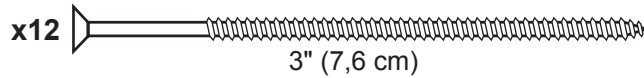
4 Place left and right pre-assembled rafter (gusset facing in) resting on top of dormer frame and back wall top plate. Ensure dormer rafter is flush along edge of panel and flush at peak of installed rafter (**Fig. F, Fig. G**).


Secure rafter with 3" screws in top plate and 1-1/2" screws spaced evenly through dormer side panels as shown.

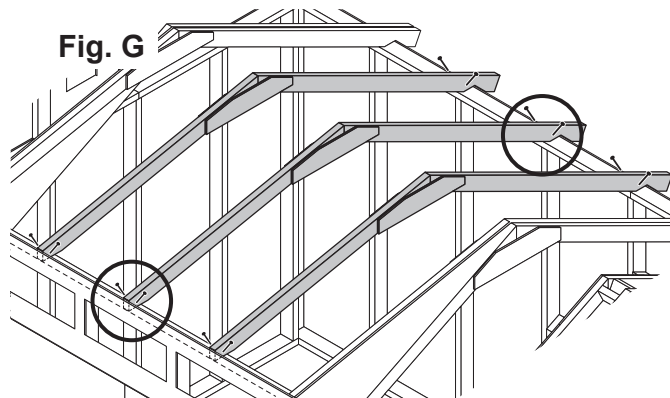
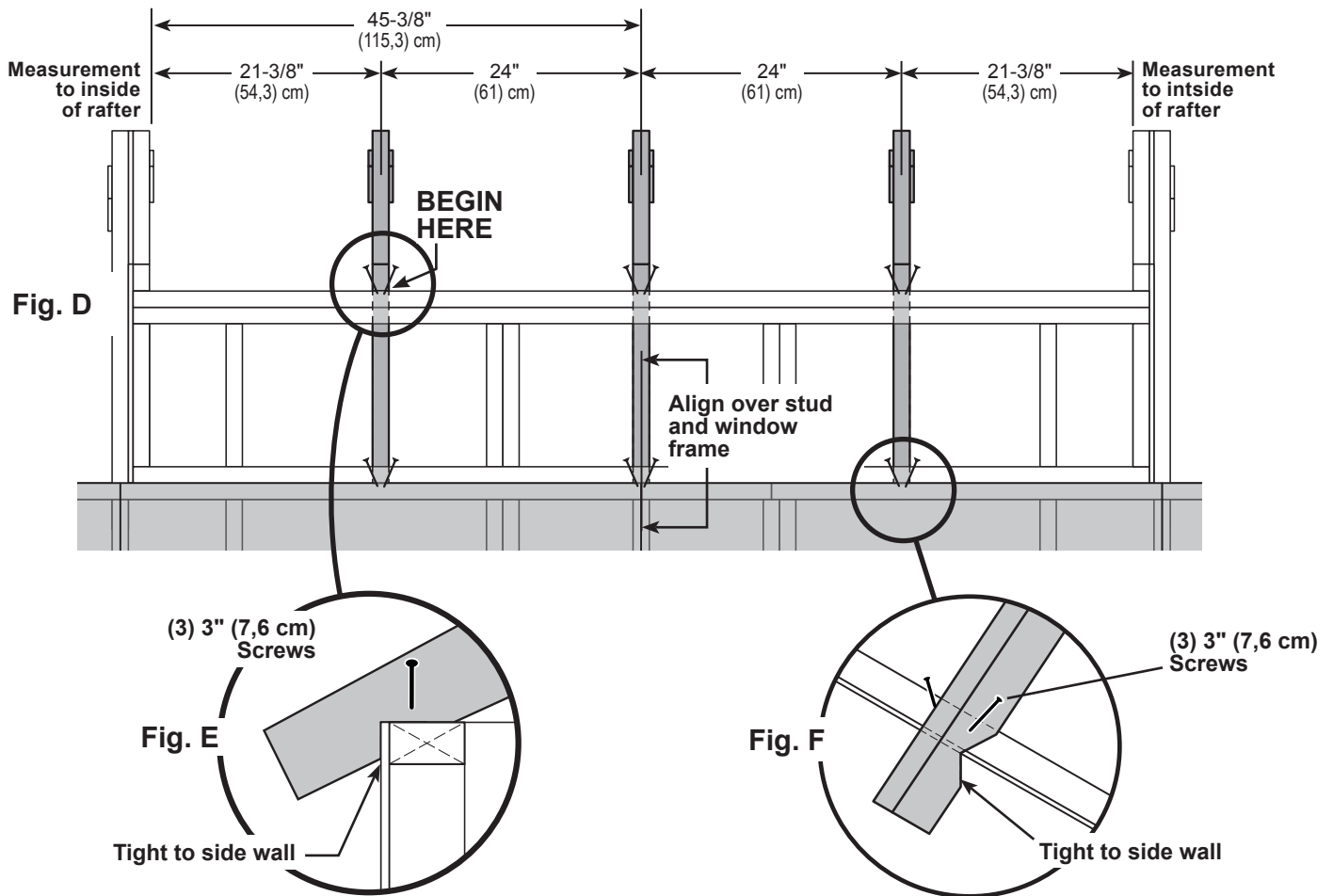


DORMER

PARTS REQUIRED:




- 5** Install (2) outer rafters on dormer frame and back wall top plate. 
Align rafters at 21-3/8" (54,3 cm) measurement from inside of rafter (**Fig. D**).
Secure rafters to dormer frame and back wall top plate with (2) 3" screws above notch (**Fig. E, Fig. F**).
- 6** Install middle rafter on dormer frame and back wall top plate (**Fig. D, Fig. G**).
Align rafter over back wall stud and at 45-3/8" (115,3 cm) measurement from inside of rafter (**Fig. D**).
Secure rafter to dormer frame and back wall top plate with (2) 3" screws above notch (**Fig. E, Fig. F**).





Your dormer rafters are now installed.

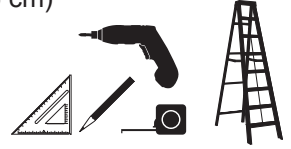
DORMER SOFFIT BLOCK

PARTS REQUIRED:

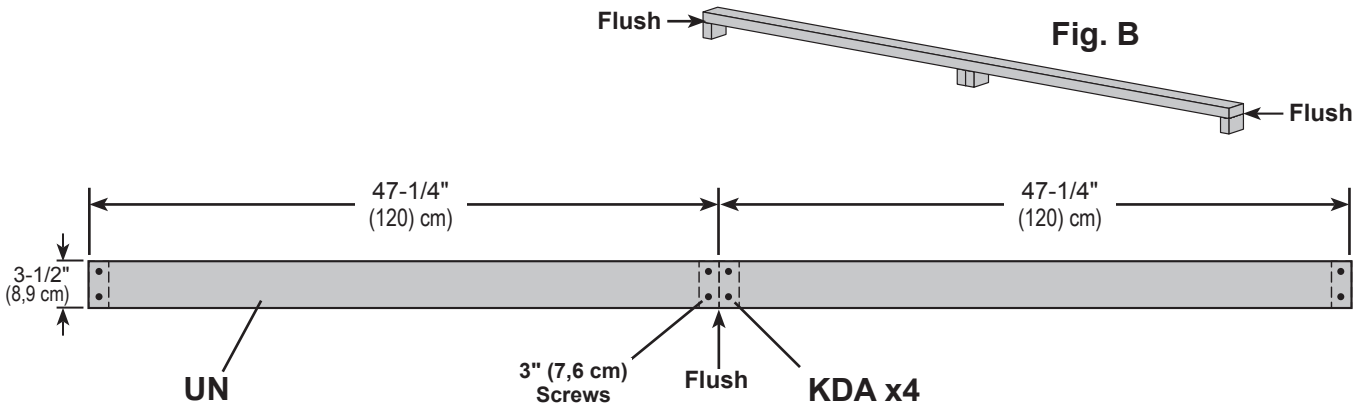
x4  **KDA** 2 x 4 x 2-7/8" (5,1 x 10,2 x 7,3 cm)

x1  **UN**
2 x 4 x 94-1/2" (5,1 x 10,2 x 240 cm)

x16  3" (7,6 cm)

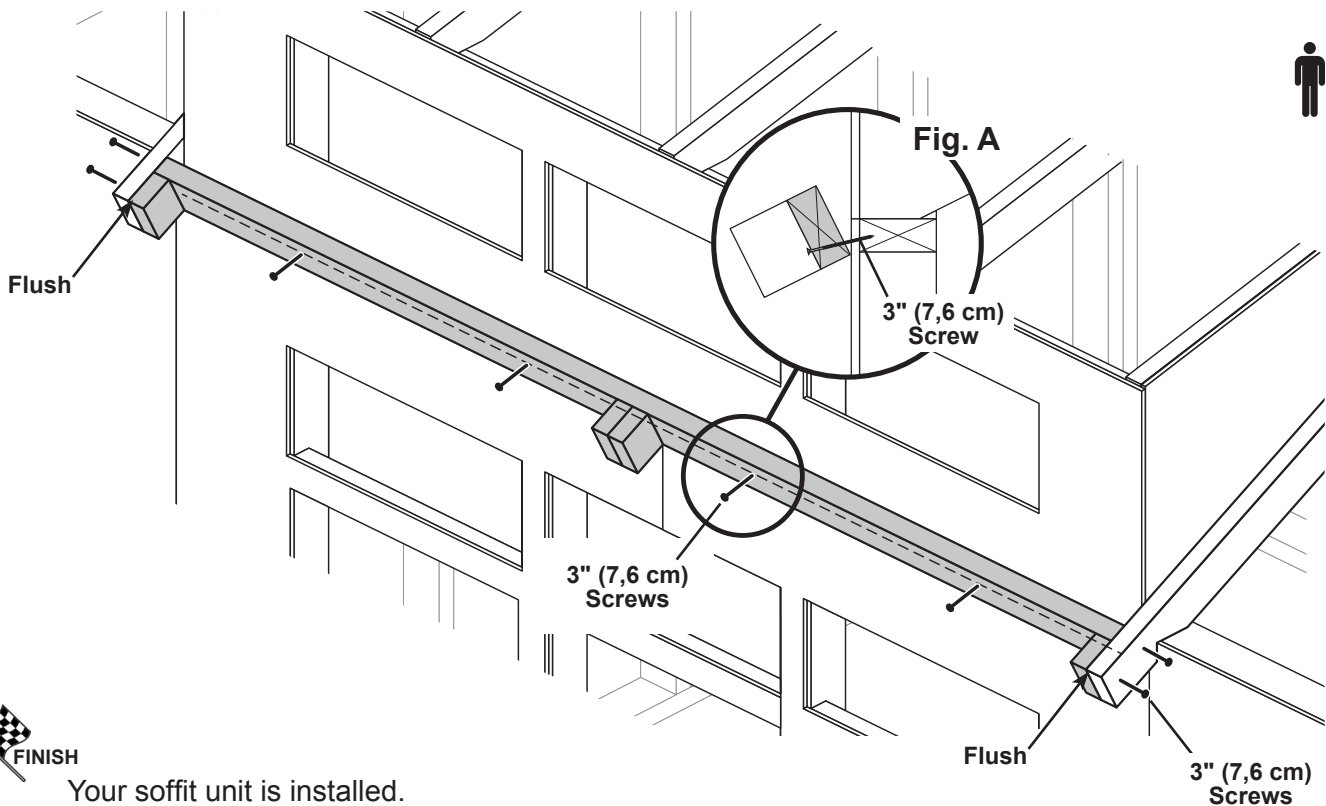


- 8** Place (4) soffit block parts **KDA** and (2) **UN** on floor (**Fig. B**). Measure and mark. Secure with (2) 3" screws in each **KDA**.



- 9** Install assembled soffit unit between rafter ends as shown. Ensure soffit unit is flush with rafter ends. Secure with 3" screws in the ends of **UN** and soffit blocks **KDA**. Secure **UN** with (4) screws evenly spaced and angled into wall top plate as shown below (**Fig. A**).


● **HINT:** Use a clamp at each side to hold soffit frame flush and square with rafters during installation.




Your soffit unit is installed.

EAVE FRAMING

PARTS REQUIRED:

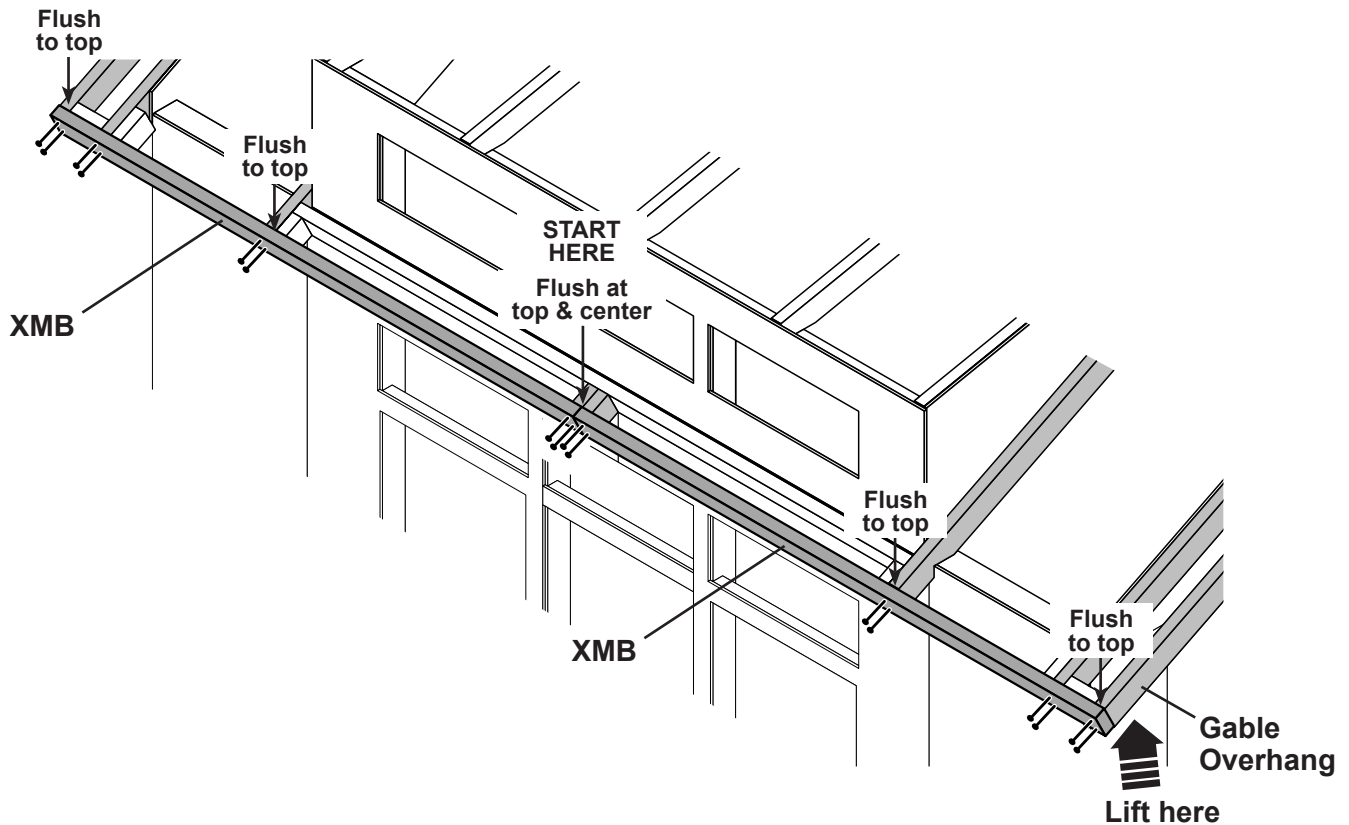
x16  3" (7,6 cm)

x2  **XMB**
2 x 4 x 80-5/8" (5,1 x 10,2 x 204,8 cm)



✓ **BEGIN**

- 1** Install eave fascia **XMB** flush to soffit frame center and gable outer framing, as shown. Attach at center first. Secure with 3" screws. Ensure flush to top of rafters and gable framing.
- 2** Continue fastening **XMB** with 3" screws into ends of the rafters. Ensure flush to top of rafters and gable framing.




NOTE:

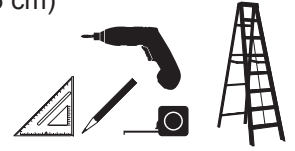
*XMB and gable overhang must be flush at the top.
If necessary, push the gable overhang up to flush with XMB.*

EAVE FRAMING (back side)

PARTS REQUIRED:

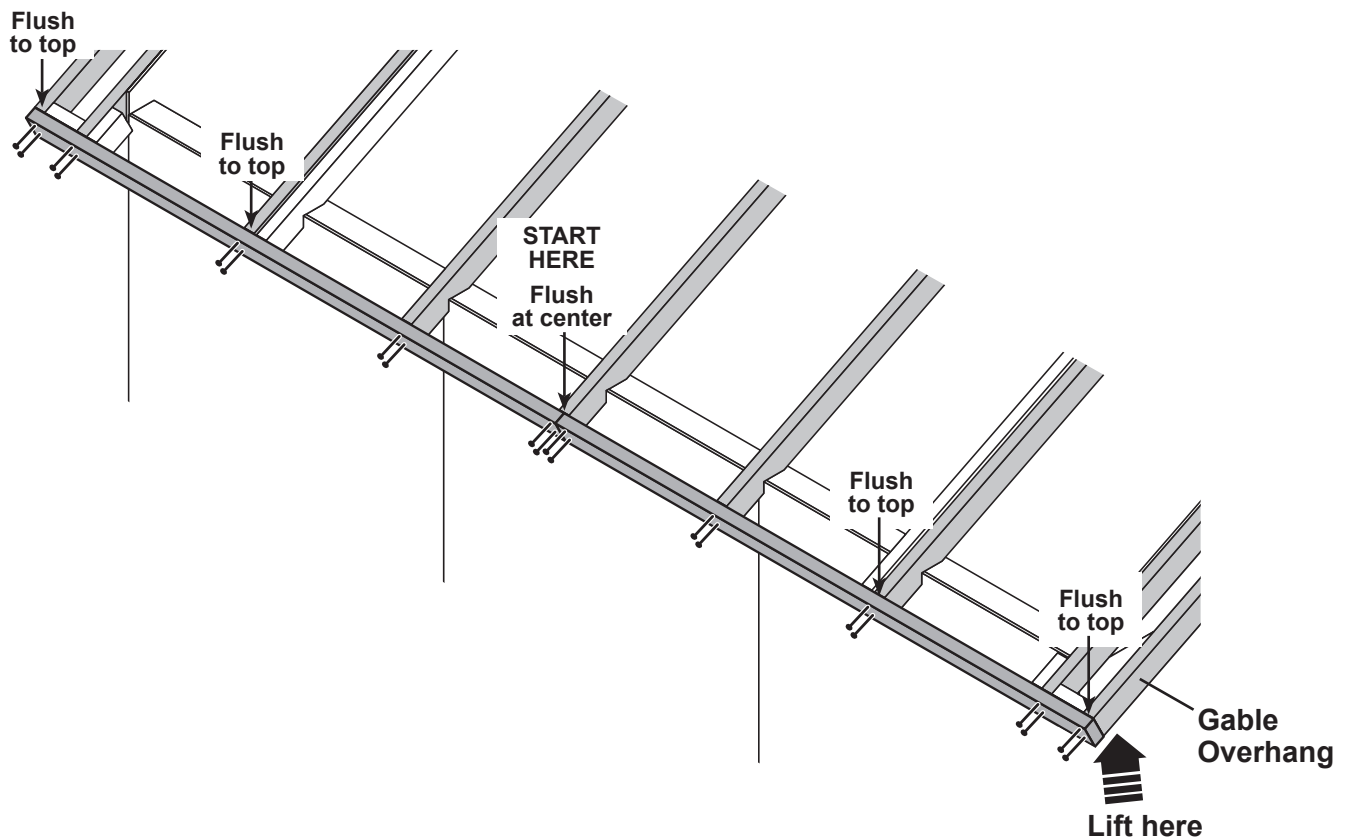
x2 **XMB**
2 x 4 x 80-5/8" (5,1 x 10,2 x 204,8 cm)

x20  3" (7,6 cm)



3 Install (2) eave fascia **XMB** flush to center rafter and gable framing, as shown. Attach at center first. Secure with 3" screws. Ensure flush to top of rafters and gable framing.

4 Continue fastening **XMB** with 3" screws into rafter ends and gable framing. Ensure flush to top of rafters and gable framing.



NOTE:

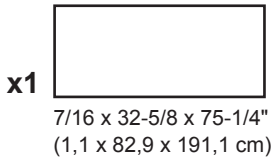
*XMB and gable overhang must be flush at the top.
If necessary, push the gable overhang up to flush with XMB.*



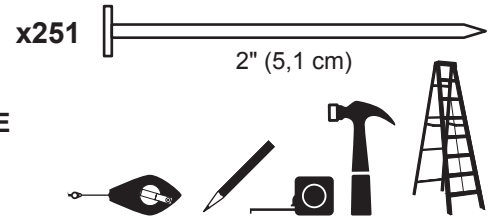
Your eave fascia framing is installed.

ROOF PANELS

PARTS REQUIRED:



GAA
3/4" GAUGE
BLOCK



- Install all roof panels with the grid lines facing up (rough side).
- Roof panels may cause serious injury until securely fastened.



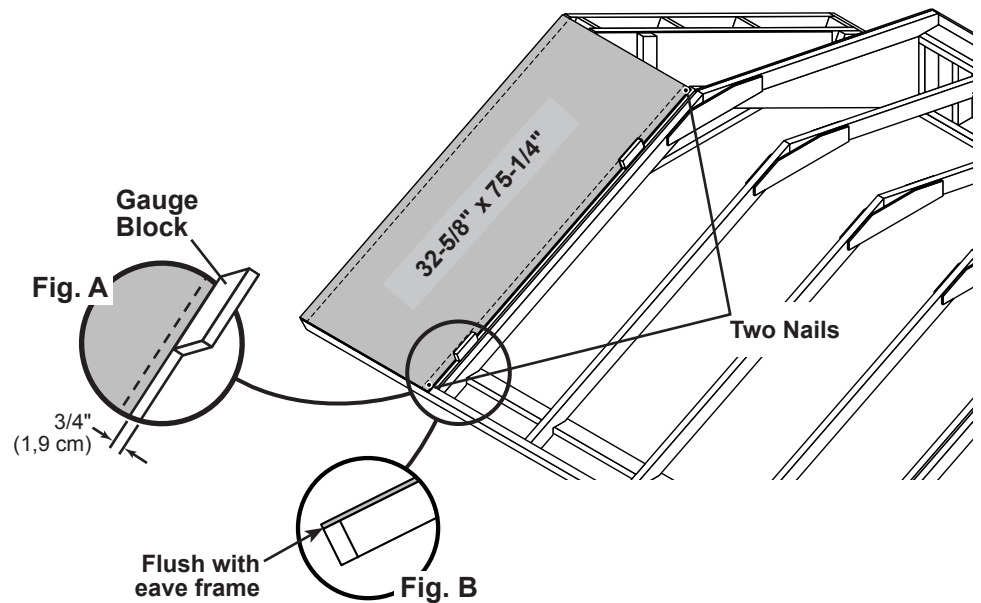
✓ BEGIN

1 Install the 32-5/8 x 75-1/4" roof panel as shown.

Use a gauge block to ensure the panel measures 3/4" (1,9 cm) along the length of the rafter (Fig. A).

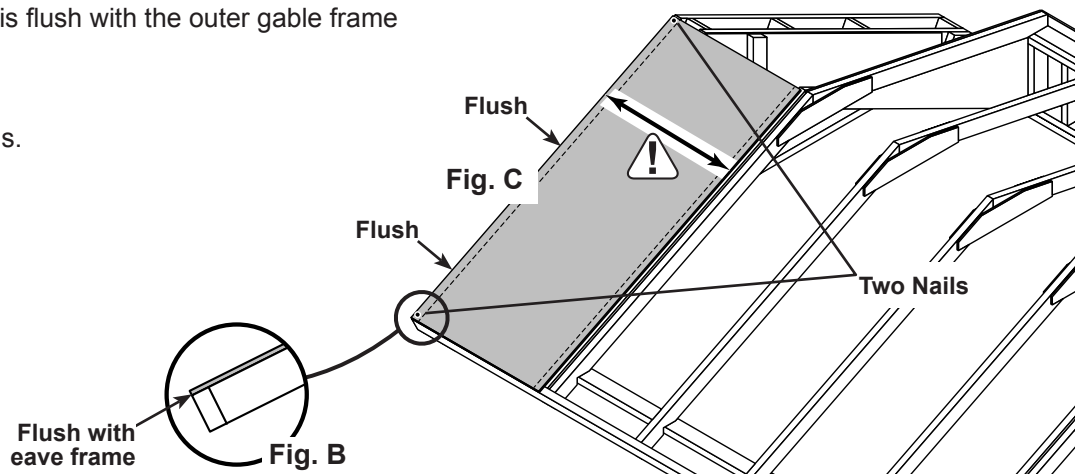
Panel should be flush with eave frame (Fig. B).

Secure with (2) 2" nails.



2 At the outside edge, move the gable side-to-side until the edge of the panel is flush with the outer gable frame (Fig C).

Secure with (2) 2" nails.



ROOF PANELS

PARTS REQUIRED:

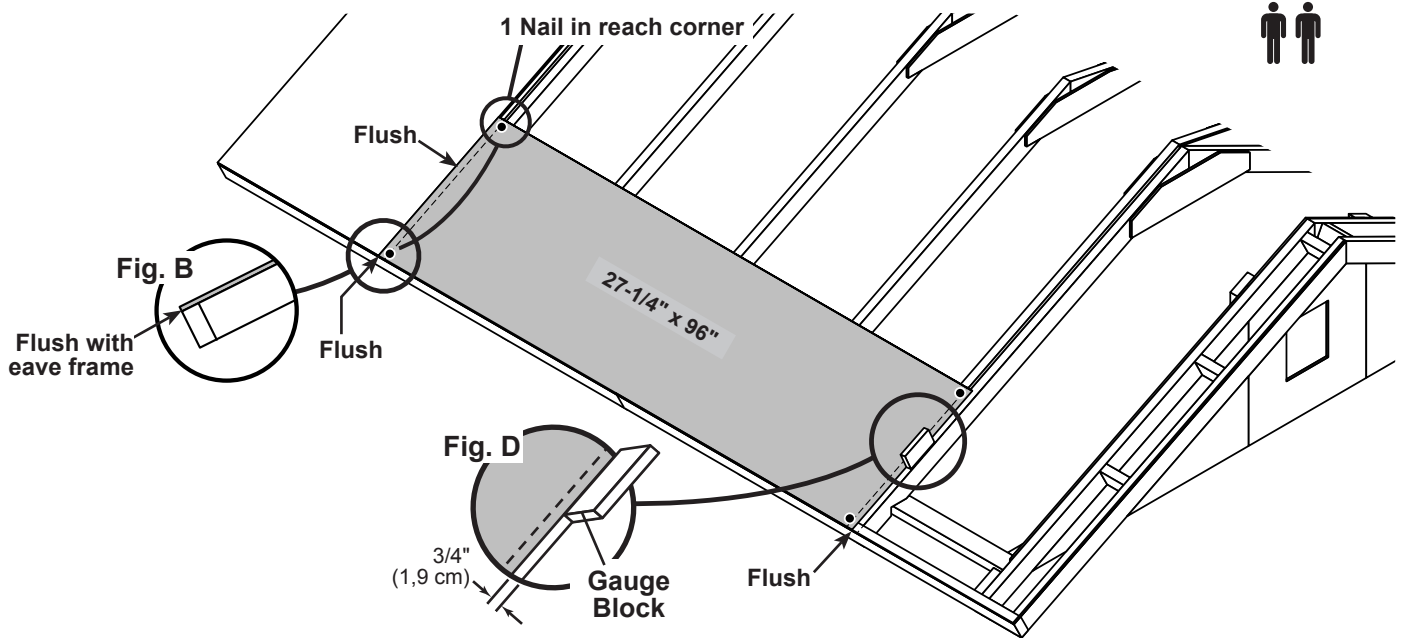
x1  7/16 x 27-1/4 x 96"
(1,1 x 69,2 x 243,8 cm)

x1  7/16 x 48 x 96"
(1,1 x 121,9 x 243,8 cm)

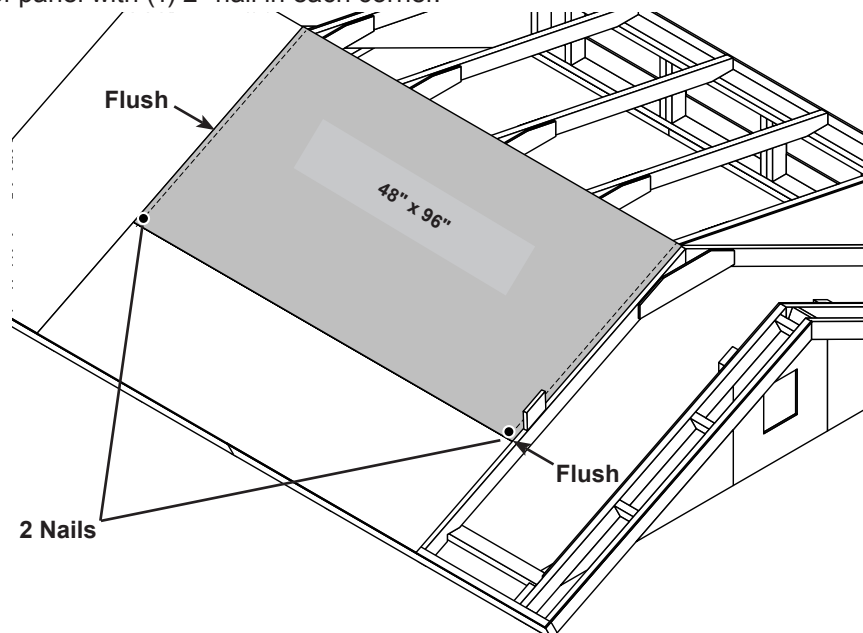


- 4** Install the **27-1/4" x 96"** roof panel as shown.
Use a gauge block to ensure the panel measures 3/4" (1,9 cm) on the rafter (**Fig. D**).
Panel should be flush with eave frame (**Fig. B**) and flush along edge of installed panel.

Secure with (1) 2" nail in each corner




- 6** Install **48" x 96"** upper roof panel flush with edges of the installed panels.
Secure the lower edge of roof panel with (1) 2" nail in each corner.



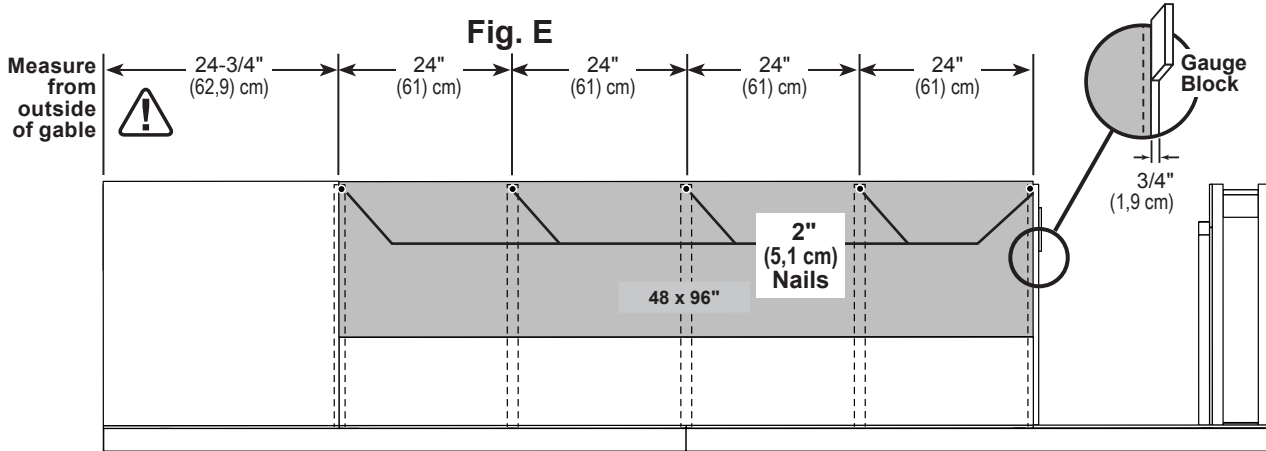
ROOF PANELS

PARTS REQUIRED:

x1  7/16 x 32-5/8 x 75-1/4"
(1,1 x 82,9 x 191,1 cm)



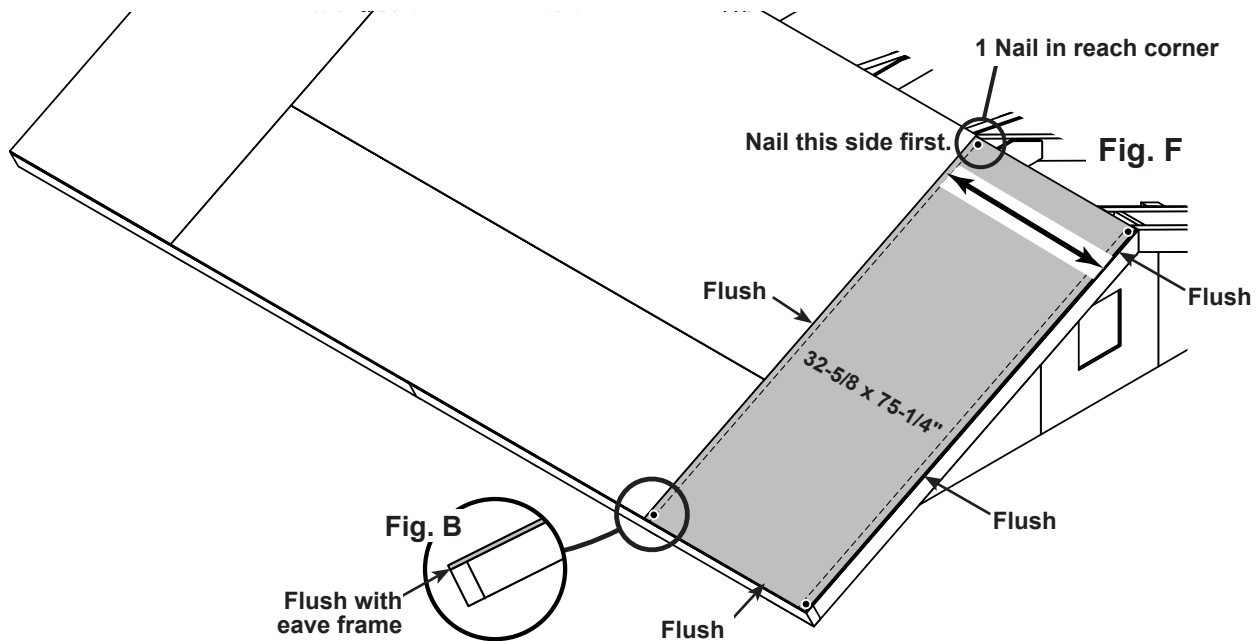
- 7** Move up to the top of the roof and ensure accurate spacing between the centers of the rafters (**Fig. E**). Use a gauge block to ensure the panel measures 3/4" (1,9 cm) along the length of the rafter. Secure panel with (5) 2" nails, (1) into each rafter (**Fig. E**).



- 8** Install the next 32-5/8" x 75-1/4" roof panel as shown. Panel should be flush with eave frame (**Fig. B**) and flush to installed panel. Secure panel with (1) nail in each inner corner

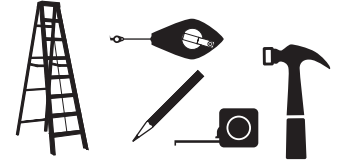
Move the gable unit to make panel flush with outer gable frame edge (**Fig. F**).

Secure with (1) 2" nail in each corner.

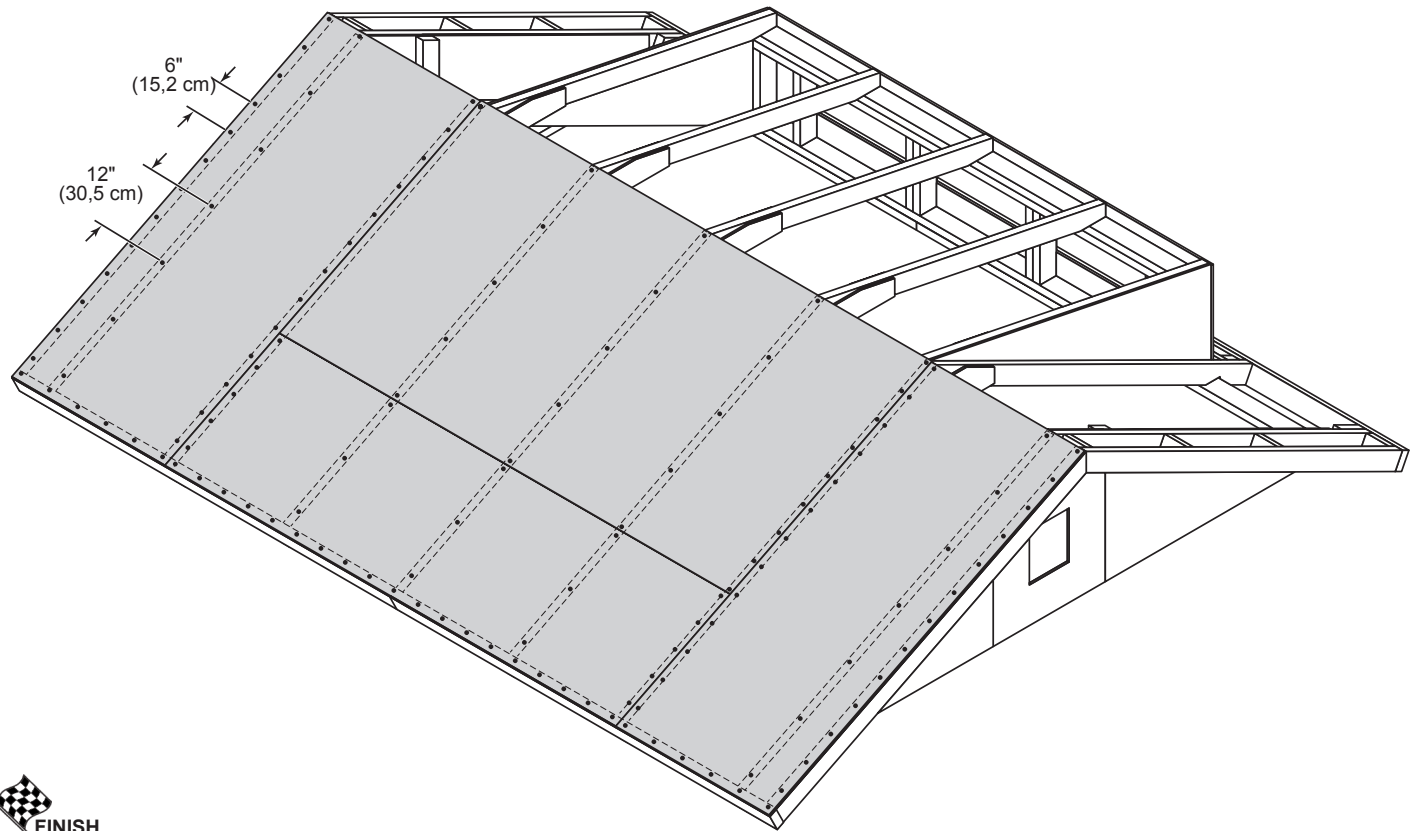


ROOF PANELS

PARTS REQUIRED:



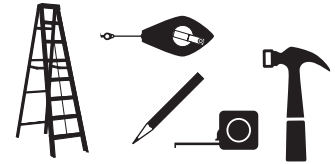
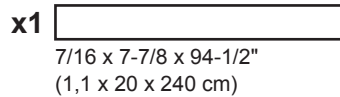
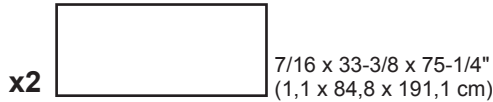
- 9 Secure all roof panels with 2" nails spaced 6" apart on edges and 12" apart inside panel.



All panels are installed on the main roof.

ROOF PANELS (Dormer Side)

PARTS REQUIRED:



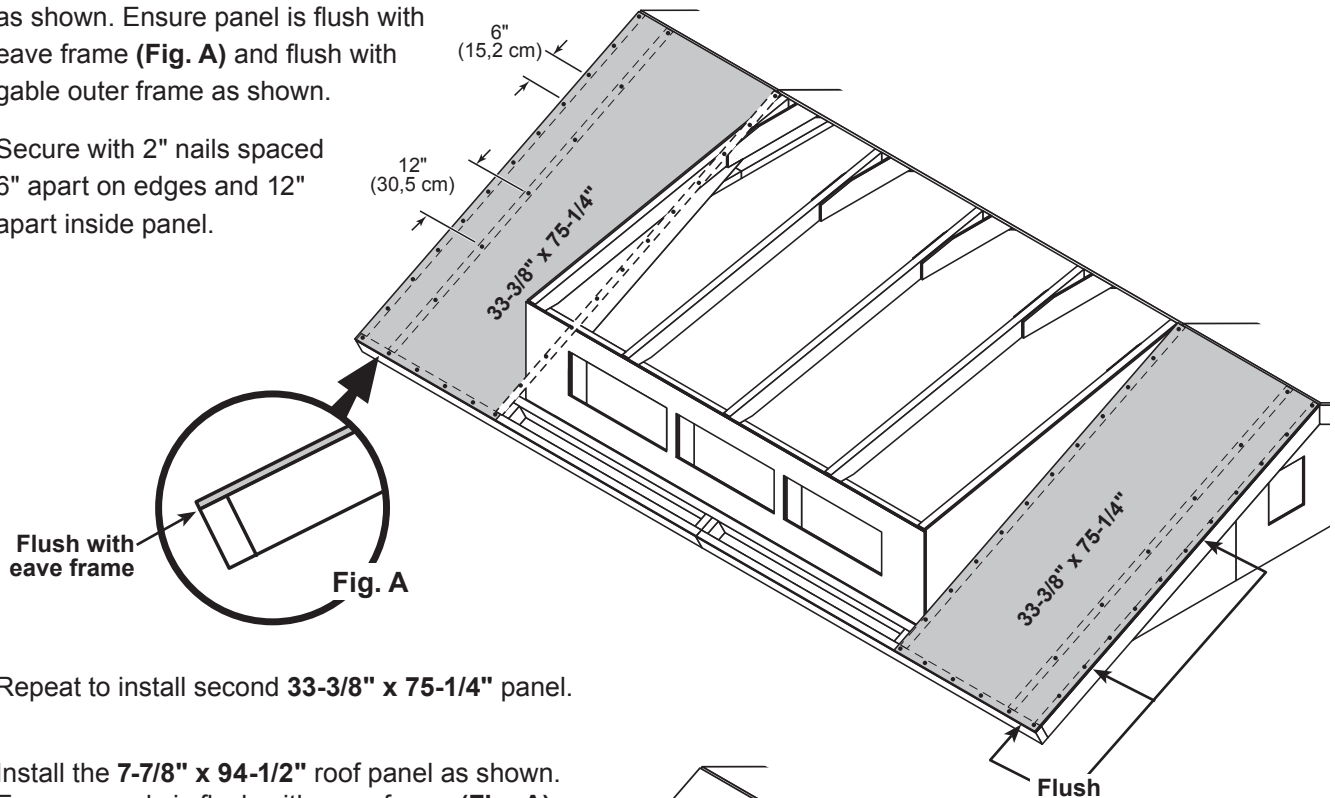
- Install all roof panels with the grid lines facing up (rough side).
- Roof panels may cause serious injury until securely fastened.



✓ BEGIN

- 1 Install the 33-3/8" x 75-1/4" roof panel as shown. Ensure panel is flush with eave frame (**Fig. A**) and flush with gable outer frame as shown.

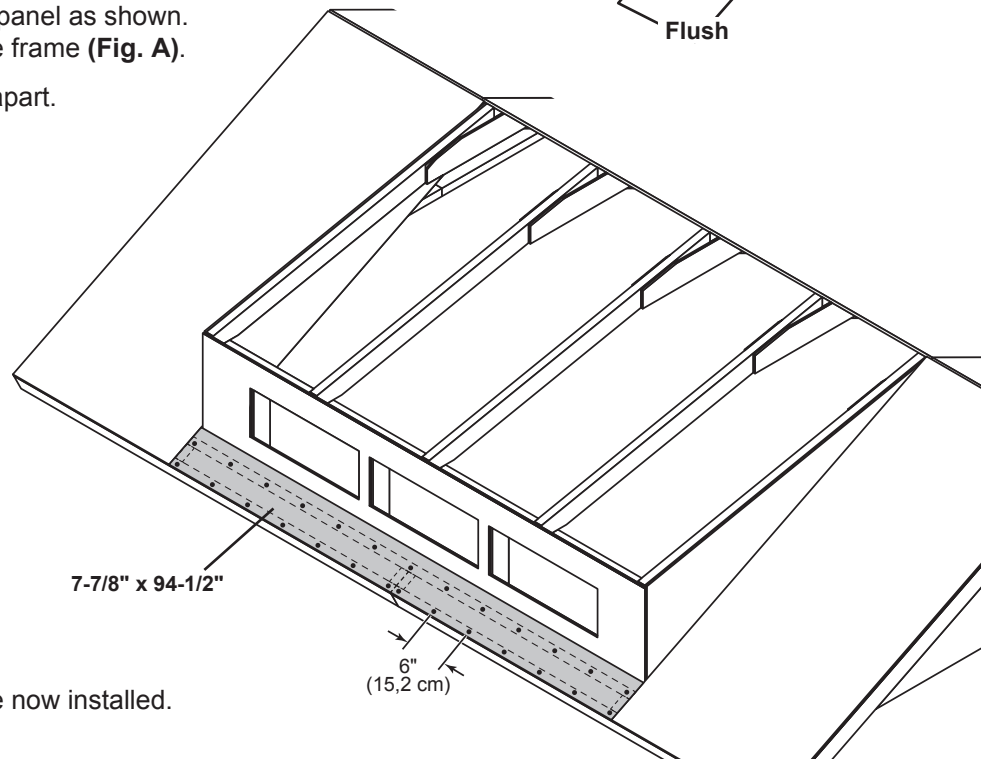
Secure with 2" nails spaced 6" apart on edges and 12" apart inside panel.



Repeat to install second 33-3/8" x 75-1/4" panel.

- 2 Install the 7-7/8" x 94-1/2" roof panel as shown. Ensure panels is flush with eave frame (**Fig. A**).

Secure with 2" nails spaced 6" apart.

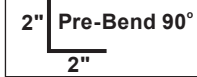


The dormer-side roof panels are now installed.

DORMER FELT / FLASHING

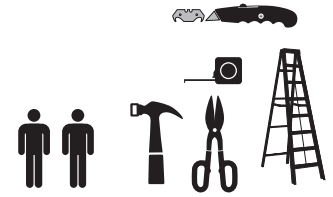
PARTS REQUIRED:

(x4) 4" x 32" Aluminum Flashing Cards



(x40) 1" GALVANIZED ROOFING NAILS

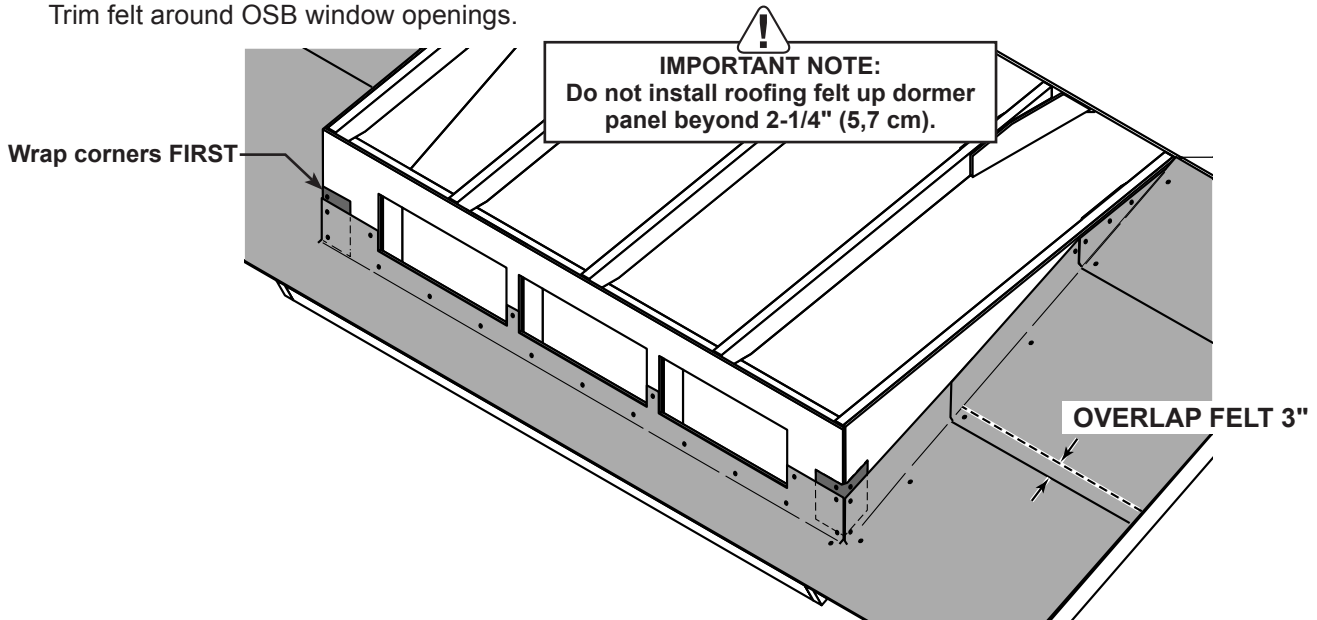
#15 ROOFING FELT
(Optional)



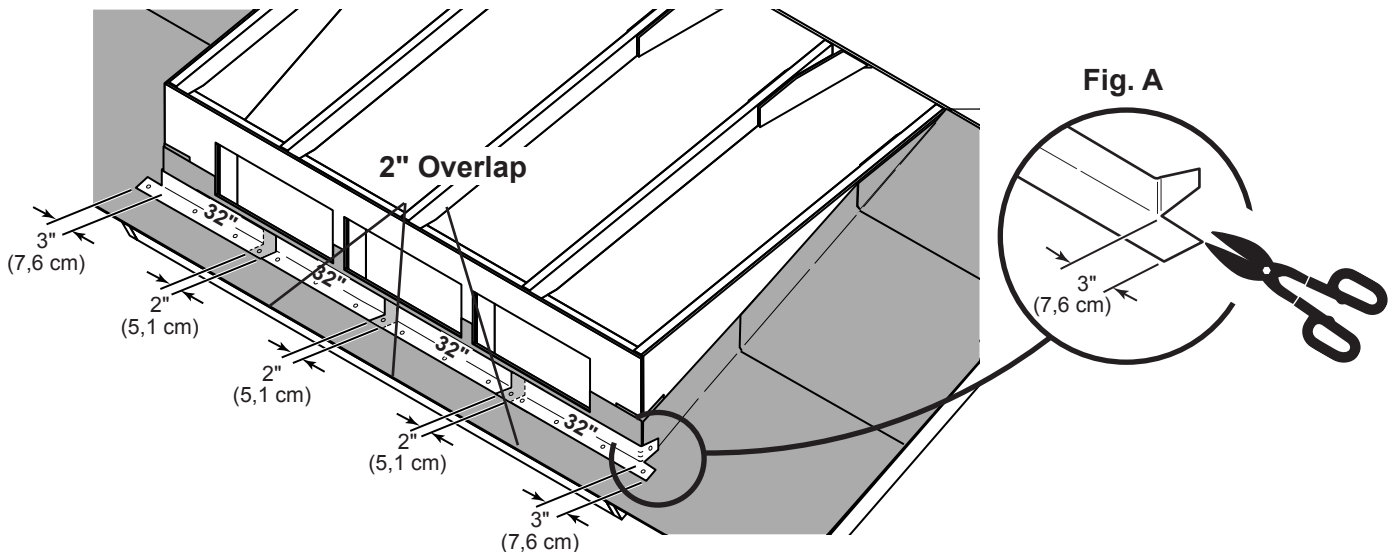
Read roofing instructions beginning at Page 116 for roofing felt, drip edge, and shingle installation.
Follow instructions below for dormer roofing felt and flashing installation.

✓ BEGIN

- 1 Install roofing felt around dormer prior to flashing. - **Do not exceed height of 2-1/4" (5,7 cm).**
Overlap felt layers by 3". Wrap corners with felt before installing larger pieces.
Secure felt with 1" roofing nails as shown.
Trim felt around OSB window openings.



- 2 Flash the front of dormer using (4) 4" x 32" flash cards. Overlap ends of flashing 2". Extend flashing 3" past corner of dormer. Trim flashing corner ends as shown (**Fig. A**). Bend tab around corner and secure flashing with 1" roofing nails. At one end flashing will have excess metal trimmed off length.

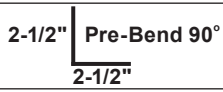


****IF USING DRIP EDGE, INSTALL NOW AROUND PERIMETER OF ROOF BEFORE MOVING TO NEXT PAGE****

DORMER FLASHING / SHINGLES

PARTS REQUIRED:
 (x40) 1" GALVANIZED
 ROOFING NAILS

(x26) 5" x 7" Aluminum
 Flashing Cards



- 3** Trim, bend and nail a 5" x 7" flashing at the dormer corner (**Fig. B**). Secure flashing with 1" nails.

Lay first row of shingles on top of flashing (**Fig. C**). Secure shingles with 1" roofing nails. Lay second row of shingles up to side of dormer (**Fig. C**). Secure with 1" roofing nails. Bend, place and nail a 5" x 7" flashing up the dormer wall and on top of shingle. Overlap first 5" x 7" flashing by 1-1/2". Secure with 1" roofing nails.

Do not nail into dormer wall.

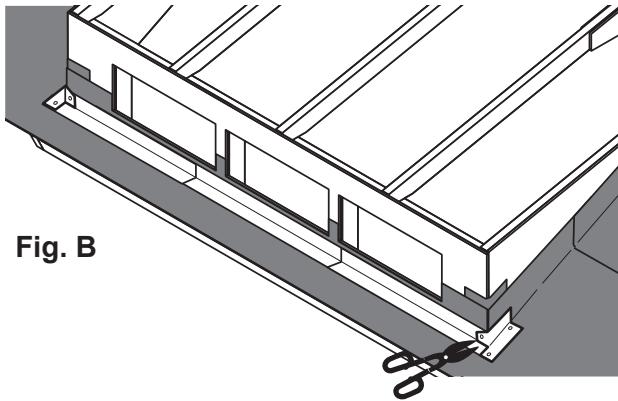


Fig. B

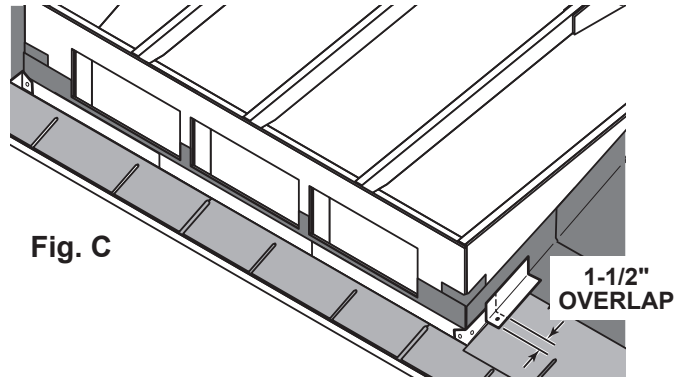
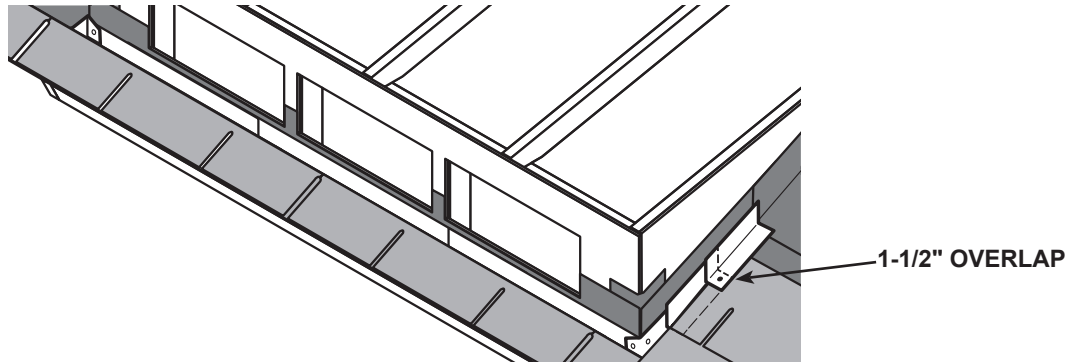


Fig. C

- 4** Lay next shingle on top of 5" x 7" flashing. Secure shingle with 1" nails. Bend and place next 5" x 7" flashing up the dormer wall and on top of shingle. Overlap flashing by 1-1/2". Secure flashing with 1" roofing nails.



- 5** Keep alternating and stepping flashing and shingles as in STEP 4 until you have reached the roof peak (**Fig. D**). You will have to trim flashing when you work near top of dormer.

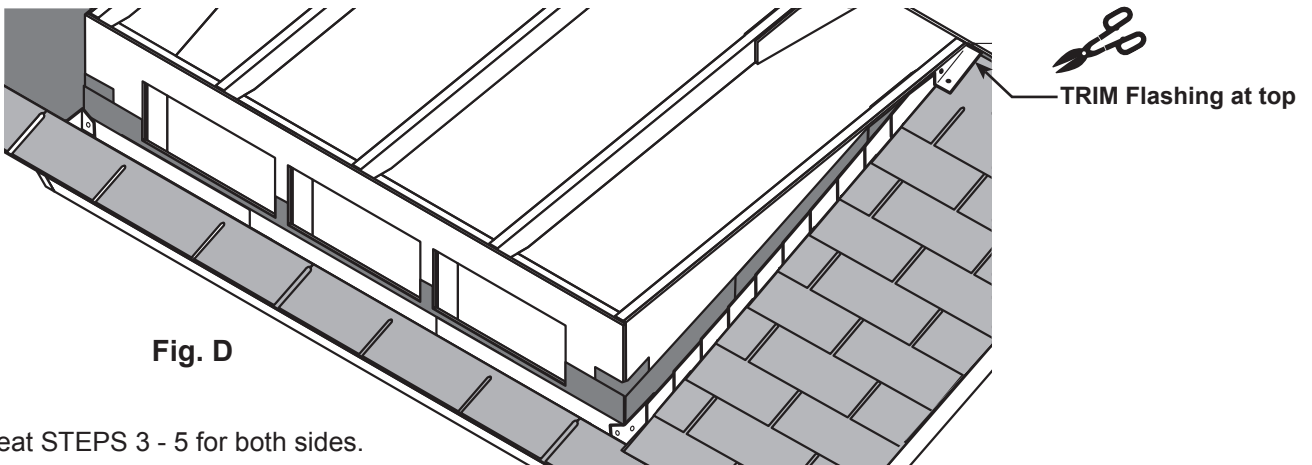


Fig. D

Repeat STEPS 3 - 5 for both sides.



You have finished installing your dormer flashing. Proceed to complete your dormer.

DORMER ROOF UNIT

PARTS REQUIRED:

x1 **BIB**
2 x 6 x 35-5/8" (5,1 x 15,2 x 90,5 cm)

x1 **VV**
2 x 6 x 67" (5,1 x 15,2 x 170,2 cm)

x1
7/16 x 48 x 96"
(1,1 x 121,9 x 243,8 cm)

x14
1-5/8" (4,1 cm)

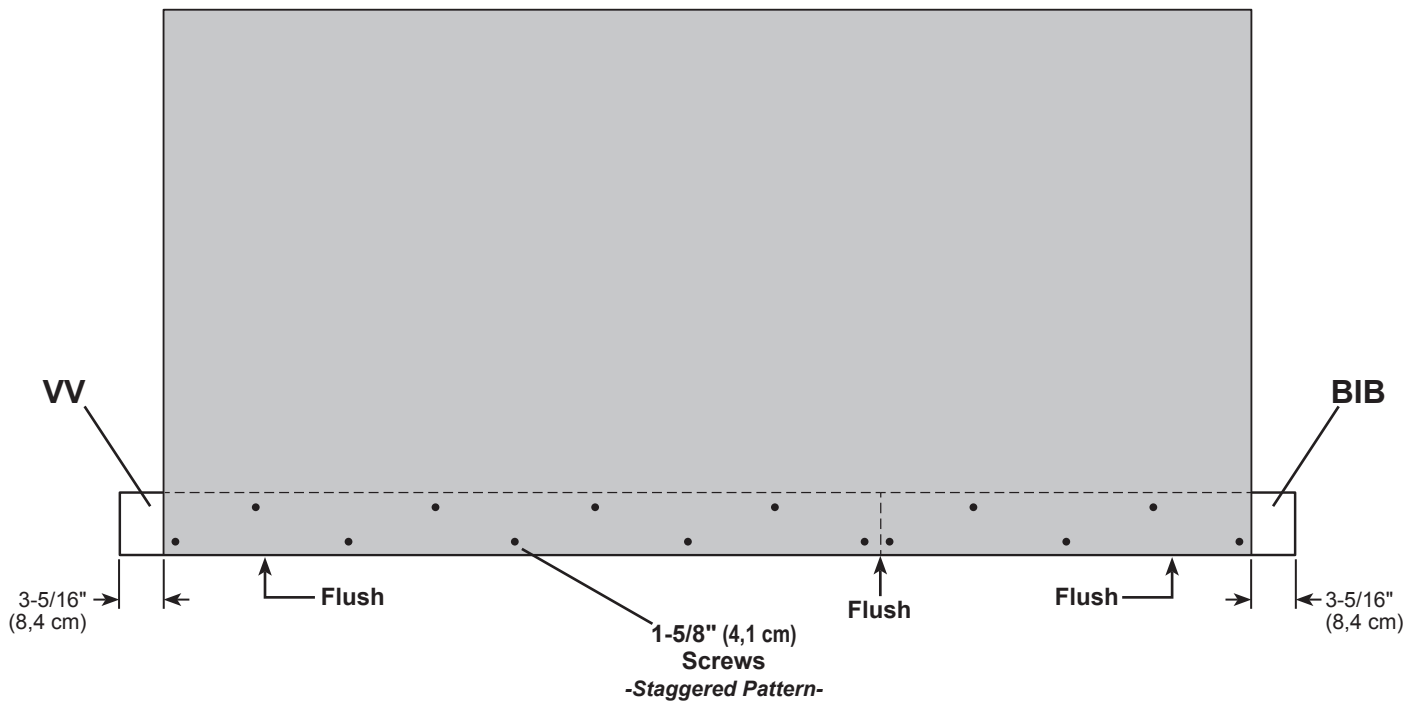


✓ BEGIN

1 Place **VV** and **BIB** on flat surface.

2 Place **48 x 96"** roof panel on top of **VV** and **BIB** with the rough side up.
Flush 2x6 parts at connection and adjust panel to 3-5/16" (8,4 cm) measurement at each side of panel, as shown. Panel should be flush to 2x6 parts along edge.

Secure panel with (6) 1-5/8" screws in a staggered pattern.



Your dormer roof unit is now assembled.

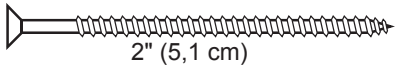
DORMER SIDE SOFFIT ASSEMBLIES

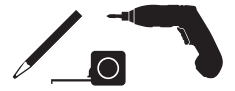
PARTS REQUIRED:

x2 **KNA**
2 x 4 x 52-1/2" (5,1 x 10,2 x 133,3 cm)

x1 **QNL**
19/32 x 3-1/2 x 58-5/8" (1,5 x 8,9 x 148,9 cm)

x1 **QNR**
19/32 x 3-1/2 x 58-5/8" (1,5 x 8,9 x 148,9 cm)

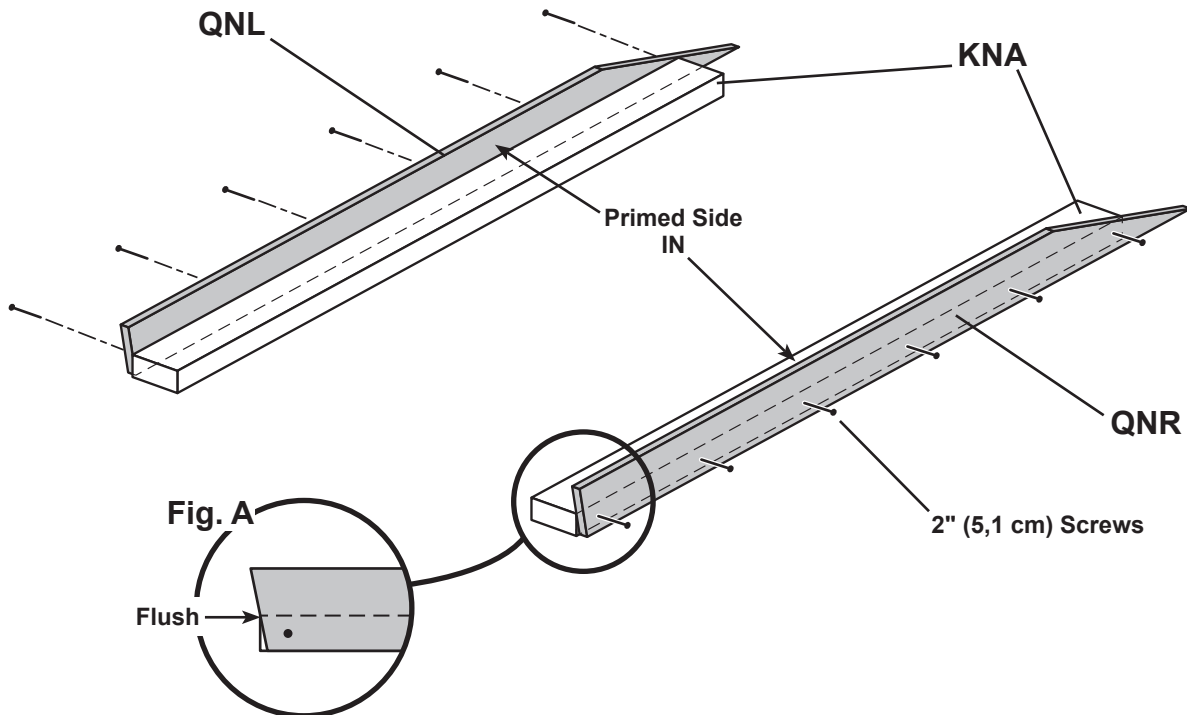
x12  2" (5,1 cm)



Build a left and a right soffit assembly.

✓ BEGIN

- 1 Orient parts as shown on a flat surface. Slide part **QNR** until angle meets the corner of **KNA** (**Fig. A**). Secure with (6) 2" screws spaced evenly.



Repeat STEP 1 to build opposite side soffit assembly.



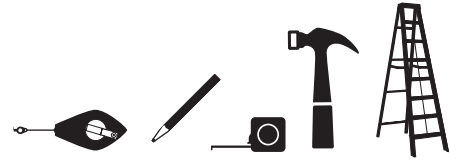
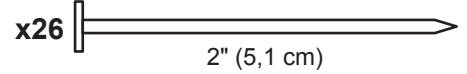
Your dormer roof side assemblies are complete.

DORMER ROOF

PARTS REQUIRED:



Pre-assembled
DORMER ROOF UNIT



- Install all roof panels with the grid lines facing up (rough side).
- Roof panels may cause serious injury until securely fastened.



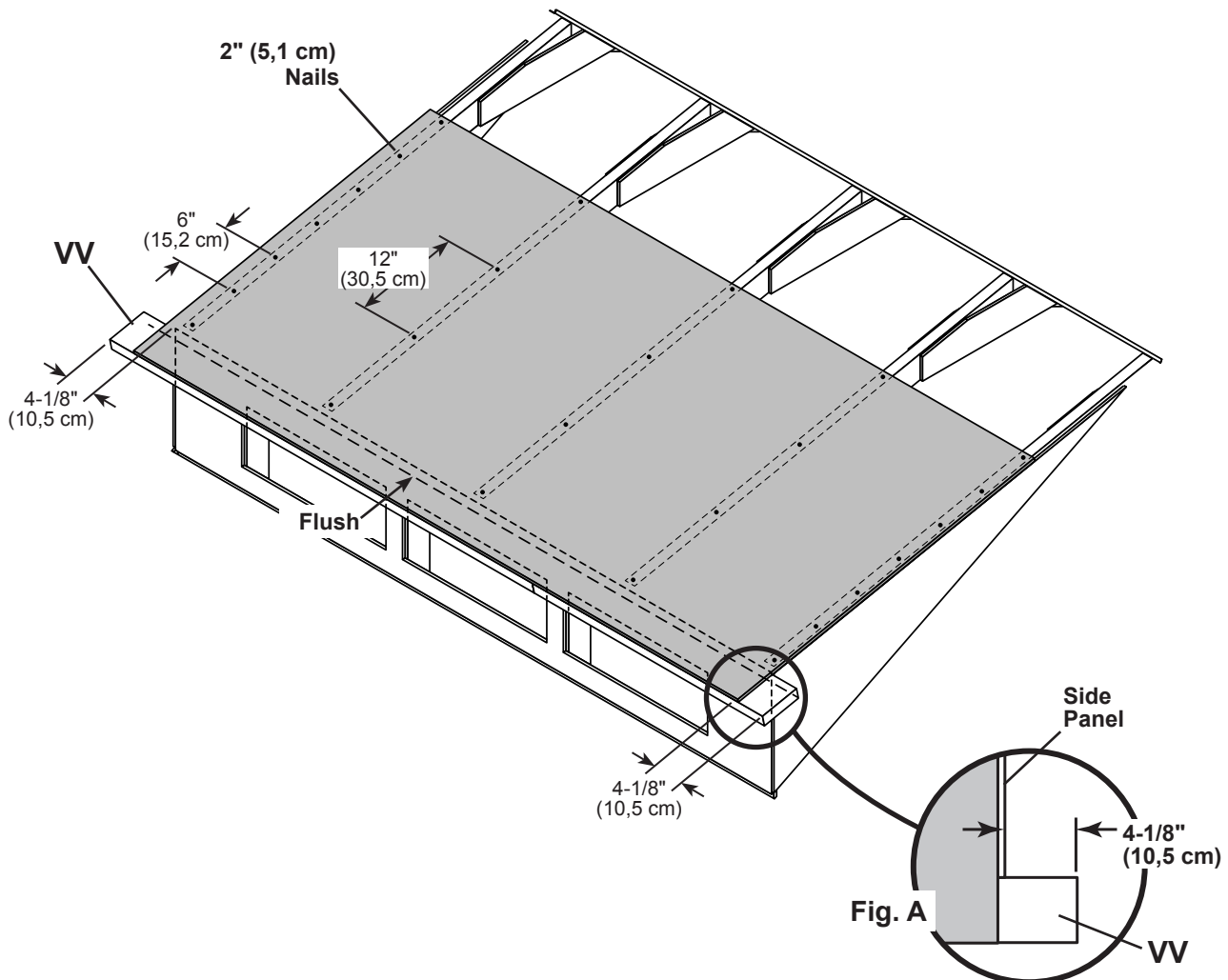
✓ BEGIN

- 1 Lift and center the dormer roof unit on the dormer.

Roof unit frame **VV** extends past dormer side panel by 4-1/8" (10,5 cm) at each side (**Fig. A**).
VV is flush against front dormer panel.

- 2 Mark rafter locations on dormer panel.

Secure roof panel with 2" nails spaced 6" apart along panel edges and 12" apart inside of panel.

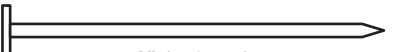


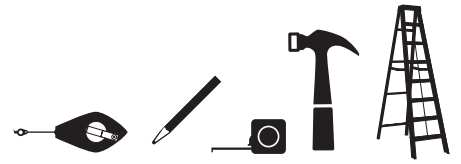
DORMER ROOF

PARTS REQUIRED:

x1 

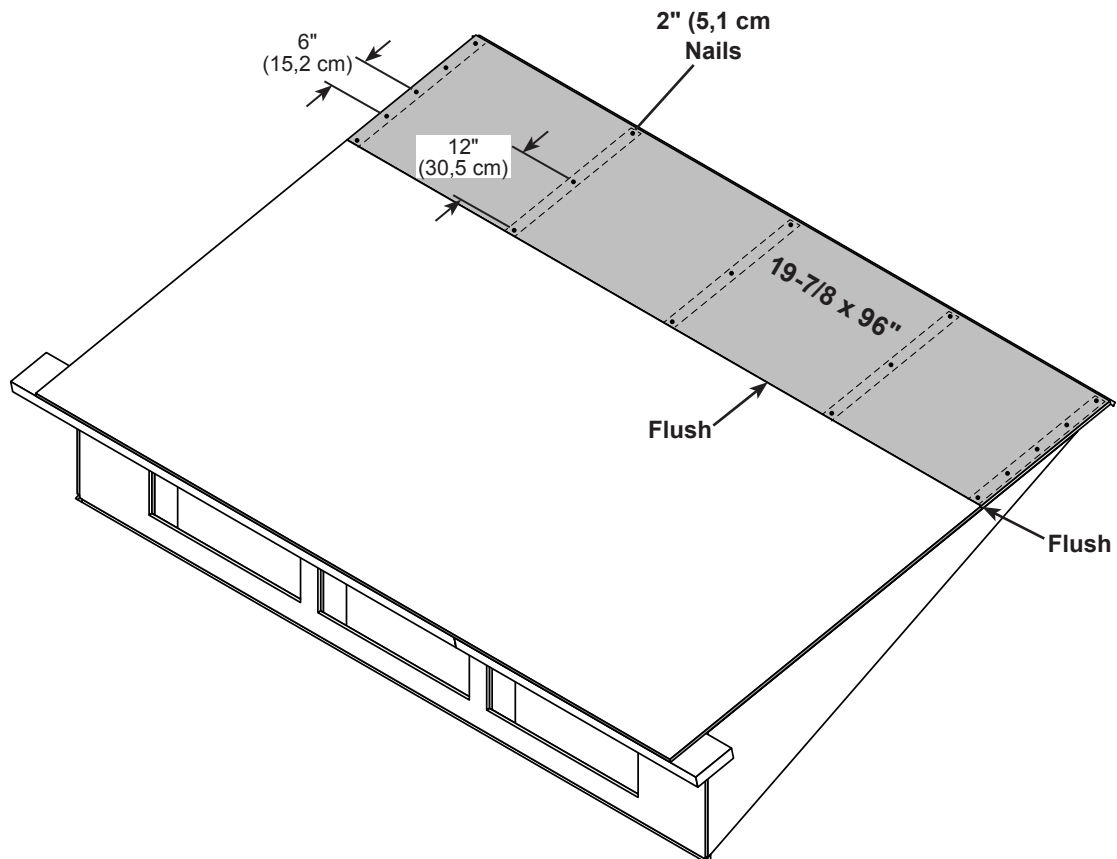
7/16 x 19-7/8 x 96"
(1,1 x 50,5 x 243,8 cm)

x19 
2" (5,1 cm)

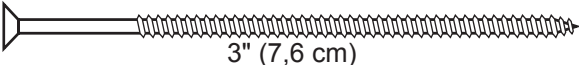
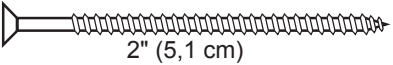


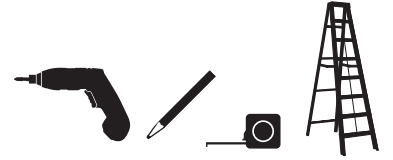
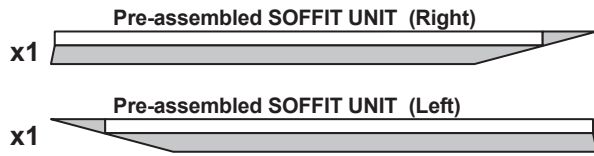
3 Install the 19-7/8 x 96" panel flush to the installed panel.

4 Mark rafter locations on the panel and secure with 2" nails spaced 6" apart along panel edges and 12" apart inside of panel.



DORMER ROOF

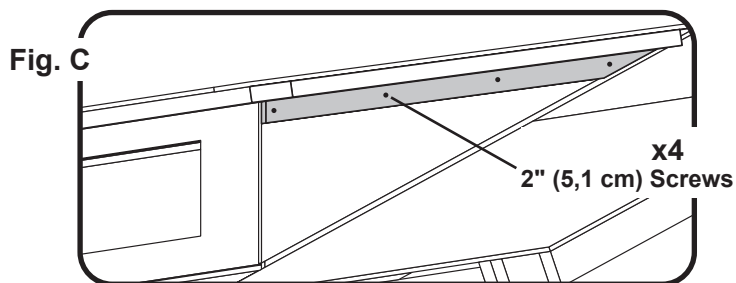
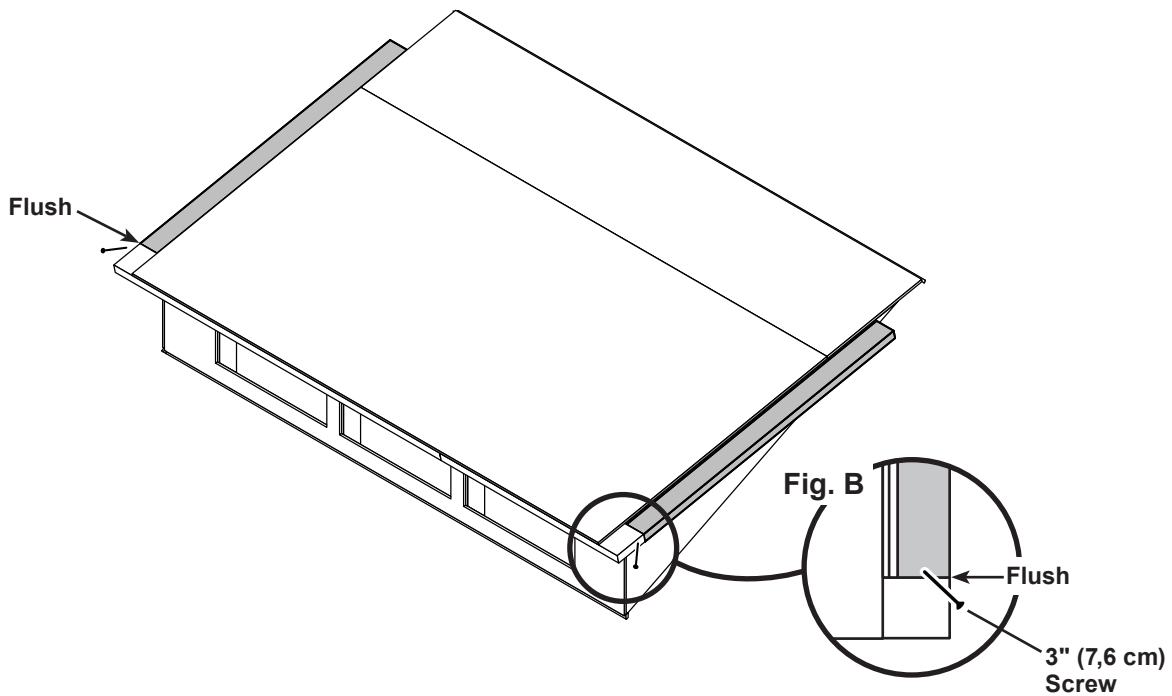
PARTS REQUIRED: x2  x8 



5 Place **SOFFIT UNIT** tight against dormer wall and flush with front soffit board (**Fig. B**).

Secure **SOFFIT UNIT** with 2" screws (**Fig. C**).


6 Toe-screw soffits together with 3" screws (**Fig. B**).



Repeat STEPS 5 and 6 for opposite side soffit unit.

DORMER ROOF

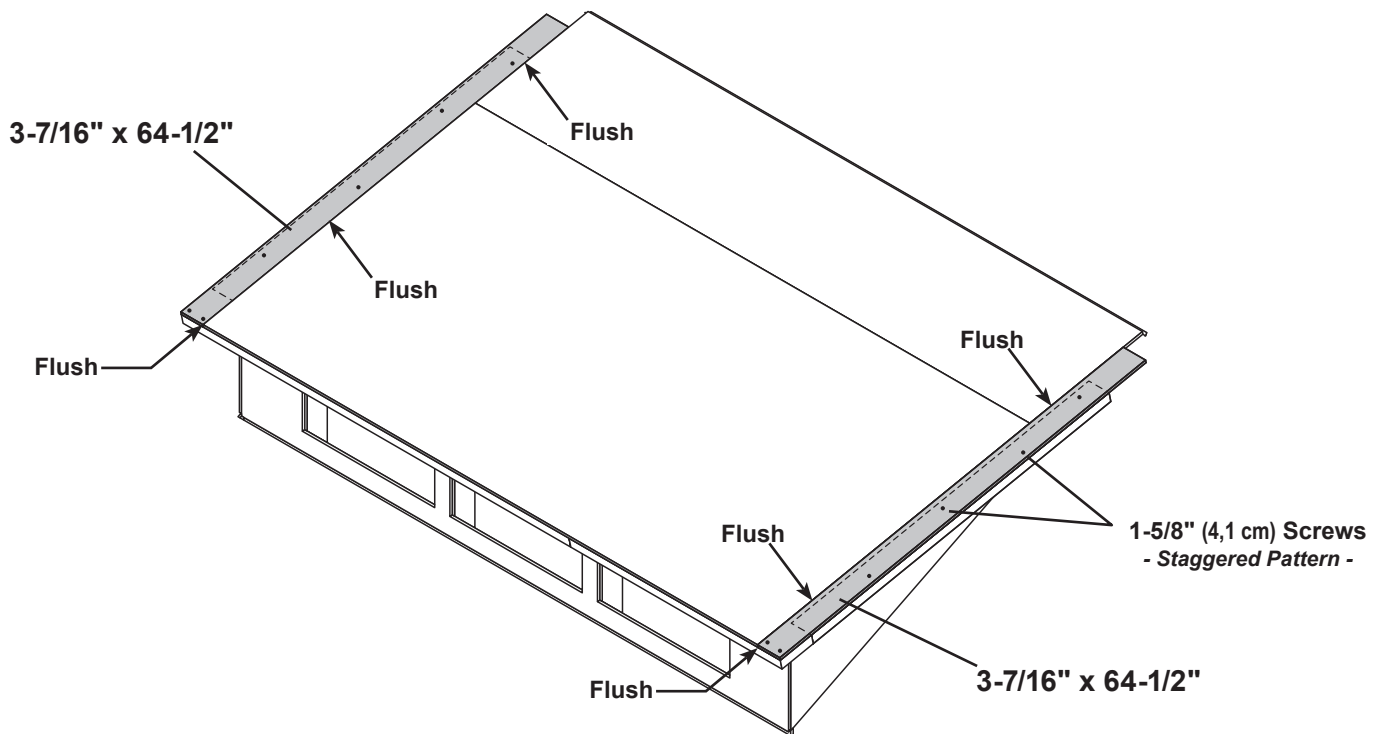
PARTS REQUIRED:

x2 
7/16 x 3-7/16 x 64-1/2"
(1,1 x 8,7 x 163,8 cm)

x12 
1-5/8" (4,1 cm)



- 7** Place **3-7/16" x 64-1/2"** dormer roof panels on either side of installed dormer roof panels. Hold flush to front and along panel seam.
Secure with 1-5/8" screws in a staggered pattern as shown.



Your dormer roof and soffits are now installed.

DORMER FASCIA

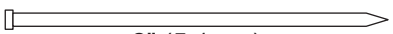
PARTS REQUIRED:

x1 **UUC**
19/32 x 2-1/2 x 60" (1,5 x 6,3 x 152,4 cm)

x2 **WJA**
19/32 x 2-1/2 x 43-13/16" (5,1 x 10,2 x 111,3 cm)

x1 **MHL**
19/32 x 2-1/2 x 64-1/2" (1,5 x 6,3 x 163,8 cm)

x1 **MHR**
19/32 x 2-1/2 x 64-1/2" (1,5 x 6,3 x 163,8 cm)

x25  2" (5,1 cm)

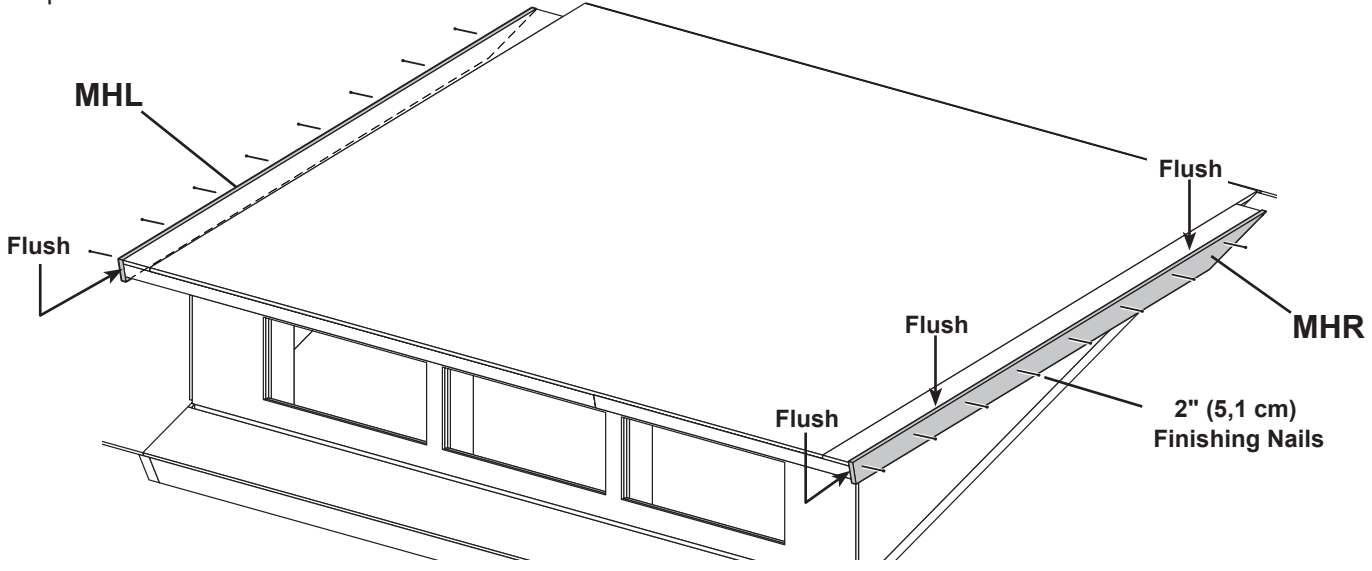


✓ BEGIN

1 Place **MHR** flush with side and front of roof panel.

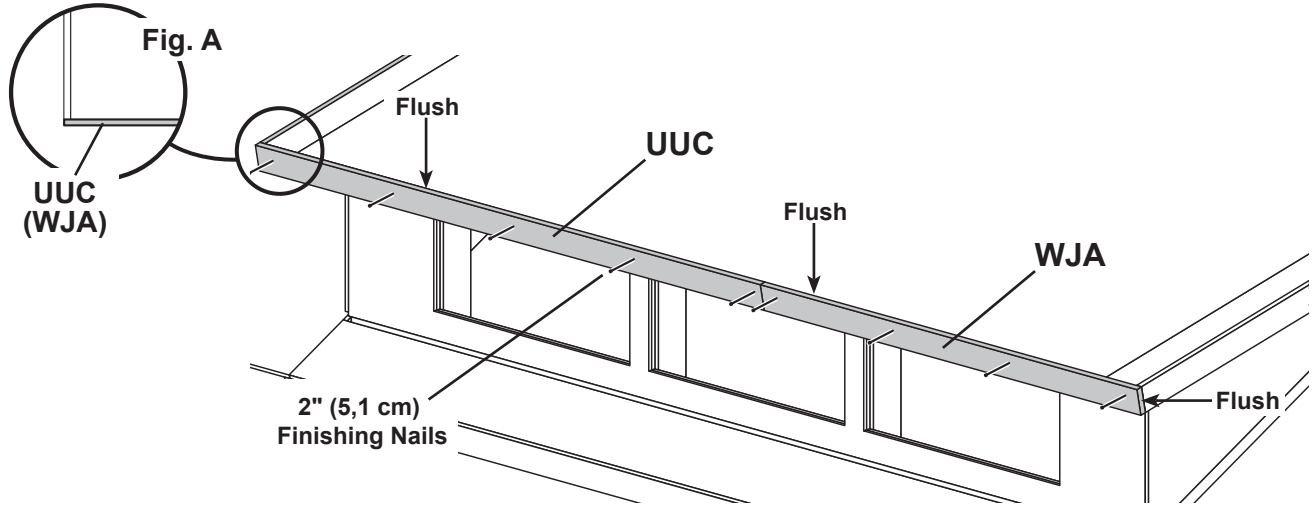
Secure with 2" finishing nails.

Repeat to install **MHL**.



2 Install **UUC** and **WJA** flush with roof panels and with ends flush to **MHR** and **MHL** (Fig. A).

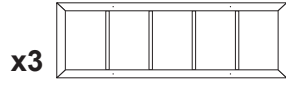
Secure with (10) 2" finishing nails evenly spaced.



Your dormer fascia trim is now installed.

DORMER WINDOWS

PARTS REQUIRED:



x12 3/4" (1,9 cm)

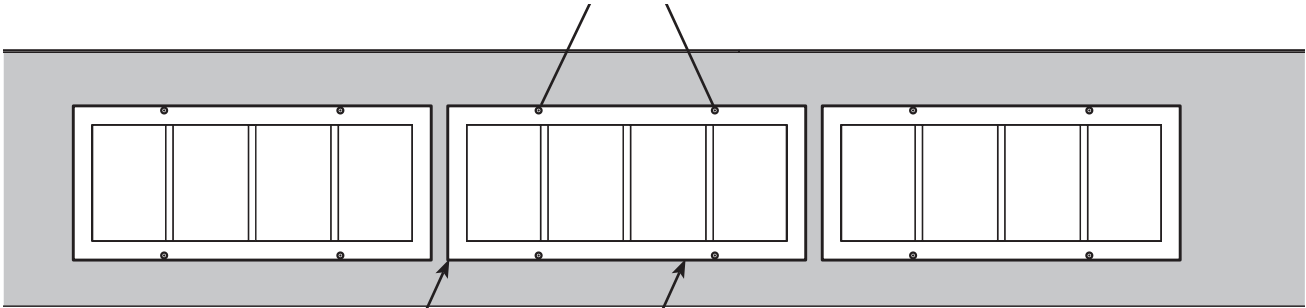


BEGIN

1 Seal windows with high-quality exterior-grade caulk before installing.

Secure windows with 3/4" screws as shown.

(4) 3/4" screws per window



HINT: Caulk behind frame near edge before installing.



You must caulk around windows to validate warranty.



FINISH

Your dormer windows are now installed.

DORMER TRIM

PARTS REQUIRED:

x6 2" (5,1 cm)

x1 **MFL**
19/32 x 2-1/2 x 13-11/16"
(1,5 x 6,3 x 39,8 cm)

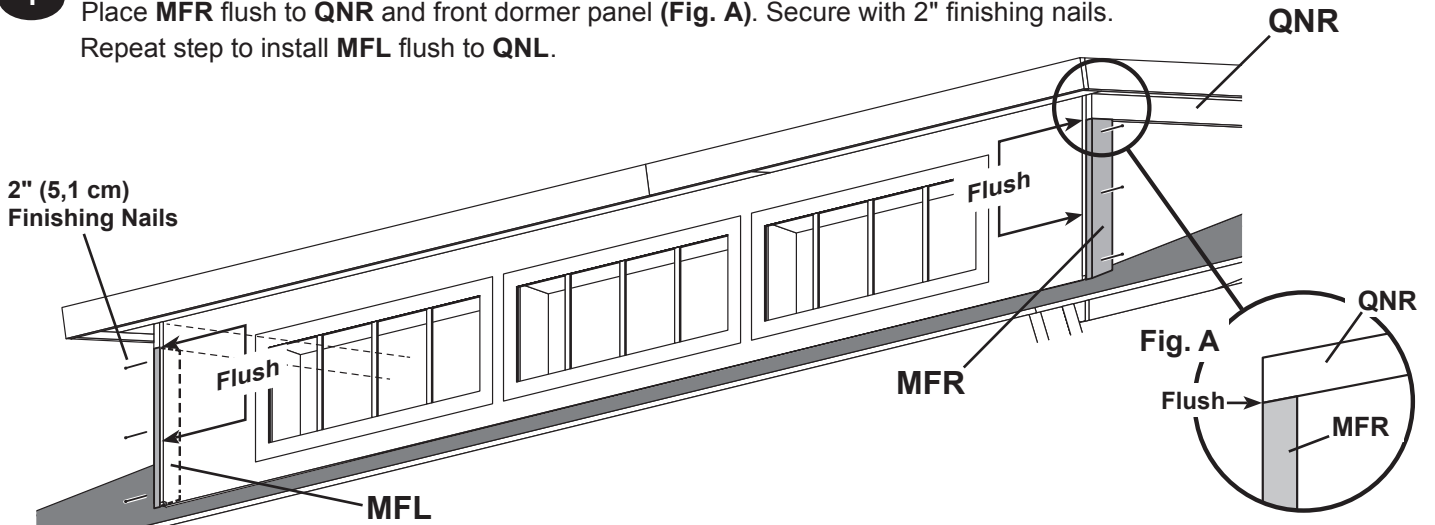
x1 **MFR**
19/32 x 2-1/2 x 13-11/16"
(1,5 x 6,3 x 39,8 cm)



BEGIN

! Install all dormer trim parts with primed side facing out.

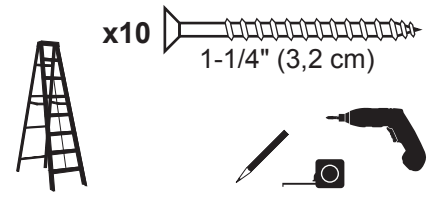
1 Place **MFR** flush to **QNR** and front dormer panel (**Fig. A**). Secure with 2" finishing nails. Repeat step to install **MFL** flush to **QNL**.



DORMER TRIM

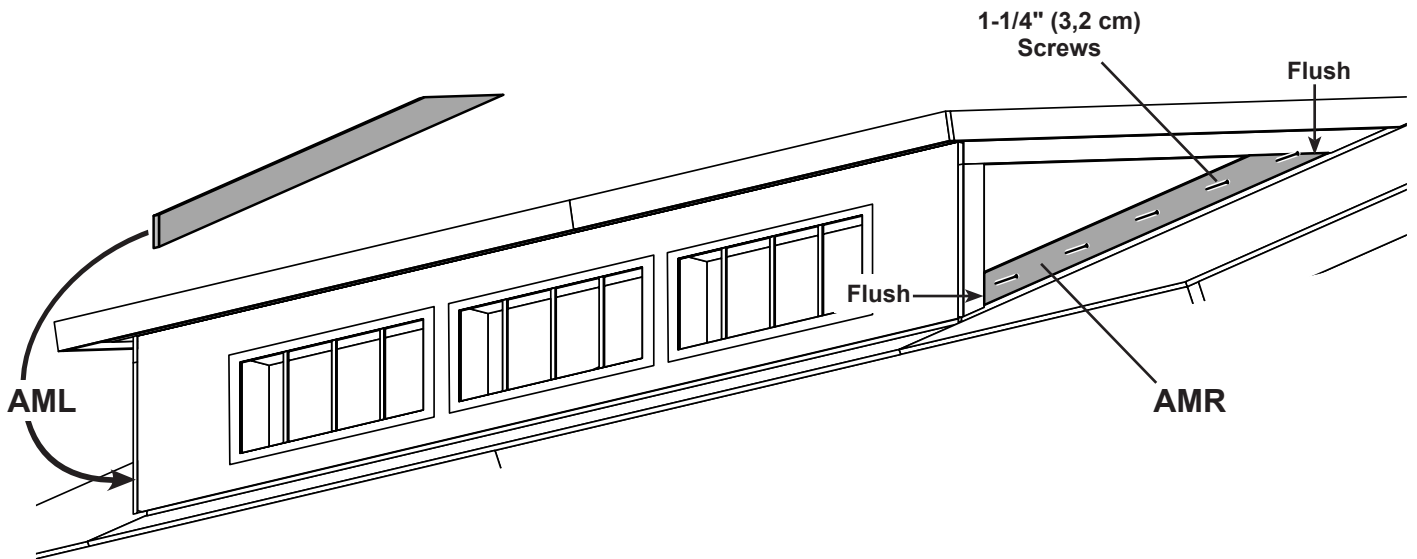
PARTS REQUIRED:

- x1 **AML** 19/32 x 2-1/2 x 46-9/16" (1,5 x 6,3 x 118,3 cm)
x1 **AMR** 19/32 x 2-1/2 x 46-9/16" (1,5 x 6,3 x 118,3 cm)



- 2** Install **AMR** flush to **MFR** and **QNR**. Secure with 1-1/4" screws, evenly spaced.

Repeat STEP 2 to install dormer trim **AML** on the left side of dormer.



DORMER WINDOW TRIM

PARTS REQUIRED:

x4 DLN
19/32 x 3-1/2 x 9-1/8"
(1,5 x 8,9 x 23,2 cm)

x2 MEA
19/32 x 2-1/2 x 15-1/8"
(1,5 x 6,3 x 38,4 cm)

x1 IDA
19/32 x 2-1/2 x 90-9/16" (1,5 x 6,3 x 230 cm)

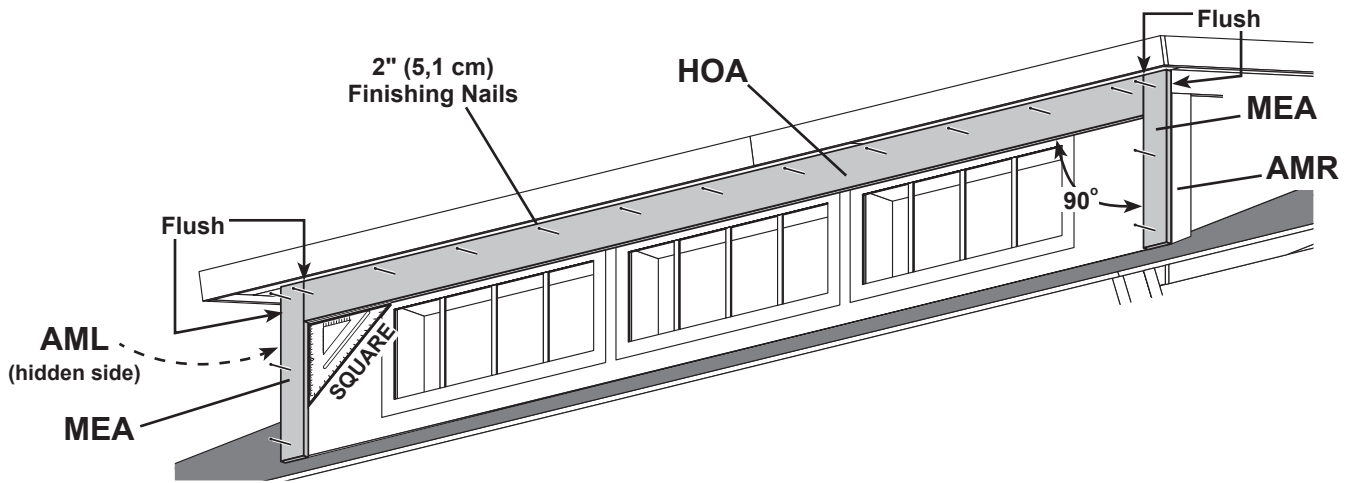
x1 HOA
19/32 x 3-1/2 x 90-9/16" (1,5 x 8,9 x 230 cm)

x11  **x25** 
1-1/4" (3,2 cm) 2" (5,1 cm)

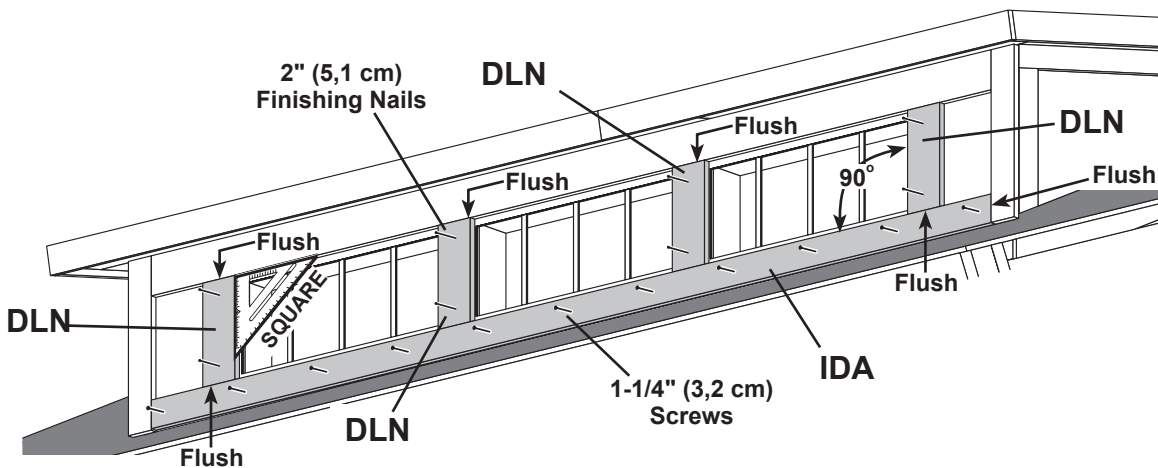


BEGIN  **Install all dormer trim parts with primed side facing out.**

- 1** Install **MEA** flush up to dormer front soffit and **AMR**. Secure with 2" finishing nails.
- 2** Place **HOA** flush up to front soffit and **MEA**. Secure with 2" finishing nails.
- 3** Place second **MEA** flush with **HOA** and **AML**. Secure with 2" finishing nails.




- 4** Install (2) **DLN** centered over window edges and flush up to installed top window trim **HOA**. Secure with 2" finishing nails.
- 5** Place (2) **DLN** square and flush up to **HOA**. Secure with 2" finishing nails.
- 6** Install **IDA** bottom window trim flush up to installed **DLN**. Hold in place and secure with 1-1/4" screws.




Your dormer trim is now installed.

GABLE END SOFFITS

PARTS REQUIRED:

x4 
 3/8 x 7-7/8 x 73-5/16" (1 x 20 x 186,2 cm)



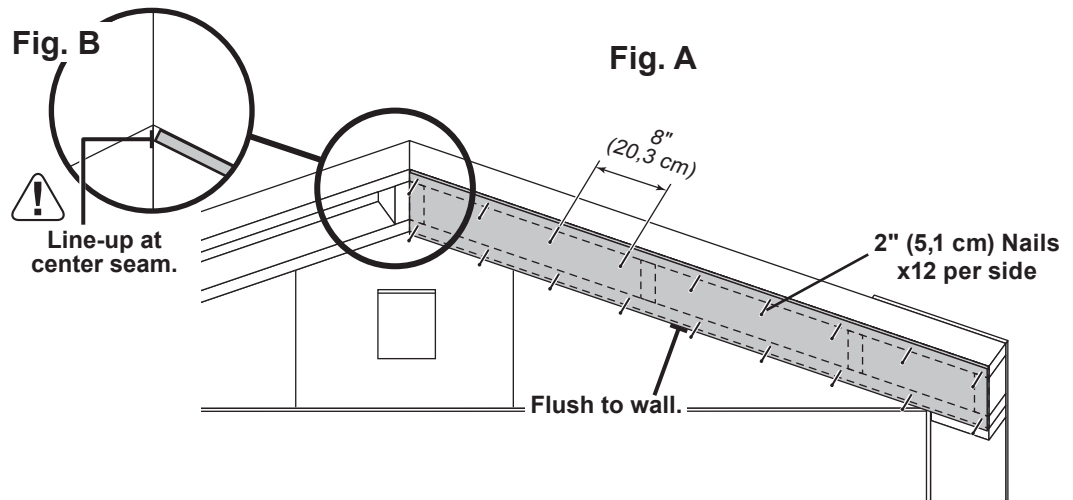
x72  2" (5,1 cm)



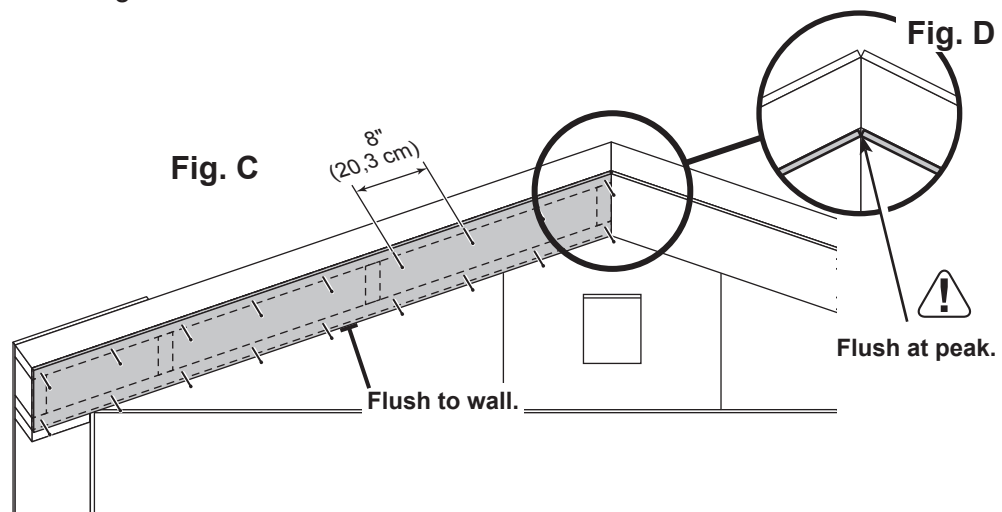
! *Install all soffit boards with the primed side facing down.*
 Ensure soffit boards are lined-up at seam (Fig. B) and at peak (Fig. D).

✓ **BEGIN**

- 1** Install right 73-5/16" overhang board flush to front wall (Fig A) and flush to gable frame seam (Fig B).
 Secure with (12) 2" finishing nails.



- 2** Install left 73-5/16" overhang board flush to front wall (Fig C), and flush to right overhang board (Fig. D).
 Secure with (12) 2" finishing nails.




Repeat STEPS 1 - 2 to attach soffit boards on the opposite side.



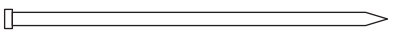
Your soffit panels are now installed.

EAVE SIDE SOFFITS

PARTS REQUIRED:

x2 
3/8 x 5-7/8 x 72-3/4" (1 x 14,9 x 184,8 cm)



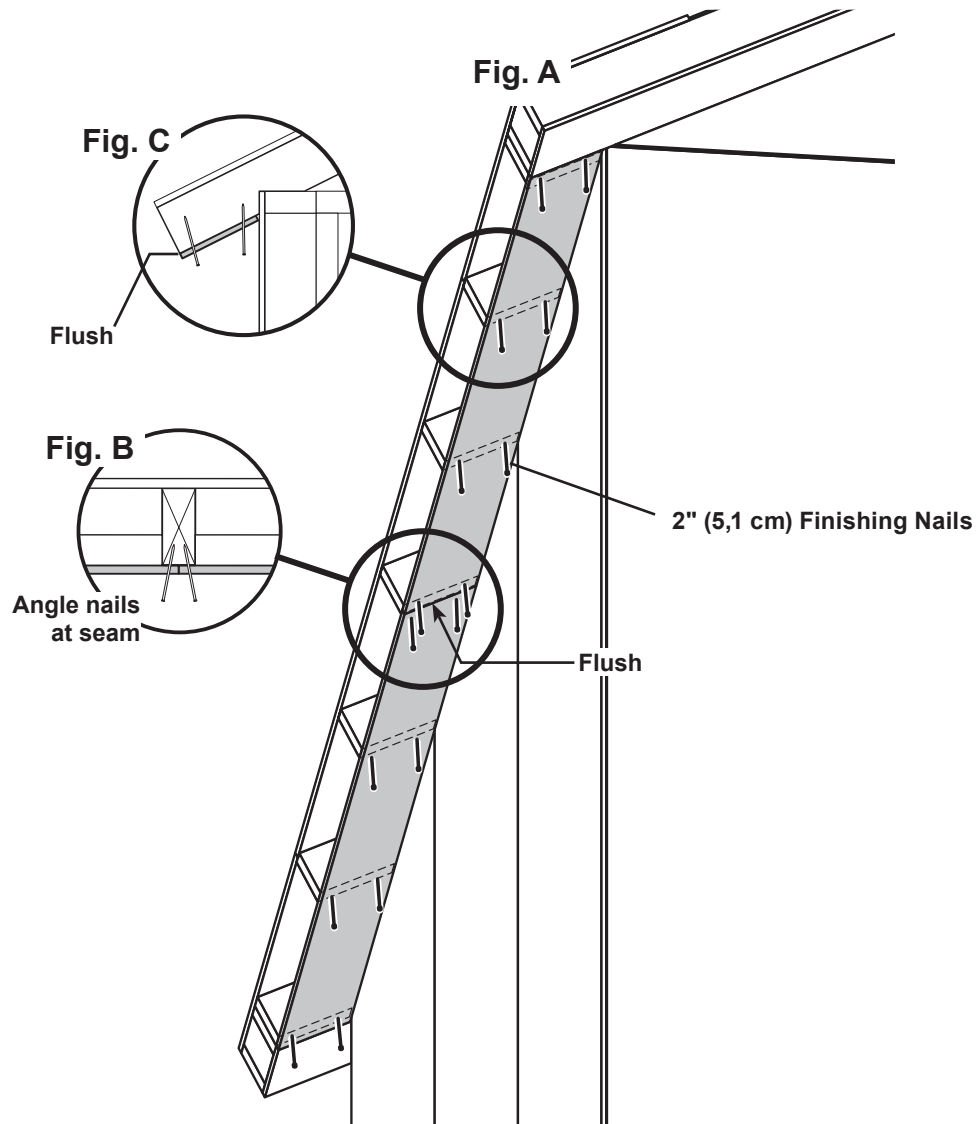
x18 
2" (5,1 cm)



 **Install all soffit boards with the primed side facing down.**
Ensure soffit boards are flush at rafter ends (Fig. C) and flush at seams.


✓ **BEGIN**


- 1 Starting at the center rafter, install 72-3/4" soffit boards flush together (Fig A).
Angle nails at center seam (Fig. B).
Secure with 2" finishing nails as shown.



EAVE SIDE SOFFITS (dormer side)

PARTS REQUIRED:

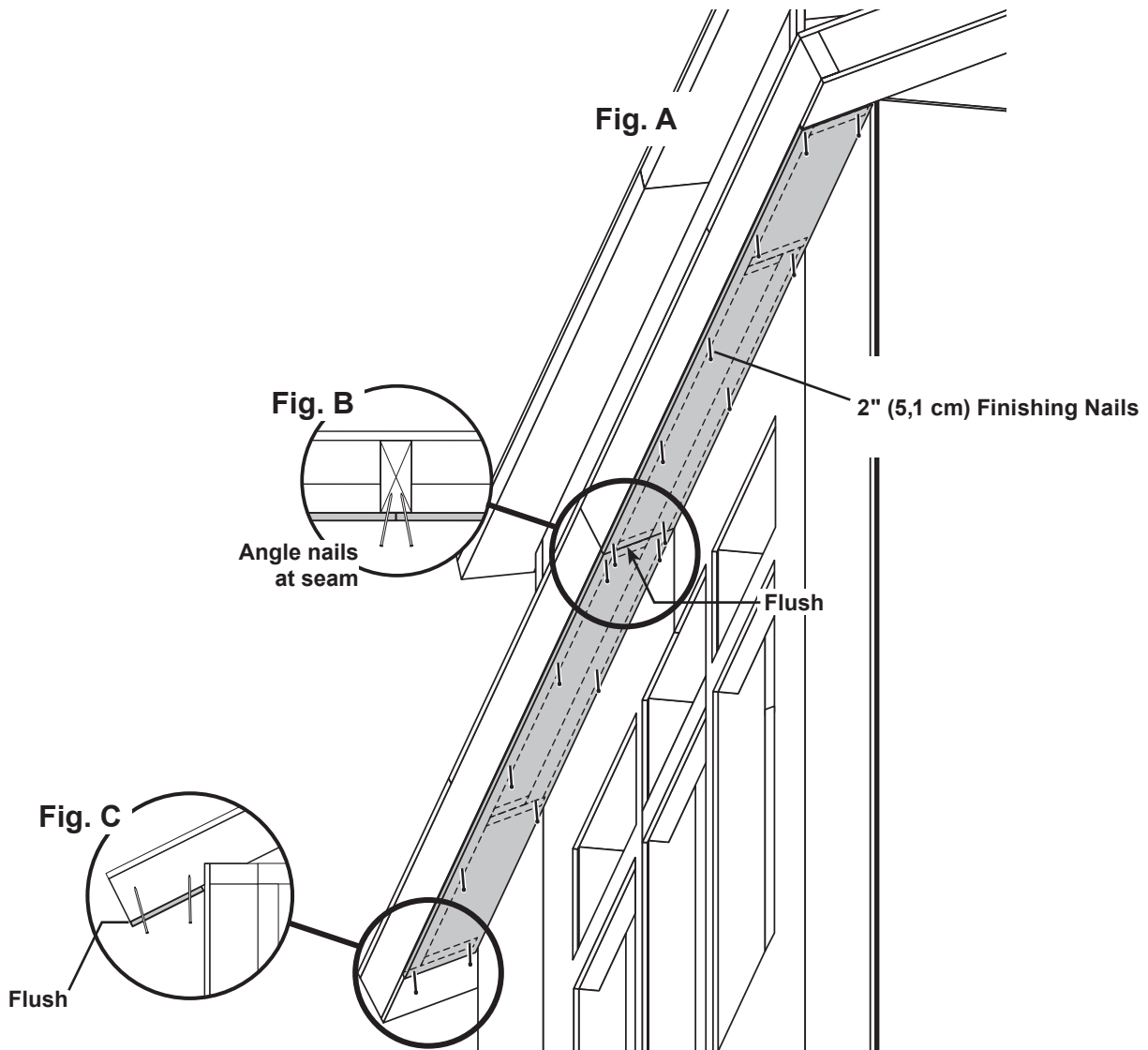
x2 
3/8 x 5-7/8 x 72-3/4" (1 x 14,9 x 184,8 cm)

x18 
2" (5,1 cm)



 **Install all soffit boards with the primed side facing down.**
Ensure soffit boards are flush at rafter ends (Fig. C) and flush at seams.


- Starting in the middle of the eave framing, install 72-3/4" soffit boards flush together (Fig A).
Angle nails at center seam (Fig. B).
Secure with 2" finishing nails as shown.




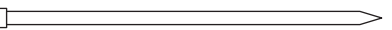
You have finished installing your eave side soffit boards.

GABLE FASCIA

PARTS REQUIRED:

x2 
3/8 x 4-3/4 x 76-1/8" (1 x 12,1 x 193,4 cm)

x2 
3/8 x 4-3/4 x 76-1/8" (1 x 12,1 x 193,4 cm)

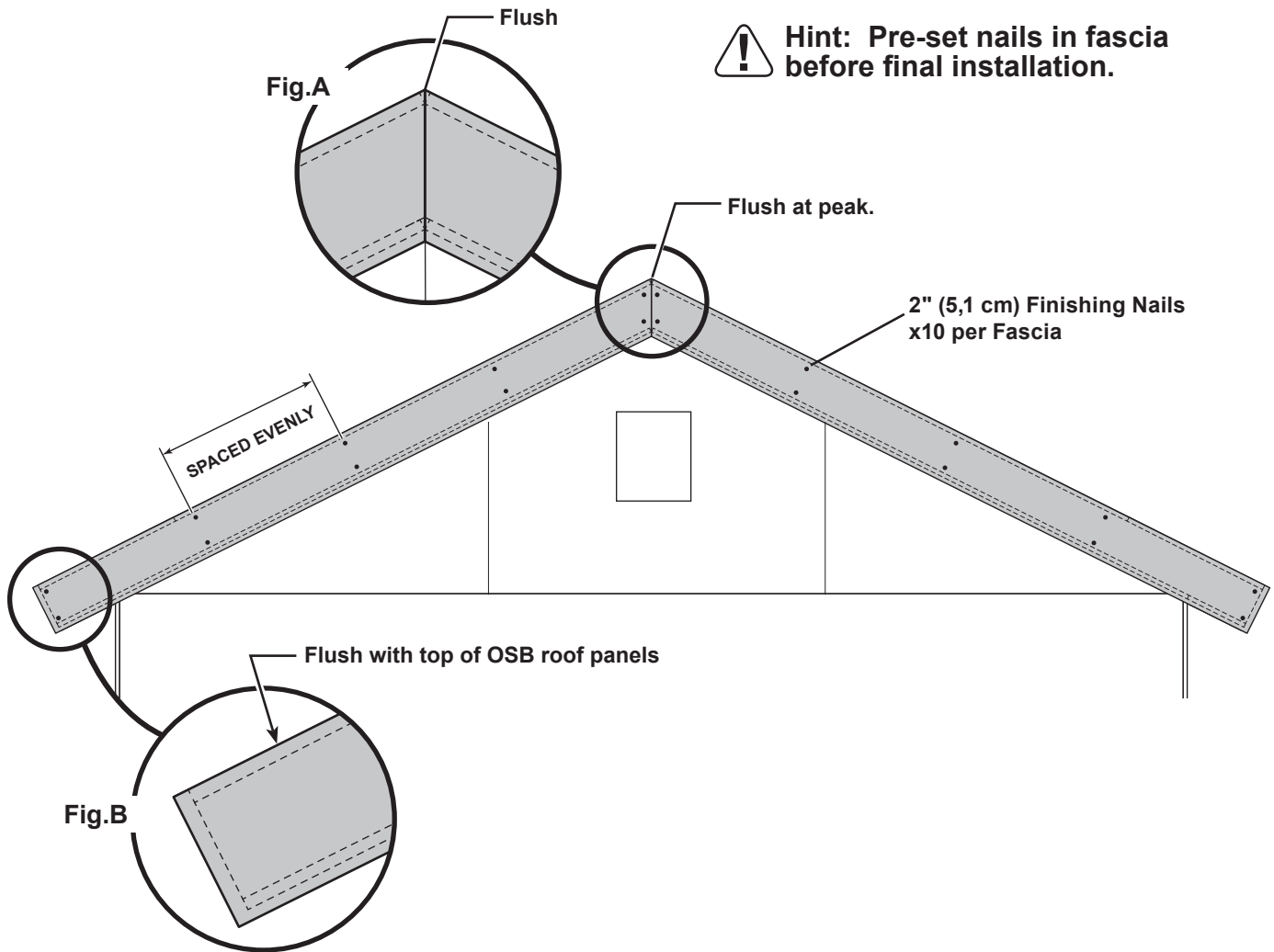
x40  2" (5,1 cm)



 **Install all fascia boards with the primed side facing out.**

 **BEGIN**

- 1** Position fascia with **primed side out** and flush to peak and roof panels as shown (Fig. A, Fig B). Secure with 2" finishing nails spaced evenly as shown.




Repeat STEP 1 to install gable fascia to opposite side.




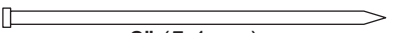
You have finished installing your gable fascia.

EAVE SIDE FASCIA

PARTS REQUIRED:

x2 
3/8 x 4-3/4 x 72" (1 x 12,1 x 182,9 cm)

x2 
3/8 x 4-3/4 x 89-1/4" (1 x 12,1 x 226,7 cm)

x20 
2" (5,1 cm)

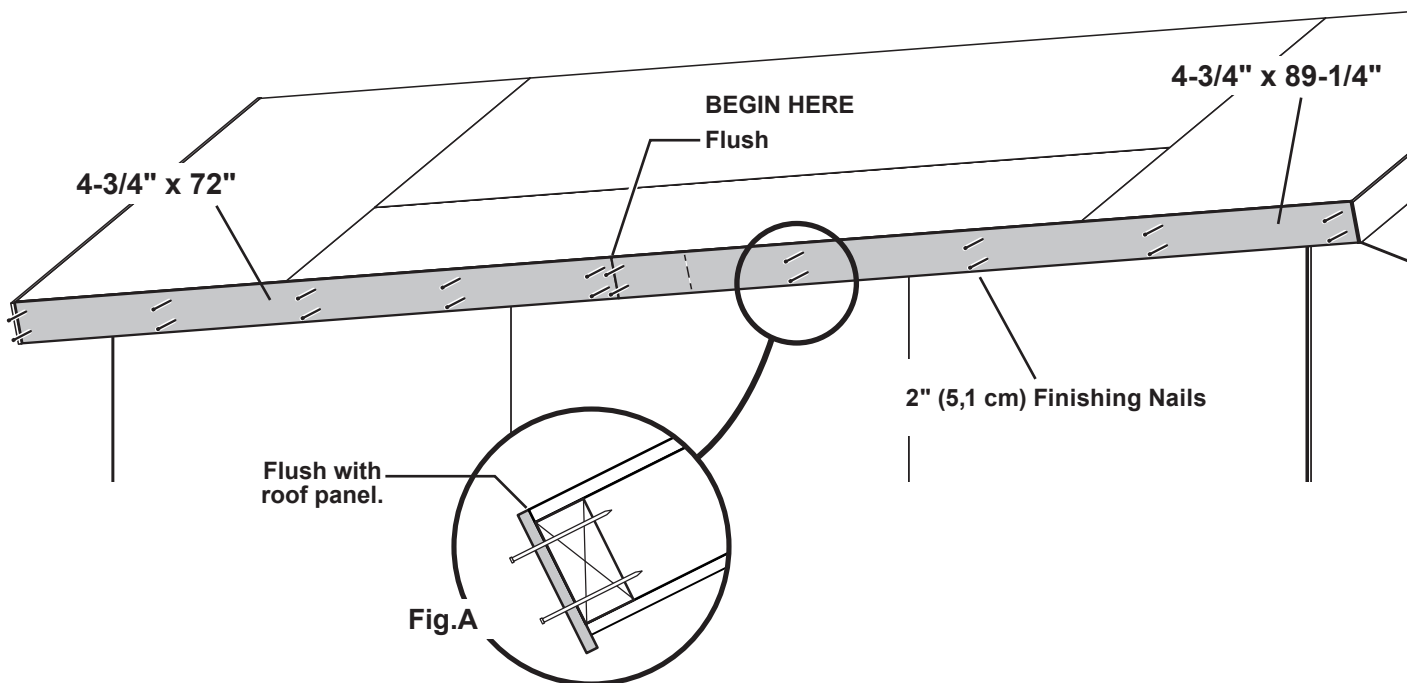


 **Install all fascia boards with the primed side facing out.**

 **BEGIN**

- 1** Position 72" and 4-3/4" x 89-1/4" fascia boards flush with roof panels and flush over center rafter as shown (**Fig. A**).

Secure with 2" finishing nails evenly spaced at shown locations.



Repeat STEP 1 to install fascia on opposite eave.



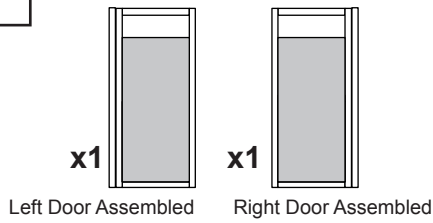
You have finished installing your eave side fascia.

DOORS

PARTS REQUIRED:

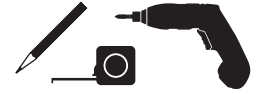
x1 **OO**
69" (175,3 cm) Door Stiffener

x1 **GAA**
1 x 3 x 5" (2,5 x 7,6 x 12,7 cm)



x4 3" (7,6 cm)

x2 1-5/8" (4,1 cm)

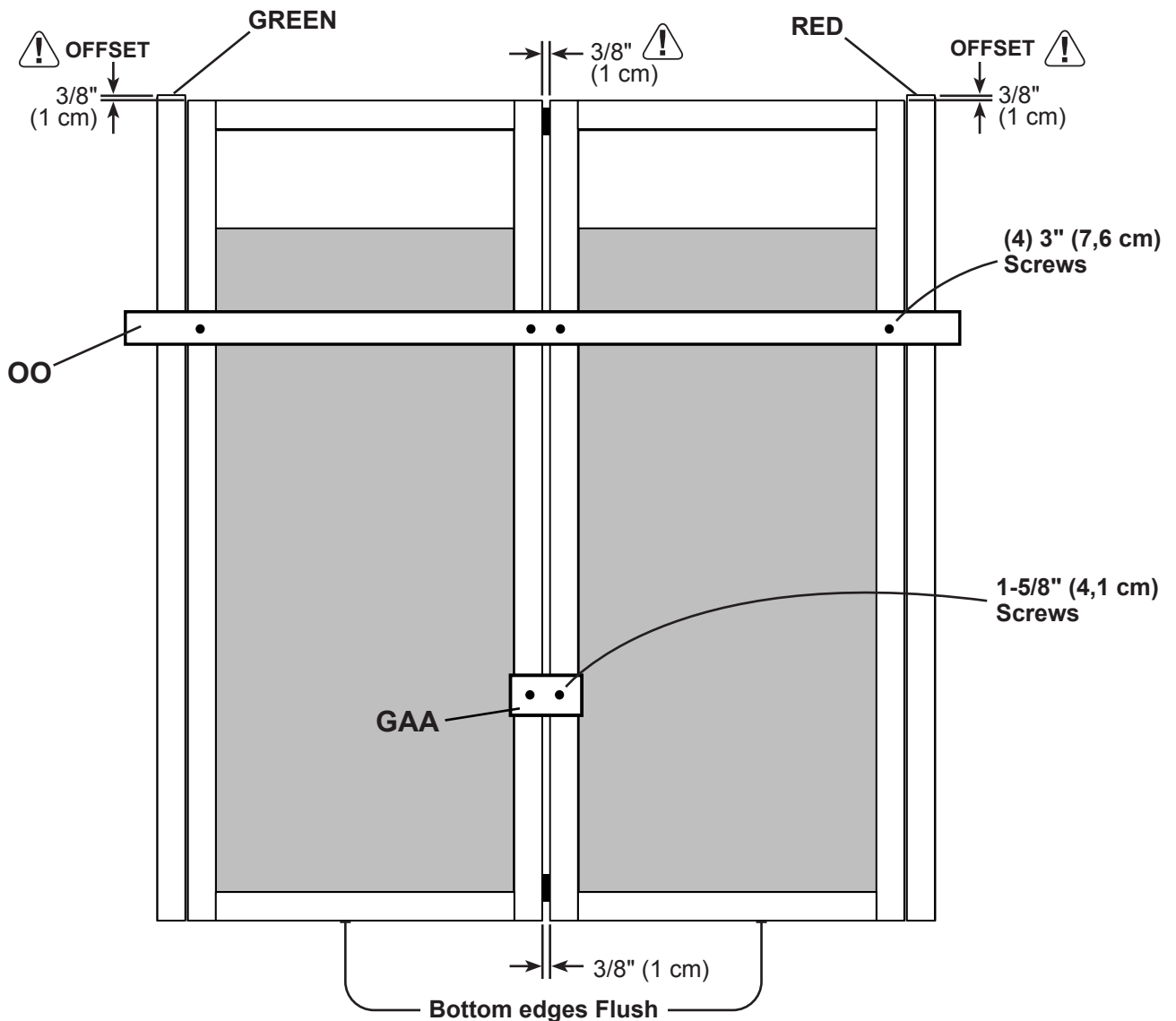


✓ BEGIN

1 Orient parts as shown on flat surface. **3/8" offset is to top.**


Look for red (right) and green (left) on hinge board.


Attach temporary supports **OO** and **GAA** as shown.



DOORS (eave or gable wall)

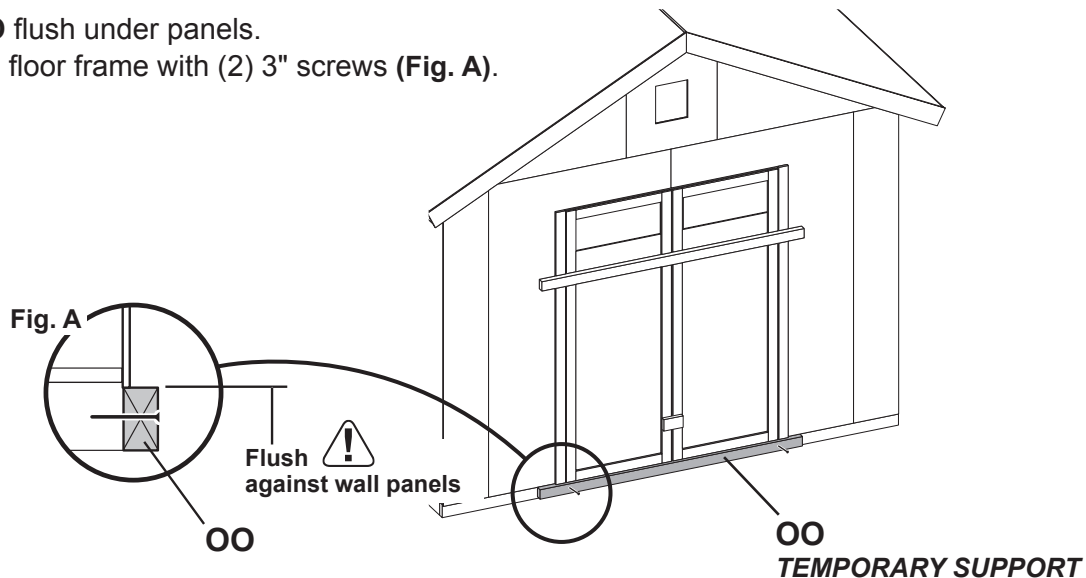
PARTS REQUIRED:

x12  3" (7,6 cm)

x1  **TEMPORARY SUPPORT**
69" (175,3) Door Stiffener

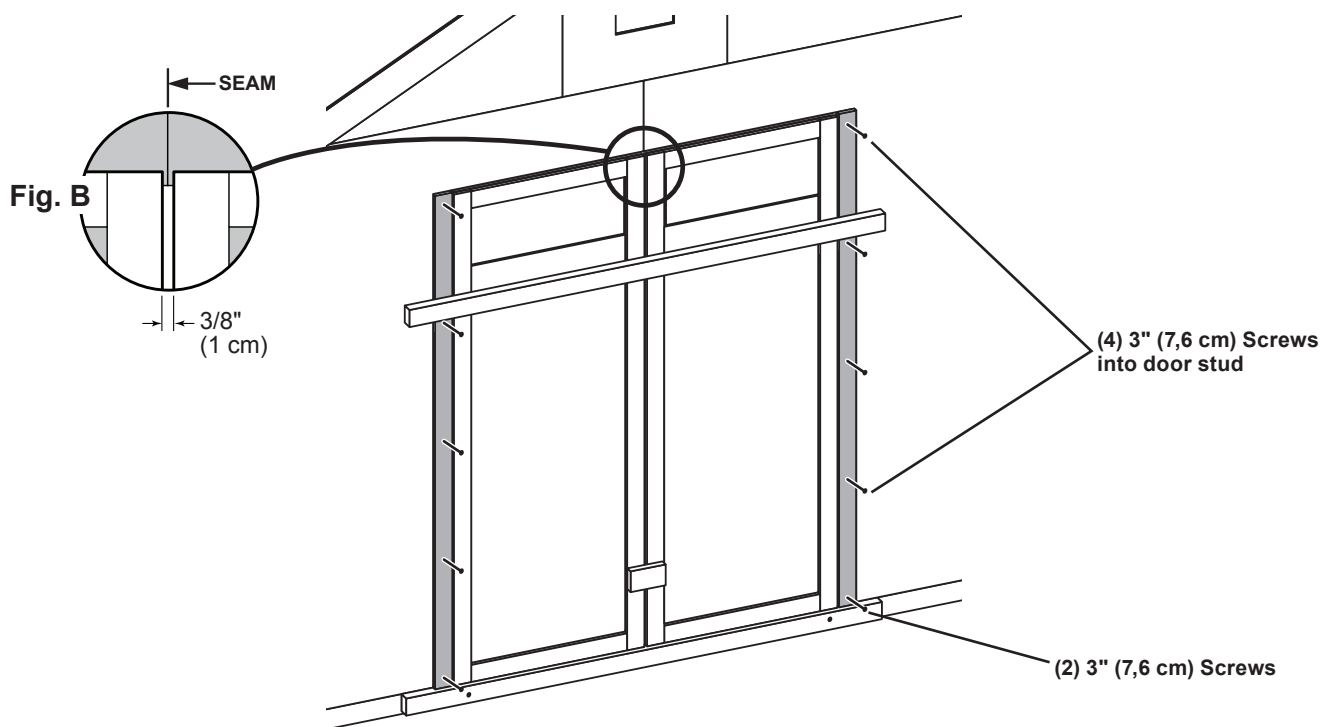


- 2** Install **OO** flush under panels.
Secure to floor frame with (2) 3" screws (**Fig. A**).



- 3** Center doors on panel seam as shown (**Fig. B**). 

- 4** Screw hinge boards into wall supports with (10) 3" screws as shown.
 **Make sure screws go into framing.**



Remove temporary supports and ensure that the doors open and close properly.




You have finished installing your doors.

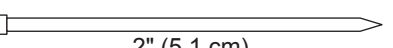
DOOR TRIM

PARTS REQUIRED:

x4 **FA**
19/32 x 2-1/2 x 22-5/8" (2,5 x 6,3 x 57,5 cm)

x1 **WR**
19/32 x 2-1/2 x 63" (2,5 x 6,3 x 160 cm)

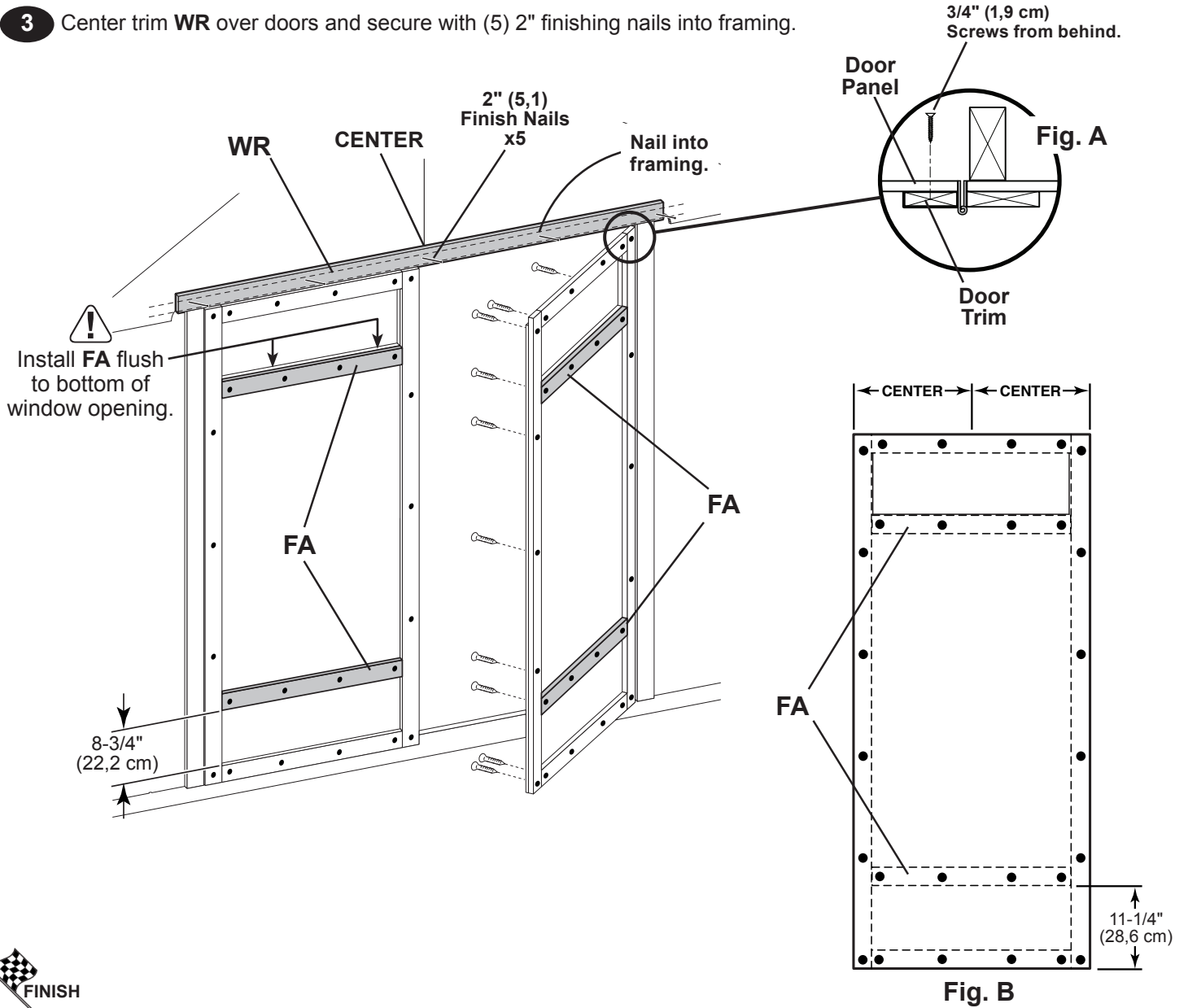
x56 
3/4" (1,9 cm)

x5 
2" (5,1 cm)



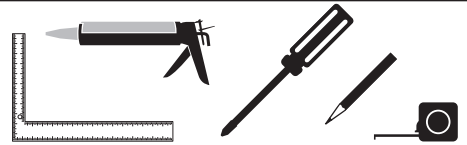
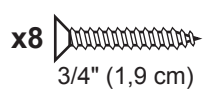
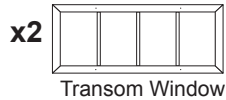
✓ BEGIN

- 1 Reinforce the door trim with 3/4" screws through door panel into trim (Fig. A, Fig. B).
- 2 Attach horizontal door rails **FA** with 3/4" screws from inside of doors as shown.
- 3 Center trim **WR** over doors and secure with (5) 2" finishing nails into framing.



DOOR TRANSOM WINDOWS

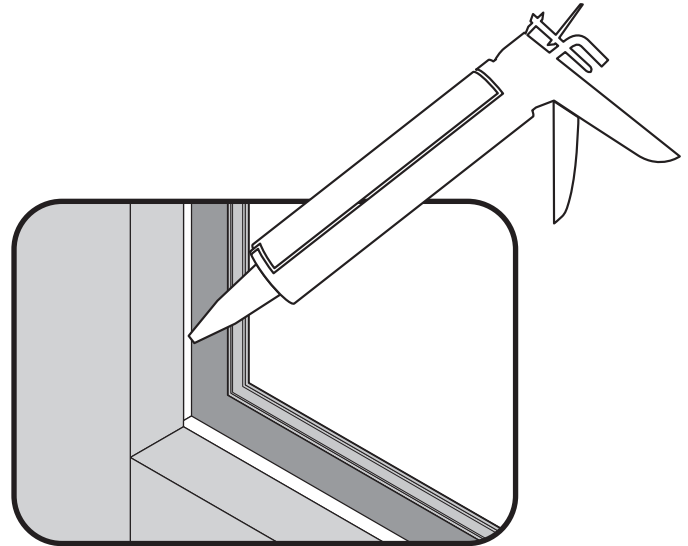
PARTS REQUIRED:



✓ BEGIN

- 1 Apply high quality exterior-grade caulk behind frame near edge before installing to seal window.

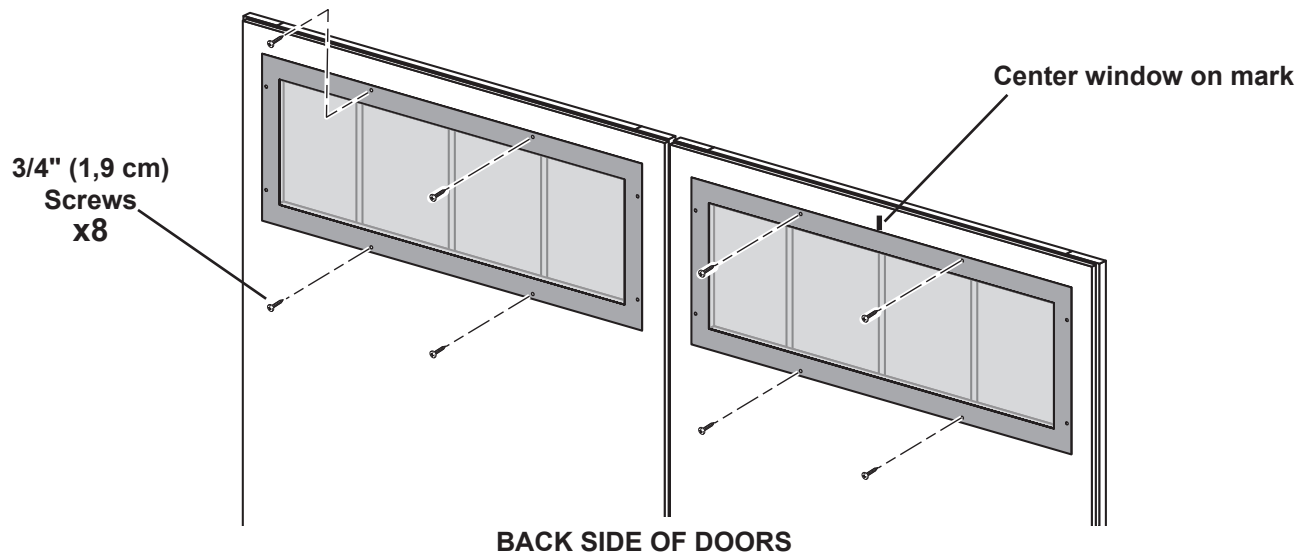
You must caulk completely around window frame and all exposed door panel edges and trim to validate your warranty. Use a paintable exterior rated caulk.



FRONT SIDE VIEW

- 2 Install window from the back side of the door. Center the window looking at the front of the door, make sure there is an even reveal along the trim of the door and the window.

Use 3/4" screws to secure the window.

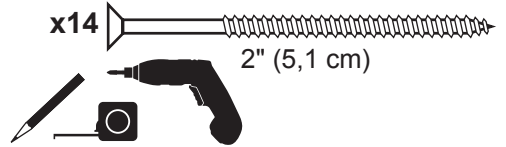


Your transom windows are installed.

DOOR STIFFENERS

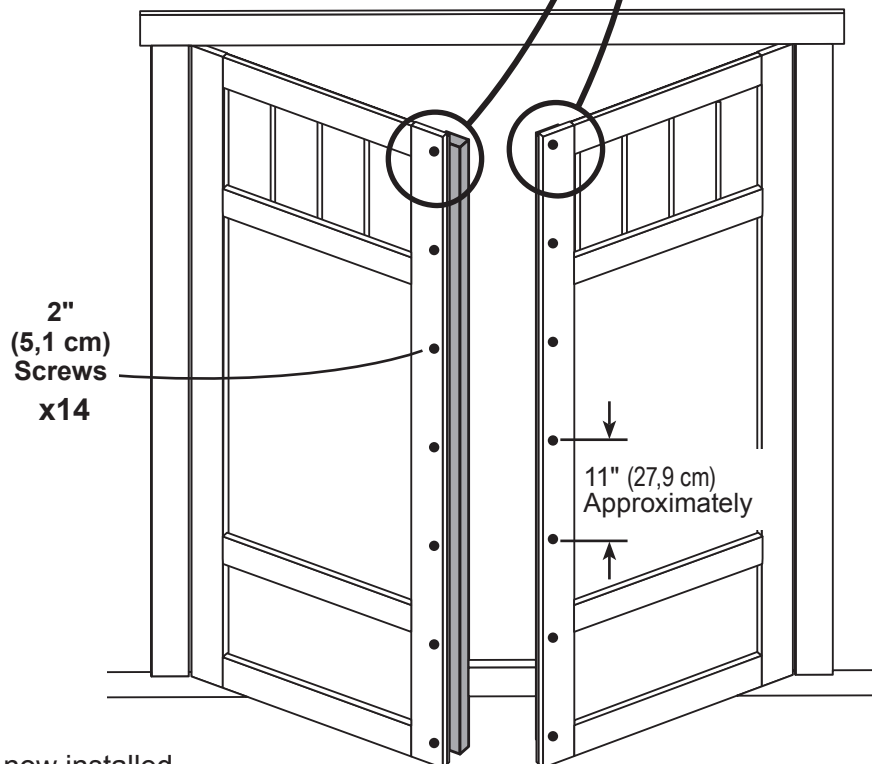
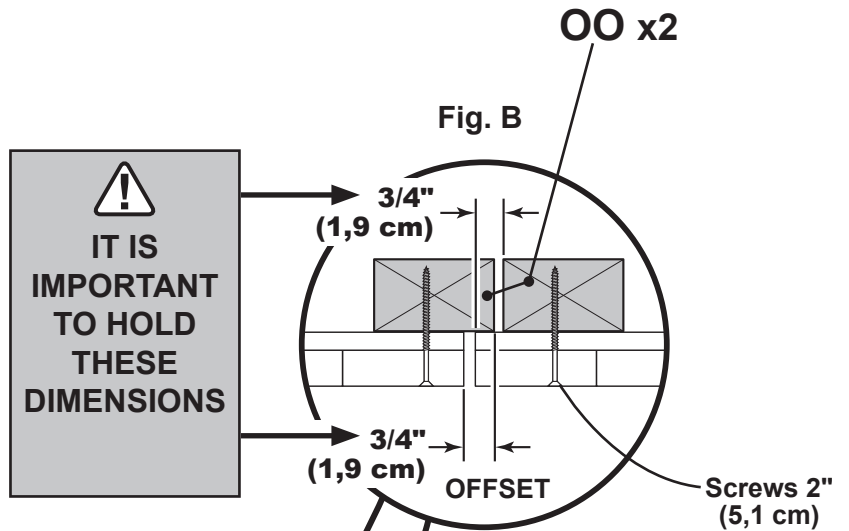
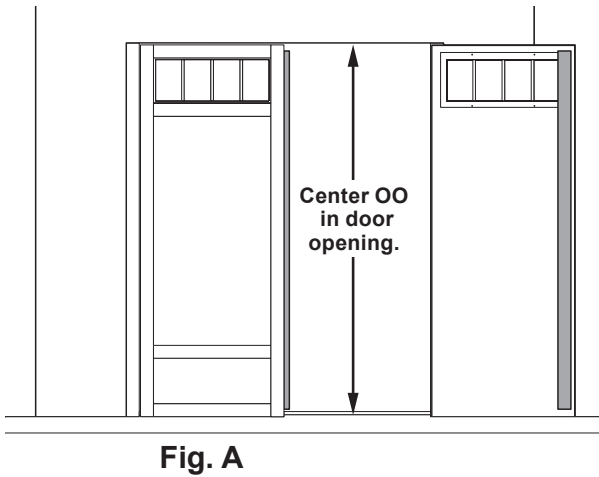
PARTS REQUIRED:

x2 **OO**
69" (175,3) Door Stiffener



✓ BEGIN

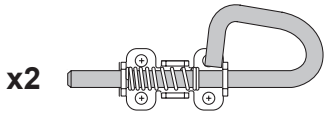
- 1 Center **OO**'s vertically on the left and right doors as shown (Fig. A, Fig. B).
Secure with (7) 2" screws through outside trim into **OO** (Fig. B).




Your door stiffeners are now installed.

DOOR HARDWARE

PARTS REQUIRED:



x8 
1" (2,5 cm)



✓ BEGIN

- 1 Place spring bolt on **OO** in open position with bolt end 3/8" down from frame. Bolt is open when loop is contacting base (**Fig A**).
Mark and pre-drill holes for screws.
- 2 Install bolt with screws supplied and drill 5/16" hole for bolt to extend into.
- 3 Place bolt on **OO** in open position with bolt end 1/2" up from floor. Bolt is open when loop is contacting base (**Fig B**).
Mark and pre-drill holes for screws.
- 4 Install bolt with screws supplied and drill 5/16" hole for bolt to extend into.

Fig. A

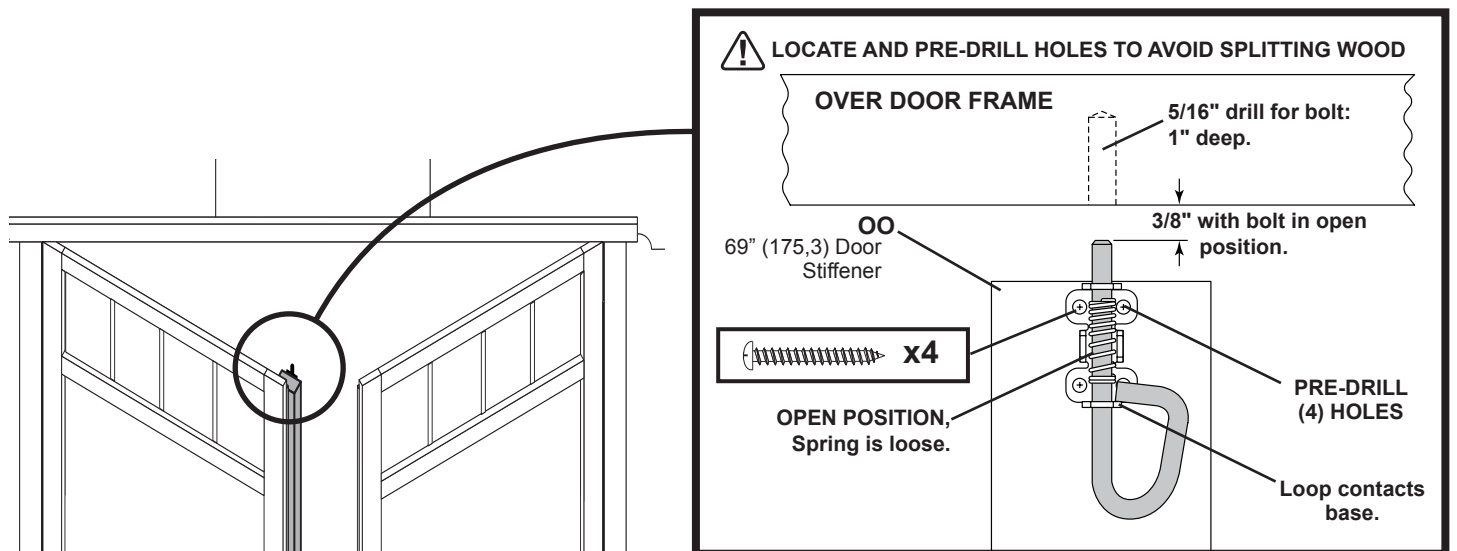


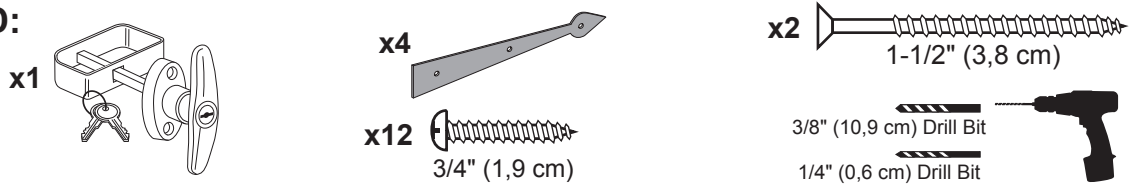
Fig. B



Your spring bolts are now installed.

DOOR HARDWARE / DECORATIVE HINGES

PARTS REQUIRED:

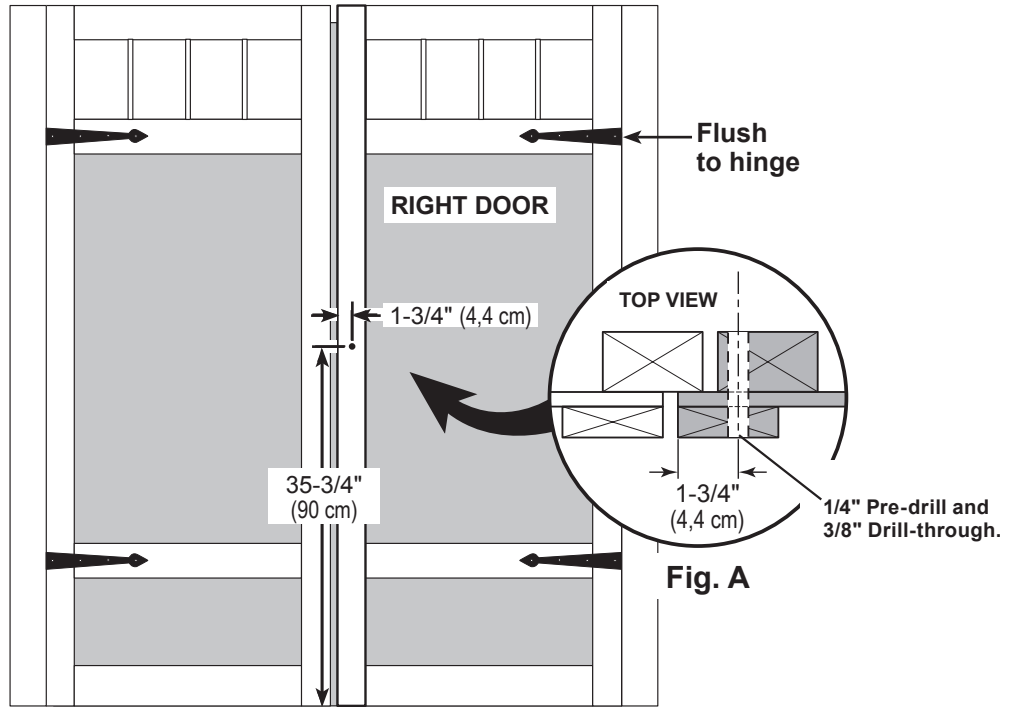


✓ BEGIN

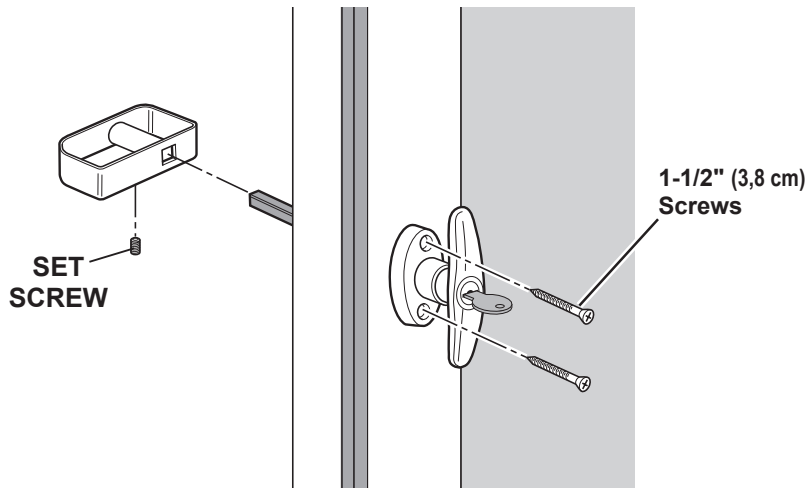
- 1 Measure and mark location of hole on outside of right door as shown (Fig. A).
Pre-drill hole with 1/4" drill.

Re-drill hole with 3/8" drill.

- Keep drilled hole square to trim to avoid breaking edge of door stiffener.





- 2 Insert handle in hole and secure with 1-1/4" screws.
- 3 Attach inside handle and secure with set screw as shown.
- 4 Install decorative hinges on horizontal trim and flush against hinge as shown.



Your T-handle and decorative hinges are now installed.

CORNER TRIM

PARTS REQUIRED:

- x4**  3/8 x 1-3/4 x 82-1/2" (1 x 4,4 x 209,6 cm)
- x4**  3/8 x 1-3/4 x 81-3/4" (1 x 4,4 x 207,6 cm)



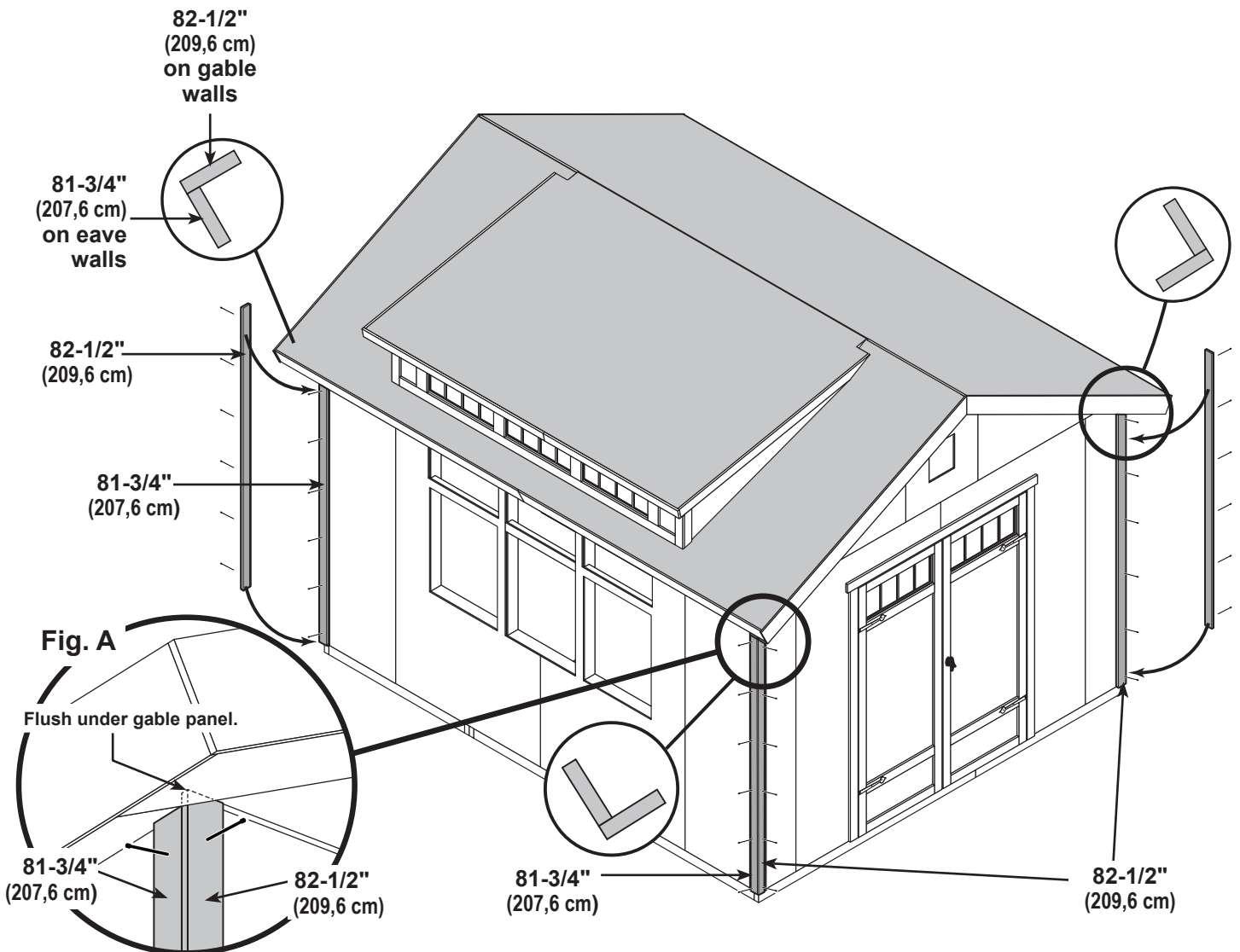
x48

2" (5,1 cm)

✓ BEGIN

- 1** Install (1) **81-3/4"** trim board flush under soffit panel and against eave wall with (1) 2" finishing nail at top as shown.
 - 2** Position **82-1/2"** trim board flush along edge of **81-3/4"** trim board and flush under gable panel. Secure with (1) 2" finishing nail at top as shown.
- Secure trim flush to corners (**Fig. A**) with (6) 2" finishing nails evenly spaced, as shown.

Repeat STEPS 1 - 2 to install trim at all (4) corners.



FINISH

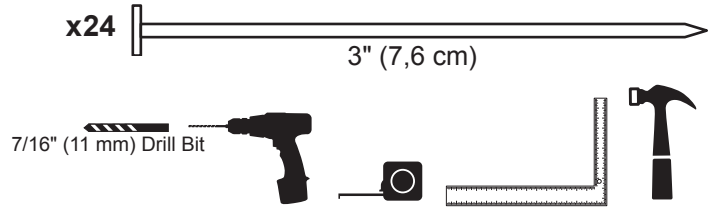
Your corner trim is now installed.

LOFT

PARTS REQUIRED:

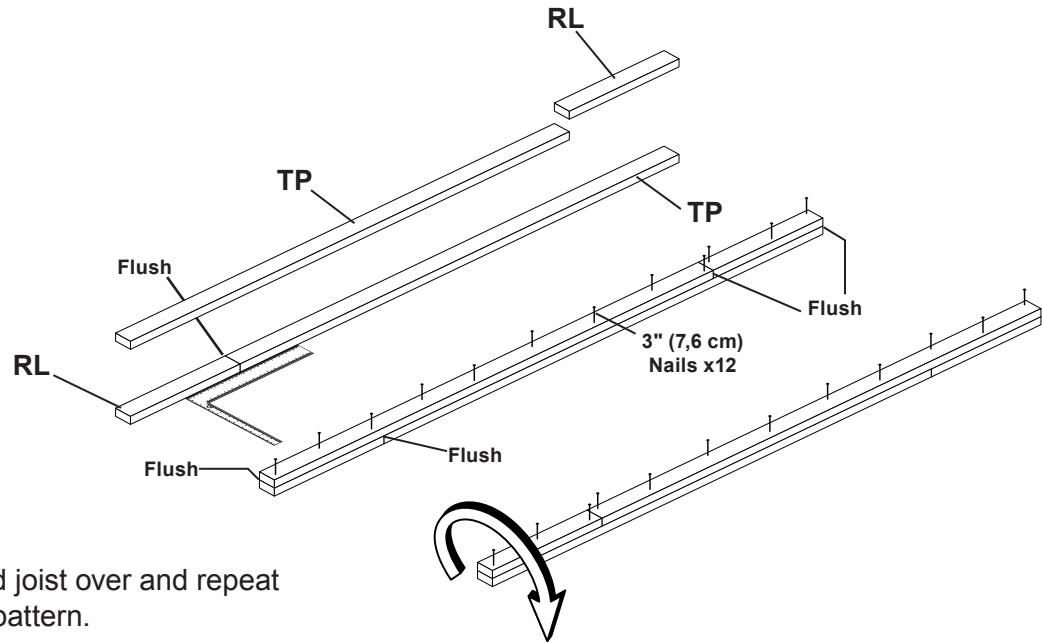
x2 **RL**
2 x 4 x 24" (5,1 x 10,2 x 61 cm)

x2 **TP**
2 x 4 x 96" (5,1 x 10,2 x 243,8 cm)

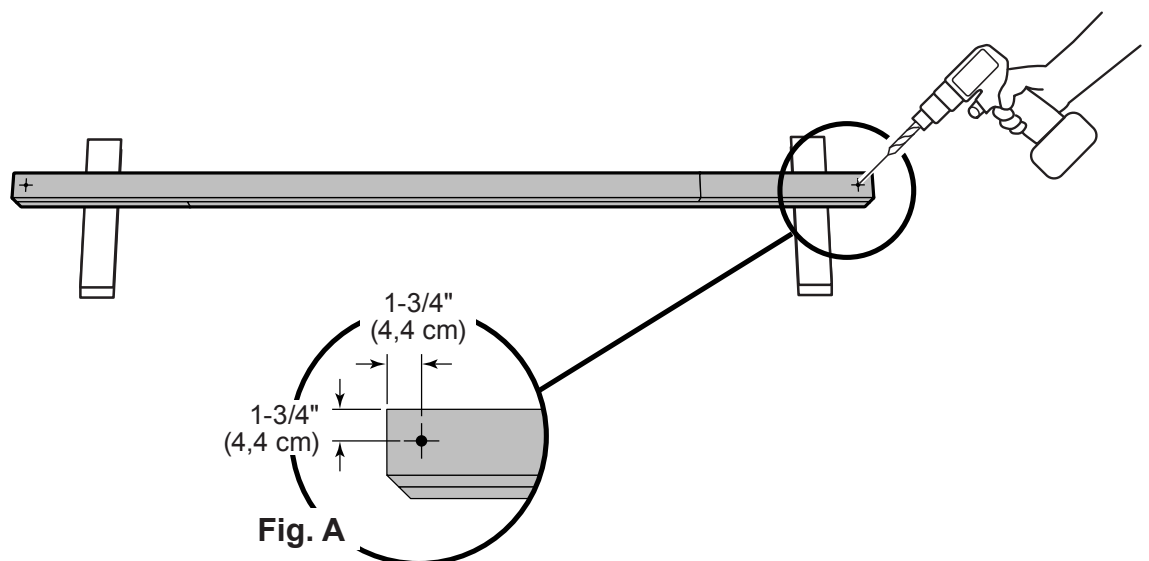


✓ BEGIN

- 1 Orient parts **TP** and **RL** on a flat surface. Hold parts **TP** and **RL** flush and aligned.
Assemble joist with 3" nails in a staggered pattern.



- 2 Support joist and drill a 7/16" hole through each end of each end as shown (**Fig. A**).



LOFT

PARTS REQUIRED:

x14 **RL**
2 x 4 x 24" (5,1 x 10,2 x 61 cm)

x1 **TP**
2 x 4 x 96" (5,1 x 10,2 x 243,8 cm)

x1 **Pre-Assembled Loft Joist**
2 x 4 x 119-7/8" (5,1 x 10,2 x 304,5 cm)

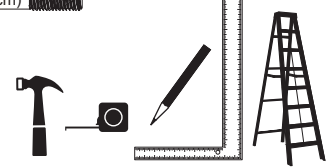
x14 3" (7,6 cm)

7/16" (11 mm) Drill Bit

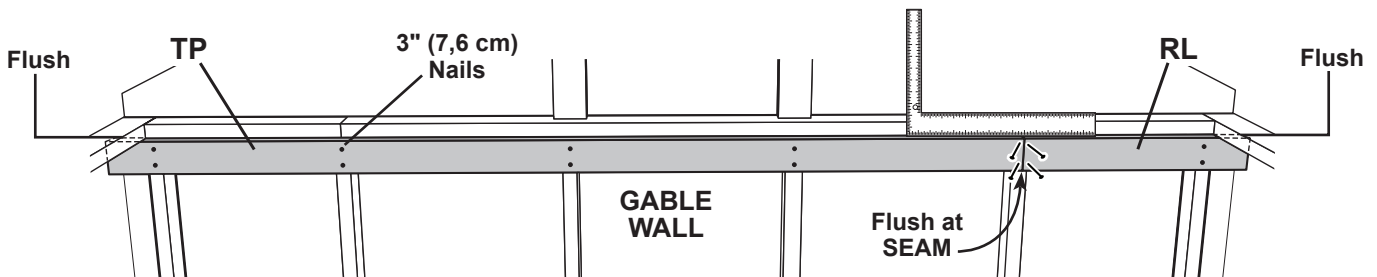
(NOT ACTUAL SIZE)
x2 3/8" x 5-1/2" (1 cm x 14 cm) Hex Bolt

x4 3/8" (1 cm) Flat Washer

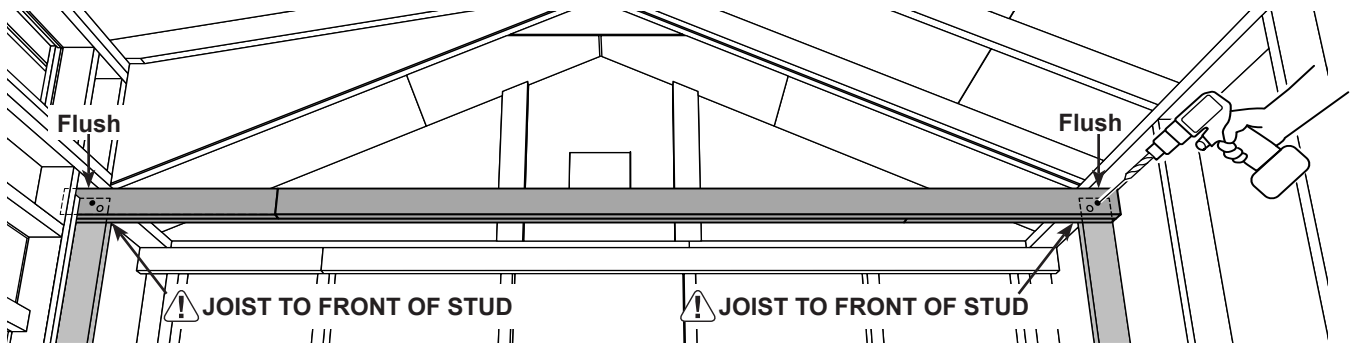
x2 3/8" (1 cm) Lock Nut



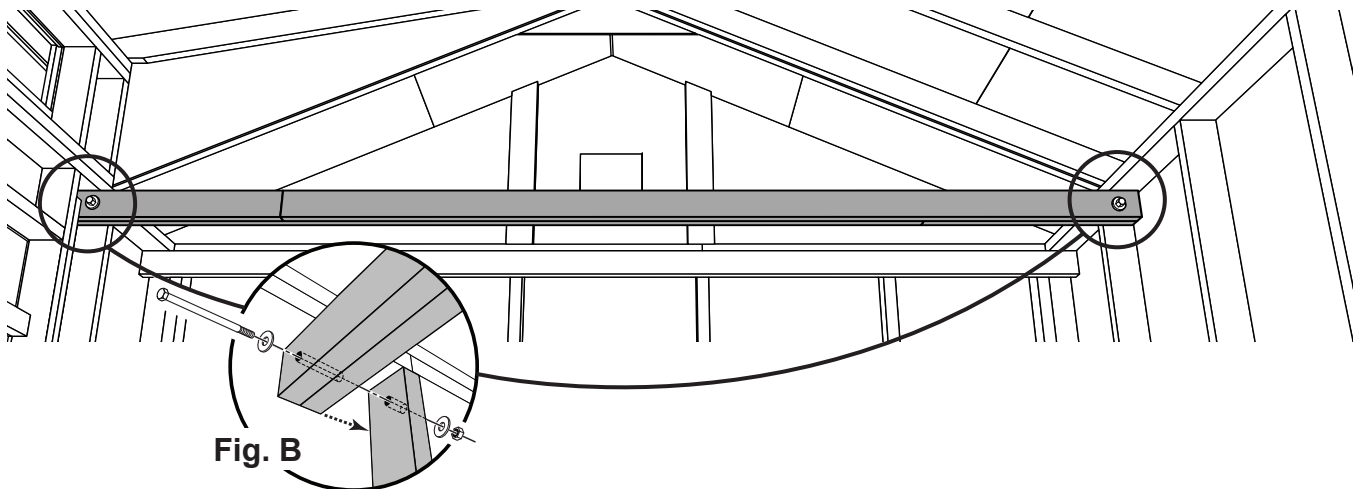
- 3 Locate **TP** and **RL** flush to bottom of top plate and aligned at seam. Secure with 3" (7,6 cm) nails at wall studs and seam.



- 4 Clamp or hold **Pre-Assembled Loft Joist** in place flush against 1st studs from back wall. Ensure **Pre-Assembled Loft Joist** is flush beneath top plates. Drill through wall stud with 7/16" drill bit using hole in **Pre-Assembled Loft Joist** as a guide.

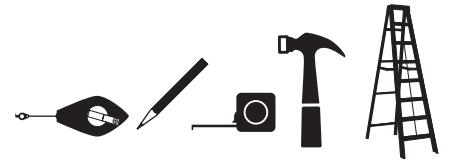
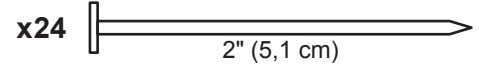
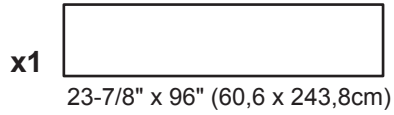


- 5 Line up holes of **Pre-Assembled Loft Joist** with holes in crippler and stud. Secure joist with hex bolts, flat washers and lock nuts at both sides (**Fig. B**). Tighten lock nuts securely.

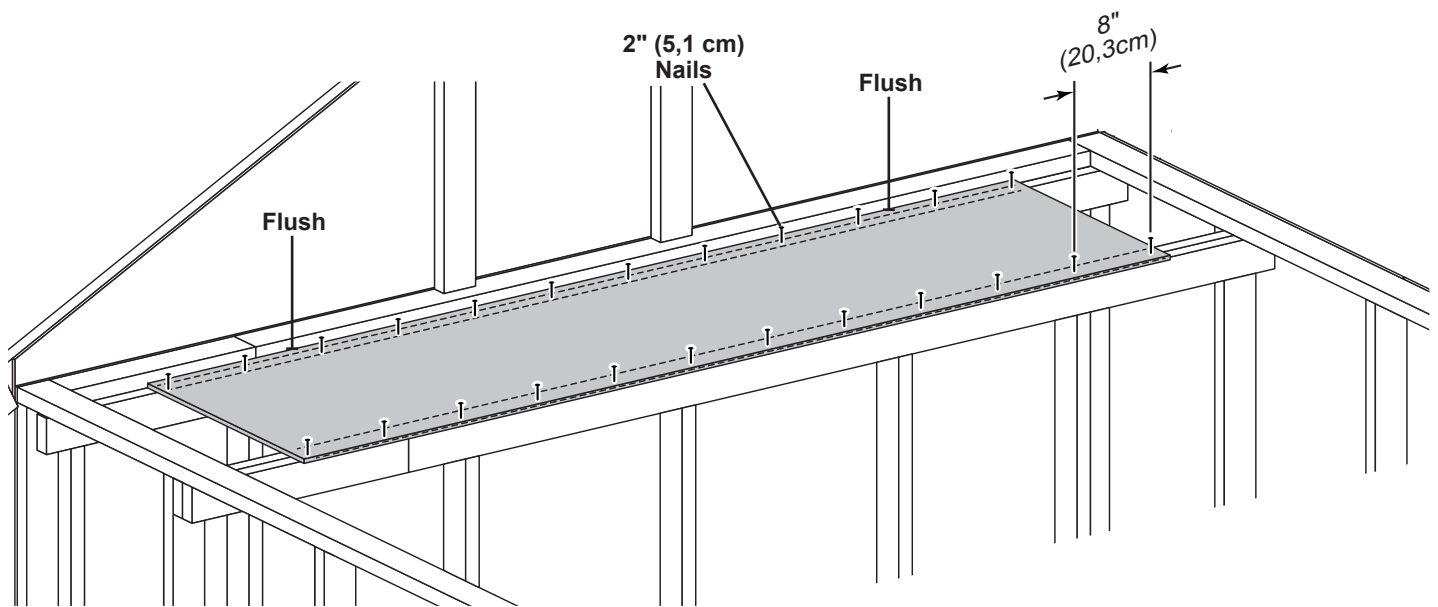


LOFT

PARTS REQUIRED:



- 6** Install loft panel centered over loft joists. Secure with 2" (5,1 cm) nails 8" (20,3 cm) apart. There will be a gap of approximately 8-1/2" on either side.



Attention:
Load not to exceed
400 lbs (181 kg) evenly
distributed across loft.



You have finished installing your Loft.

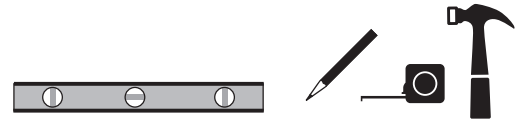
SHELF

PARTS REQUIRED:

x6 **PHA**
2 x 3 x 6-5/8" (5,1 x 7,6 x 16,8 cm)

x6
3/8 x 7-1/2 x 10-1/8" (1 x 19,1 x 25,7 cm)

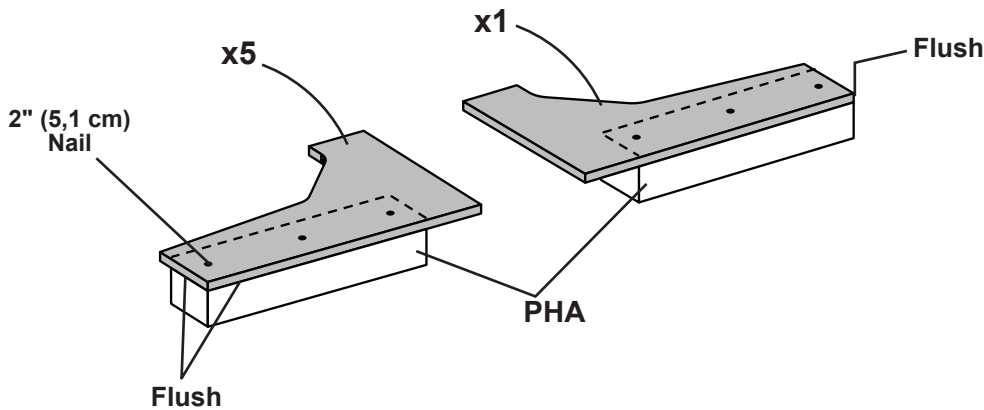
x36
2" (5,1 cm)



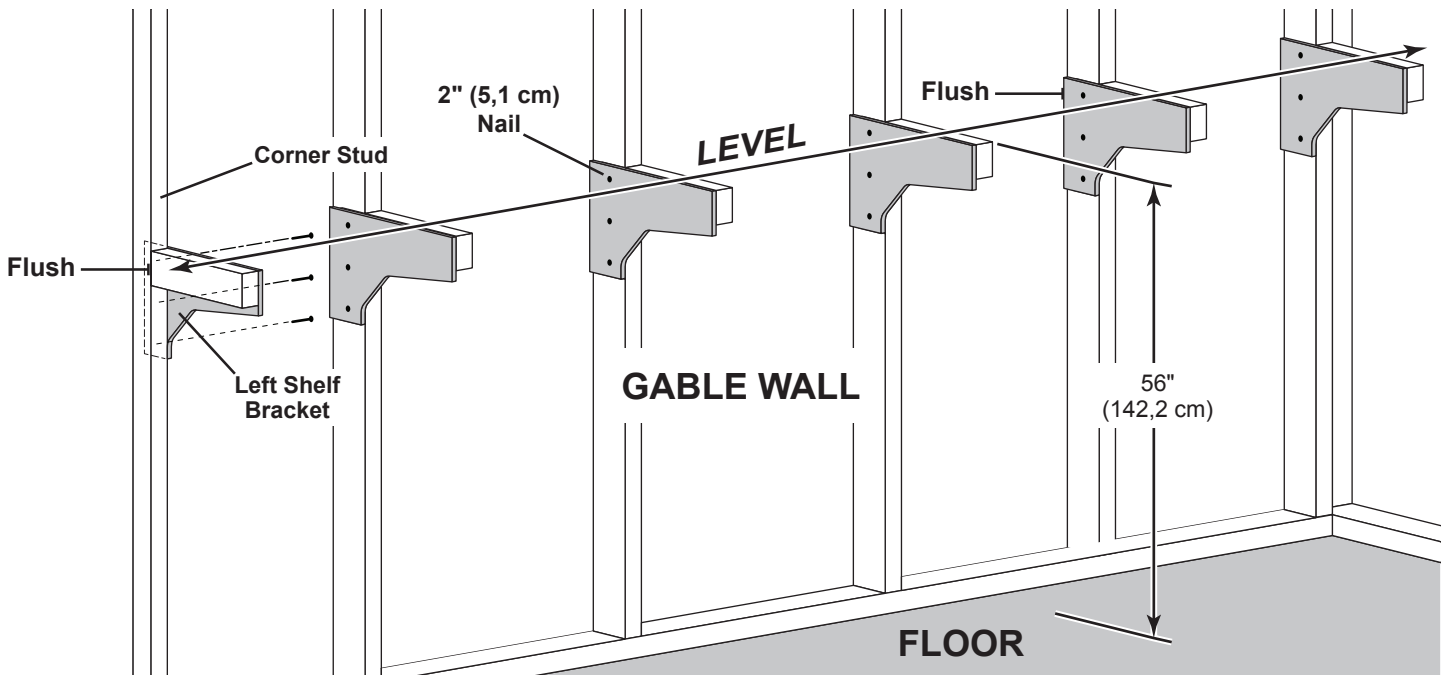
NOTE: Install the bench, shelf and loft on the gable wall farthest from the door location.

✓ **BEGIN**

- 1 Secure **PHA** to bracket panels with (3) 2" (5,1 cm) nails.
Assemble 6 shelf supports as shown; 5 right-side, 1 left-side.

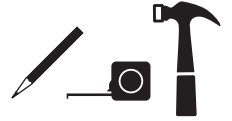
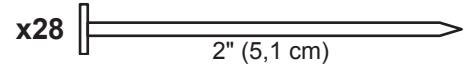
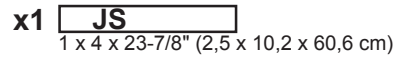
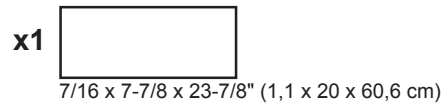
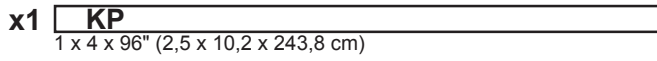
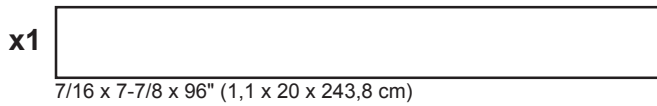


- 2 Secure shelf supports at shown height with (3) 2" (5,1 cm) nails.

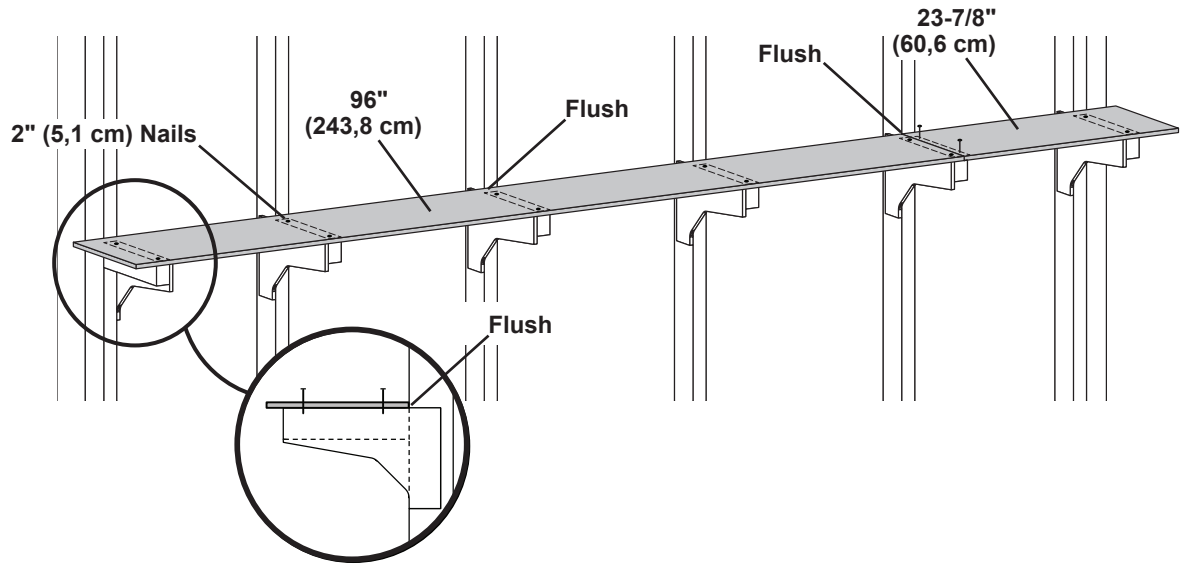


SHELF

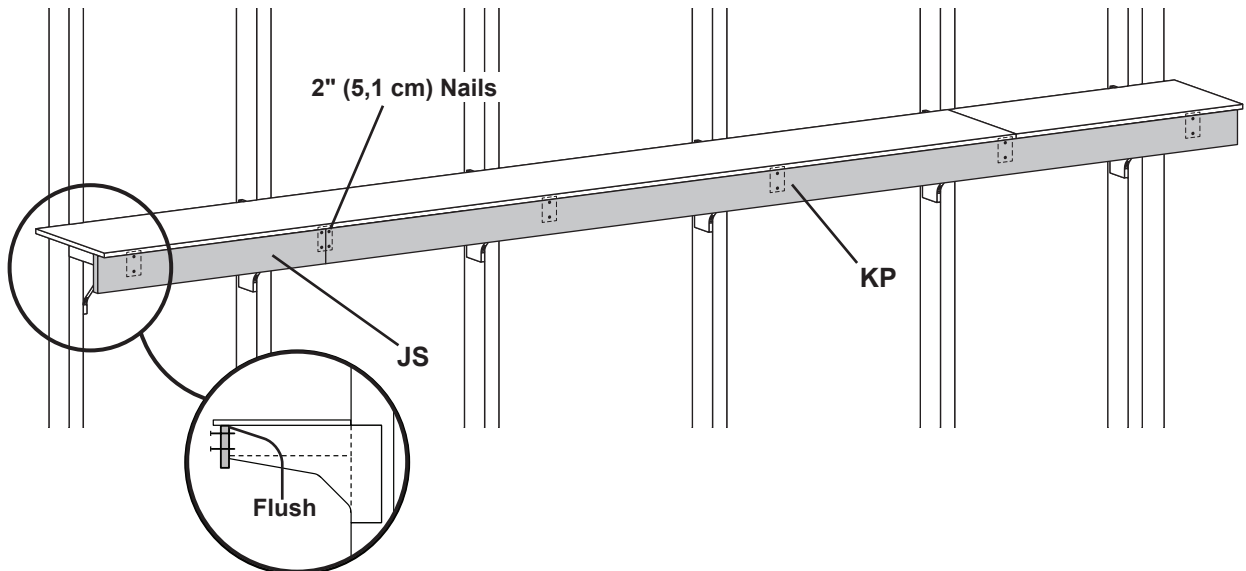
PARTS REQUIRED:



- 3** Install shelf panels centered over shelf supports. Secure with 2" (5,1 cm) nails at each support.



- 4** Secure **KP** and **JS** with 2" (5,1 cm) nails at each support as shown.



You have finished installing your shelves.

WORK BENCH

PARTS REQUIRED:

x6 **LMA**
2 x 3 x 18-3/4"
(5,1 x 7,6 x 47,6 cm)

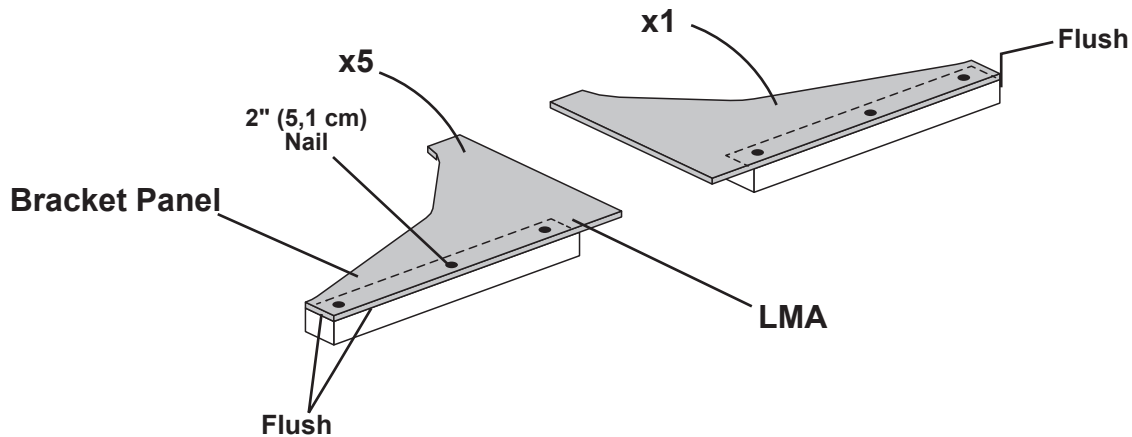
x6
3/8 x 14-1/4 x 22-1/4" (1 x 36,2 x 56,5 cm)

x36
2" (5,1 cm)

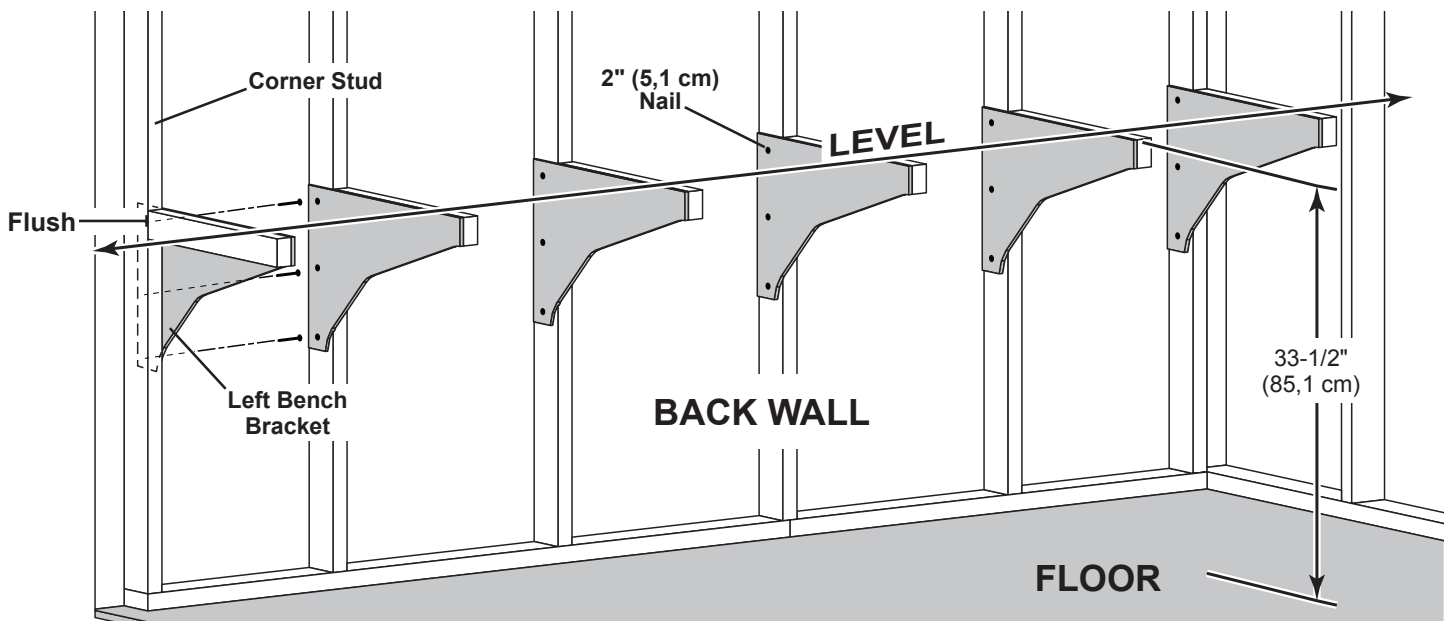


✓ **BEGIN**

- 1 Secure **LMA** to bracket panels with (3) 2" nails.
Assemble 6 shelf supports as shown; 5 right-side, 1 left-side.

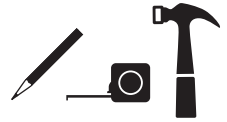
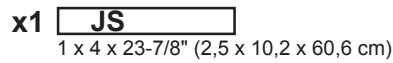
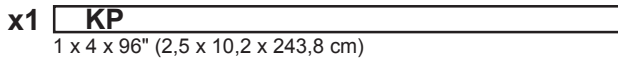
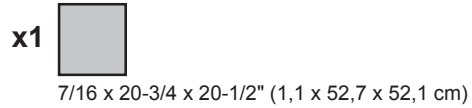
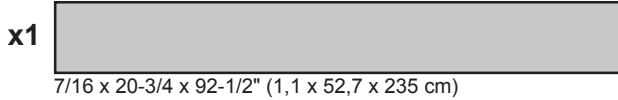
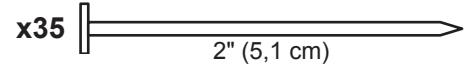


- 2 Secure work bench supports at shown height with (3) 2" (5,1 cm) nails.

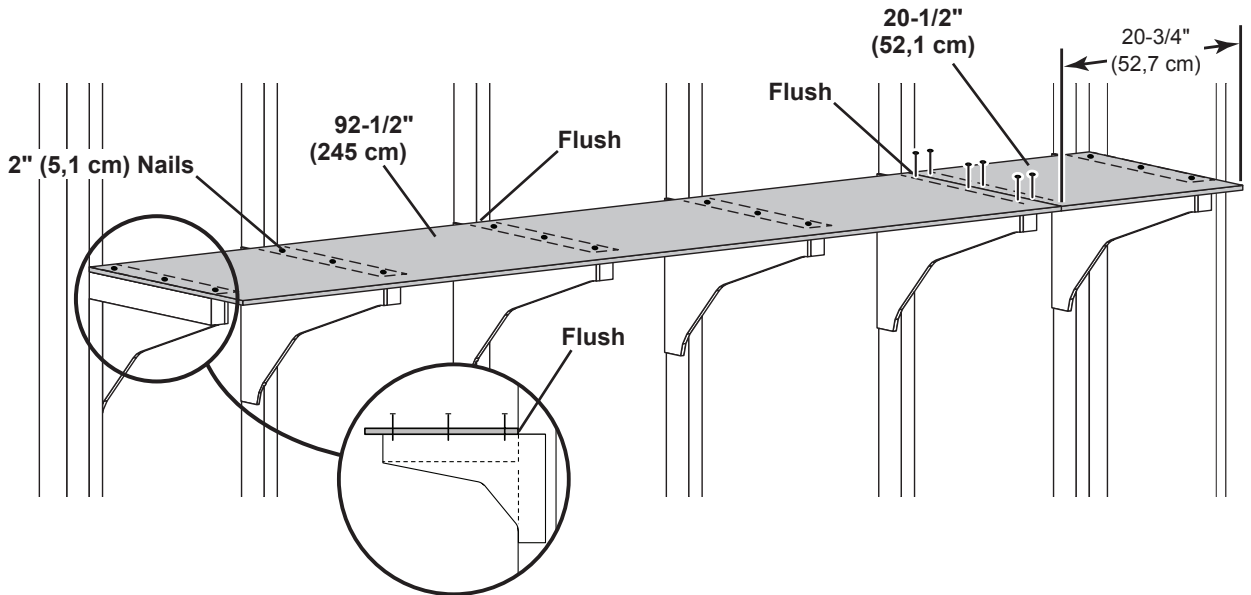


WORK BENCH

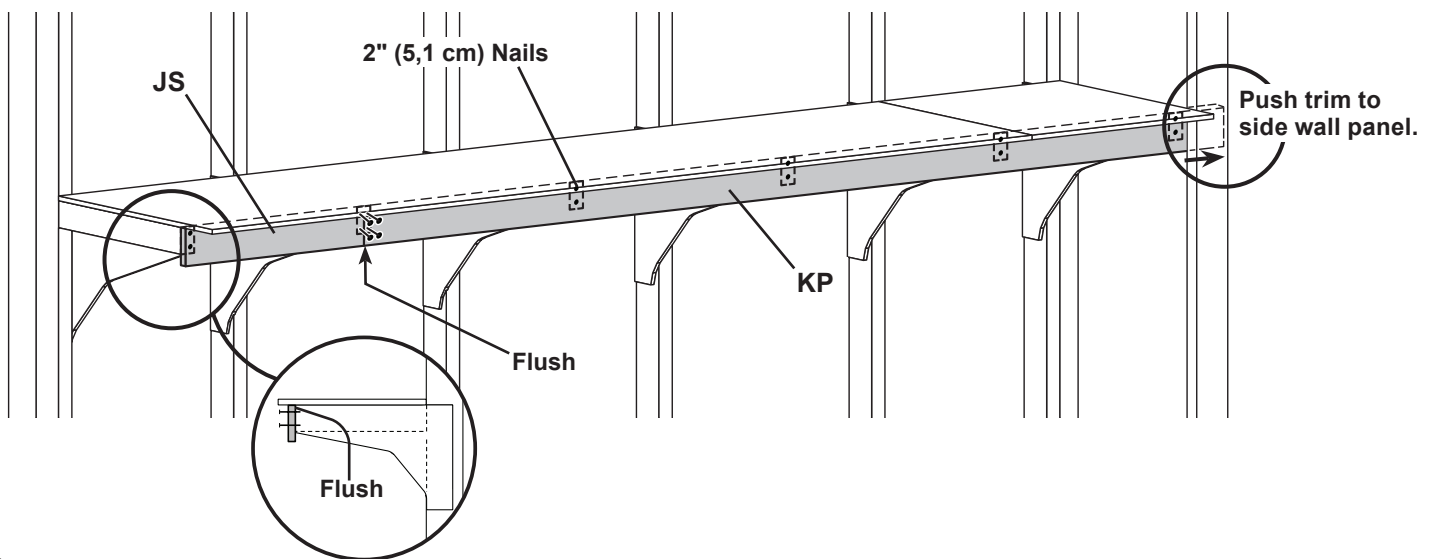
PARTS REQUIRED:



3 Install work bench panels centered over bench supports. Secure with 2" (5,1 cm) nails at each support.



4 Secure **KP** and **JS** with 2" (5,1 cm) nails at each support as shown.




Your work bench is now installed.

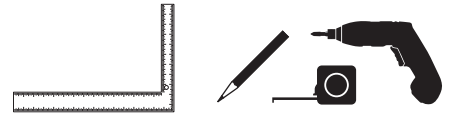
SHUTTERS ASSEMBLY

PARTS REQUIRED:

x2 **EHT**
 19/32 x 3-1/2 x 11-3/8" (1,5 x 8,9 x 28,9 cm)

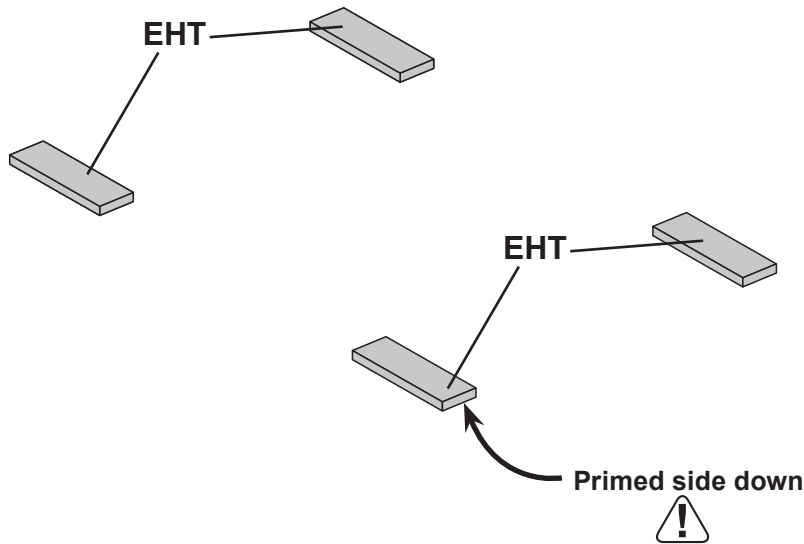
x6 **RGD**
 19/32 x 3-1/2 x 41-1/2" (1,5 x 8,9 x 105,4 cm)

x12 
 1" (2,5 cm)

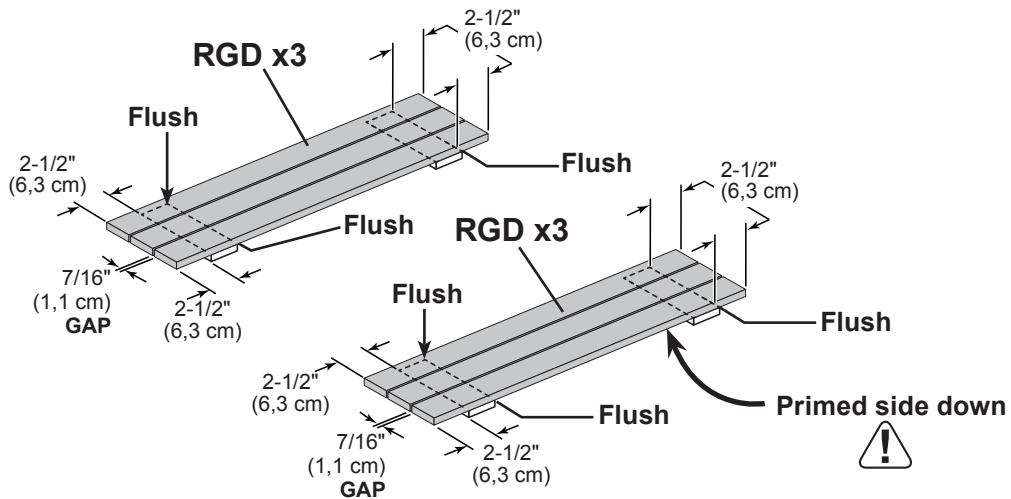


✓ BEGIN

1 Position shutter parts **EHT** primed side down on floor as shown.



2 Fasten slats **RGD** to **EHT** with 1" screws. Allow 7/16" (1,1 cm) gap between **RGD**.

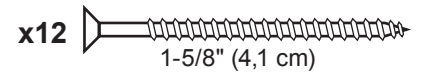
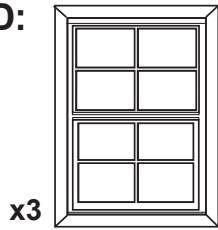


FINISH

Your (2) window shutters are assembled.

LARGE WINDOWS

PARTS REQUIRED:



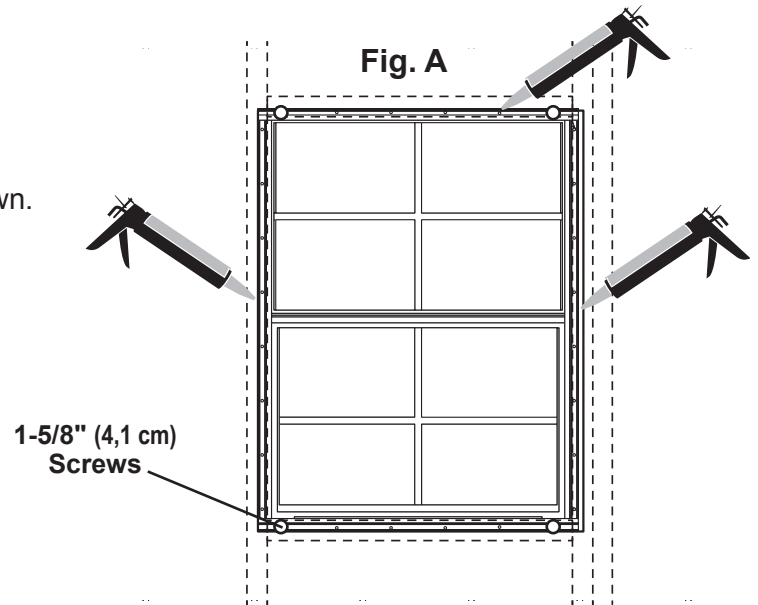
✓ BEGIN

- 1 Place window in center of window cutout as shown.

Seal window by caulking behind frame with high-quality exterior-grade caulk before installing.

Secure window with (4) 1-5/8" screws as shown. Ensure window is level.

Repeat to install (2) more large windows.



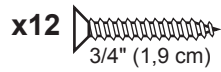
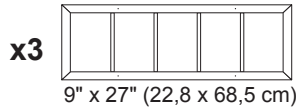
You must caulk around windows to validate your warranty.



Your large windows are now installed.

TRANSOM WINDOWS

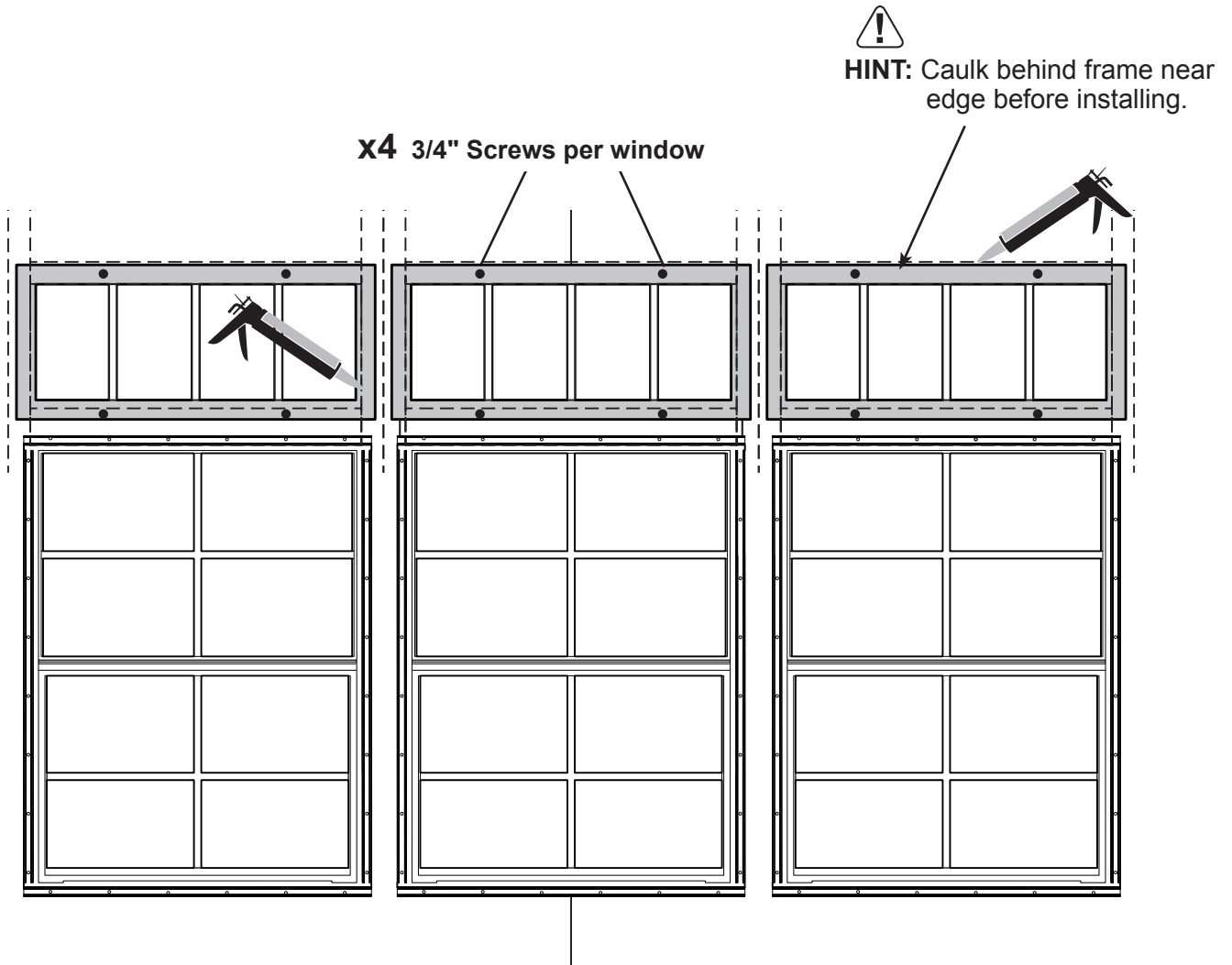
PARTS REQUIRED:



✓ **BEGIN**

1 Seal windows with high-quality exterior-grade caulk before installing.

Secure windows with 3/4" screws as shown.



 **You must caulk around windows to validate your warranty.**



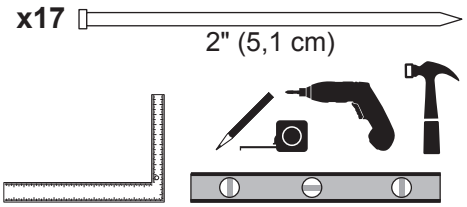
Your transom windows are now installed.

WINDOW TRIM

PARTS REQUIRED:

x2 **RGD**
19/32 x 3-1/2 x 41-1/2" (1,5 x 8,9 x 105,4 cm)

x1 **RNA**
19/32 x 3-1/2 x 77-1/4" (1,5 x 8,9 x 196,2 cm)

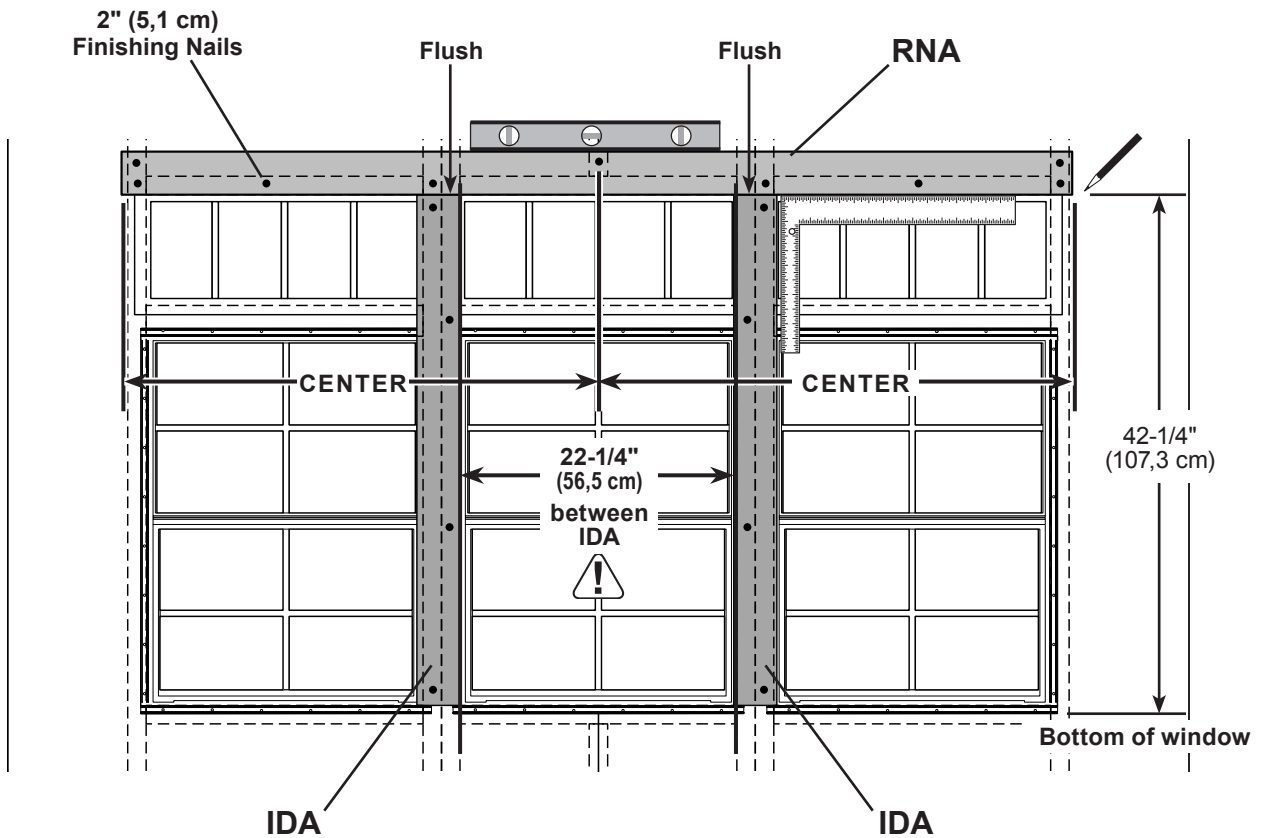


 **Install all window trim parts with primed side facing out.**
Do not nail in metal window frames.

✓ **BEGIN**

1 Measure up from bottom edge of lower window and mark, as shown.
Align **RNA** to mark and install level and centered over windows.
Secure with 2" finishing nails into wall framing.

2 Install (2) **IDA** flush to **RNA** and with 22-1/4" (56,5 cm) between parts **IDA**, as shown.
Secure with 2" finishing nails.




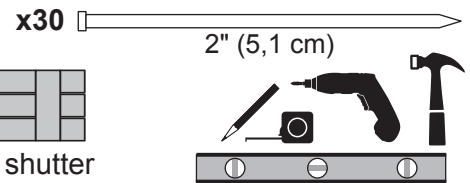
WINDOW TRIM & SHUTTERS

PARTS REQUIRED:

x3 **FF** 19/32 x 2-1/2 x 22-1/4" (5,1 x 6,3 x 56,5 cm)

x1 **RNA** 19/32 x 3-1/2 x 77-1/4" (1,5 x 8,9 x 196,2 cm)

x2  Pre-assembled shutter



3 Install (3) **FF** centered and level between windows, flush to **IDA**.
Secure with 2" finishing nails into wall framing.

4 Install bottom trim **RNA**. Secure with 2" finishing nails.

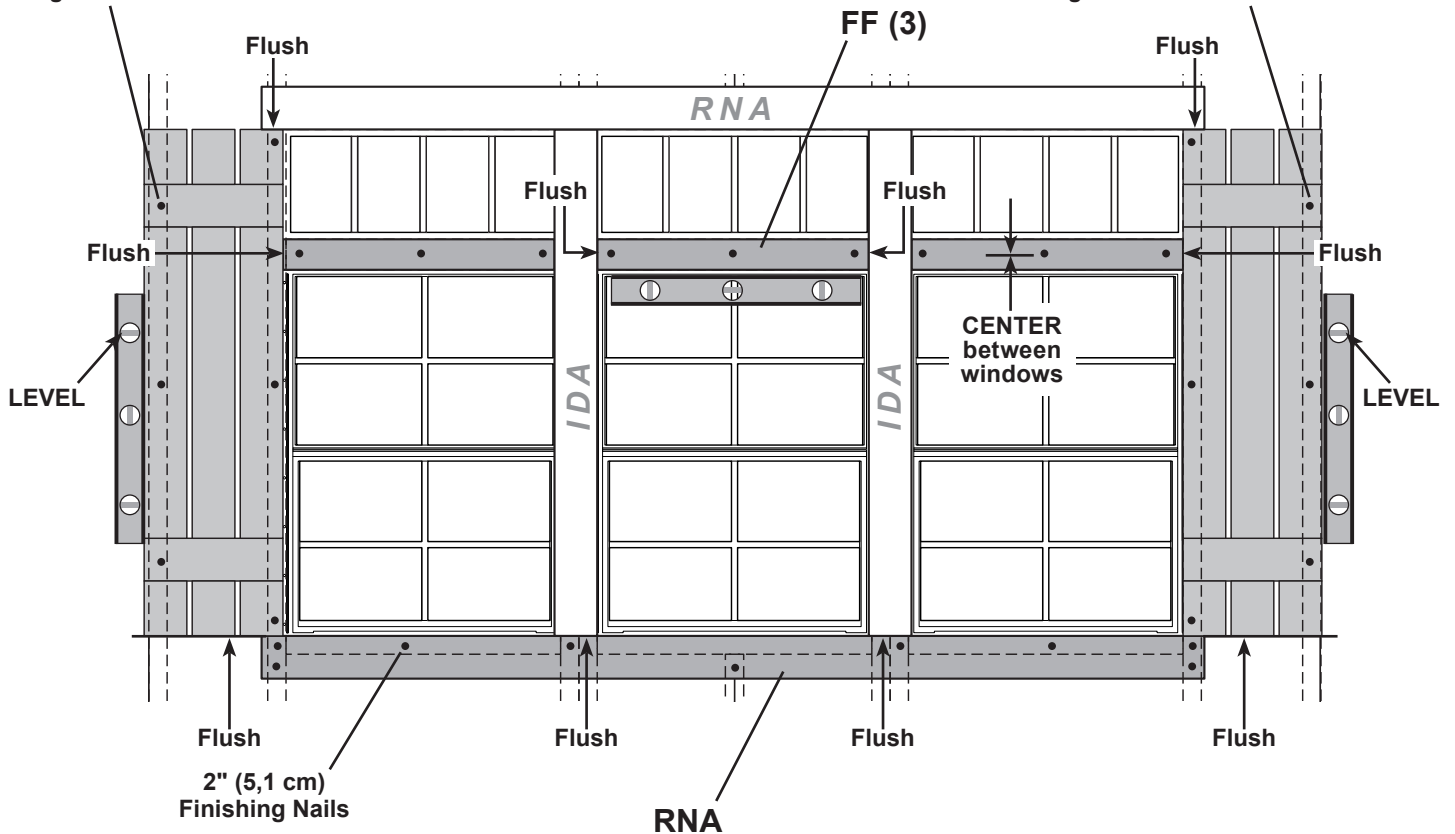
Install (2) shutters flush to **RNA** and flush to **FF** as shown.

Secure with 2" finishing nails into wall framing.

* Secure outside edge of shutters with 2" finishing nails angled into the wall studs.

2" (5,1 cm) Finishing Nails

*Angle outside nails in wall stud.




Your window trim and shutters are now installed.

GABLE VENTS

PARTS REQUIRED:



x8 
1" (2,5 cm)

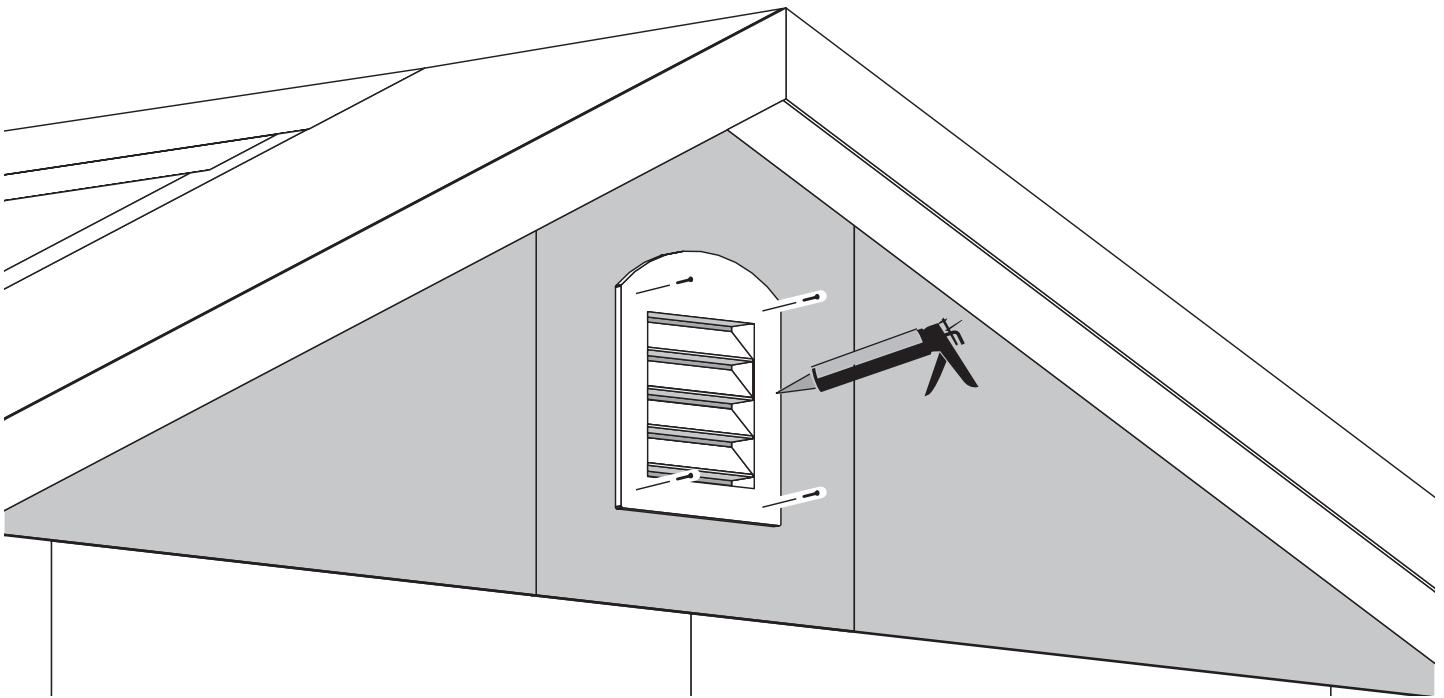


✓ **BEGIN**

1 Install (1) vent in each gable.

Caulk behind vent flanges.

Secure with 1" screws.



Your gable vents are installed.

PAINT & CAULK

- NOT INCLUDED -



- Use acrylic latex caulk that is paintable. Caulk at all horizontal and vertical seams, between the trim and walls, and all around the door trim.
- Use a high quality exterior acrylic latex paint. When painting your building, there are a few key areas that can be easily overlooked that must be painted:
 - Bottom edge of all siding and trim
 - Inside of doors and all 4 edges

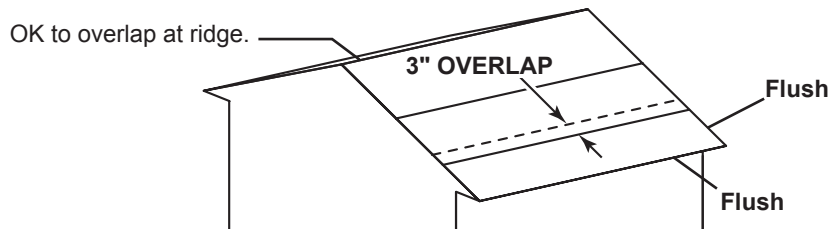
Note:

Prime all un-primed exterior wood before painting.
(Follow directions provided by manufacturer.)

ROOF FELT

- NOT INCLUDED -

- Install felt flush to all roof edges overlapping 3". Use minimal amount of roofing nails to hold in place.

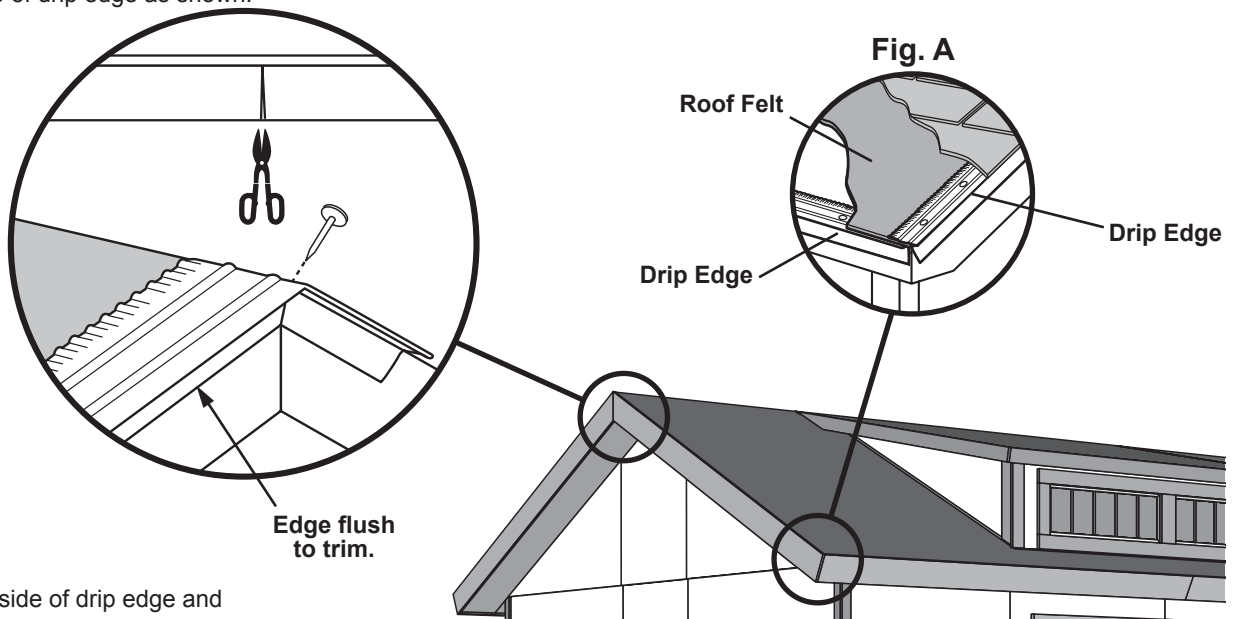


DRIP EDGE

- NOT INCLUDED -



- Install drip edge over roof felt on gable side and under roof felt on eave side (**Fig. A**).
- Do not use nails on side of drip edge that hangs over side of building.
- Only nail top of drip edge as shown.



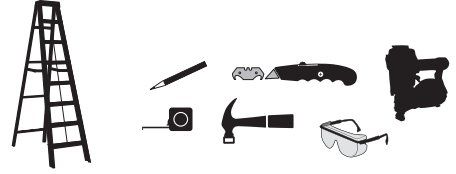
Snip bottom side of drip edge and bend over to other side of roof.

(Follow directions provided by manufacturer.)

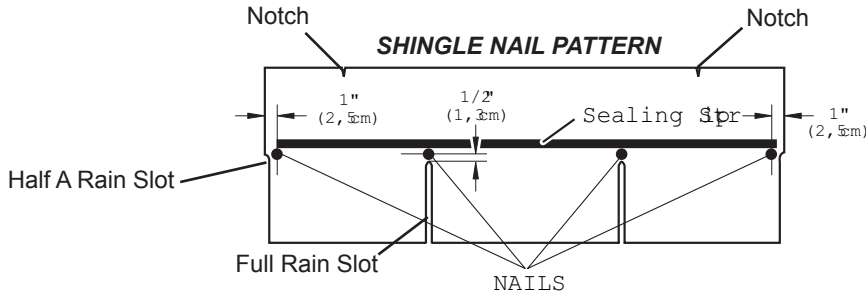
SHINGLES

- NOT INCLUDED -

• Follow directions provided by manufacturer and these instructions.



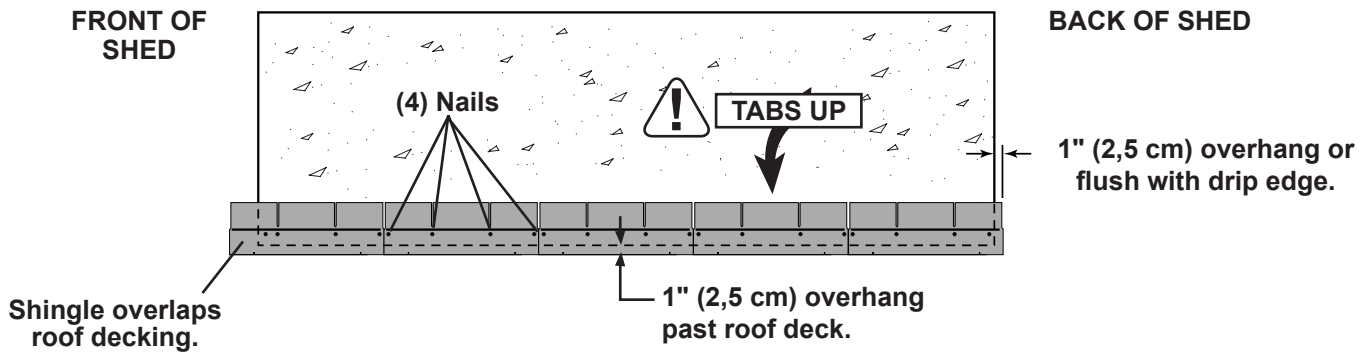
! Familiarize yourself with a 3-Tab Shingle.



! NEVER DRIVE FASTENERS INTO OR ABOVE SEALING STRIPS.

✓ BEGIN

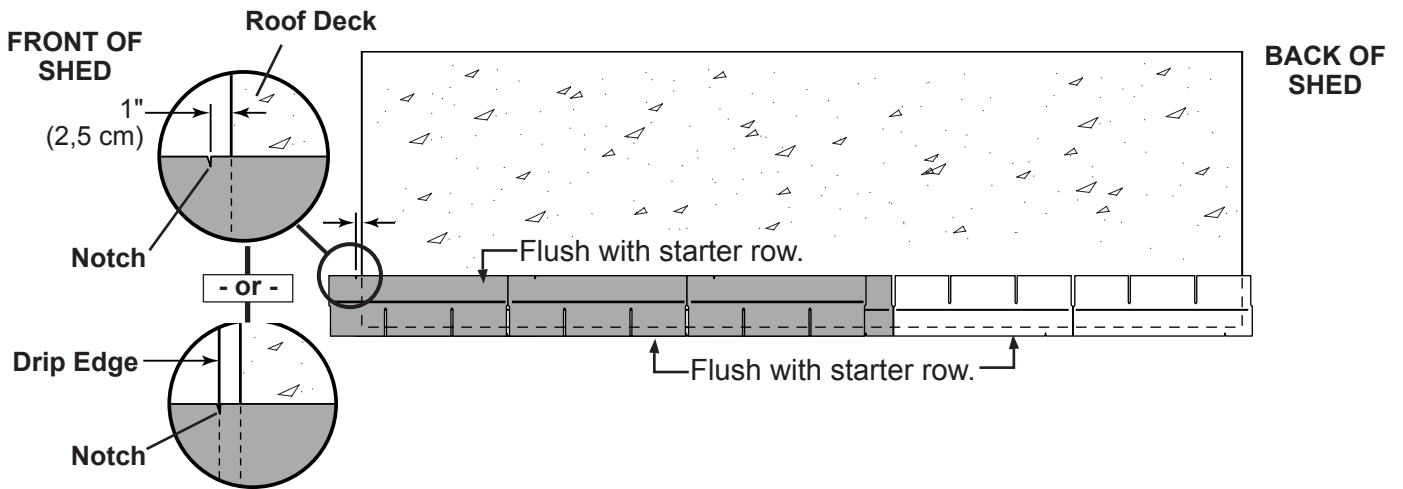
- 1 Install first starter row upside down and color up with a 1" overhang at back and bottom of roof panel. Use (4) nails per shingle. **Starter row must be straight and level all the way across with lower edge of roof deck.**
NOTE: If you have installed drip edge install shingles flush to drip edge.



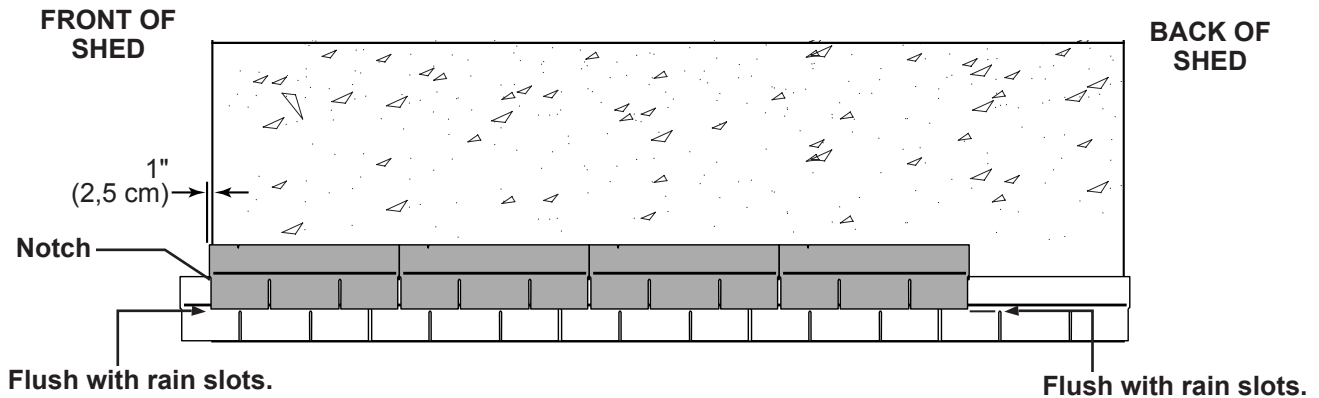
SHINGLES

continued...

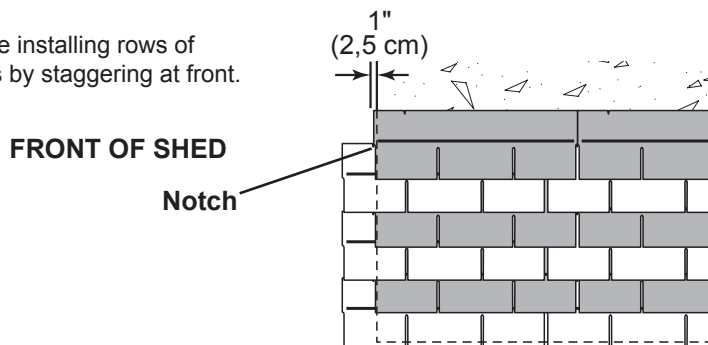
- 2 Beginning at front of shed, install first row of shingles with notch at 1" past roof edge or flush with drip edge.



- 3 Install second row of shingles flush at top of first row's rain slots. Ensure 1" overhang or flush to drip edge at front, stagger each row.



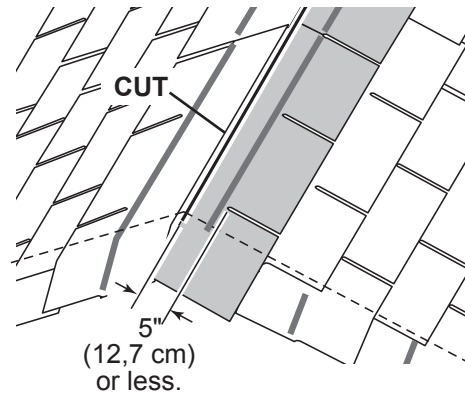
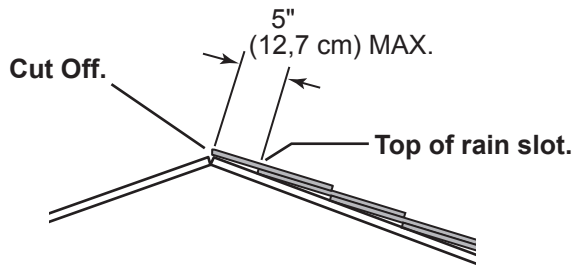
- 4 Continue installing rows of shingles by staggering at front.



SHINGLES

continued...

- 5** Continue installing rows of shingles to the peak. At the peak make sure there is a maximum of 5" or less to the rain slot, as shown below. If shingles overlap at ridge cut to peak with a utility knife.

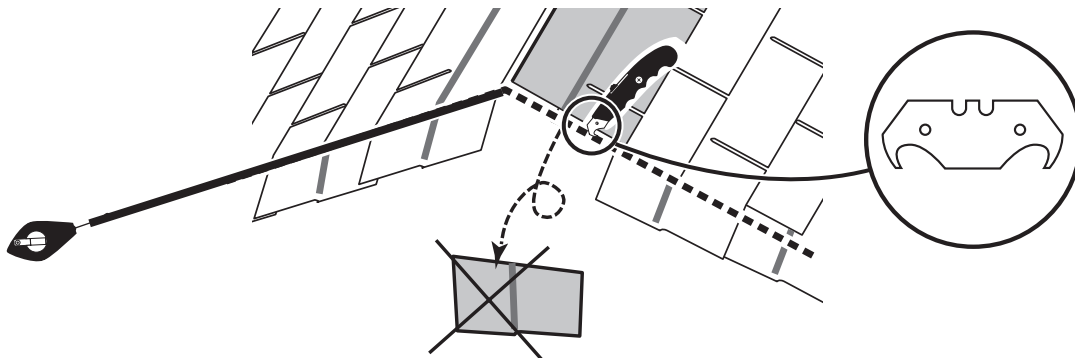


- !** • If more than 5" to rain slot you must install another row of shingles.

- 6** Repeat STEPS 1 - 5 to shingle the opposite side of your roof. Trim shingles at ridge.

- 7** Once both sides are shingled you need to trim ends. Strike a chalk line 1" from edge.

- 8** Using your shingle hooked blade carefully cut shingles along chalk line.

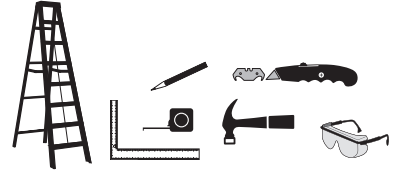


You have finished shingling your roof. Proceed to capping the ridge.

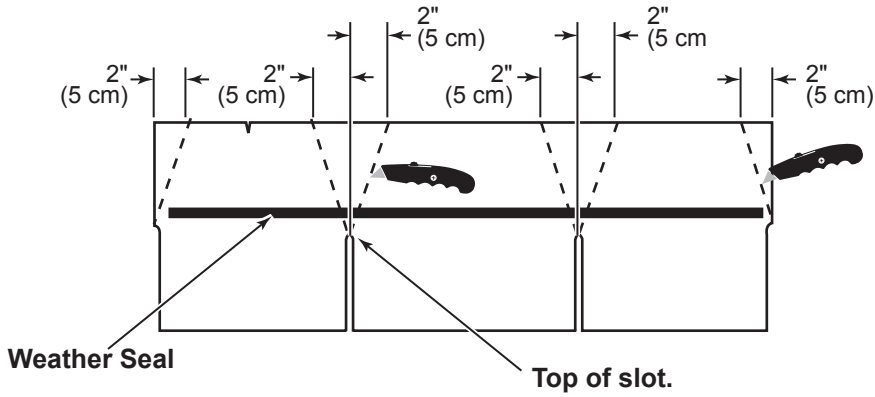
SHINGLES - RIDGE CAP

• You will finish off the top of the roof with a ridge cap made from shingles.

✓ **BEGIN**

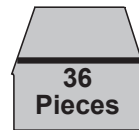


1 Cut shingles into (3) pieces. **Hint:** Use cut-off pieces first.

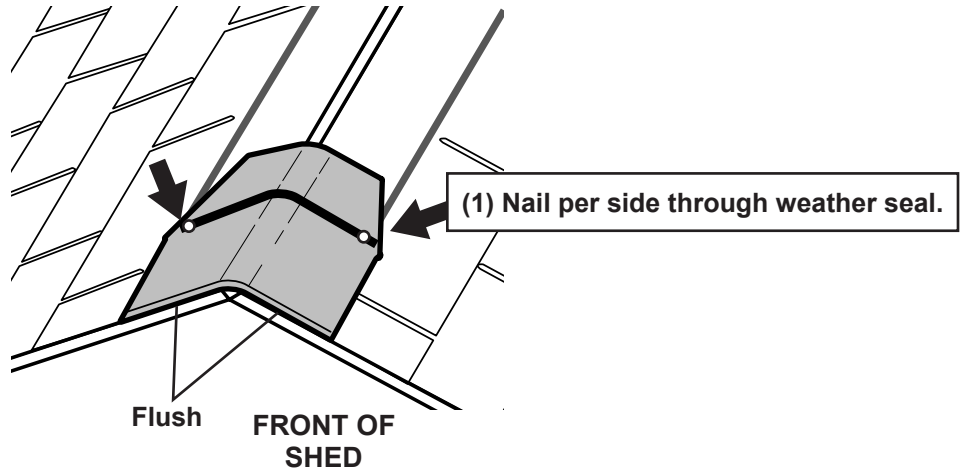


Score shingle, then snap-off angled cut.

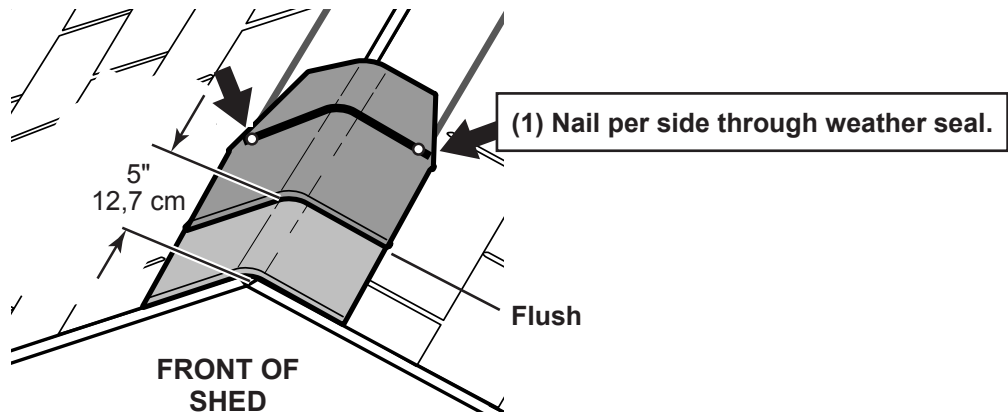
Note: • You will need about 36 cut pieces.



2 Install first ridge cap flush to shingles at front, as shown.



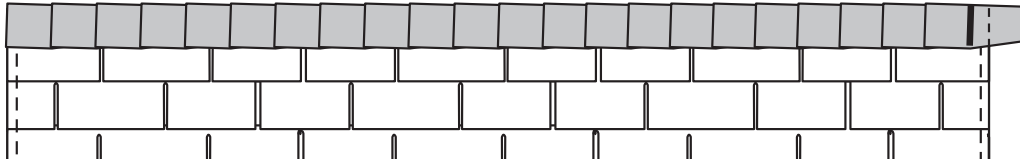
3 Install second ridge cap 5" back, as shown.



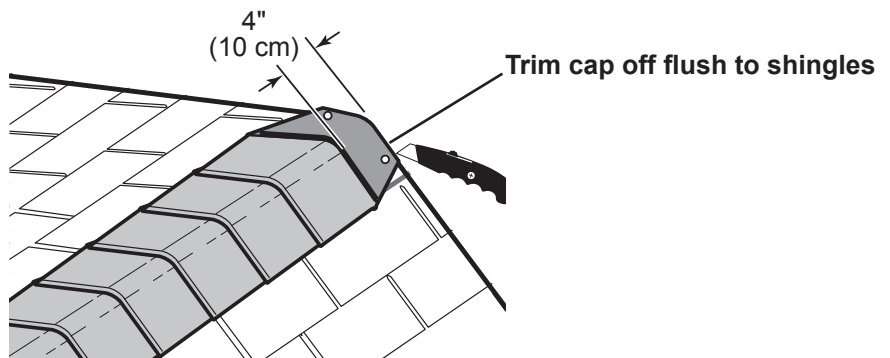
SHINGLES - RIDGE CAP

continued...

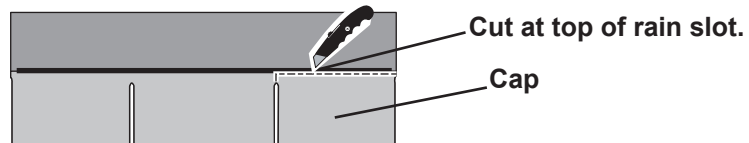
4 Continue installing ridge cap to back of roof.



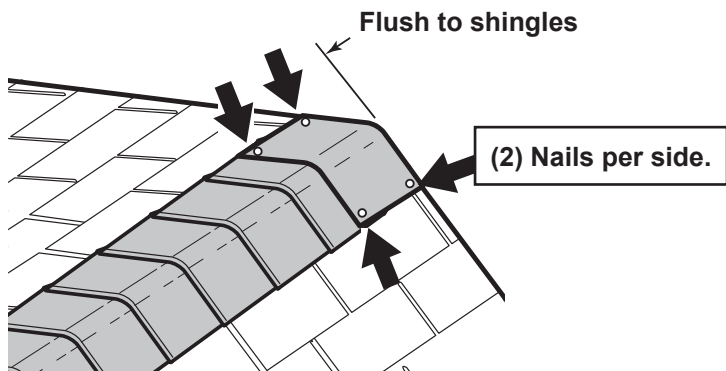
5 Make sure there is 4" between the shingle-color and edge of shingles.



6 When you have 4" minimum of shingle color cut (1) piece to cap your roof.



7 Install flush to shingles.



You have finished your ridge cap.

LIMITED CONDITIONAL WARRANTY*

Backyard Storage Solutions, LLC warrants the following:

1. Every product is warranted from defects in workmanship and manufacturing for 1 year.
2. All accessories, hardware and metal components are warranted for 2 years.
3. All Oriented Strand Board (OSB) is warranted for 2 years
4. Siding and Trim is warranted for 10 years.
5. Solar Shed windows are warranted for 1 year.
6. Cedar lumber is warranted for 15 years.
7. Preserved Pine is warranted for 10 years.
8. Redwood is warranted for 10 years.

Backyard Storage Solutions, LLC will repair, replace or pay for the affected part. In no event shall Backyard Storage Solutions, LLC pay the cost of labor or installation or any other costs related thereto. All warranties are from date of purchase. If a cash refund is paid on an affected part, it will be prorated from the date of purchase.

CONDITIONS

The warranty is effective only when:

1. The unit has been erected in accordance with the assembly instructions.
2. The unit has been properly shingled and painted or stained and reasonably and regularly maintained thereafter.
3. The failure occurs when the unit is owned by the original purchaser.
4. Backyard Storage Solutions, LLC has received the warranty registration card within thirty (30) days of purchase and notification of the failure in writing within the warranty period specified above.
5. Backyard Storage Solutions, LLC has had reasonable opportunity during the sixty (60) days following receipt of notification to inspect and verify the failure prior to commencement of any repair work.

REQUIREMENTS

Storage Buildings

To validate your warranty, it is necessary to properly maintain your Backyard Storage Solutions, LLC unit; shingle the roof and paint or solid-colored stain the siding using quality, 100% acrylic latex exterior product with a minimum of two (2) coats within thirty (30) days of assembly; caulk above all doors and all horizontal and vertical trim boards; paint and seal all exposed edges, sides and faces of siding/trim and OSB siding to include all exterior walls and all sides and all edges of doors.

Gazebos & Pergolas

To validate your warranty, it is necessary to properly maintain your Backyard Storage Solutions, LLC unit. This includes treating all of the exposed cedar and pine surfaces on your gazebo or pergola structure with an exterior grade wood preservative, an exterior oil-based semi-transparent stain, an acrylic latex exterior paint or an acrylic latex solid color exterior stain within 30 days of assembly and as needed thereafter to maintain your warranty.

Keep vegetation trimmed away from building and make sure siding panels and trim do not come in contact with masonry or cement. The minimum ground clearance for siding must be one half inch ($\frac{1}{2}$ inch) from concrete slab or two and one half inches ($2\frac{1}{2}$ ") from the ground when building is erected or constructed on a treated wood floor kit. Water from sprinklers must be kept off unit. In no event will Backyard Storage Solutions, LLC be responsible for any indirect, incidental, consequential or special damages nor for failure(s) that are caused by events, acts or omissions beyond our control including, but not limited to, misuse or improper assembly, improper maintenance (which eventually leads to rot or decay) and acts of God. Backyard Storage Solutions, LLC will not be held responsible for any labor costs incurred to construct your unit.

This warranty gives you certain specific rights that vary from state to state.

CLAIM PROCEDURE

To make a claim under this warranty, you can either call 1-888-827-9056 or email: customerservice@backyardproducts.com.

Please have ready the information below when you call or include the information in your email:

1. The model and size of the product.
2. A list of the part(s) for which the claim is made.
3. Proof of purchase of the Backyard Storage Solutions, LLC item, as shown on the original invoice or receipt.
4. Run code: found on exterior product label or assembly instructions enclosed in the product package.

All other inquiries can be mailed to:

Backyard Storage Solutions, LLC
Attn: Customer Service
1000 Ternes
Monroe, MI 48162

***WARRANTY TERMS MAY VARY OUTSIDE THE U.S.A.**

IMPORTANT: This is your warranty certificate.

10Y MV LDR: 3/20/2019