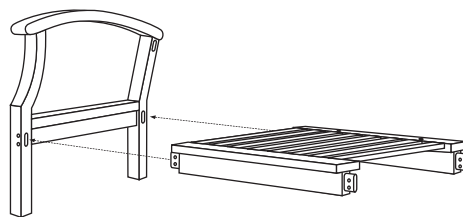
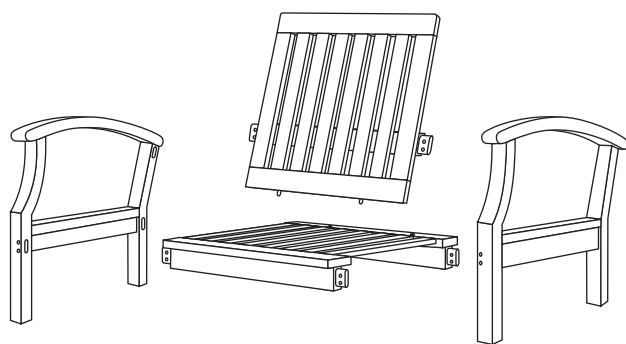
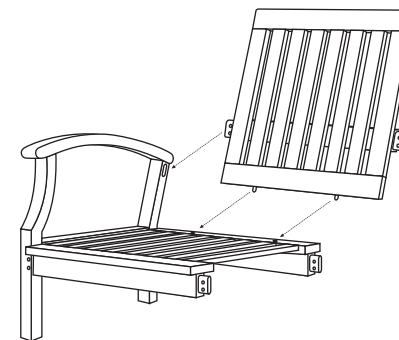


Manual Instruction For Sevilla Club Chair

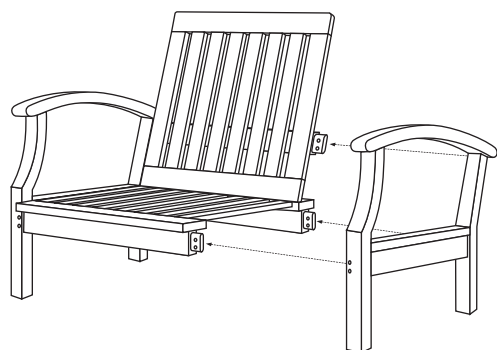
The Component For Sevilla Club Chair



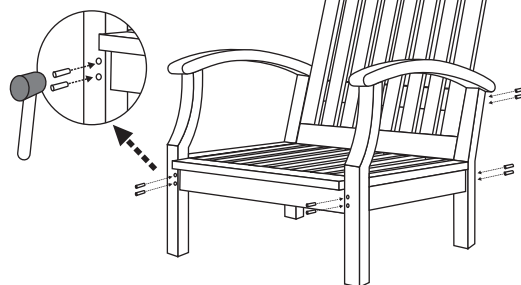
Step 1 : Please install the seat of bench to one of leg



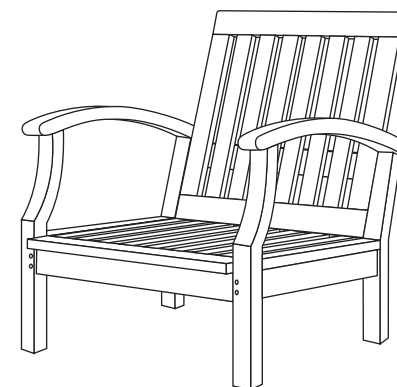
Step 2 : Please install the back of bench to step 1

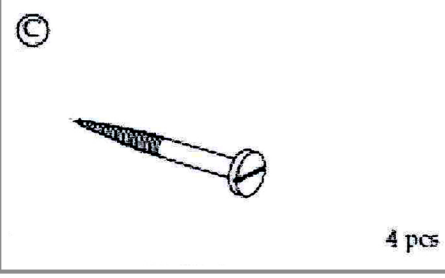
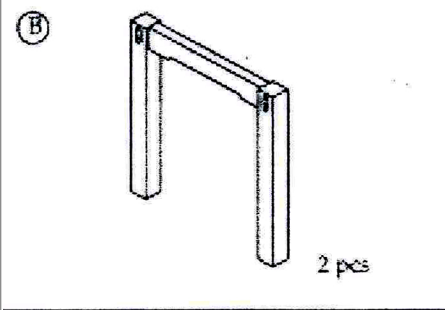
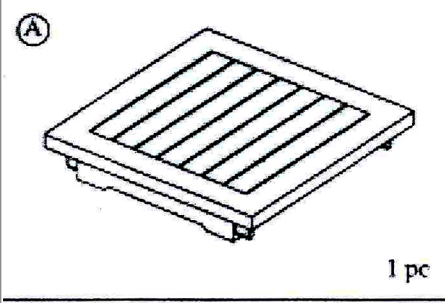
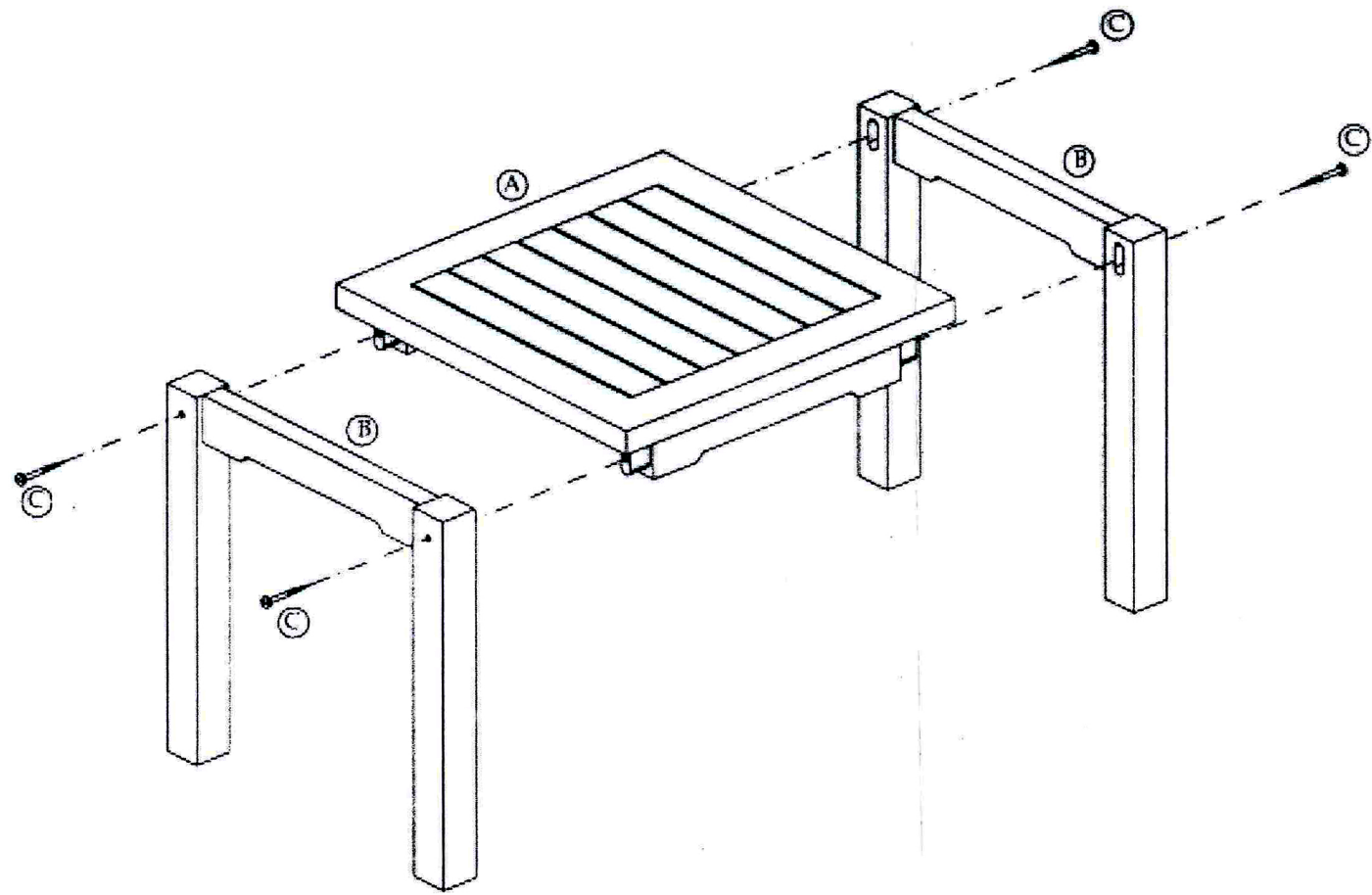


Step 3 : Please install the other leg to step 2



Step 4 : Please instal the dowels to hole that available.





SQUARE TABLE 50 CM

QG-TK047

50
 50
 50
 m³ 0.05
 (cm)